



US00D820045S

(12) **United States Design Patent** (10) **Patent No.:** **US D820,045 S**
Harrington, III et al. (45) **Date of Patent:** **** Jun. 12, 2018**

(54) **CUP**

OTHER PUBLICATIONS

(71) Applicant: **SIC PRODUCTS LLC**, Naples, FL (US)

(72) Inventors: **Robert H Harrington, III**, Jacksonville, FL (US); **Erik D Howe**, Naples, FL (US)

(73) Assignee: **SIC PRODUCTS, LLC**, Naples, FL (US)

(**) Term: **15 Years**

(21) Appl. No.: **29/572,944**

(22) Filed: **Aug. 1, 2016**

(51) **LOC (11) Cl.** **07-01**

(52) **U.S. Cl.**
USPC **D7/511**

(58) **Field of Classification Search**
USPC D7/392.1, 396.2, 509-511, 538, 619.1;
D9/777, 778, 779, 780; D34/1
CPC A47G 19/22; A47G 19/2216
See application file for complete search history.

(56) **References Cited**

U.S. PATENT DOCUMENTS

| | | | | |
|-------------------|---------|---------|-------|-------------------------|
| D536,213 S * | 2/2007 | Schuler | | D7/392.1 |
| D690,988 S * | 10/2013 | Audette | | D7/392.1 |
| D729,581 S * | 5/2015 | Boroski | | D7/510 |
| D751,341 S * | 3/2016 | Seiders | | D7/396.2 |
| D761,619 S * | 7/2016 | Seiders | | D7/392.1 |
| 2015/0250340 A1 * | 9/2015 | Liu | | B65D 43/02 220/254.9 |
| 2017/0121074 A1 * | 5/2017 | Seiders | | A47G 19/2272 |

Yeti Tumbler | posted at Amazon.com, review posted on Feb. 12, 2014, © 1996-2018 Amazon.com, [online], [site visited Mar. 5, 2018]. Available from Internet, <URL: https://www.amazon.com/YETI-Rambler-Stainless-Insulated-Tumbler/dp/B00JP9AJC6/ref=sr_1_4?ie=UTF8&qid=1523654464&sr=8-4&keywords=yeti+tumbler> (Year: 2014).*
Chillout Life Tumbler | posted at Amazon.com, posted on Jul. 5, 2016, © 1996-2018 Amazon.com, [online], [site visited Mar. 14, 2018]. Available from Internet, <URL: https://www.amazon.com/dp/B07913JDHM/> (Year: 2016).*

* cited by examiner

Primary Examiner — Daniel D Bui

Assistant Examiner — Andrew Kerr

(74) *Attorney, Agent, or Firm* — Bond, Schoeneck & King, PLLC

(57) **CLAIM**

The ornamental design for a cup, as shown and described.

DESCRIPTION

FIG. 1 is a perspective view of a cup, showing our new design;

FIG. 2 is a reverse side view of the cup shown in FIG. 1;

FIG. 3 is a front side view of the cup shown in FIG. 1;

FIG. 4 is a left side view of the cup shown in FIG. 1;

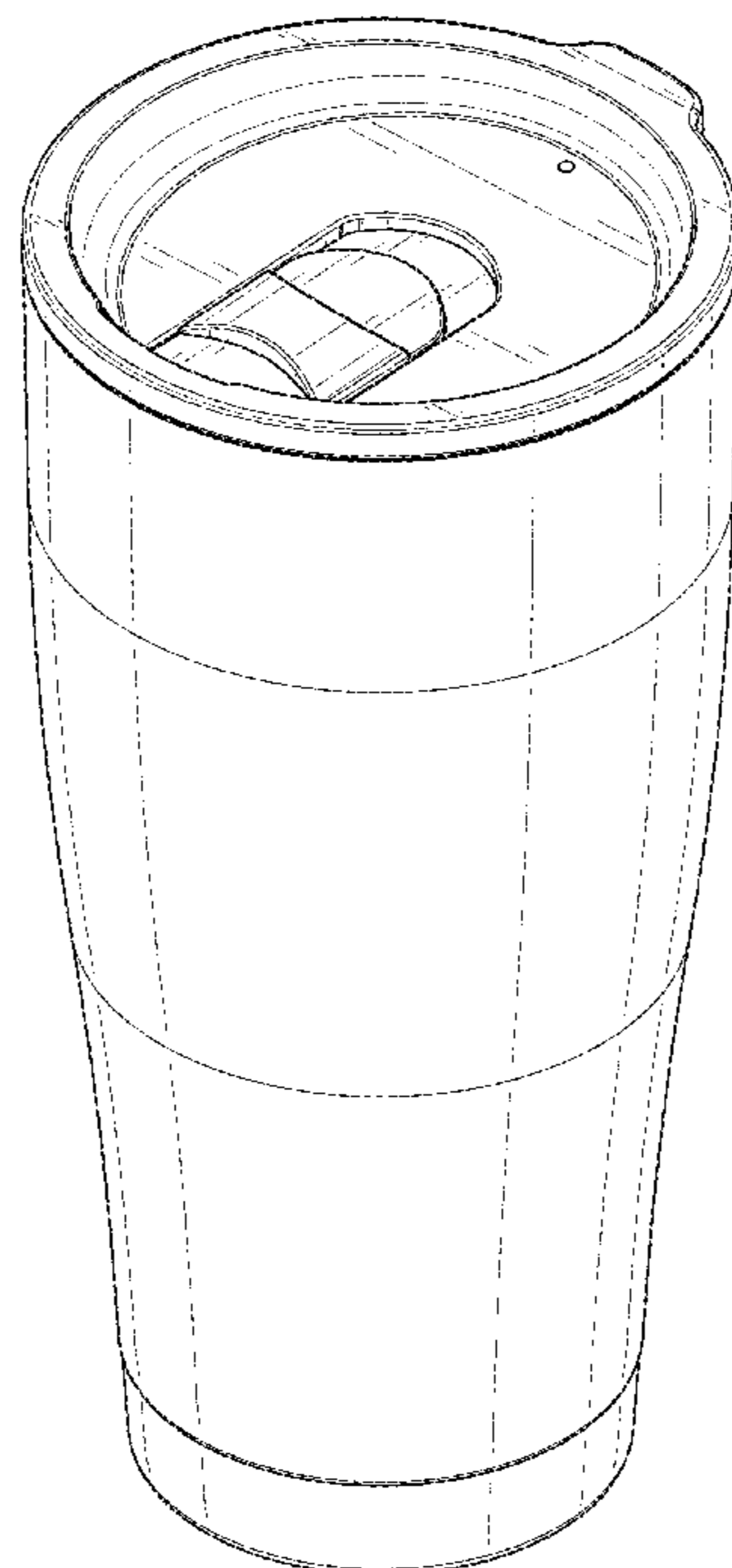
FIG. 5 is a right side view of the cup shown in FIG. 1;

FIG. 6 is a top view of the cup shown in FIG. 1; and,

FIG. 7 is a bottom view of the cup shown in FIG. 1.

The broken line showing of portions of the cup is for the purpose of illustrating unclaimed environmental structure only and forms no part of the claimed design.

1 Claim, 7 Drawing Sheets



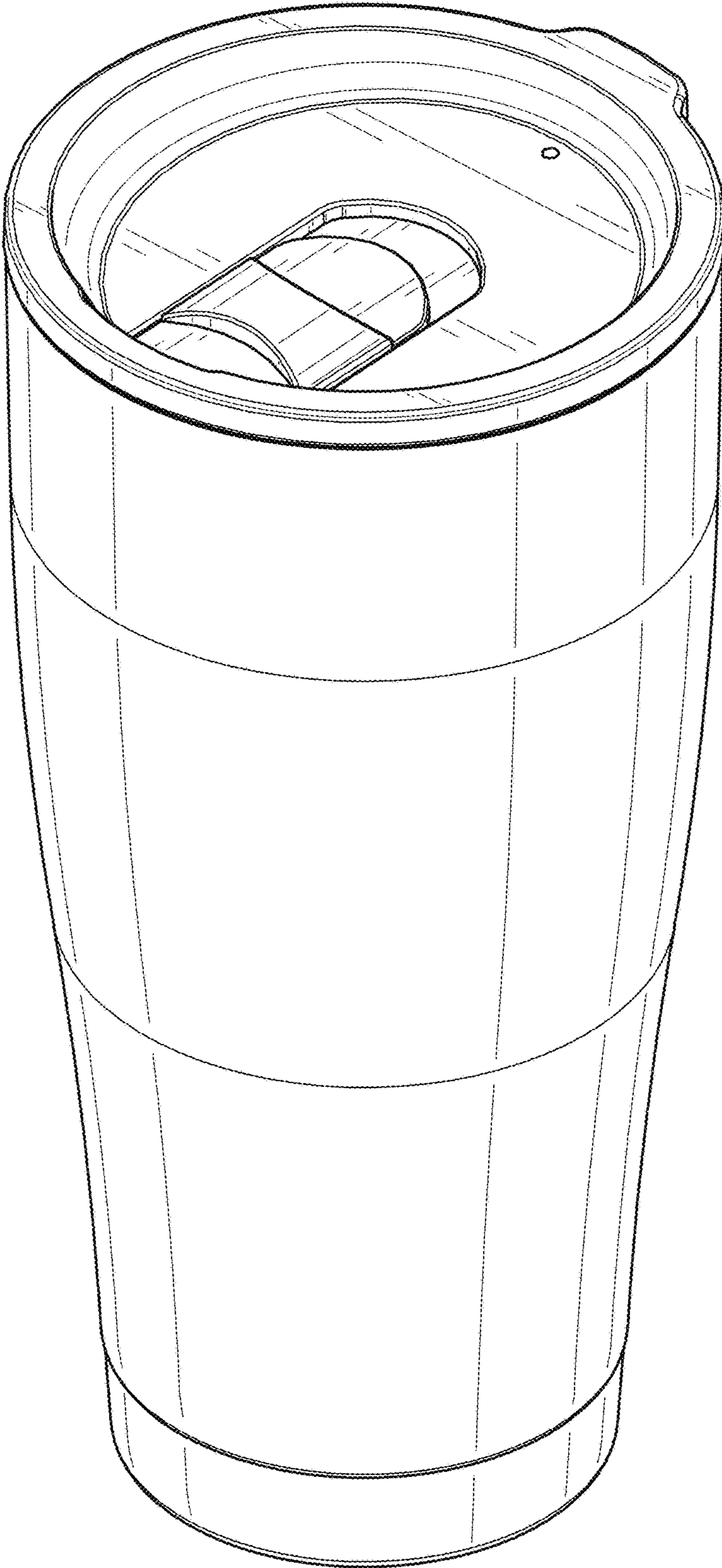


FIG. 1

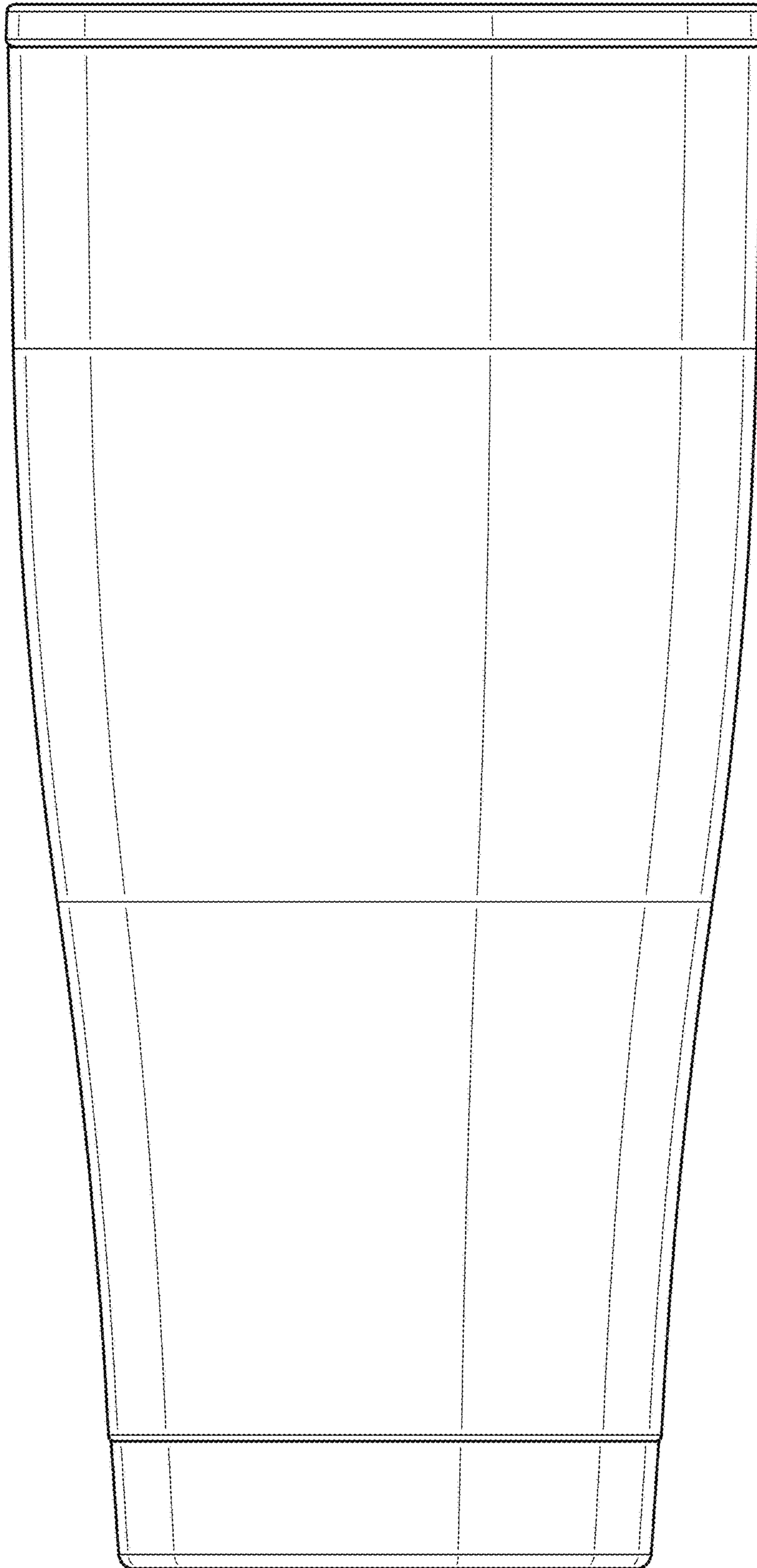


FIG. 2

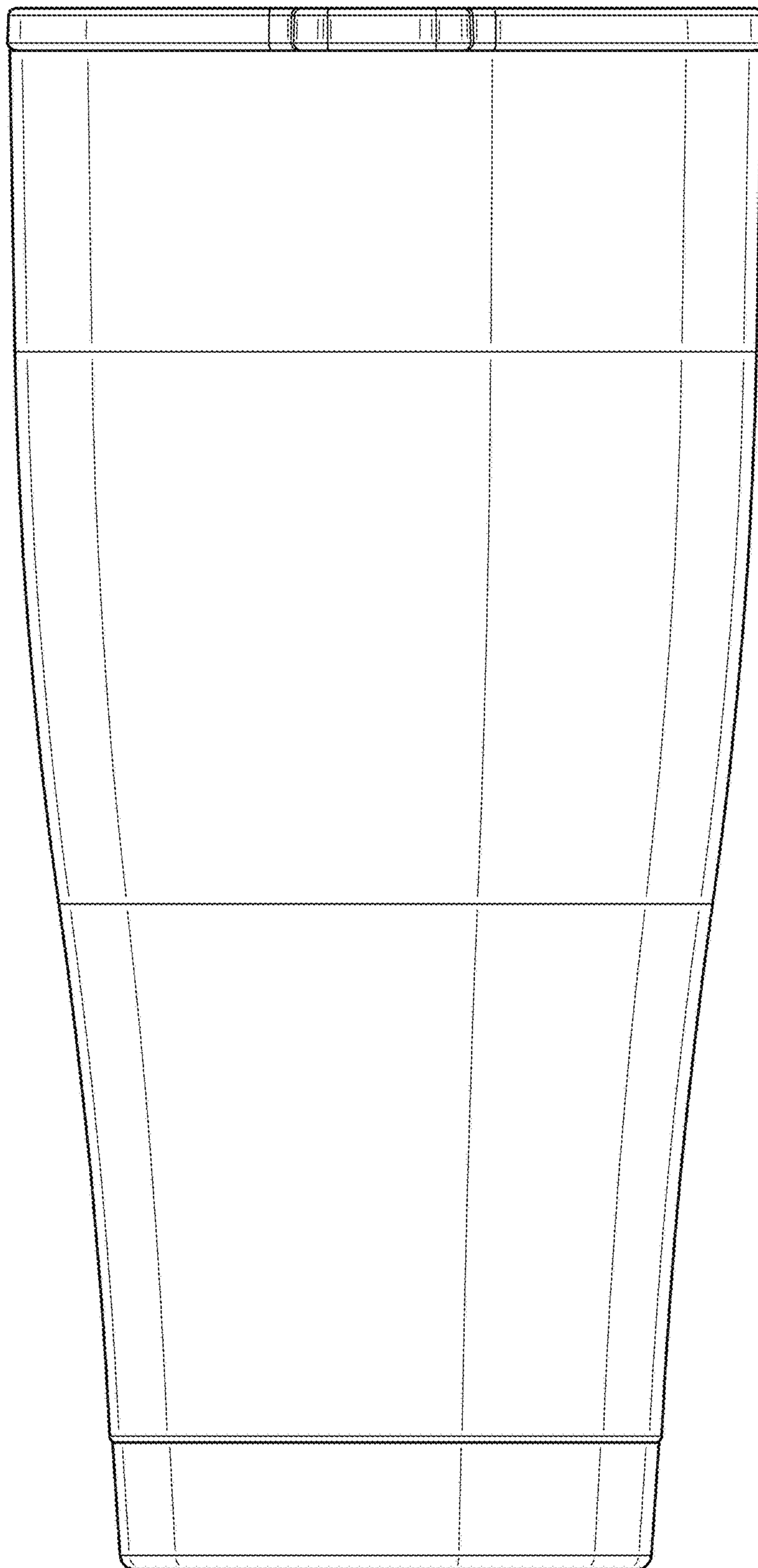


FIG. 3

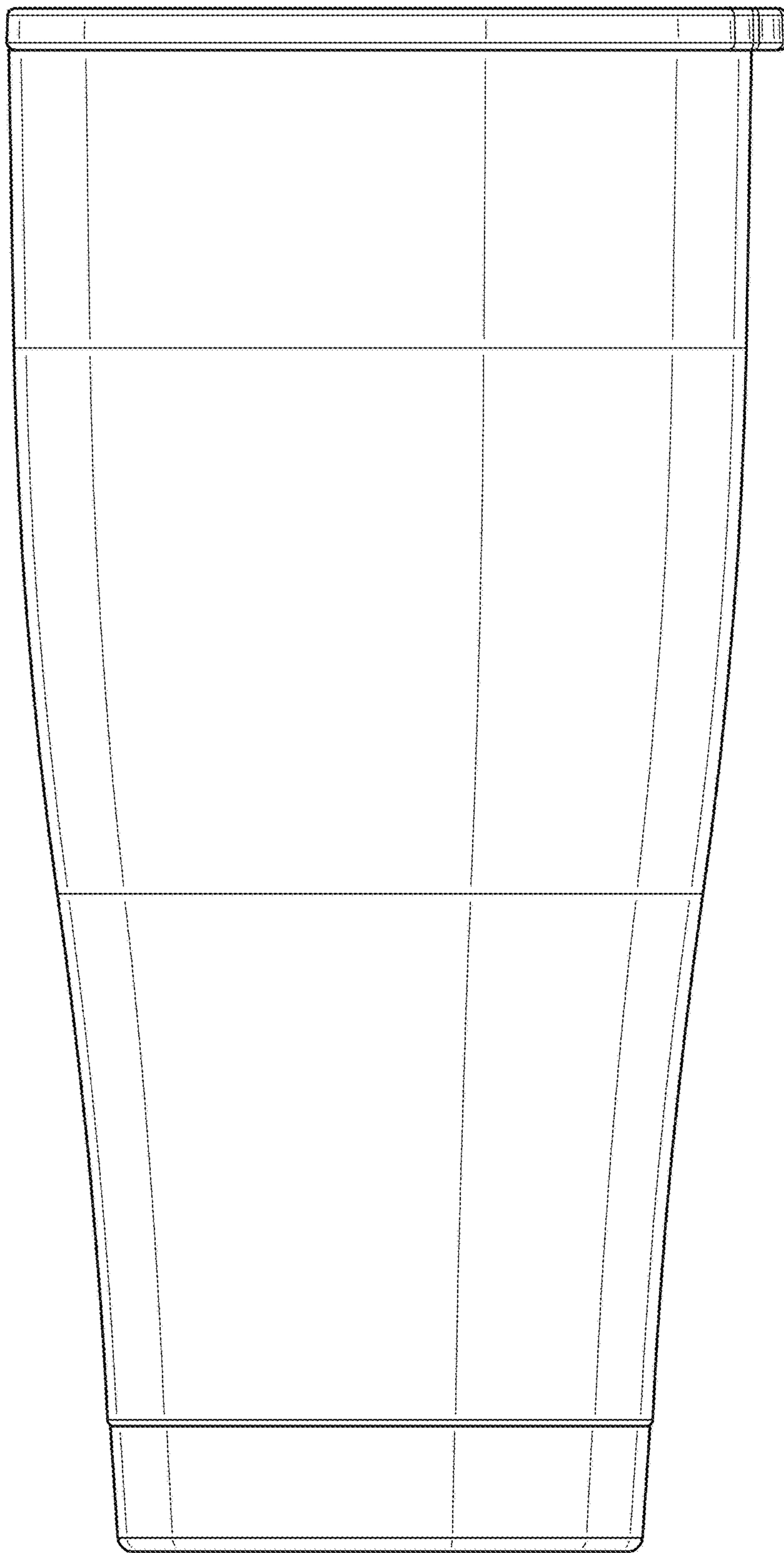


FIG. 4

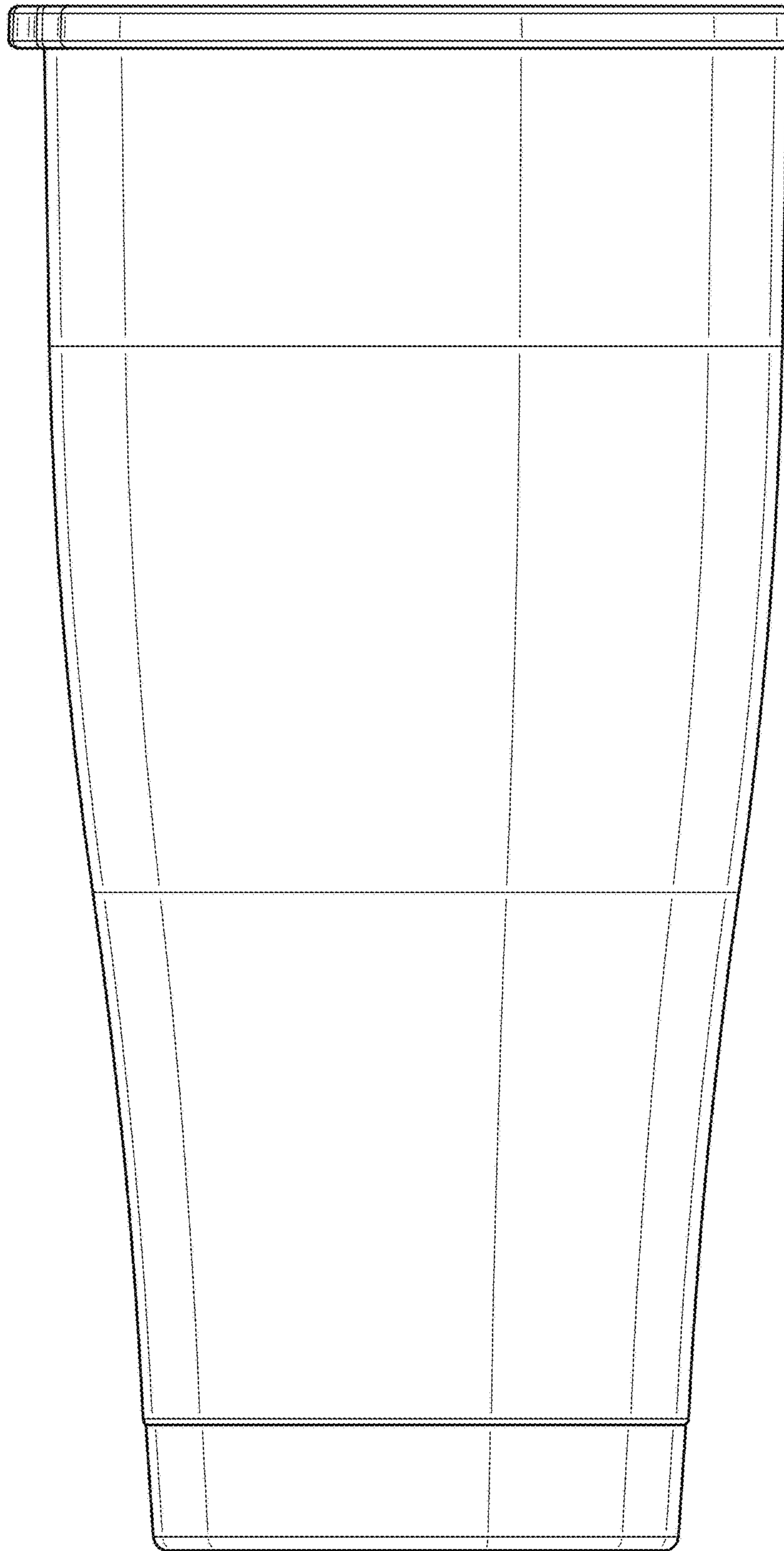


FIG. 5

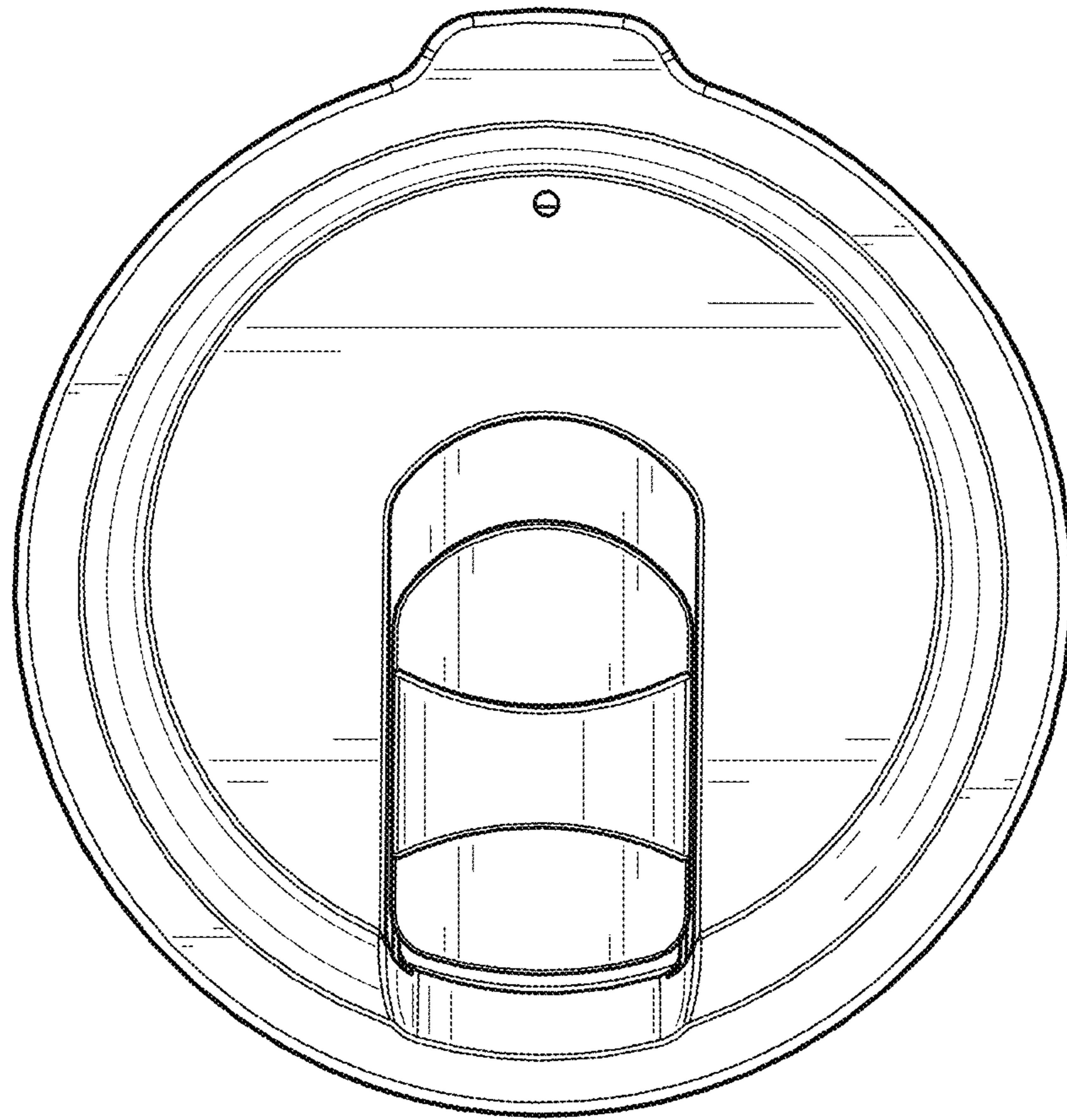


FIG. 6

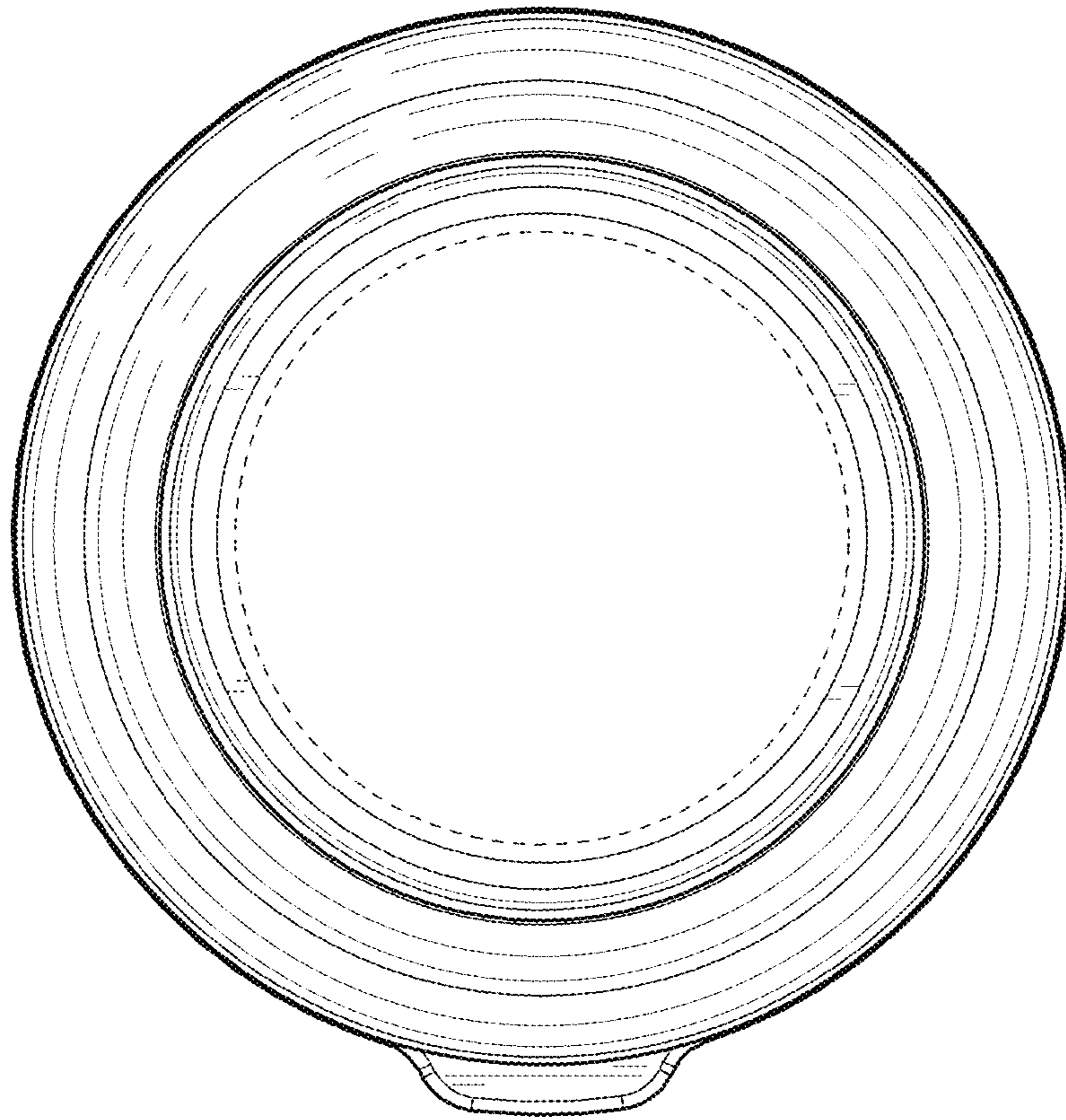


FIG. 7