



US00D820043S

(12) **United States Design Patent**
Leslie-Shattenkirk

(10) **Patent No.:** **US D820,043 S**
(45) **Date of Patent:** **** Jun. 12, 2018**

(54) **WATER BOTTLE**

(71) Applicant: **Sharon Terry Leslie-Shattenkirk**, New Orleans, LA (US)

(72) Inventor: **Sharon Terry Leslie-Shattenkirk**, New Orleans, LA (US)

(**) Term: **15 Years**

(21) Appl. No.: **29/617,320**

(22) Filed: **Sep. 13, 2017**

D490,652 S *	6/2004	Xiong	D7/510
D505,831 S *	6/2005	Liu	D7/510
D560,097 S *	1/2008	Shen	D7/300
D570,648 S *	6/2008	Bodum	D7/509
D570,687 S *	6/2008	Kelders	D9/500
D580,066 S *	11/2008	Tilbury	D24/197
D606,661 S *	12/2009	Colombo	D24/197
D607,748 S *	1/2010	Schmidt	D9/721
D627,602 S *	11/2010	Eyal	D7/510
D639,114 S *	6/2011	Swinford	D7/396.2
D639,663 S *	6/2011	Llerena	D9/504
D656,823 S *	4/2012	Kriegel	D9/454
D683,184 S *	5/2013	Lin	D7/316
D700,014 S *	2/2014	Zeanah	D7/510
D709,322 S *	7/2014	Ross	D7/399
D709,329 S *	7/2014	Ross	D7/507

(Continued)

Related U.S. Application Data

(63) Continuation of application No. 15/666,788, filed on Aug. 2, 2017.

(51) **LOC (11) Cl.** **07-01**

(52) **U.S. Cl.**
USPC **D7/507**; D7/510; D7/511; D7/523

(58) **Field of Classification Search**
USPC D7/507, 509, 510, 511, 523, 532, 527, D7/531, 392.1, 396.2, 397, 398, 514, 515; D9/500, 651, 501, 504, 503, 505, 569; 220/592.16, 592.17; 215/381
CPC A47G 19/22; A47G 19/2205; A47G 19/2266; A47J 41/02; B65D 47/066
See application file for complete search history.

(56) **References Cited**

U.S. PATENT DOCUMENTS

D160,876 S *	11/1950	Mesi	D7/596
D289,143 S *	4/1987	Guillaume	D9/445
D320,347 S *	10/1991	Lucarelli	D9/414
D320,469 S *	10/1991	Hoenig	D28/7
5,282,541 A *	2/1994	Chen	A47G 19/2266
				215/12.1
D362,598 S *	9/1995	Kibbe	D7/678
D376,979 S *	12/1996	Davidson, III	D9/504
D469,664 S *	2/2003	Marks	D7/608

Primary Examiner — Marianne Pandozzi
Assistant Examiner — Jae Liang

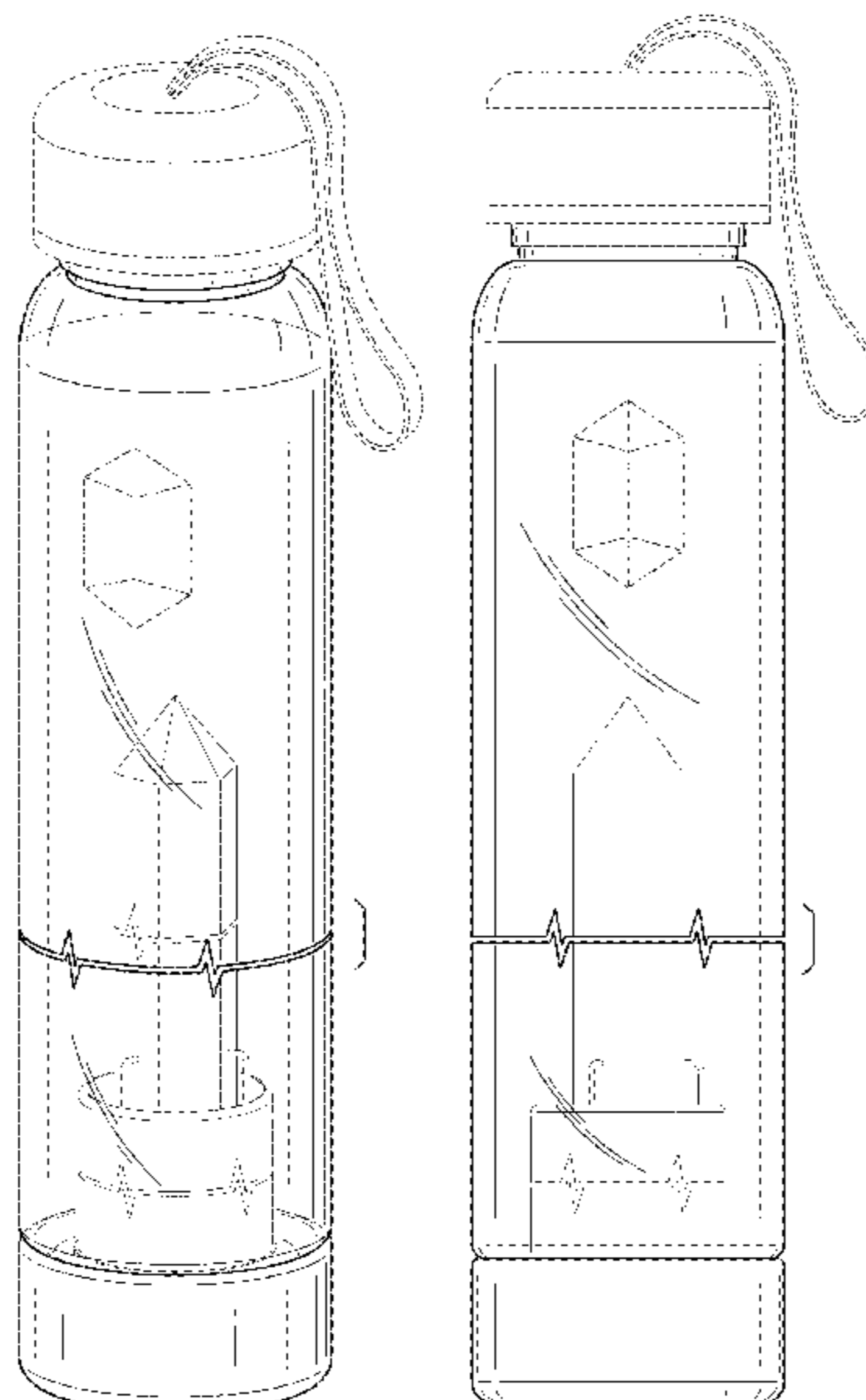
(57) **CLAIM**

The ornamental design for a water bottle, as shown and described.

DESCRIPTION

FIG. 1 is a front perspective view of a water bottle showing my new design;
FIG. 2 is a front elevational view thereof;
FIG. 3 is a rear elevational view thereof;
FIG. 4 is a left side elevational view thereof;
FIG. 5 is a right side elevational view thereof;
FIG. 6 is a top plan view thereof;
FIG. 7 is a bottom plan view thereof; and,
FIG. 8 is an exploded view of thereof.
The broken lines shown in the drawings depict portions of the water bottle that form no part of the claimed design. The water bottle, crystal, and crystal holder are shown with a symbolic break in their length. The appearance of any portion of the article between the break lines forms no part of the claimed design.

1 Claim, 4 Drawing Sheets



(56)

References Cited

U.S. PATENT DOCUMENTS

D722,113	S *	2/2015	Knight	D20/8
D726,498	S *	4/2015	Bukhari	D7/510
D726,499	S *	4/2015	Kim	D7/510
9,010,953	B1 *	4/2015	Wells	F21V 33/0056 362/101
D731,244	S *	6/2015	Kohl	D7/510
D741,655	S *	10/2015	Whelan	D7/300.1
D747,619	S *	1/2016	Hampton	D7/316
D753,442	S *	4/2016	Weernink	D7/507
D757,375	S *	5/2016	Salais	D30/153
D763,086	S *	8/2016	Kalagher	D9/504
D767,339	S *	9/2016	Chitayat	D7/399
D770,848	S *	11/2016	Wilson	D23/209
D776,483	S *	1/2017	Chitayat	D7/507
D778,675	S *	2/2017	Shi	D7/507
D784,765	S *	4/2017	Yao	D7/510
D788,529	S *	6/2017	Chitayat	D7/510
2009/0080180	A1 *	3/2009	Bertken	A47G 19/2227 362/101
2015/0291312	A1 *	10/2015	Kalagher	B65D 81/3227 215/6

* cited by examiner

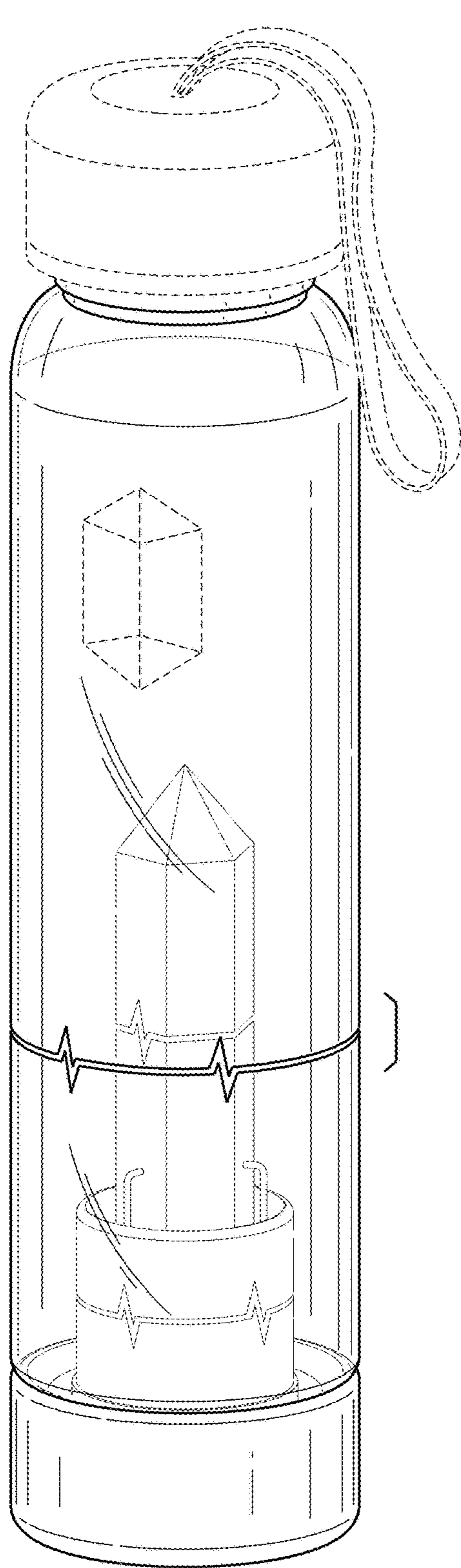


FIG. 1

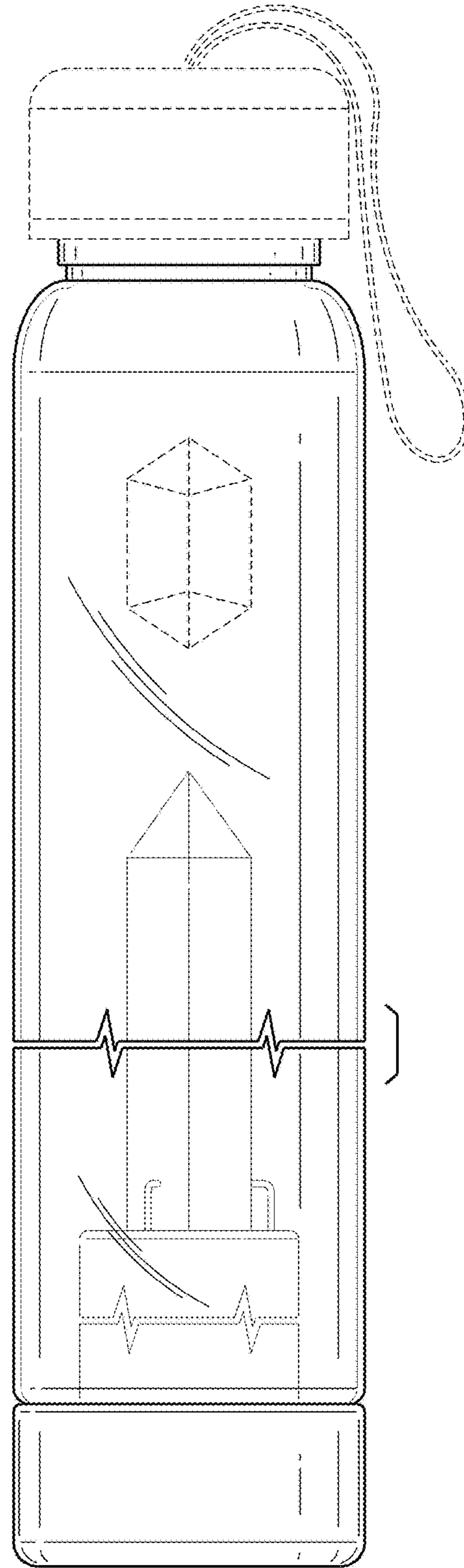


FIG. 2

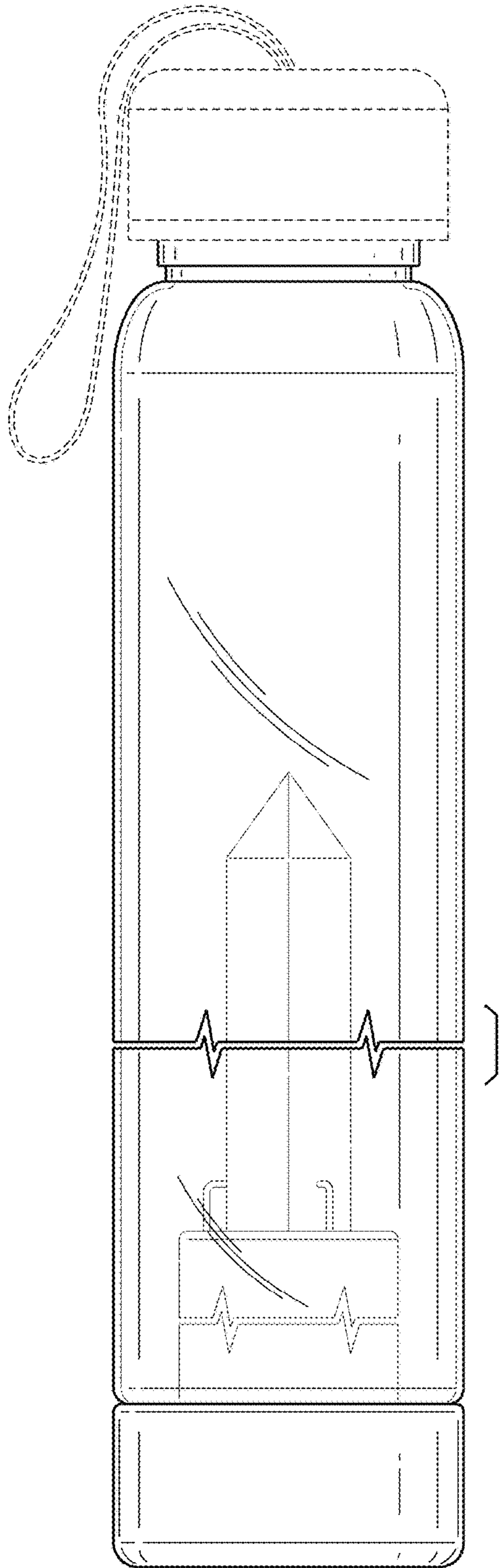


FIG. 3

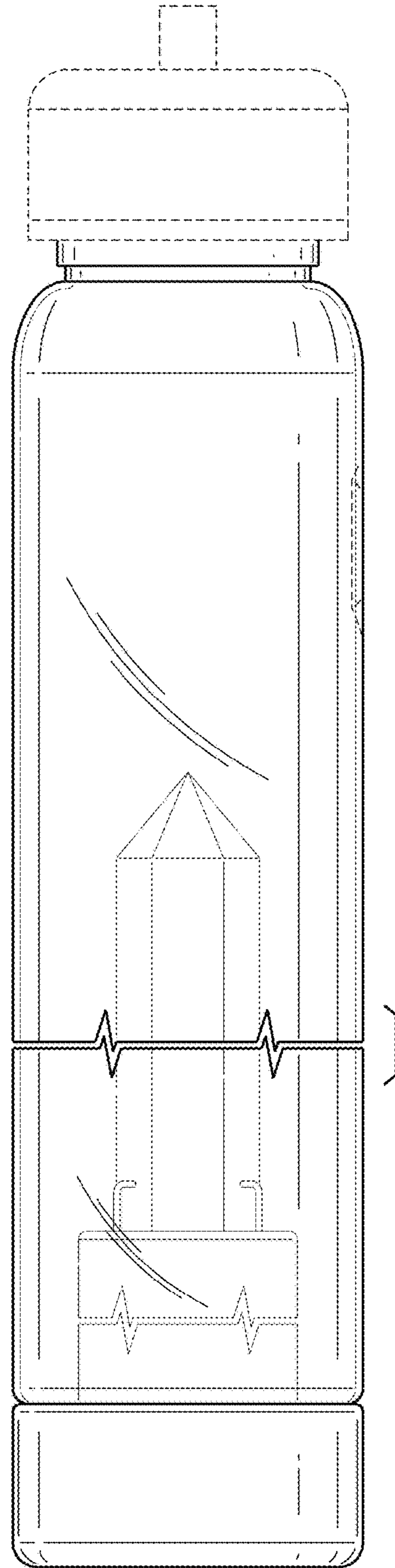


FIG. 4

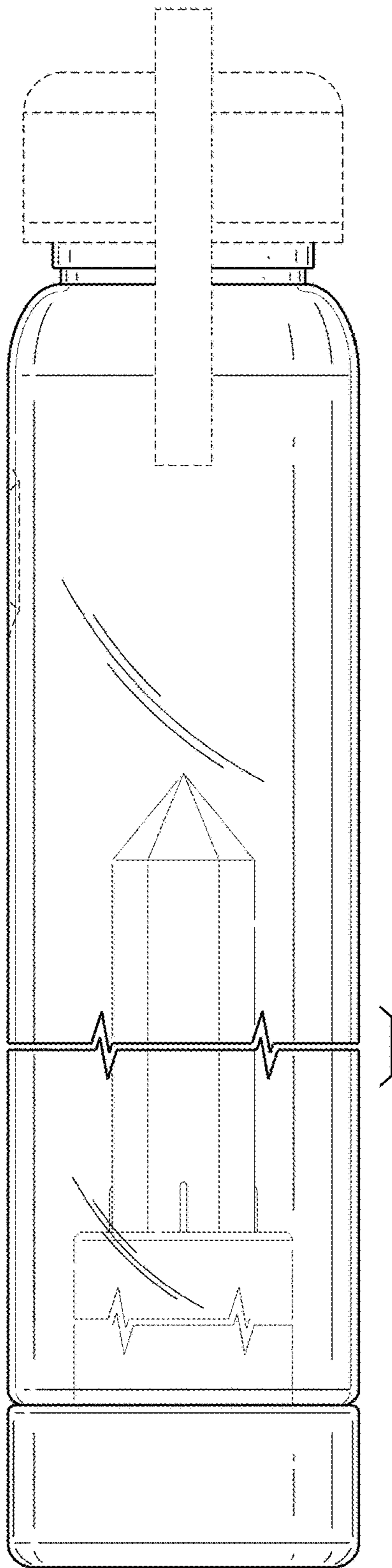


FIG. 5

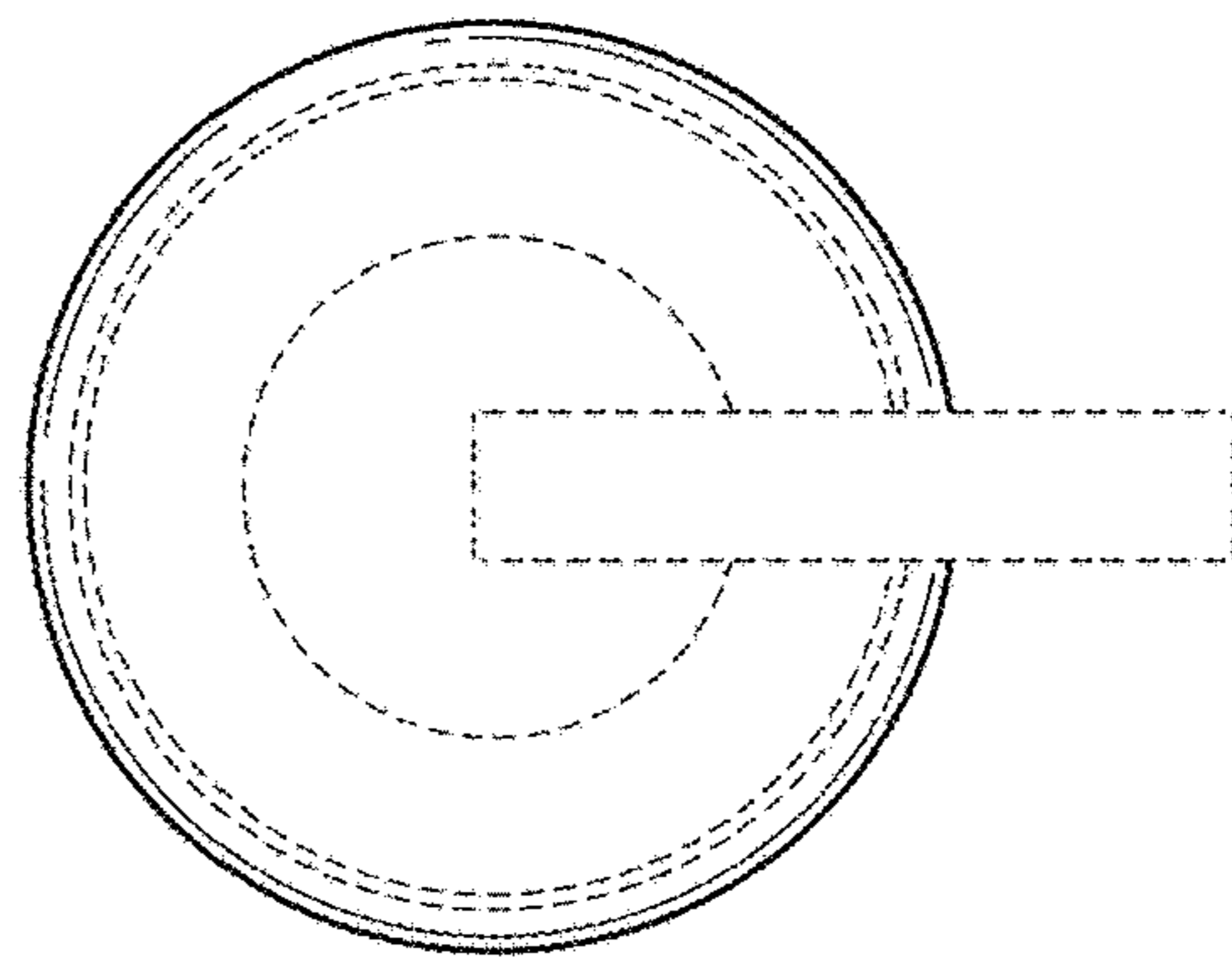


FIG. 6

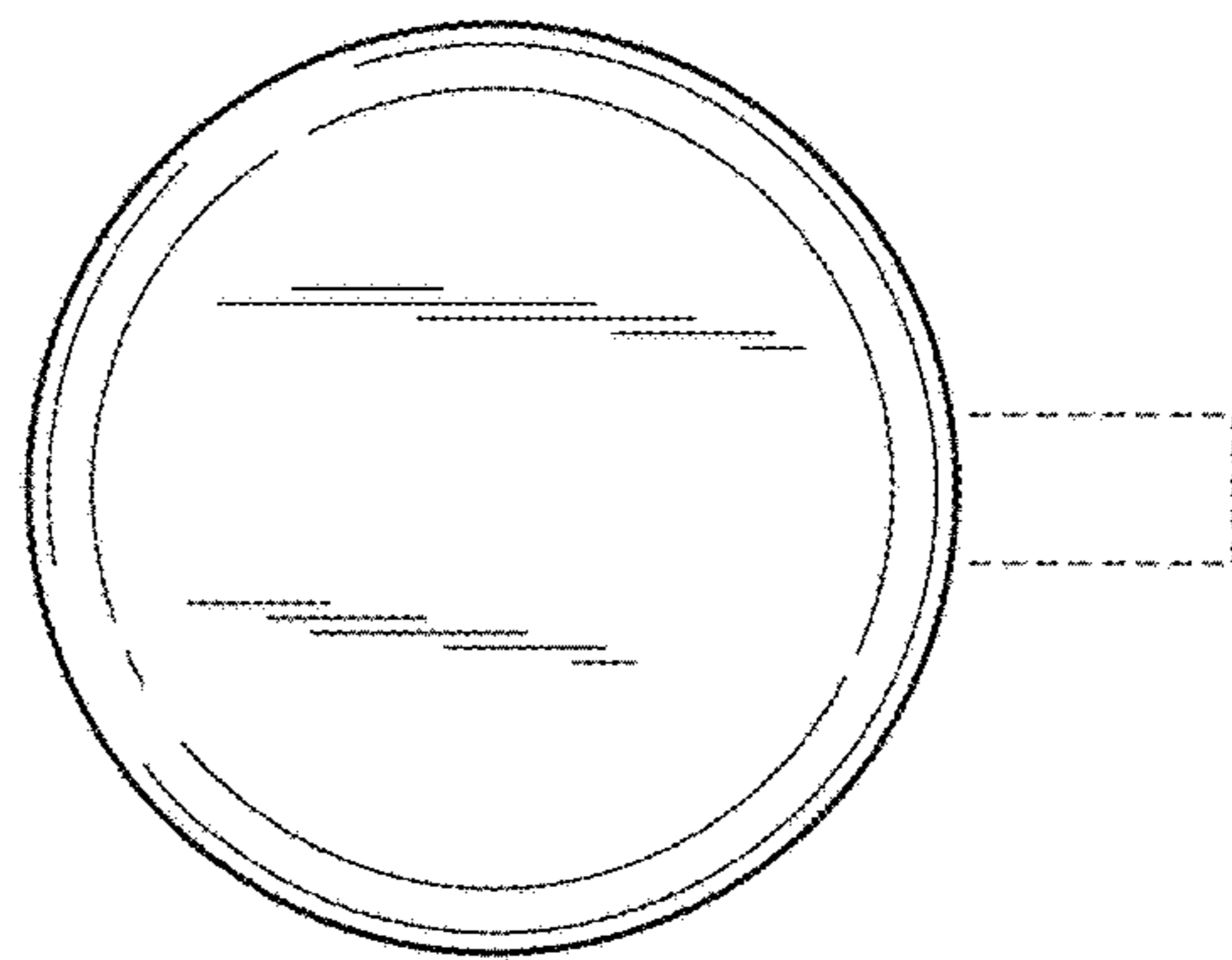


FIG. 7

