



US00D820038S

(12) **United States Design Patent**
Sorensen et al.

(10) **Patent No.:** **US D820,038 S**
(45) **Date of Patent:** **** Jun. 12, 2018**

(54) **LID FOR A CONTAINER**

(71) Applicant: **RUNWAY BLUE, LLC**, Lehi, UT (US)

(72) Inventors: **Steven M. Sorensen**, Alpine, UT (US);
David O. Meyers, East Layton, UT (US)

(73) Assignee: **Runway Blue, LLC**, Alpine, UT (US)

(**) Term: **14 Years**

(21) Appl. No.: **29/525,379**

(22) Filed: **Apr. 29, 2015**

(51) **LOC (11) Cl.** **07-99**

(52) **U.S. Cl.**
USPC **D7/392.1; D9/449; D9/443**

(58) **Field of Classification Search**
USPC **D9/429, 434-436, 439-454, 499, 600, D9/601, 614-617, 620, 623, 624, 628;**
(Continued)

(56) **References Cited**

U.S. PATENT DOCUMENTS

3,297,208 A * 1/1967 Swett B65D 25/42
222/111
D356,499 S * 3/1995 Cautereels D9/434
(Continued)

OTHER PUBLICATIONS

Examiner's Report from Canadian Patent Application No. 164984 dated Jan. 29, 2016.
U.S. Appl. No. 13/633,864, filed Oct. 2, 2012, Sorensen, et al.

Primary Examiner — Karen S Acker
Assistant Examiner — Wendy L Arminio

(74) *Attorney, Agent, or Firm* — Maschoff Brennan

(57) **CLAIM**

The ornamental design for a lid for a container, as shown and described.

DESCRIPTION

FIG. 1 is an upper perspective view of a lid for a container, illustrating the lid in a closed position and attached to an unclaimed container;

FIG. 2 is an upper perspective view of the lid for a container shown in FIG. 1;

FIG. 3 is a front view of the lid for a container shown in FIG. 1;

FIG. 4 is a back view of the lid for a container shown in FIG. 1;

FIG. 5 is a right side view of the lid for a container shown in FIG. 1;

FIG. 6 is a left side view of the lid for a container shown in FIG. 1;

FIG. 7 is a top view of the lid for a container shown in FIG. 1;

FIG. 8 is a bottom view of the lid for a container shown in FIG. 1;

FIG. 9 is an upper perspective view of the lid for a container shown in FIG. 1, illustrating the lid in an open position;

FIG. 10 is a front view of the lid for a container shown in FIG. 9;

FIG. 11 is a back view of the lid for a container shown in FIG. 9;

FIG. 12 is a right side view of the lid for a container shown in FIG. 9;

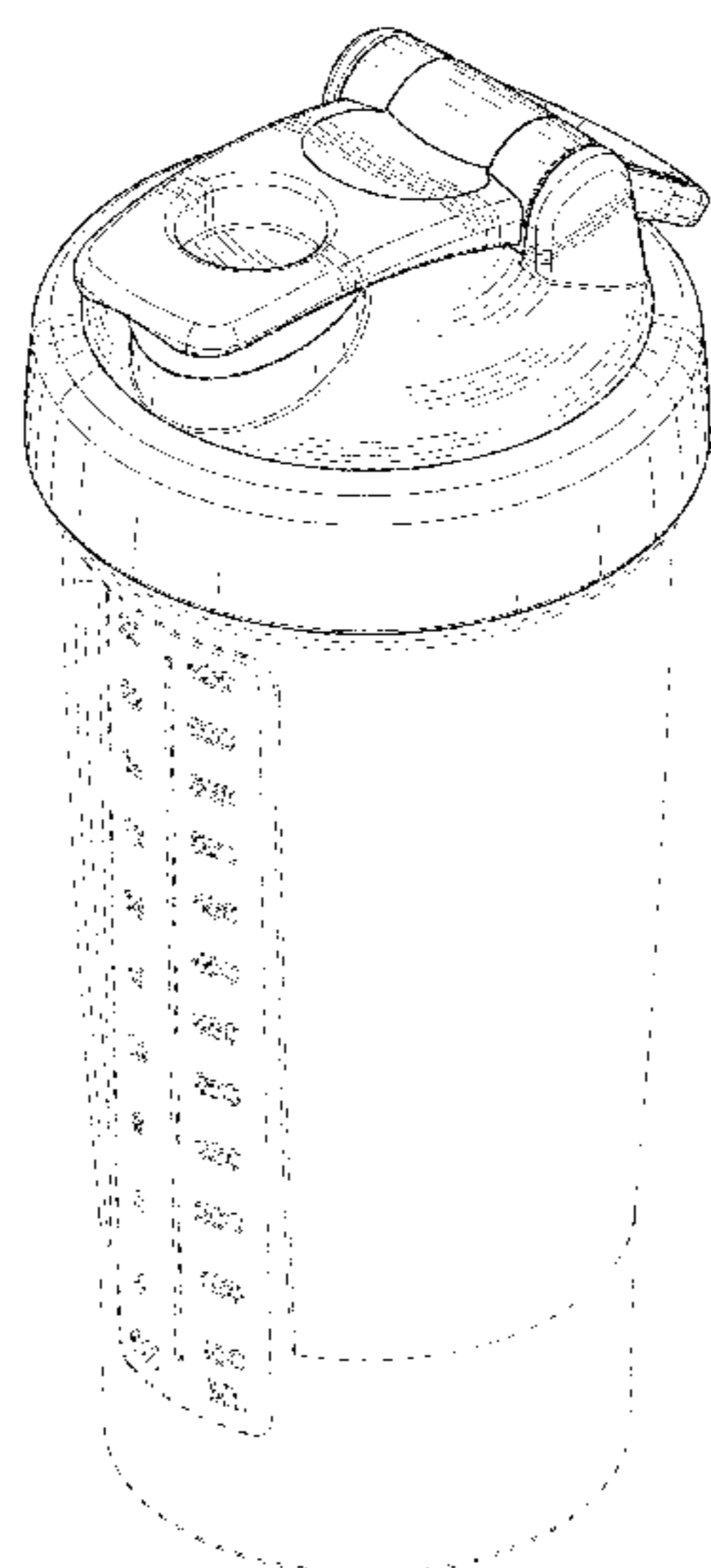
FIG. 13 is a left side view of the lid for a container shown in FIG. 9;

FIG. 14 is a top view of the lid for a container shown in FIG. 9; and,

FIG. 15 is a bottom view of the lid for a container shown in FIG. 9.

The broken lines showing a container in FIG. 1 depict environment and form no part of the claimed design. All other broken lines in the figures illustrate portions of the lid for a container that form no part of the claimed design.

1 Claim, 13 Drawing Sheets



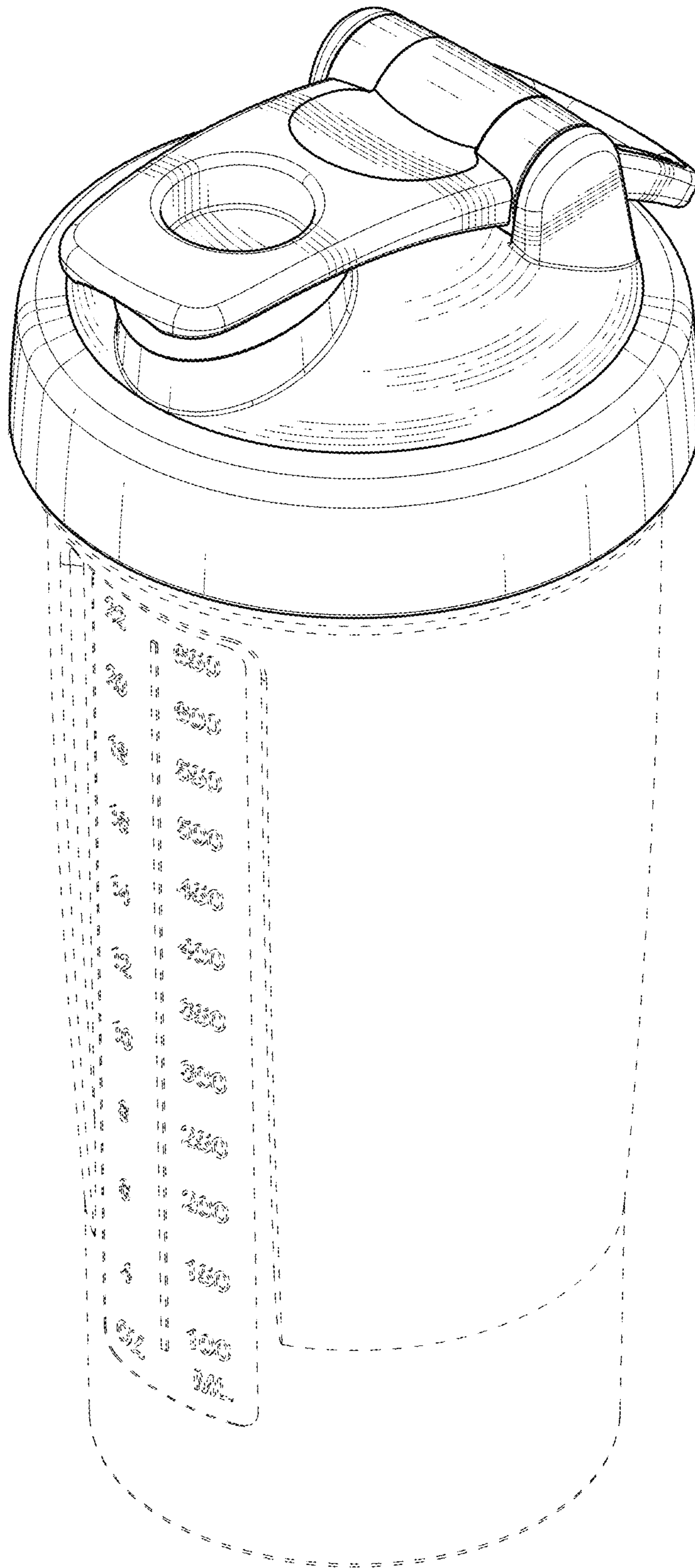


Fig. 1

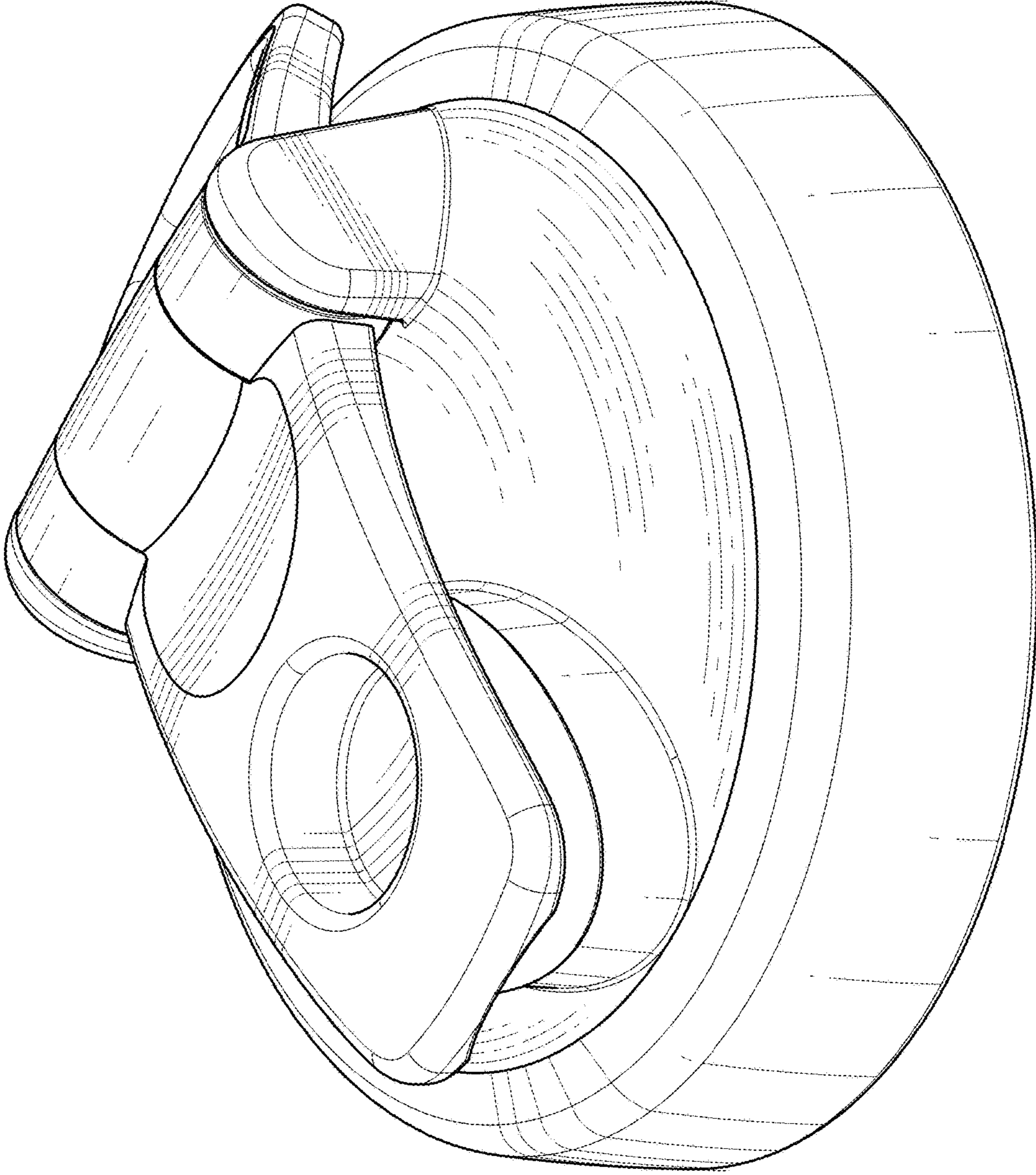


Fig. 2

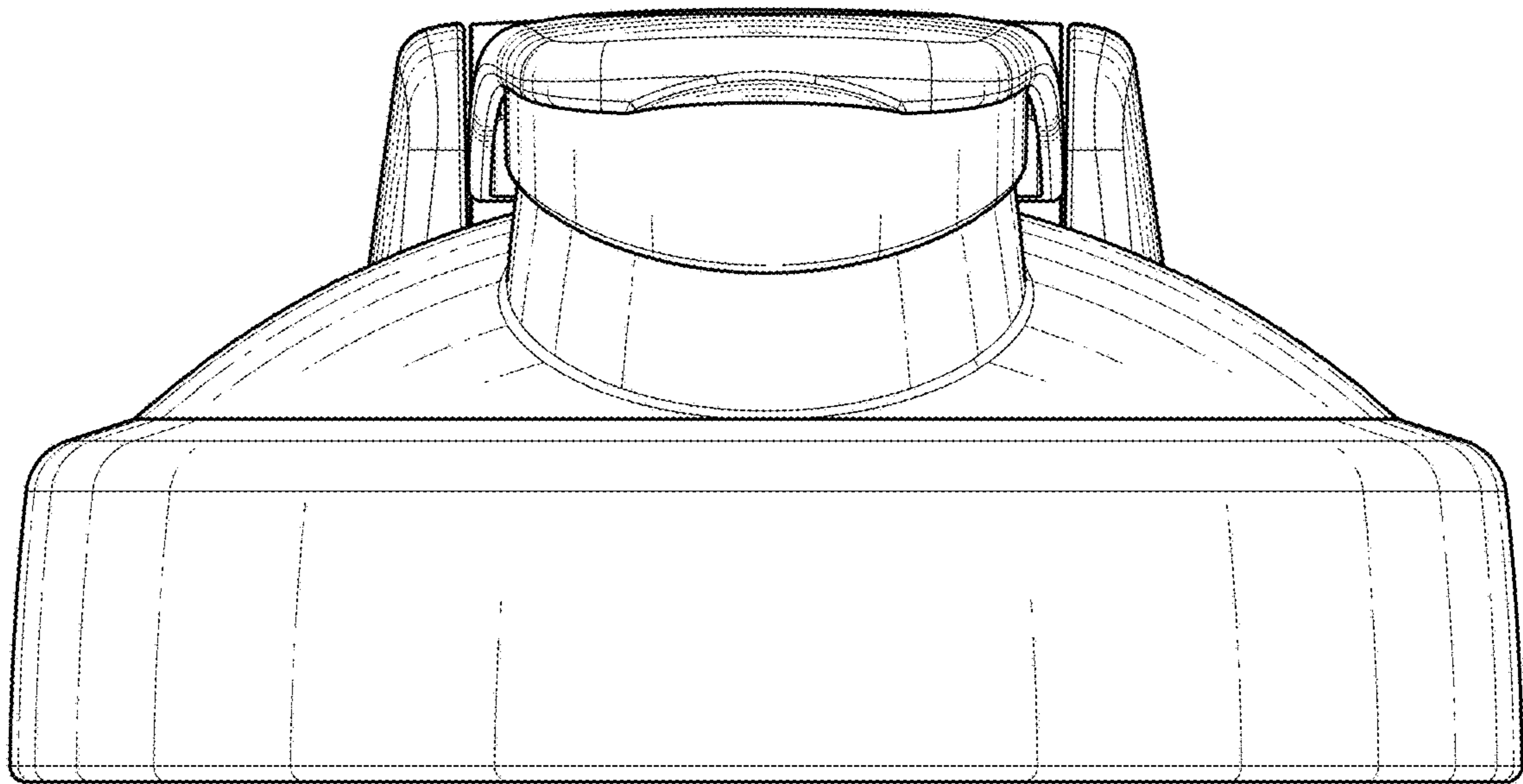


Fig. 3

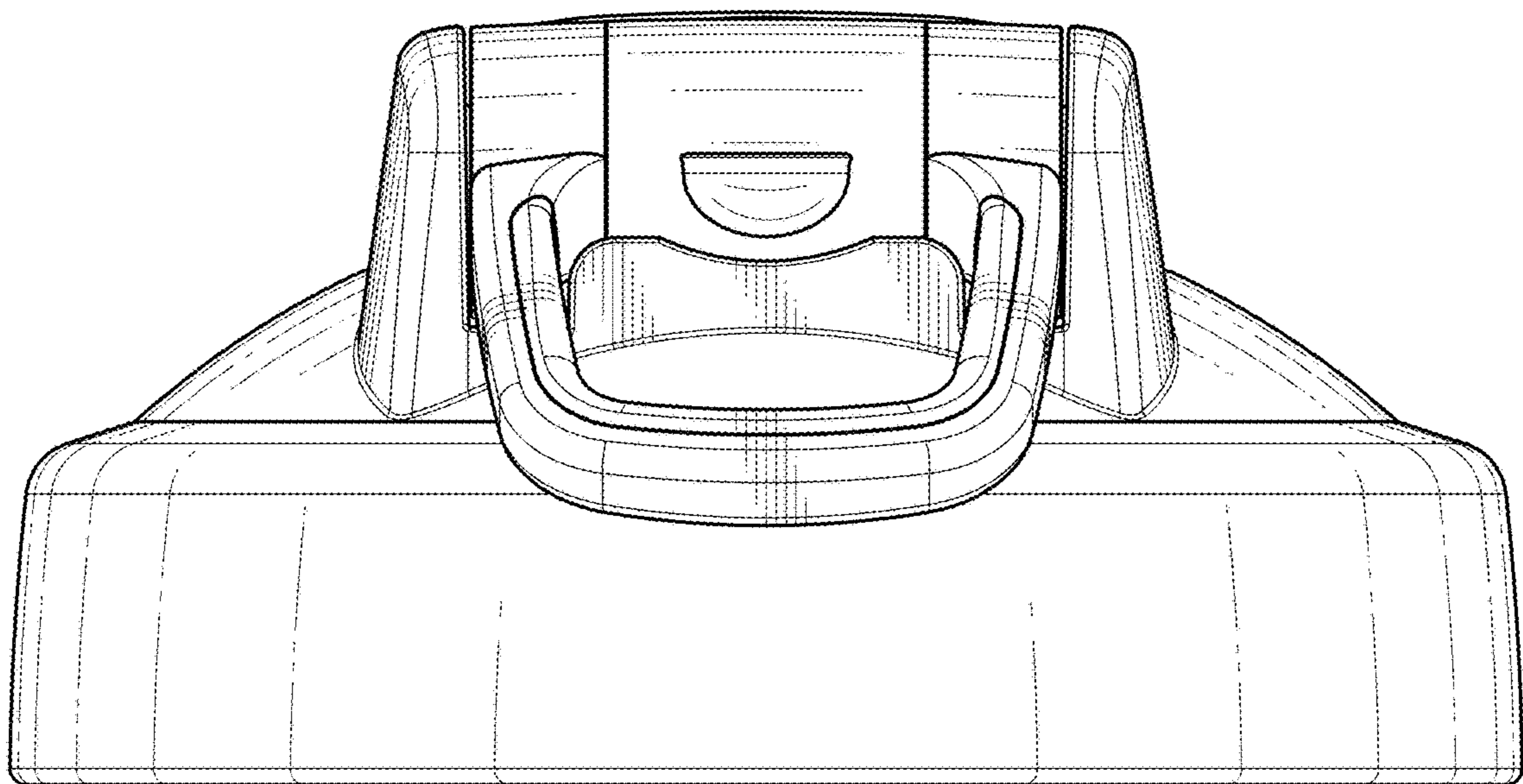


Fig. 4

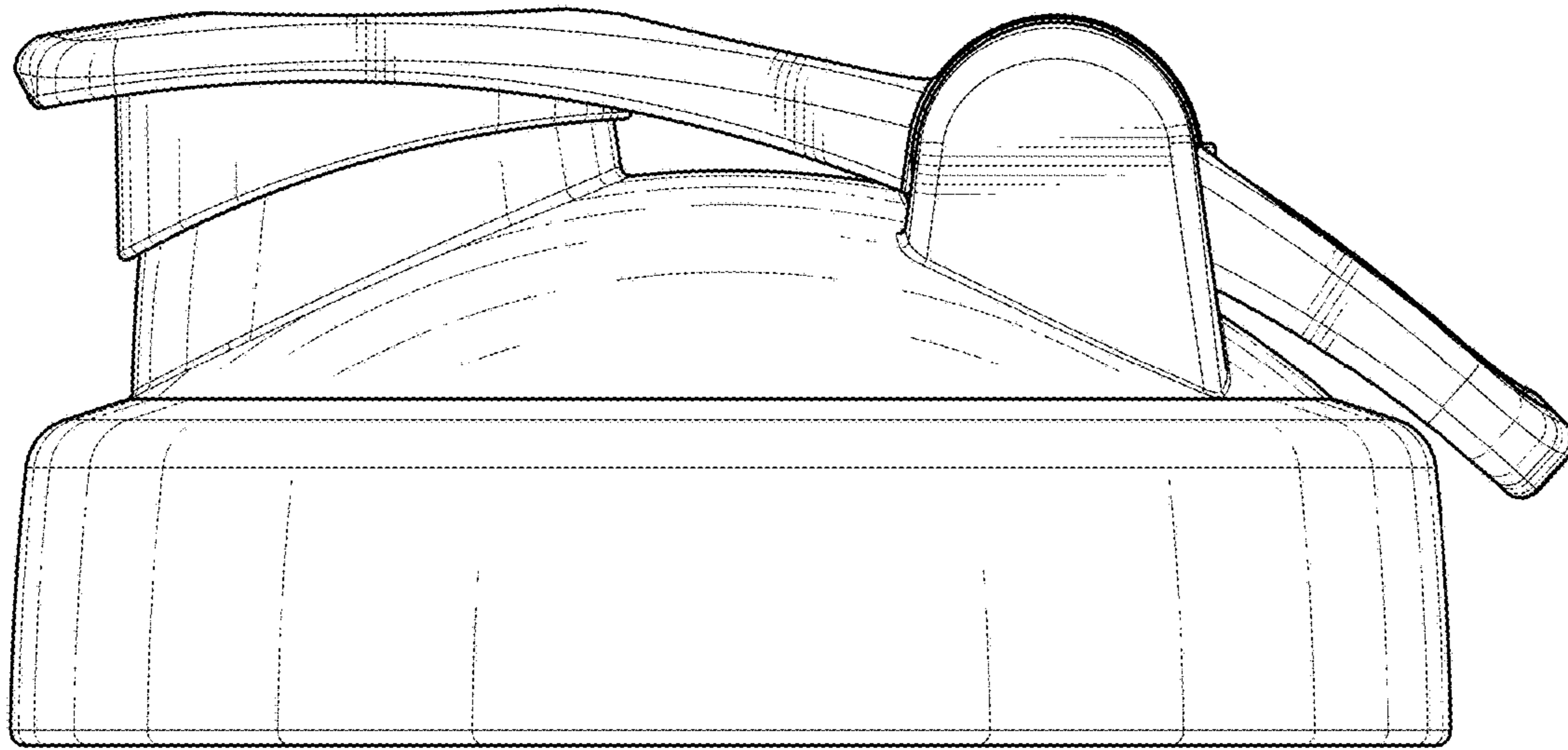


Fig. 5

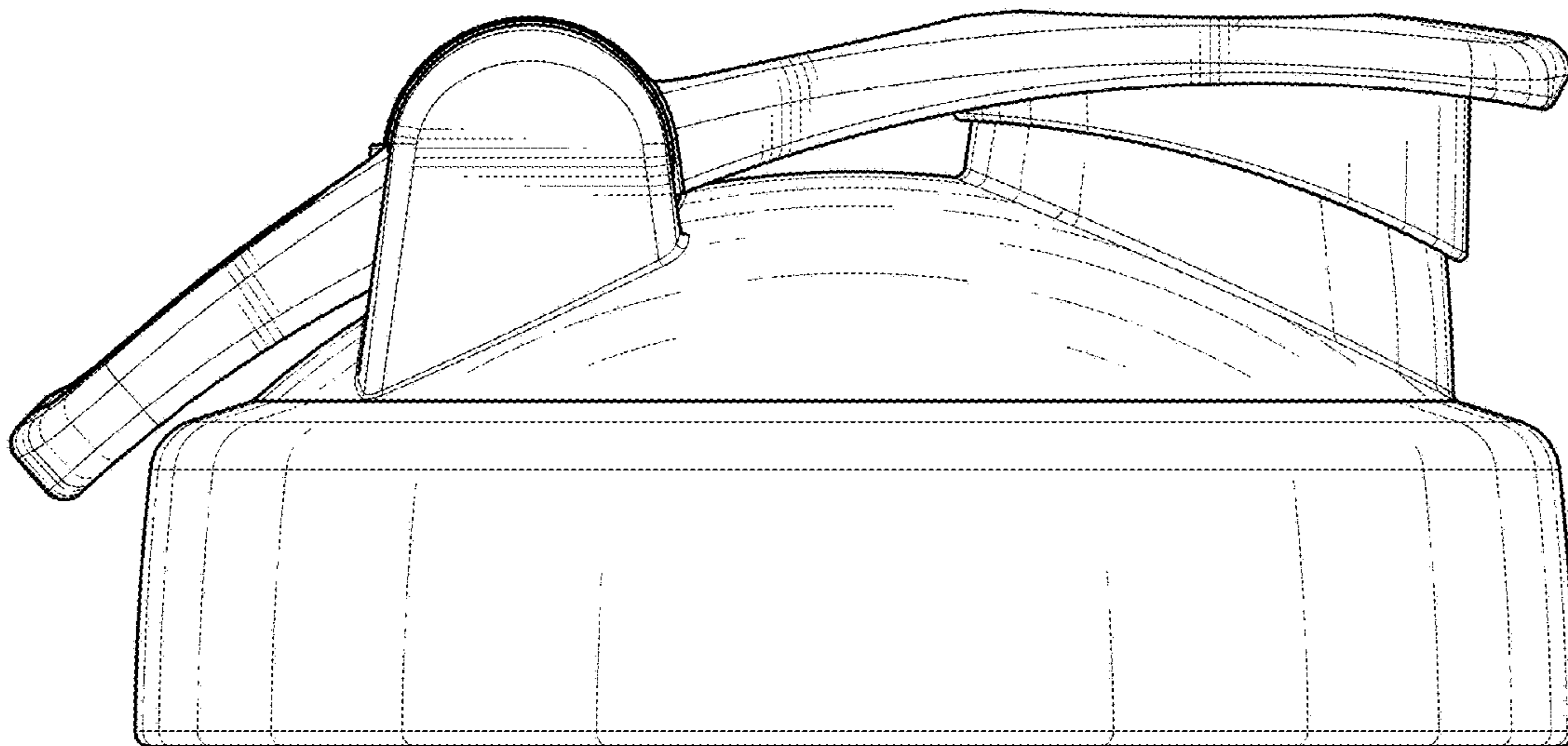


Fig. 6

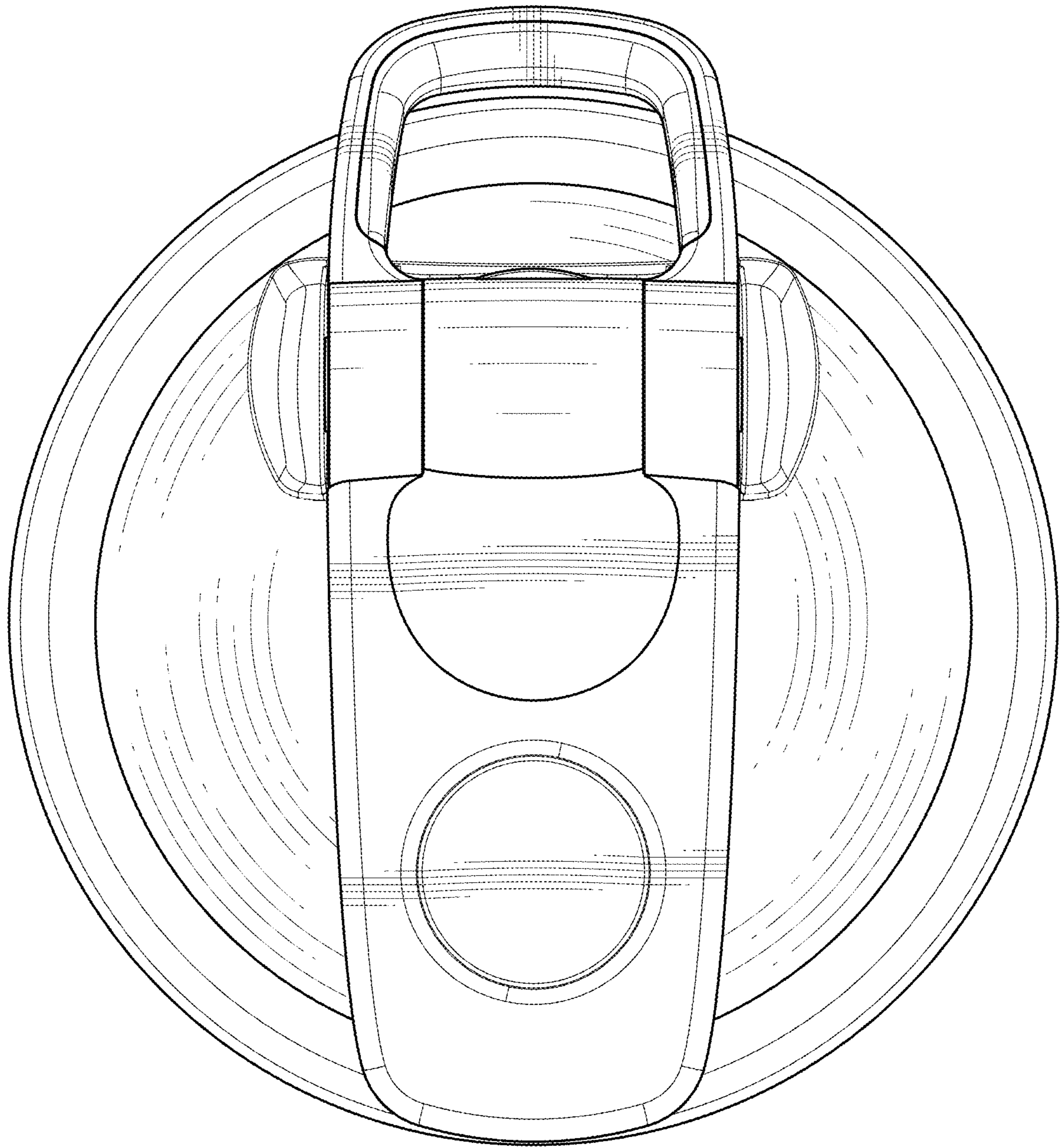


Fig. 7

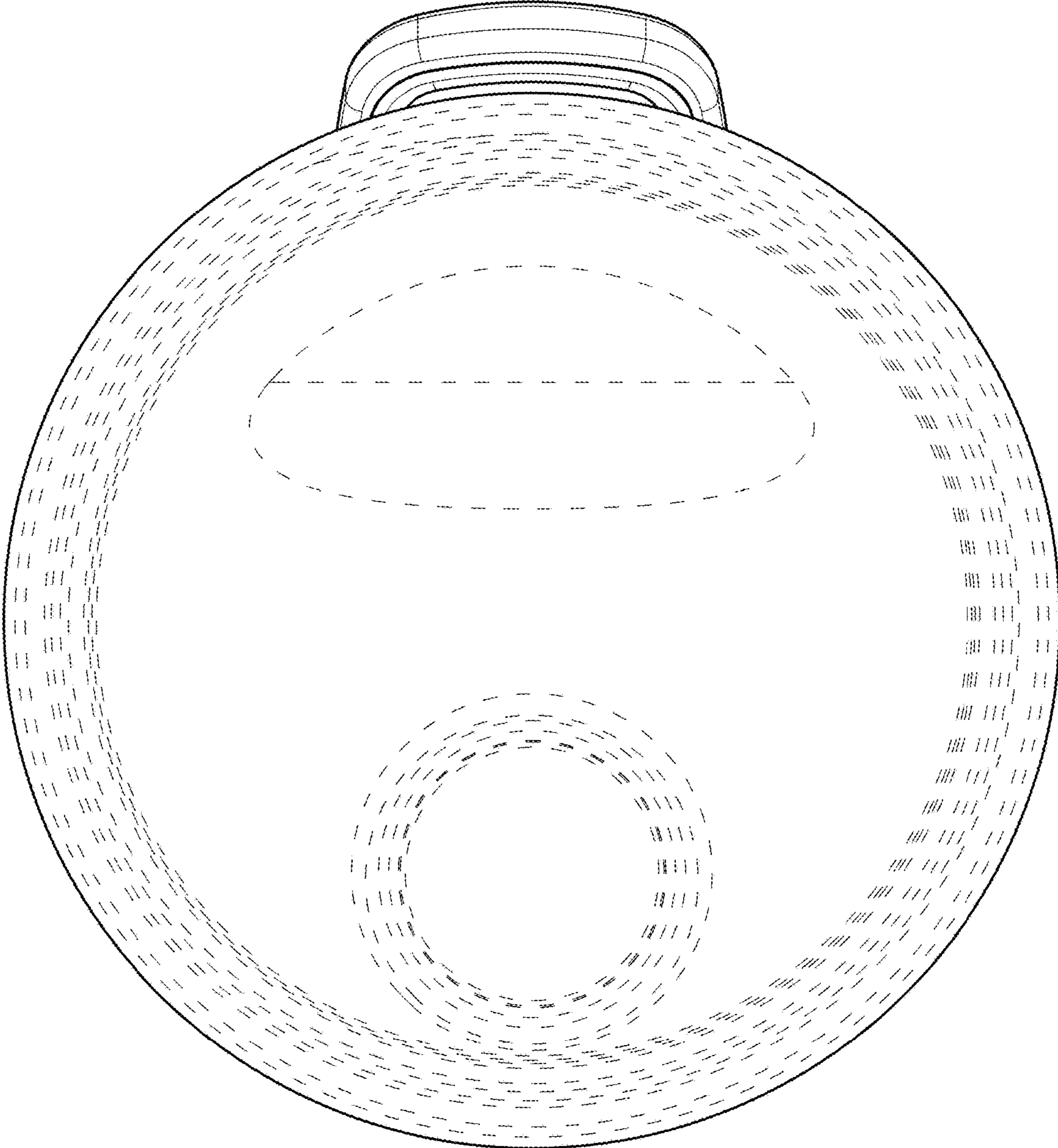


Fig. 8

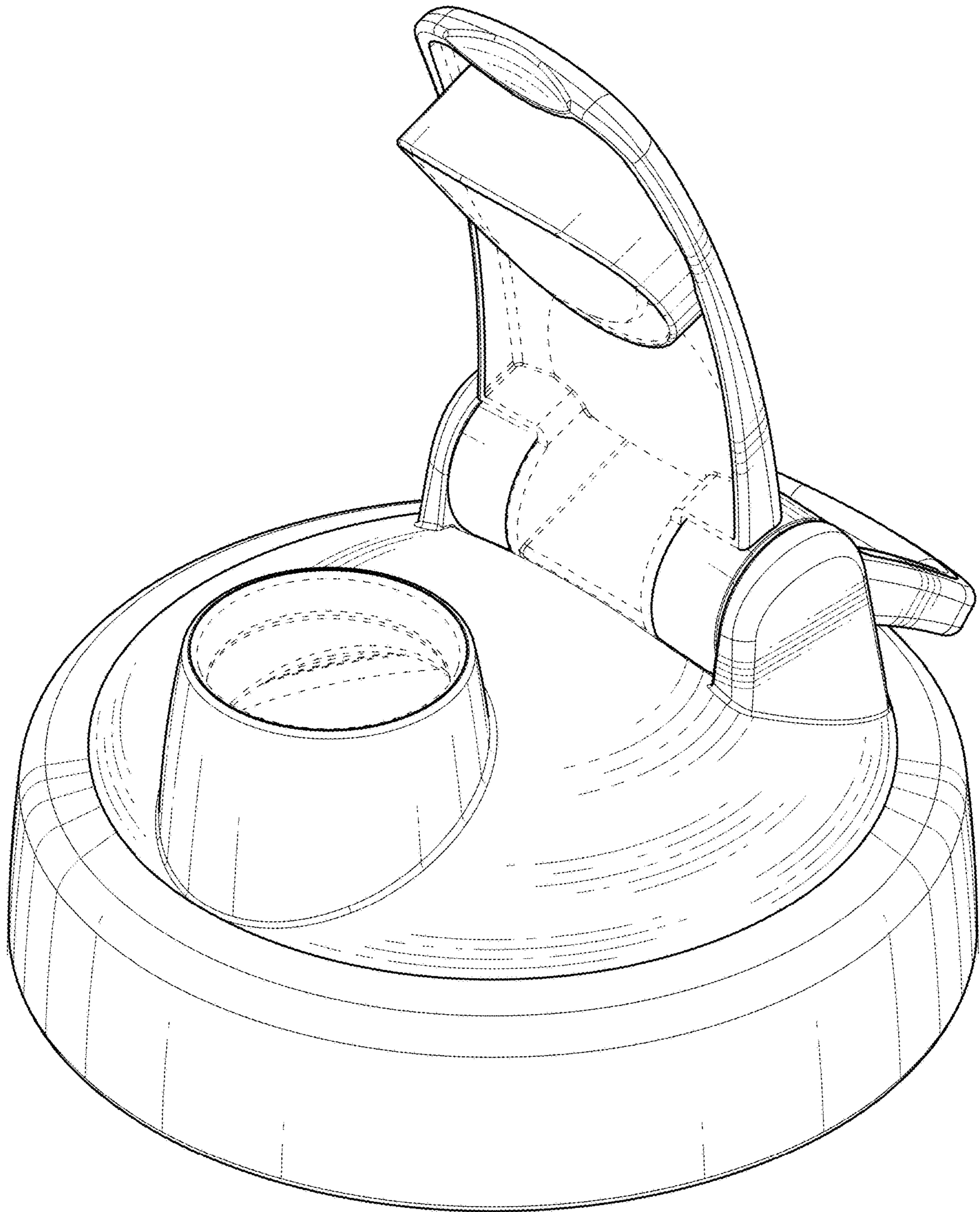


Fig. 9

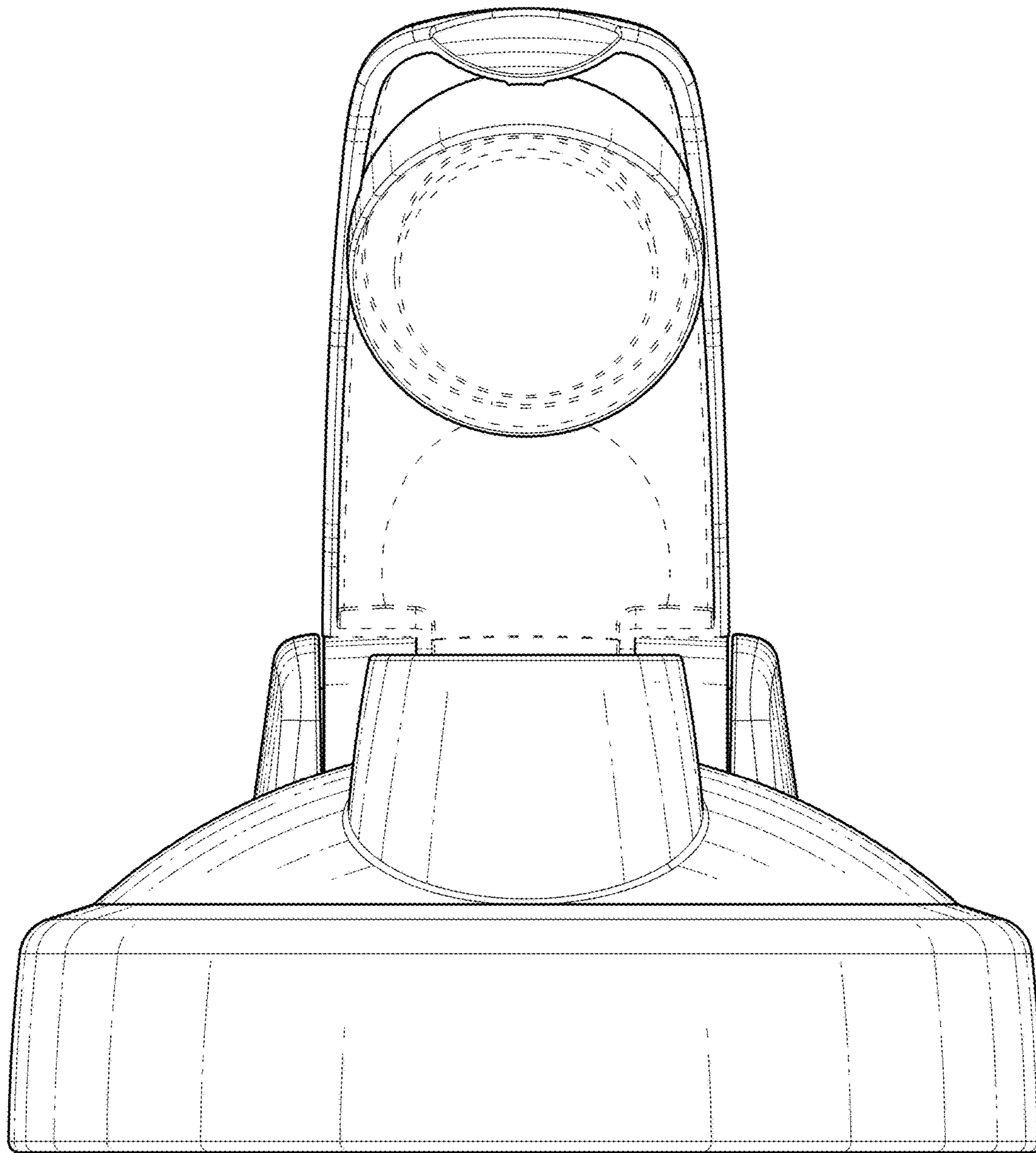


Fig. 10

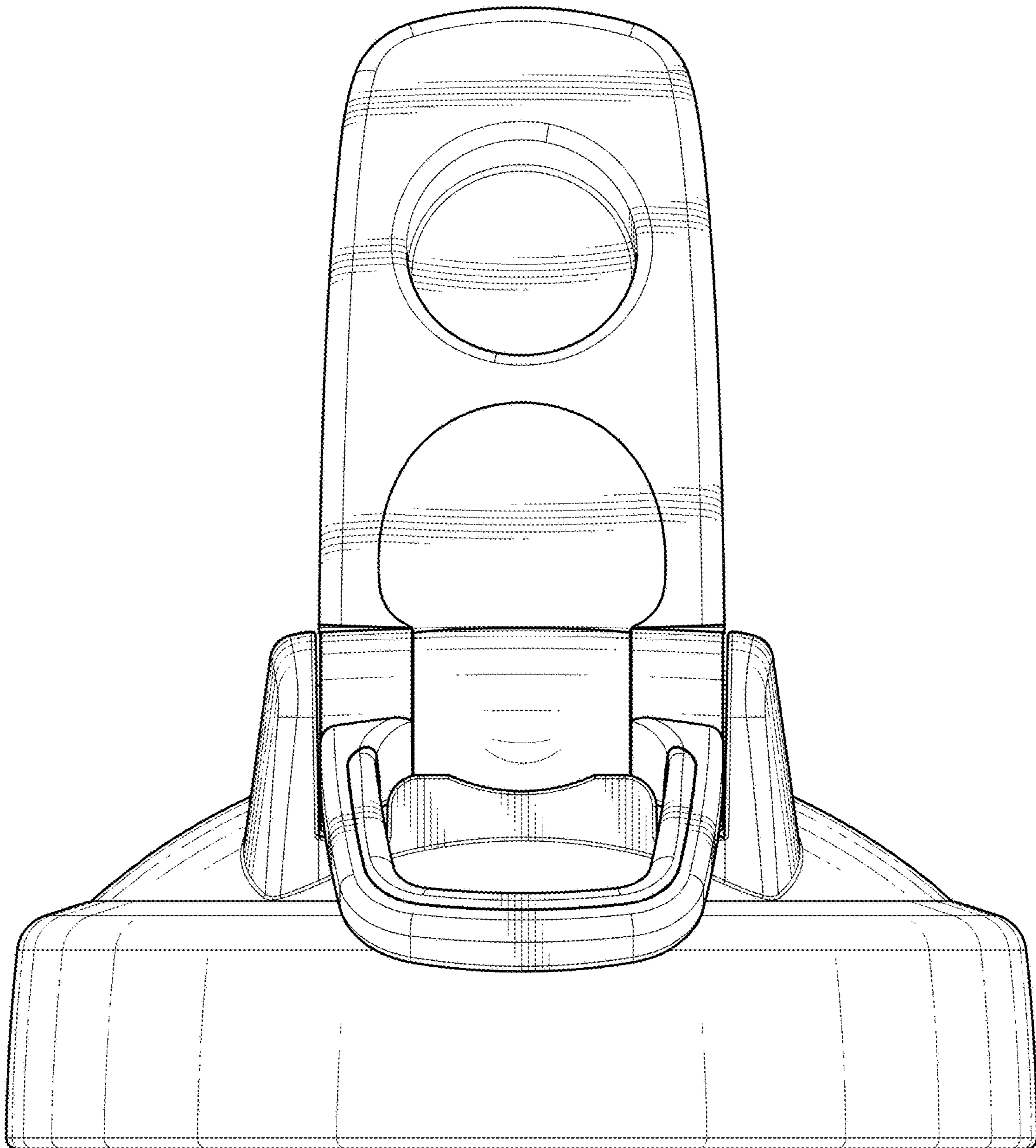


Fig. 11

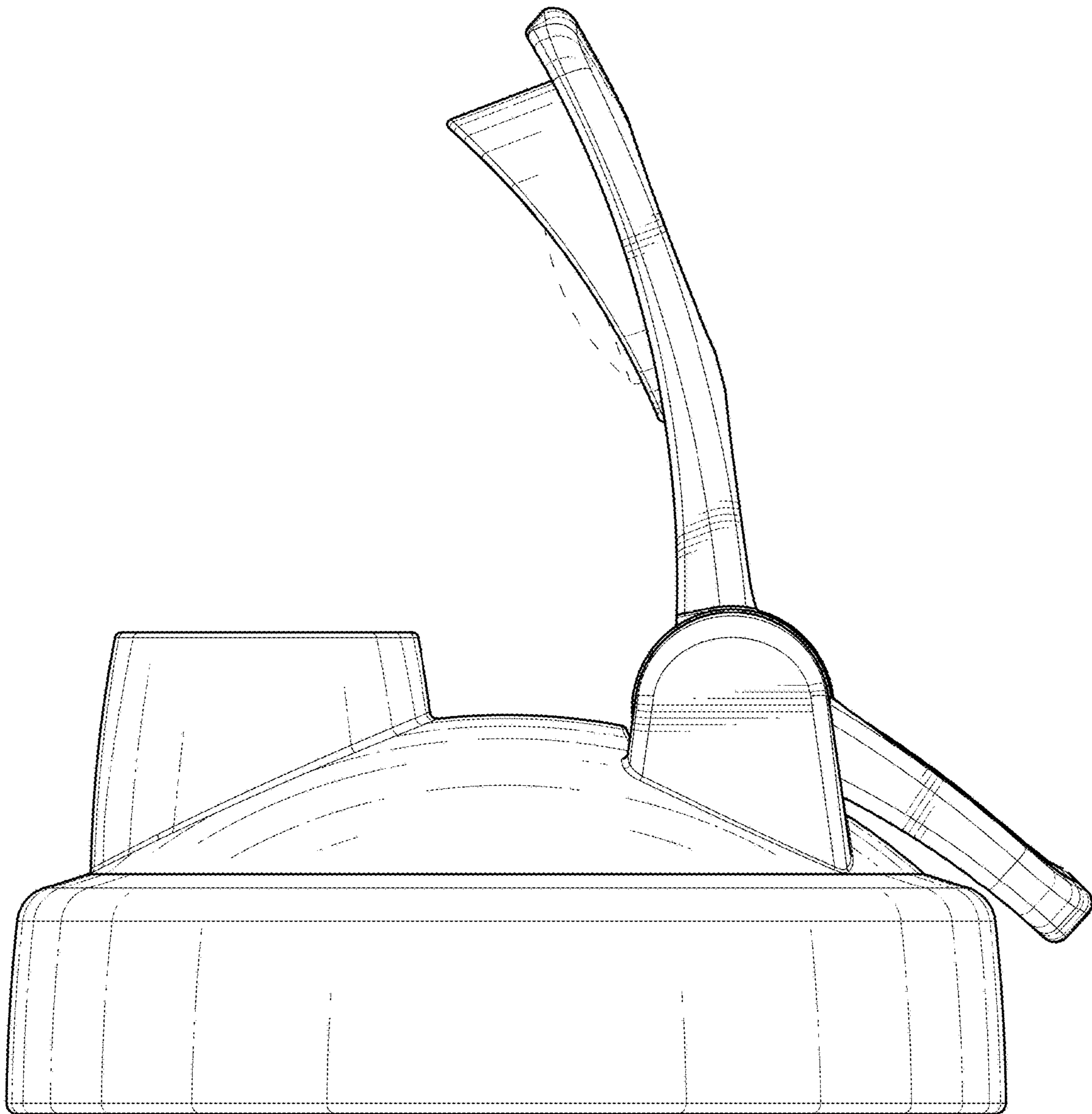


Fig. 12

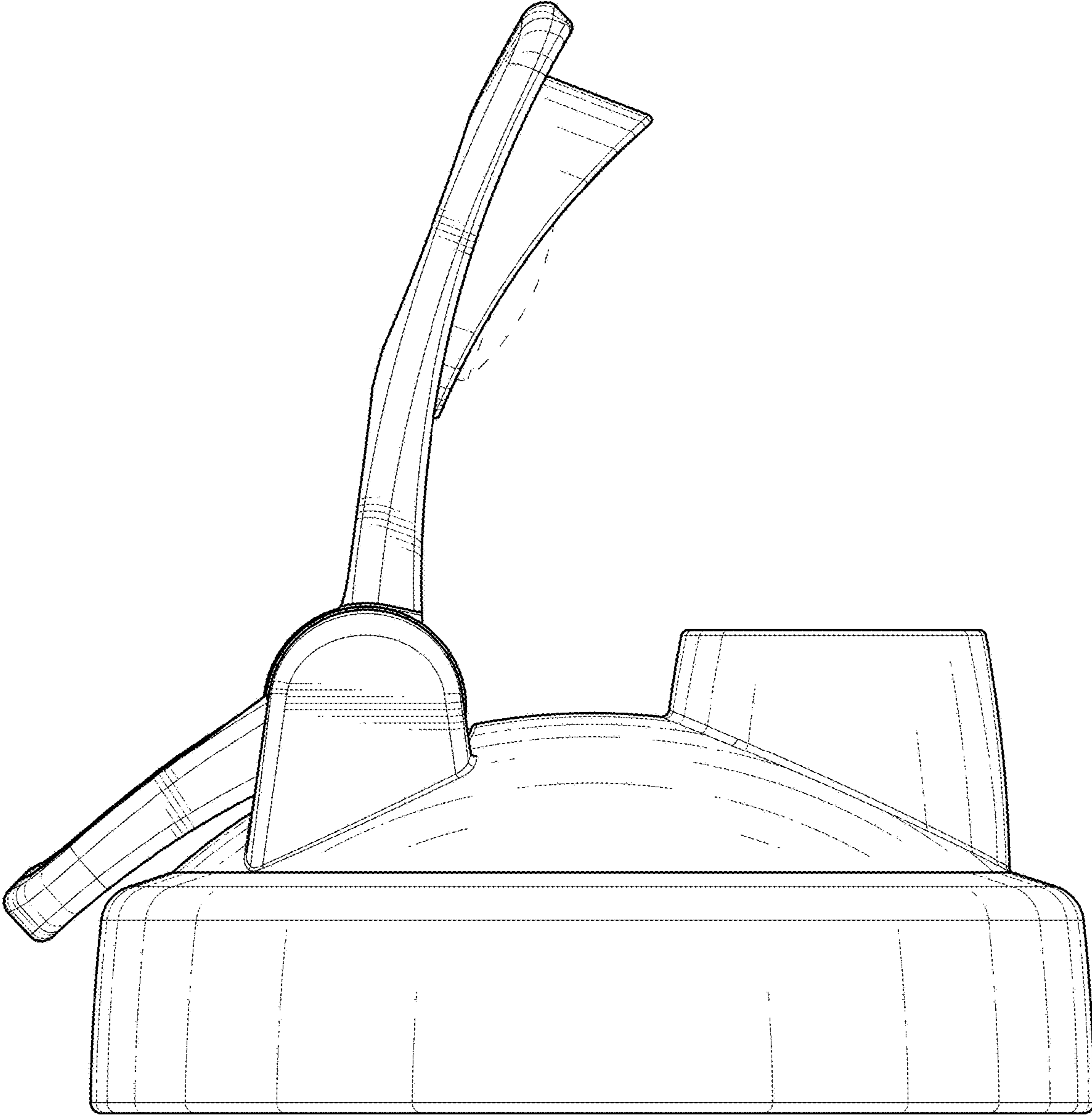


Fig. 13

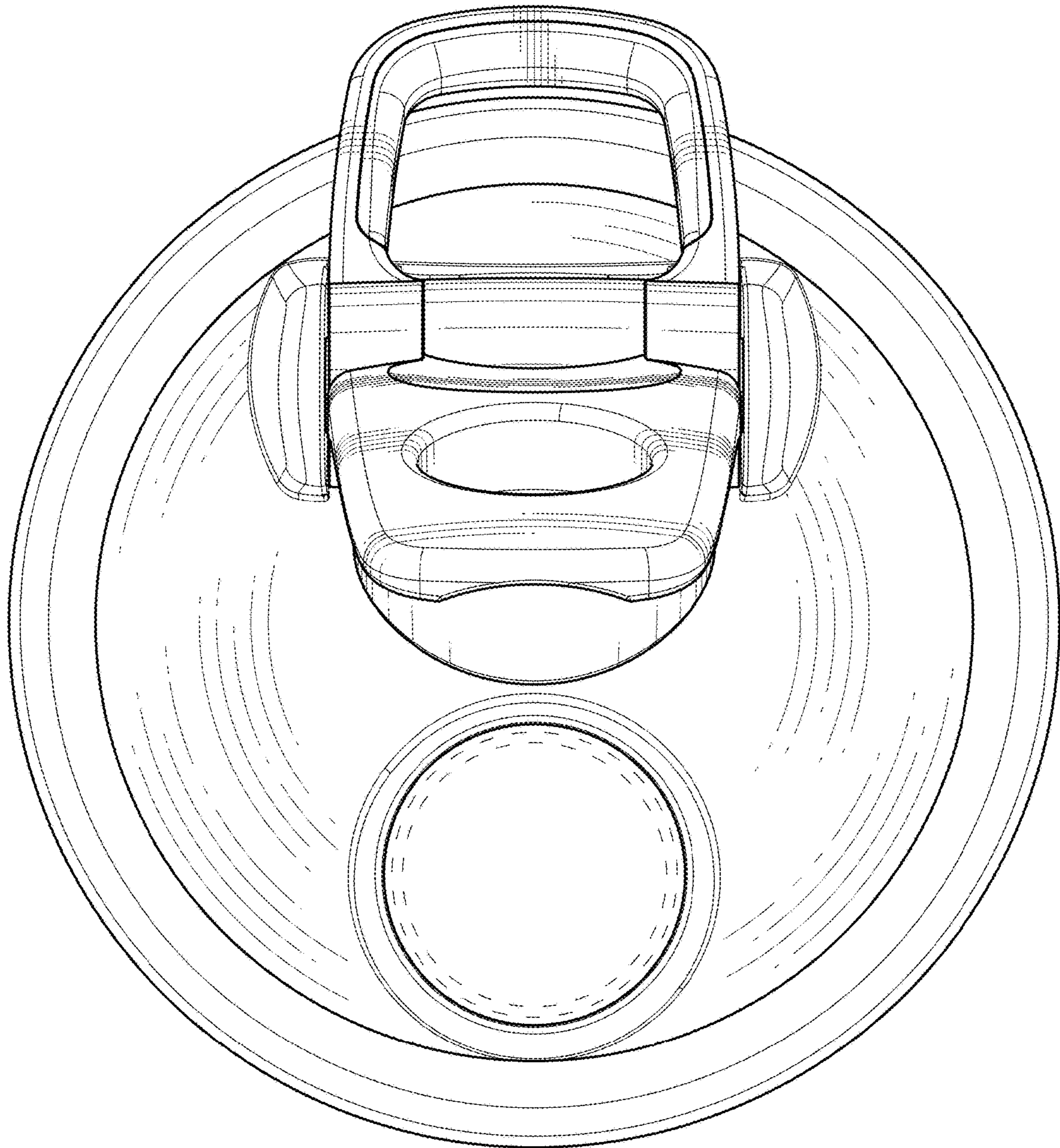


Fig. 14

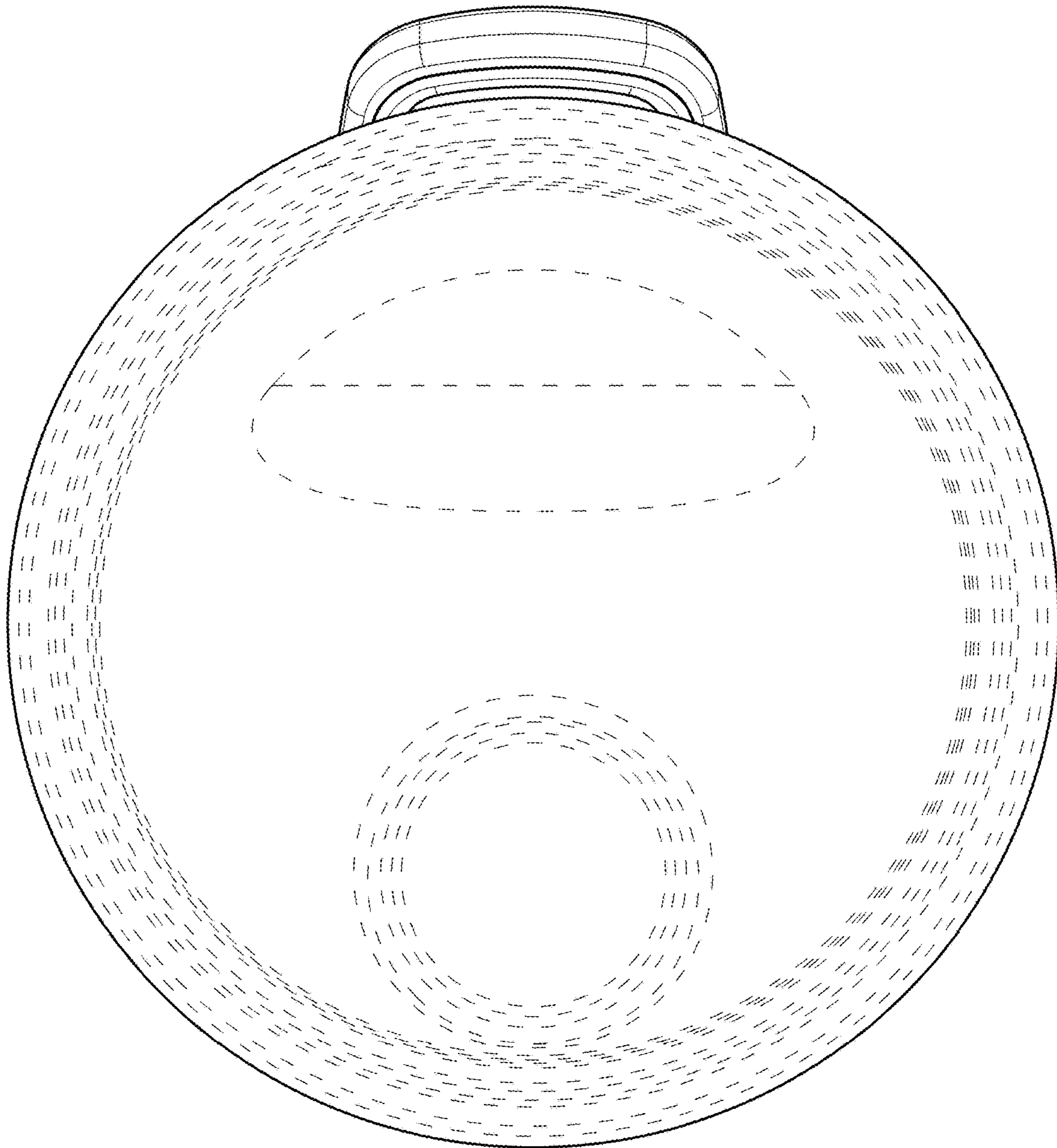


Fig. 15