



US00D820037S

(12) **United States Design Patent**
Ivankovic et al.

(10) **Patent No.:** **US D820,037 S**
(45) **Date of Patent:** **** Jun. 12, 2018**

(54) **SET OF REUSABLE FOOD COVERS**

FOREIGN PATENT DOCUMENTS

(71) Applicant: **Food Huggers Inc.**, Dover, DE (US)

FR 1186787 9/1959
FR 1241271 9/1960

(72) Inventors: **Michelle Ivankovic**, Amsterdam (NL);
Adrienne McNicholas, Madrid (ES)

(Continued)

(73) Assignee: **Food Huggers Inc.**, Dover, DE (US)

OTHER PUBLICATIONS

(**) Term: **15 Years**

International Search Report and Written Opinion dated Jun. 5, 2014
in International Application No. PCT/US2014/017303.

(21) Appl. No.: **29/604,047**

(Continued)

(22) Filed: **May 15, 2017**

Primary Examiner — Ricky Pham

(74) *Attorney, Agent, or Firm* — Plumsea Law Group,
LLC

Related U.S. Application Data

(63) Continuation of application No. 15/092,916, filed on
Apr. 7, 2016, which is a continuation of application
(Continued)

(57) **CLAIM**

The ornamental design for a set of reusable food covers, as
shown and described.

(51) **LOC (11) Cl.** **07-02**

(52) **U.S. Cl.**

USPC **D7/391**

(58) **Field of Classification Search**

USPC D7/391, 392, 392.1, 393, 397, 505, 545,
D7/629; D9/414, 424-432, 435,
D9/451-452, 635

CPC A47G 19/23; A47G 23/04; A47J 36/027;
A47J 36/06; A47J 37/10; A47J 37/101;
B65D 21/02; B65D 21/0209; B65D
21/0223; B65D 43/00; B65D 43/02;
B65D 43/022; B65D 43/161; B65D
43/162; B65D

(Continued)

DESCRIPTION

FIG. 1 is a perspective view of a set of reusable food covers
shown in a nested configuration;

FIG. 2 is a top plan view thereof;

FIG. 3 is a front elevation view thereof, the rear and both left
and right side elevation views being identical;

FIG. 4 is a bottom plan view thereof;

FIG. 5 is an enlarged cross-sectional view taken through line
5-5 of FIG. 2;

FIG. 6 is a top plan view of the set of reusable food covers
shown in an unnested, separate configuration, shown
reduced in scale;

FIG. 7 is a perspective view of the set of reusable food
covers as shown in FIG. 6;

FIG. 8 is a front elevation view of the set of reusable food
covers as shown in FIG. 6, it being understood that the rear
elevation view and the left and right side elevation views of
each reusable food cover would appear identical to the front
elevation view thereof; and,

FIG. 9 is a bottom plan view of the set of reusable food
covers as shown in FIG. 6.

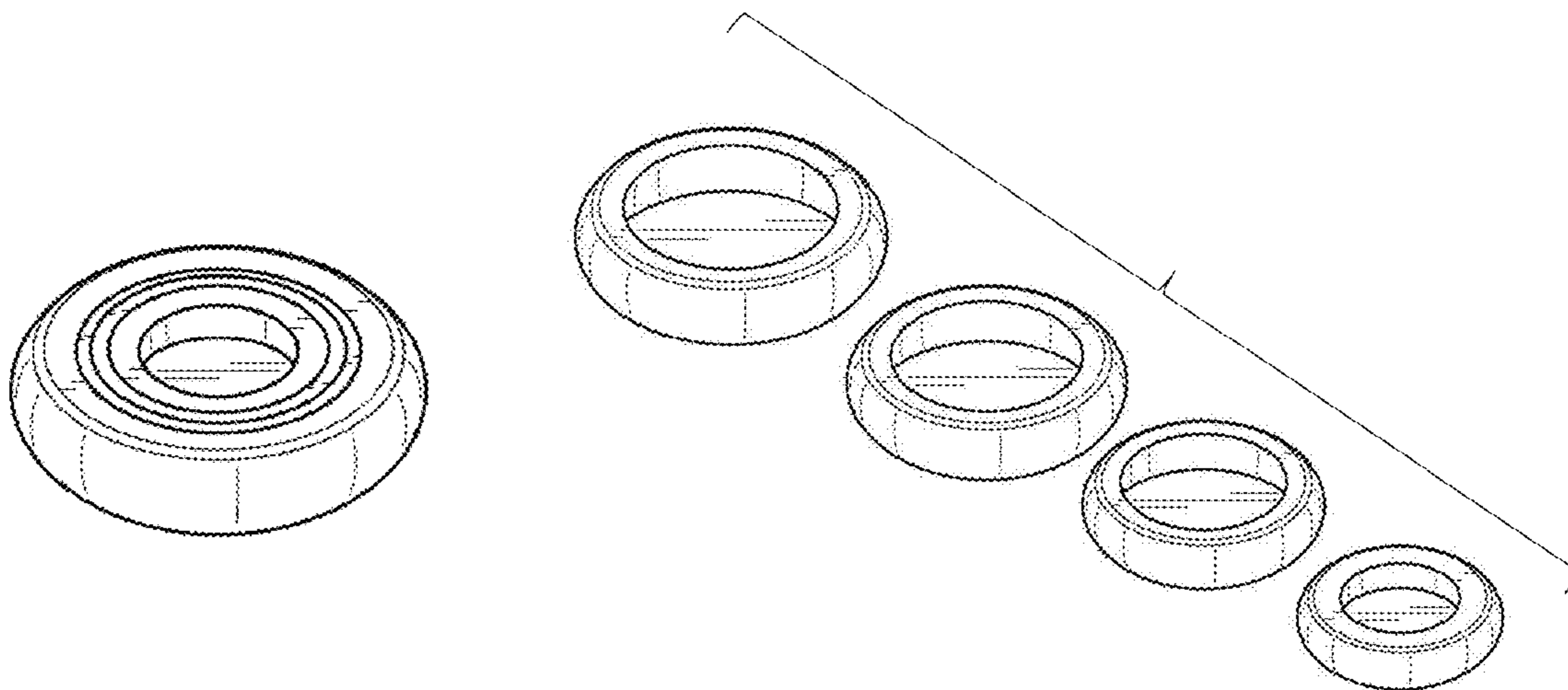
(56) **References Cited**

U.S. PATENT DOCUMENTS

3,862,614 A 1/1975 Kovac
4,204,609 A * 5/1980 Kuhn A47G 23/04
206/508

(Continued)

1 Claim, 3 Drawing Sheets



Related U.S. Application Data

No. 13/954,475, filed on Jul. 30, 2013, now Pat. No. 9,320,376.

(58) **Field of Classification Search**

CPC 45/00; B65D 45/16; B65D 45/18; B65D 51/16; B65D 51/1683; B65D 51/1688; B65D 51/1694; B65D 85/8043; B65F 1/1615

See application file for complete search history.

D717,114 S *	11/2014	Katterheinrich	D7/505
9,320,376 B2	4/2016	Ivankovic et al.	
2003/0155267 A1*	8/2003	Mercier	B65D 21/02 206/515
2004/0191369 A1	9/2004	Veillon	
2006/0070907 A1	4/2006	O'Shea	
2006/0169693 A1	8/2006	Yeung	
2008/0073366 A1	3/2008	Backaert	
2008/0203092 A1	8/2008	Stamper et al.	
2009/0166239 A1	7/2009	Seehoff et al.	
2014/0238887 A1	8/2014	Ivankovic et al.	

(56) **References Cited**

U.S. PATENT DOCUMENTS

4,951,832 A *	8/1990	Tenney	B65D 21/02 206/505
5,108,768 A *	4/1992	So	B65D 85/8043 206/519
D338,807 S *	8/1993	Conti	D7/354
5,692,617 A *	12/1997	Adams	B65D 21/0223 206/501
5,749,491 A	5/1998	Wylder et al.	
D473,752 S *	4/2003	Kerr	D7/316
6,729,472 B2 *	5/2004	Stucke	A47G 19/23 206/515
D504,799 S *	5/2005	Lawson	D7/505
D512,604 S *	12/2005	Panepinto	D7/505
D514,442 S *	2/2006	Lowe	D7/505
8,807,368 B1 *	8/2014	Riedel	A47G 23/06 206/514

FOREIGN PATENT DOCUMENTS

FR	1428577	2/1966
FR	2903163	1/2008
JP	2000043916	2/2000
JP	2013110130	5/2013
WO	2012018586	2/2012
WO	2014133857	9/2014
WO	2015143187	9/2015

OTHER PUBLICATIONS

International Search Report and Written Opinion dated May 27, 2015 in International Application No. PCT/US2015/021514. Foodhuggers, Food Huggers Video, <<https://www.youtube.com/watch?v=Cck6n-ZkhCK>> available at least as early as Feb. 21, 2014.

* cited by examiner

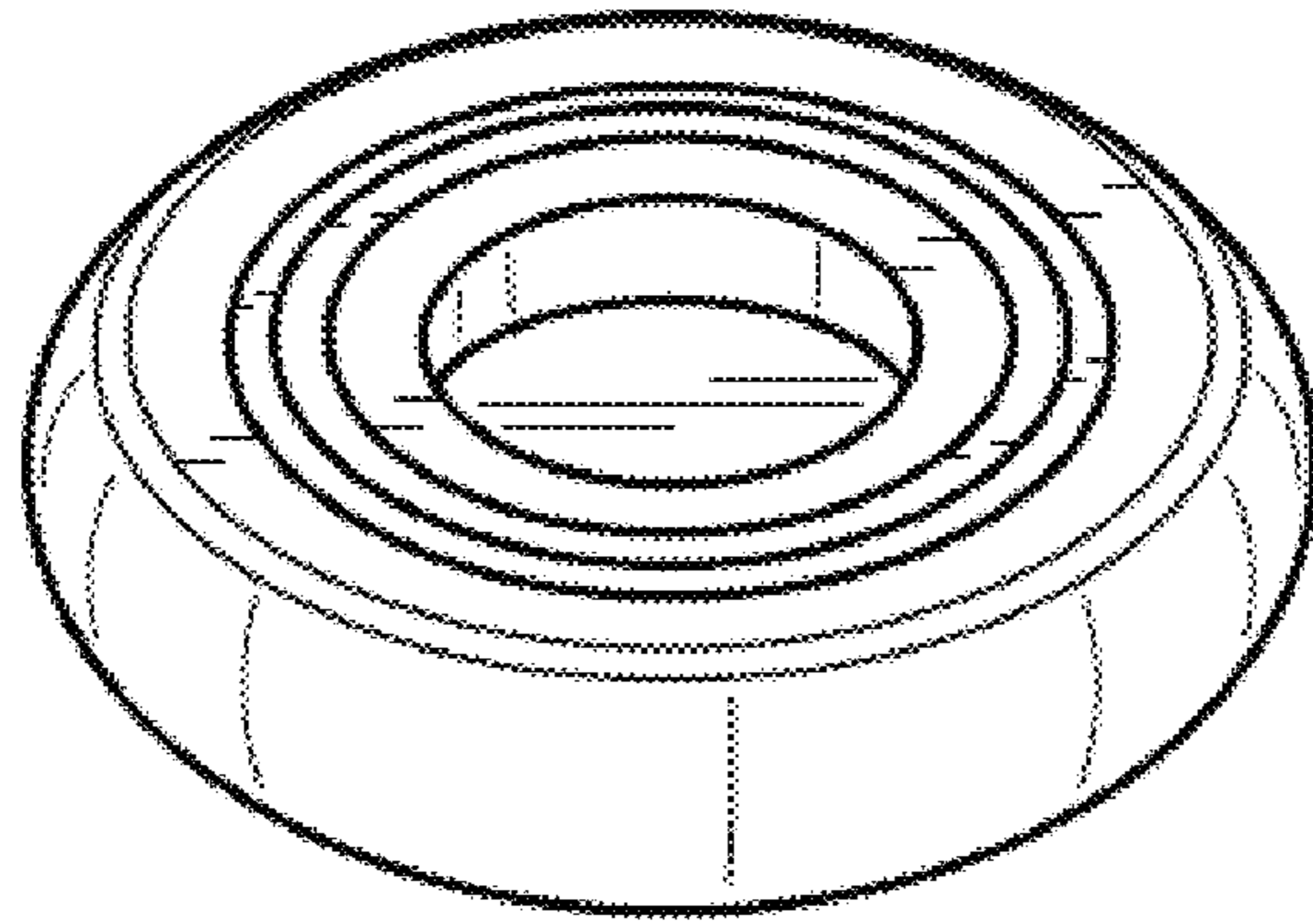


FIG. 1

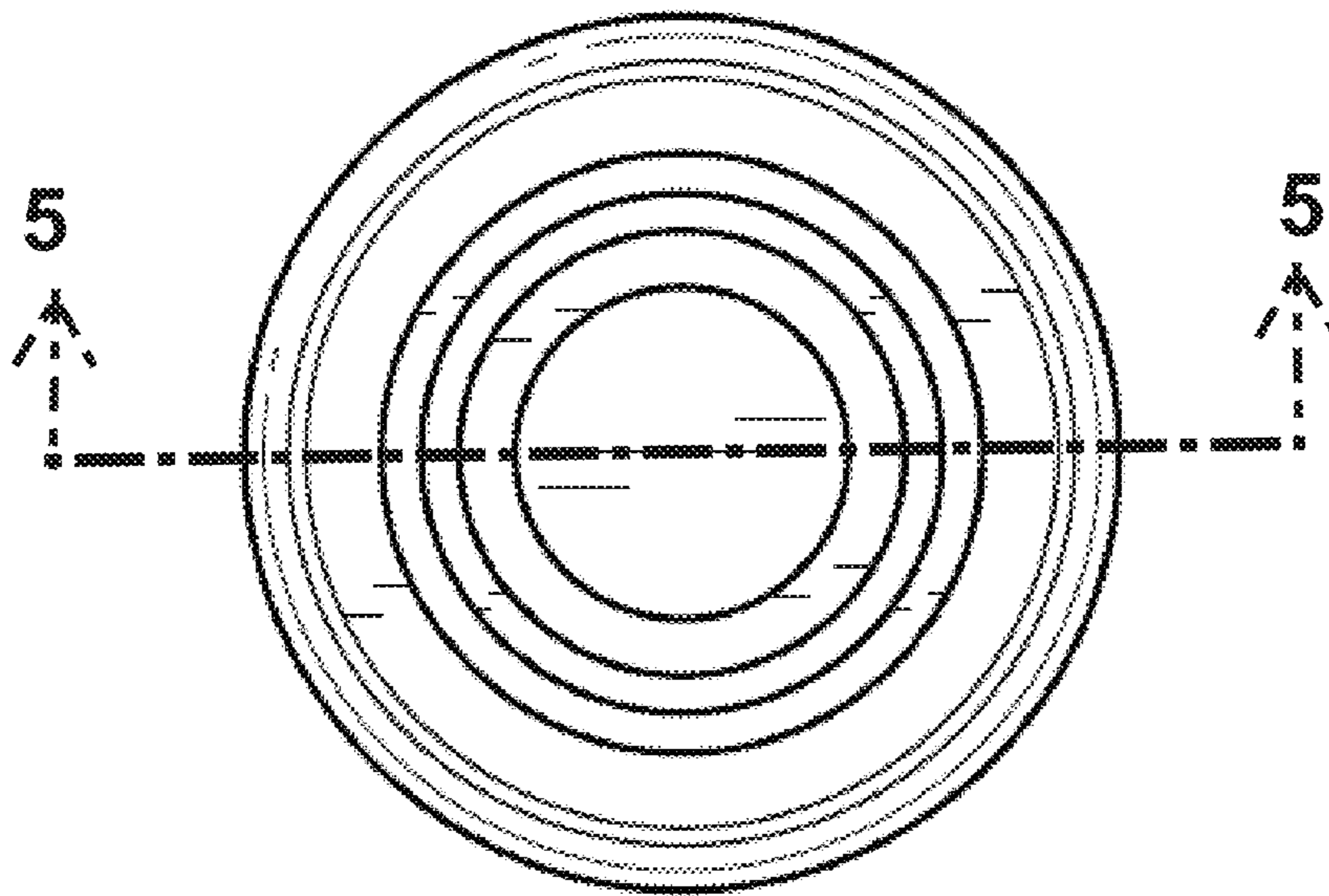


FIG. 2

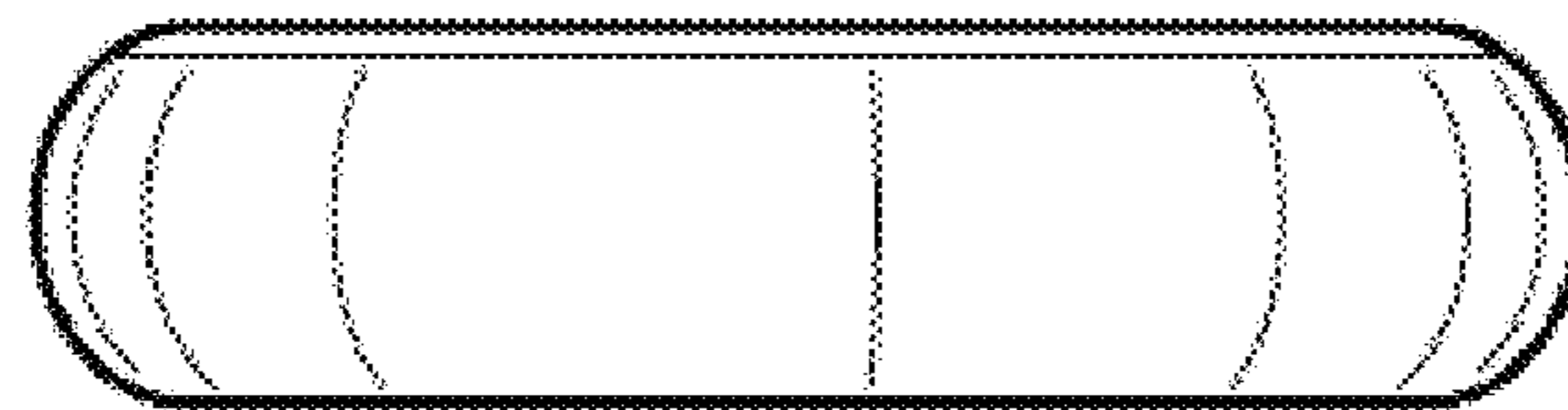


FIG. 3

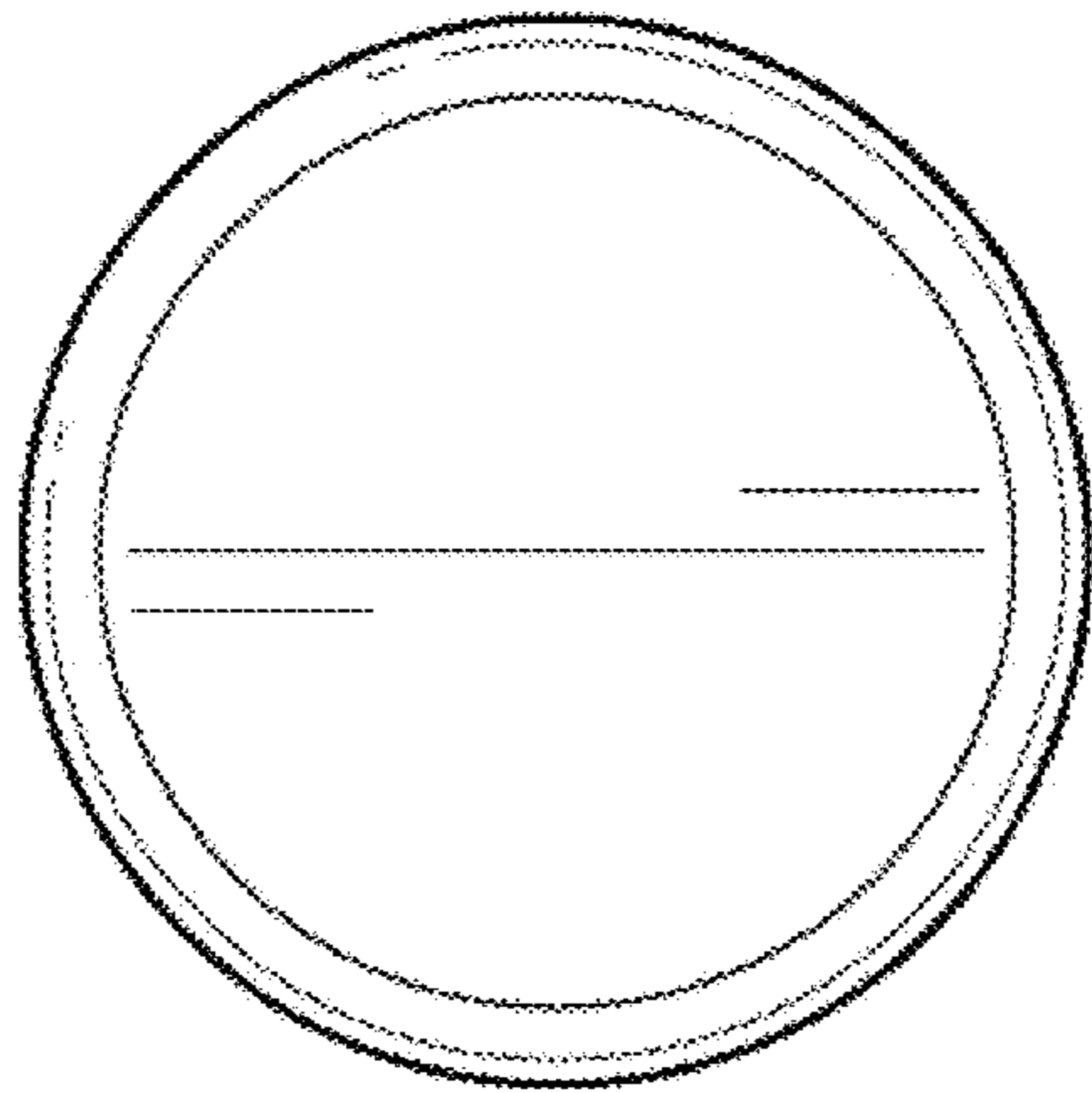


FIG. 4

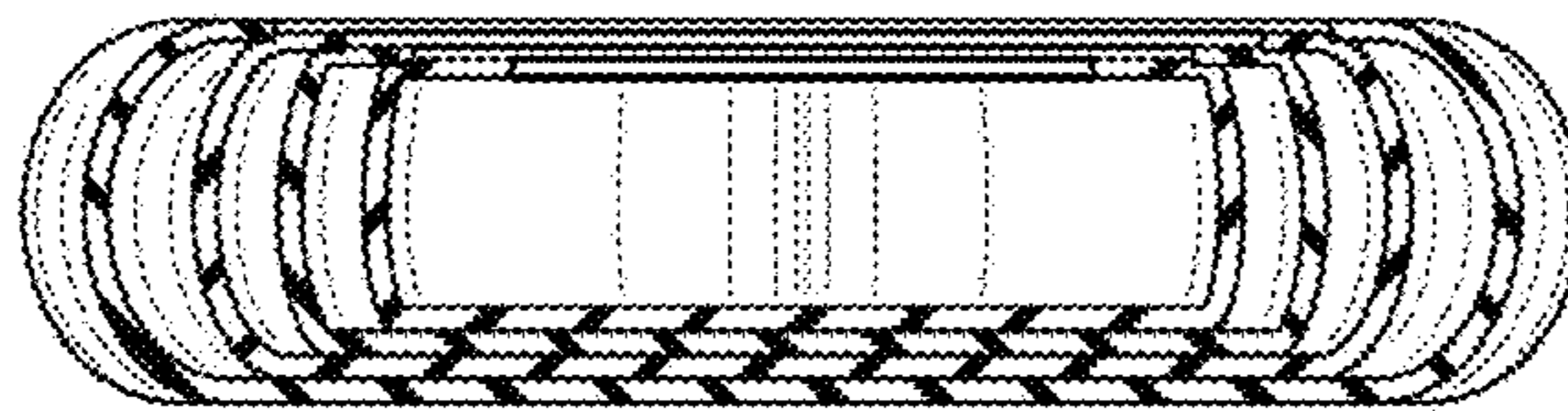


FIG. 5

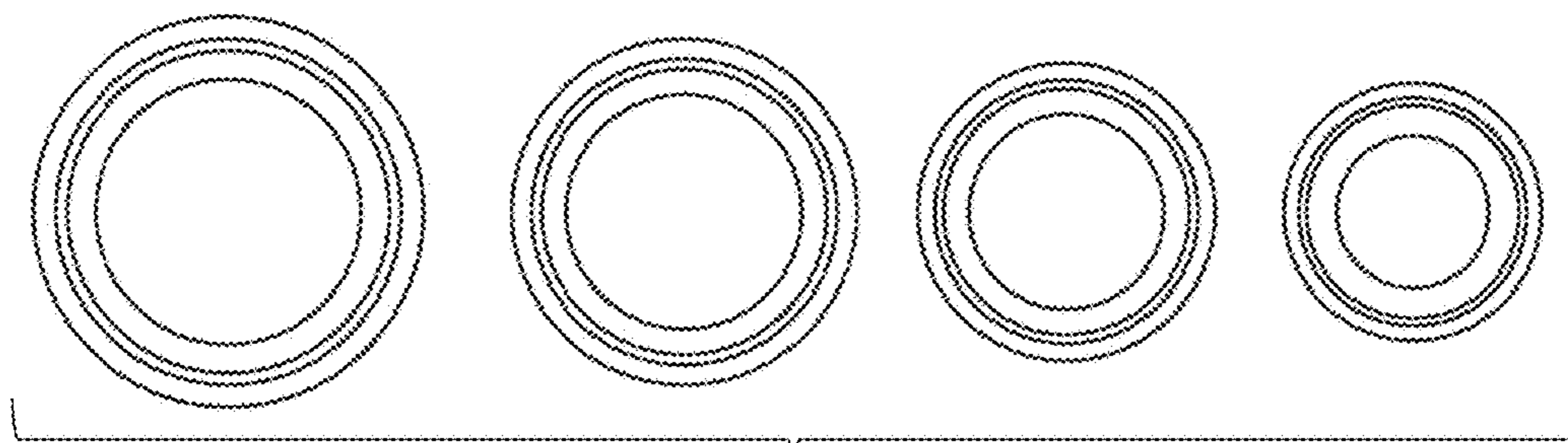


FIG. 6

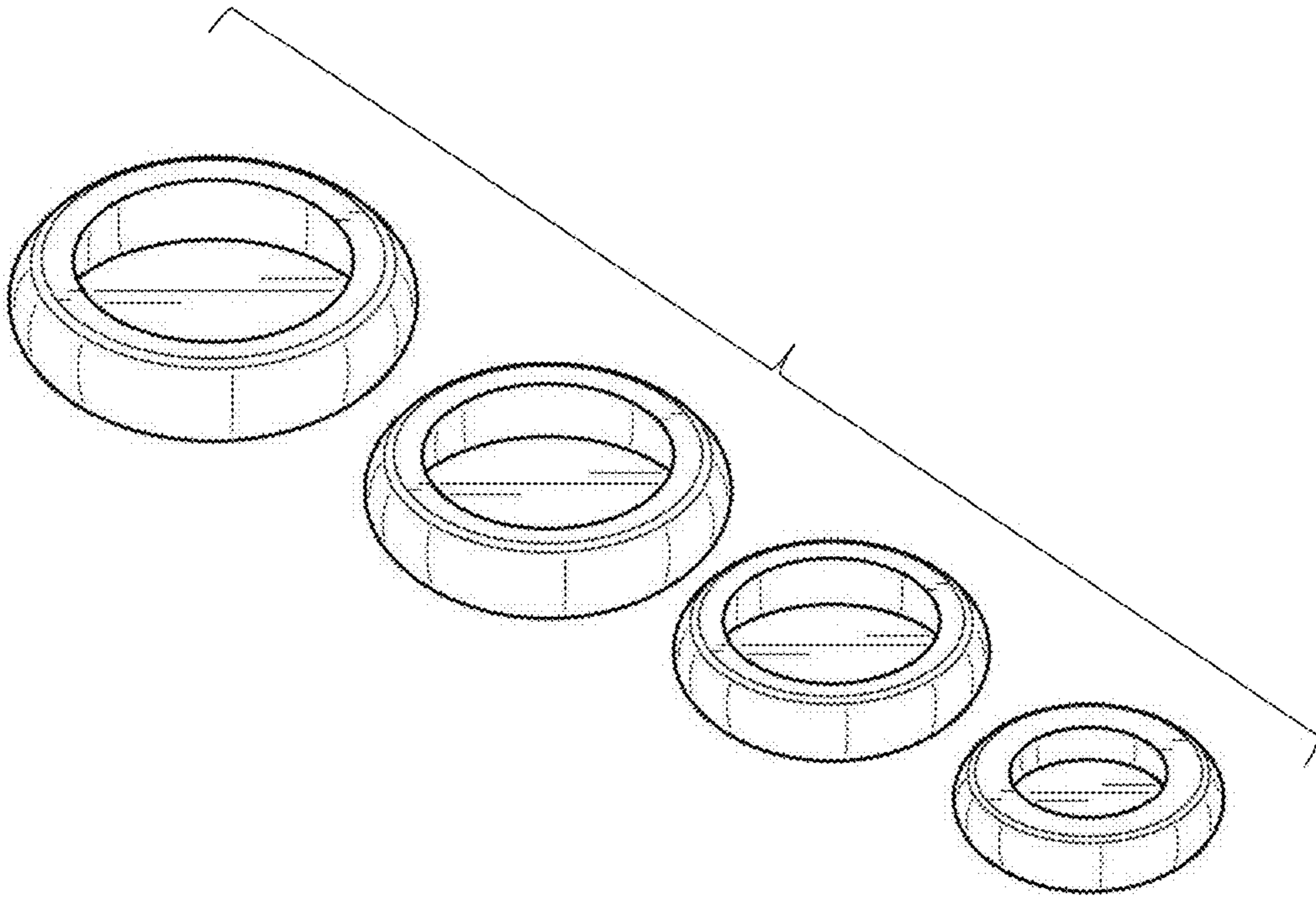


FIG. 7



FIG. 8

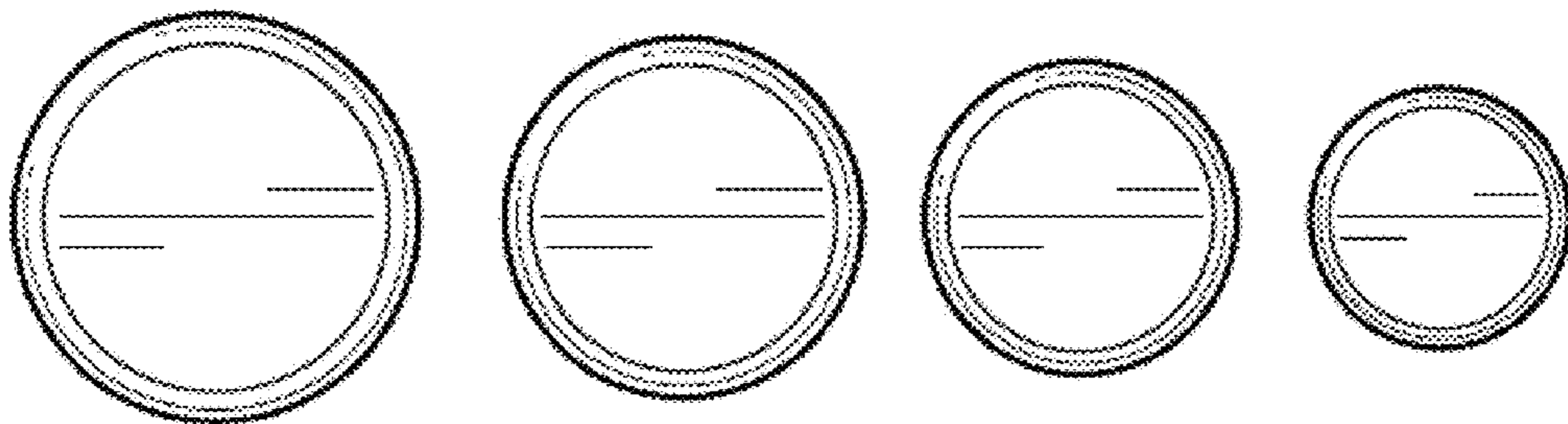


FIG. 9