



US00D820033S

(12) **United States Design Patent**
Zhang

(10) **Patent No.:** **US D820,033 S**

(45) **Date of Patent:** **** Jun. 12, 2018**

(54) **BLENDER**

(71) Applicant: **KONINKLIJKE PHILIPS N.V.**,
Eindhoven (NL)

(72) Inventor: **Mingshuo Zhang**, Amstelveen (NL)

(73) Assignee: **KONINKLIJKE PHILIPS N.V.**,
Eindhoven (NL)

(**) Term: **15 Years**

(21) Appl. No.: **35/502,477**

(22) Filed: **Aug. 23, 2016**

(80) **Hague Agreement Data**

Int. Filing Date: **Aug. 23, 2016**

Int. Reg. No.: **DM/092242**

Int. Reg. Date: **Aug. 23, 2016**

Int. Reg. Pub. Date: **Feb. 24, 2017**

(51) **LOC (11) Cl.** **31-00**

(52) **U.S. Cl.**
USPC **D7/378**

(58) **Field of Classification Search**
USPC D7/376-379, 380, 412, 413
See application file for complete search history.

(56) **References Cited**

U.S. PATENT DOCUMENTS

D553,426 S * 10/2007 Lin D7/378
D556,505 S * 12/2007 Wu D7/378

D669,304 S * 10/2012 Bock D7/376
D728,303 S * 5/2015 Vu D7/376
D746,629 S * 1/2016 Ji D7/376
D758,787 S * 6/2016 Ou D7/376
D759,424 S * 6/2016 Ou D7/376
D780,507 S * 3/2017 Barquin D7/376
D781,098 S * 3/2017 Bond D7/376
D805,344 S * 12/2017 Yuan D7/378

* cited by examiner

Primary Examiner — Michael A. Pratt

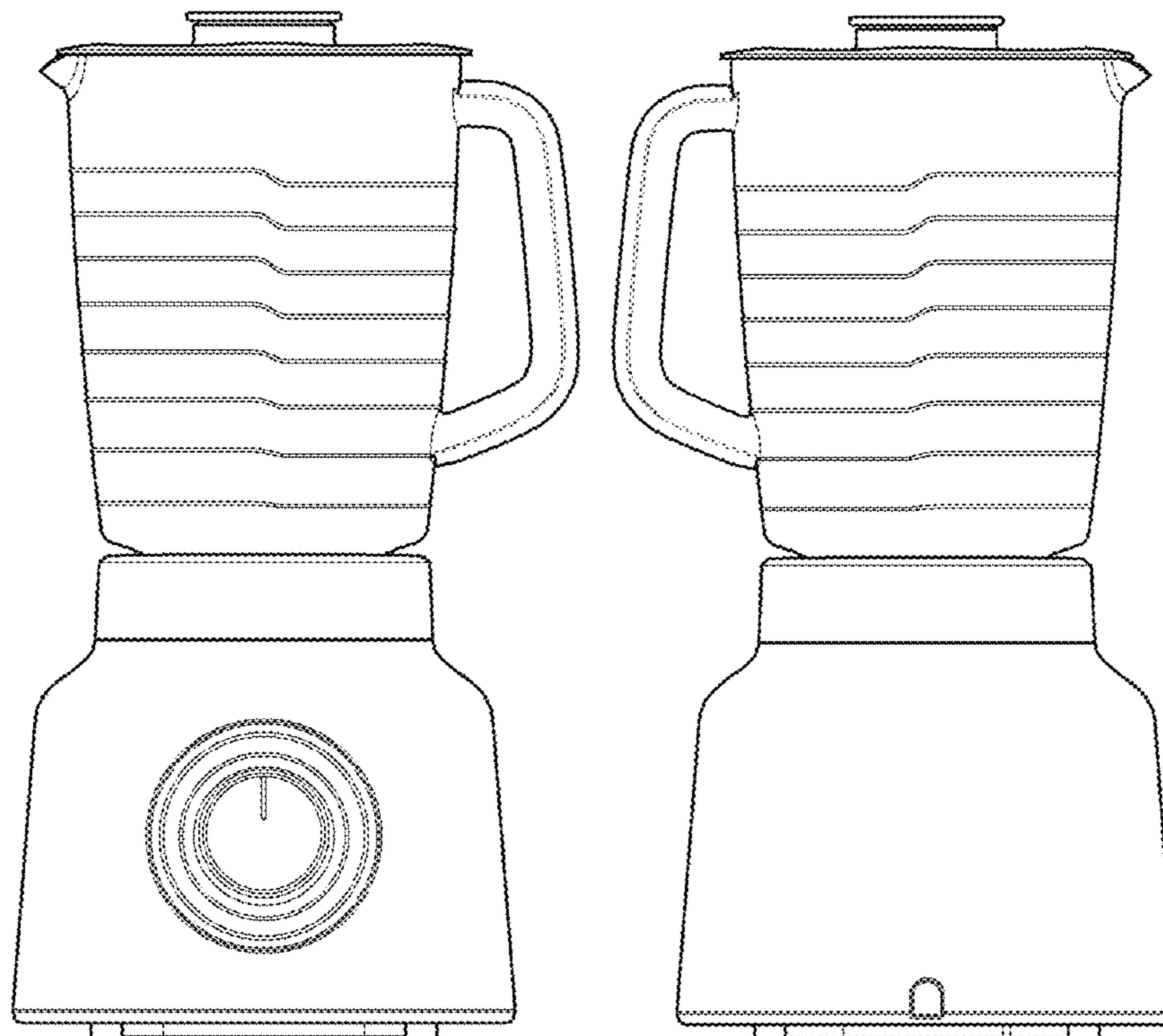
(57) **CLAIM**

The ornamental design for a blender, as shown and described.

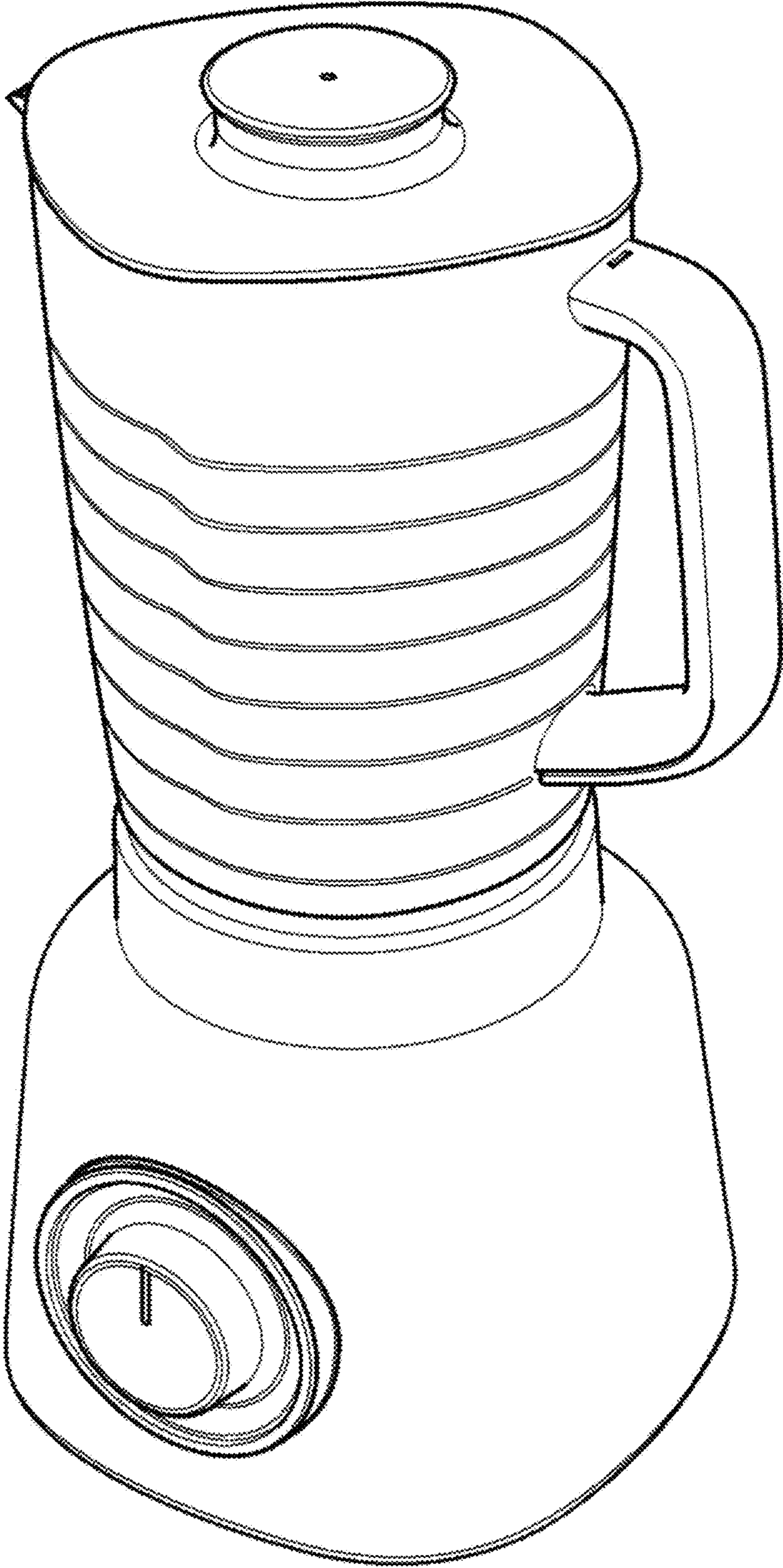
DESCRIPTION

- 1. Blender
- 1.1 is a perspective view
- 1.2 is a front elevation view
- 1.3 is a rear elevation view
- 1.4 is a left side view
- 1.5 is a right side view
- 1.6 is a top plan view
- 1.7 is a bottom plan view

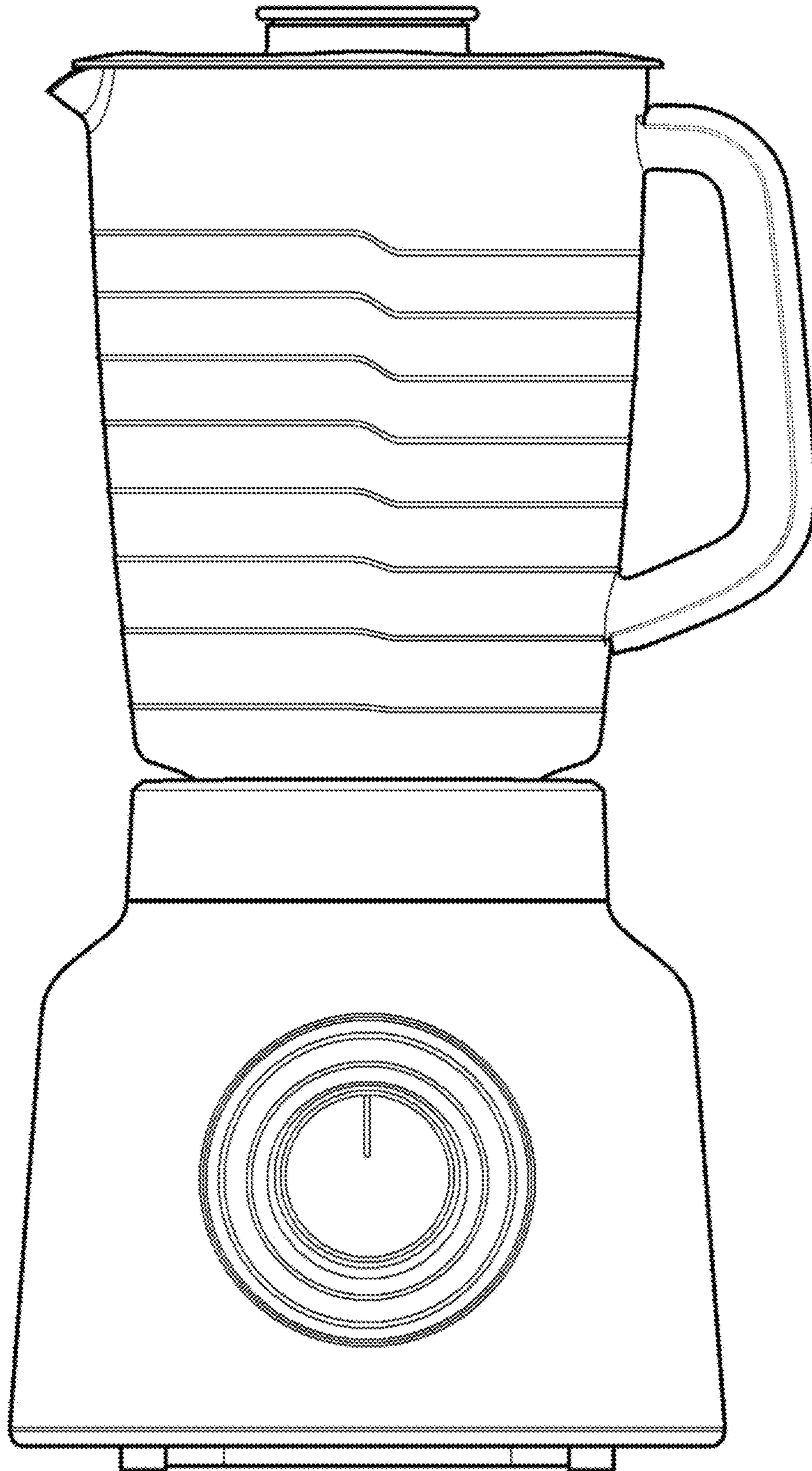
1 Claim, 7 Drawing Sheets



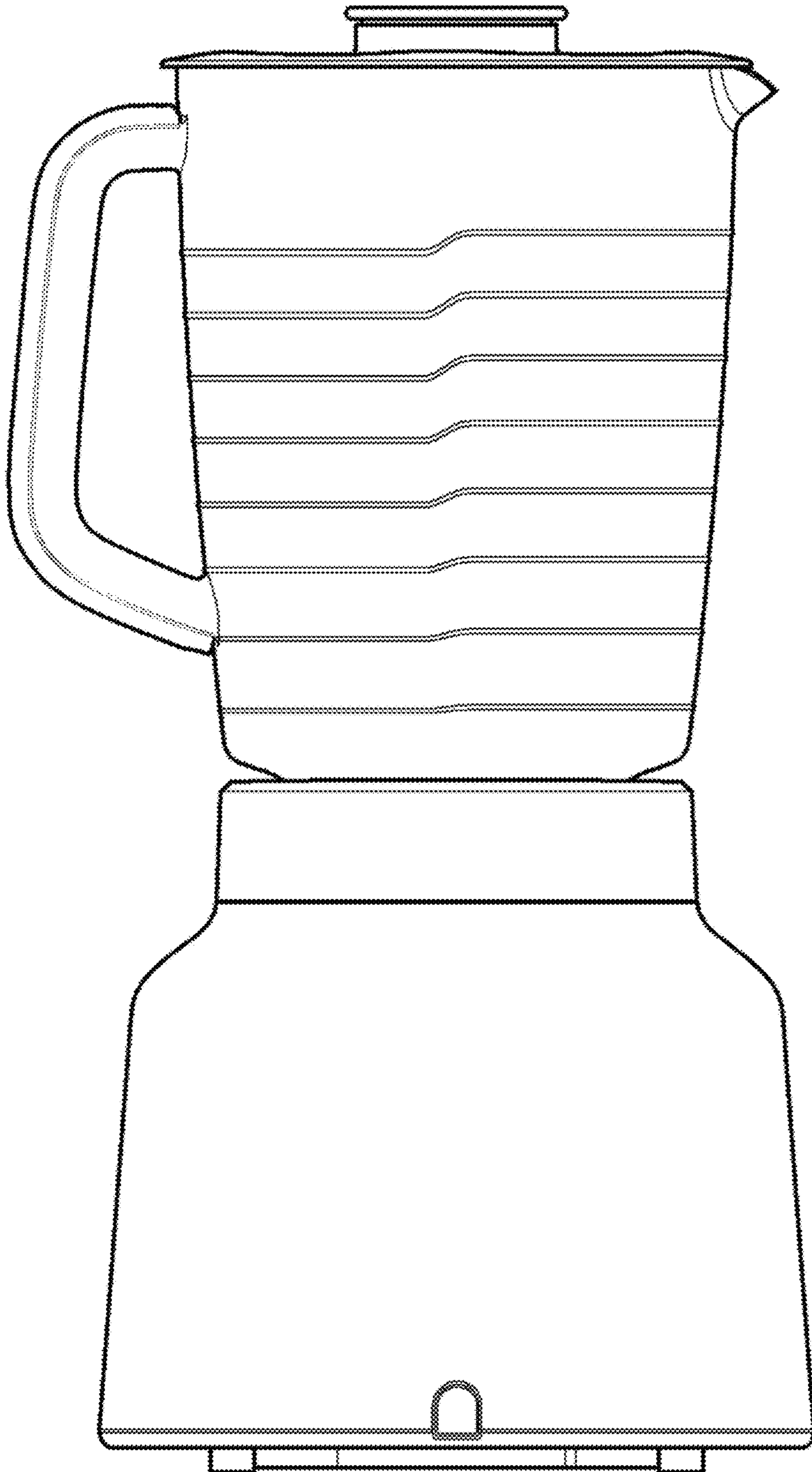
1.1



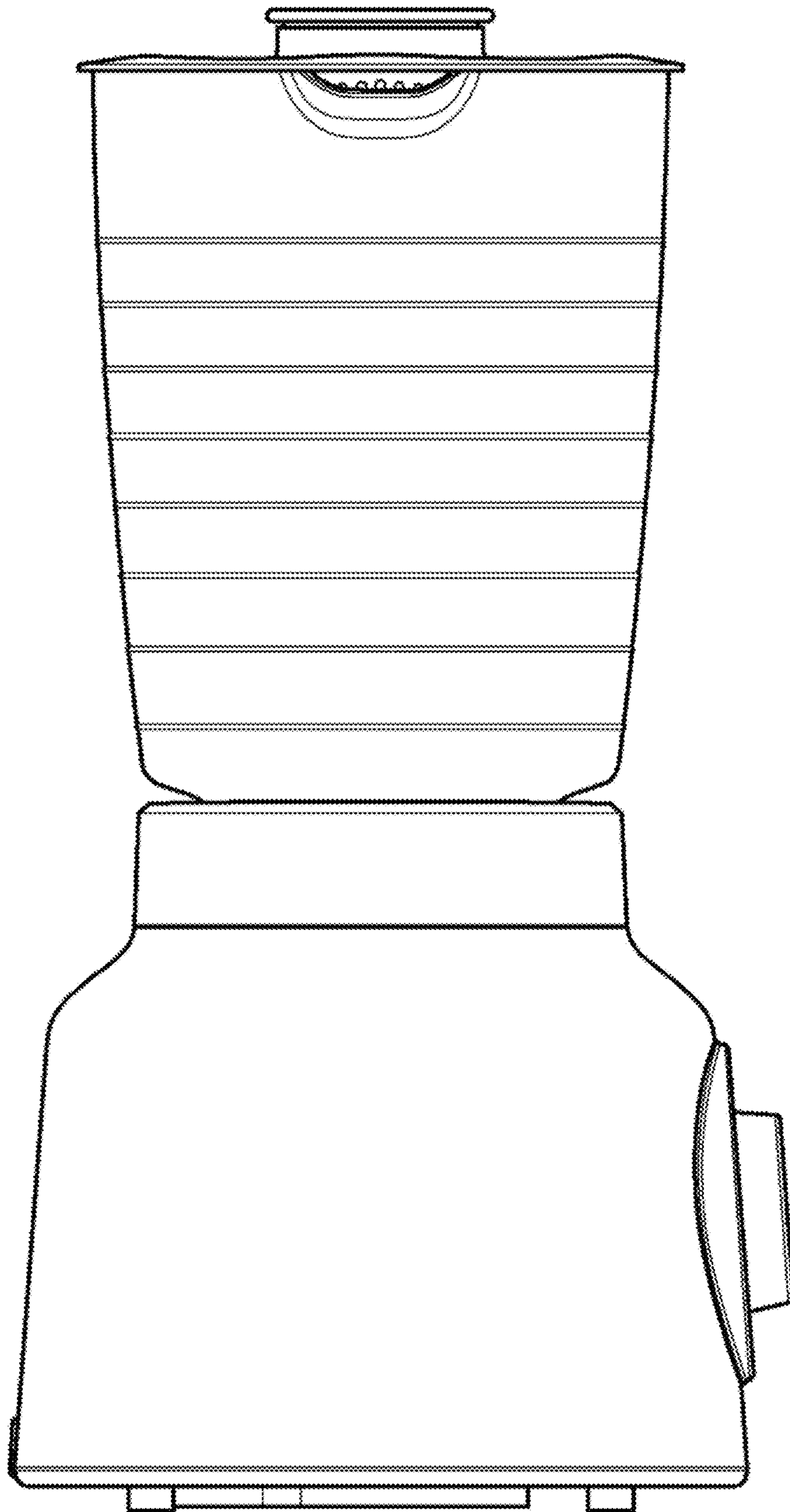
1.2



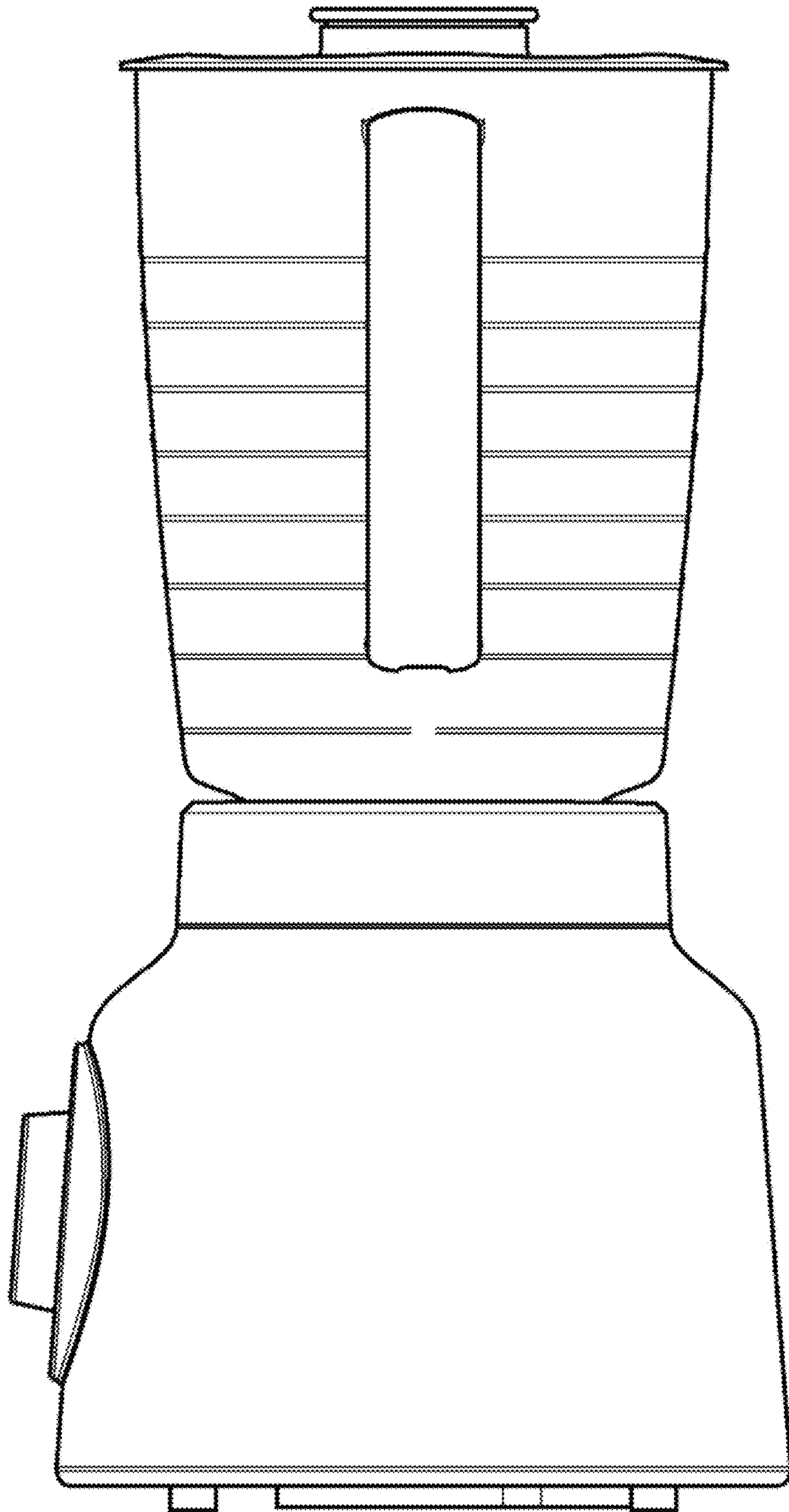
1.3



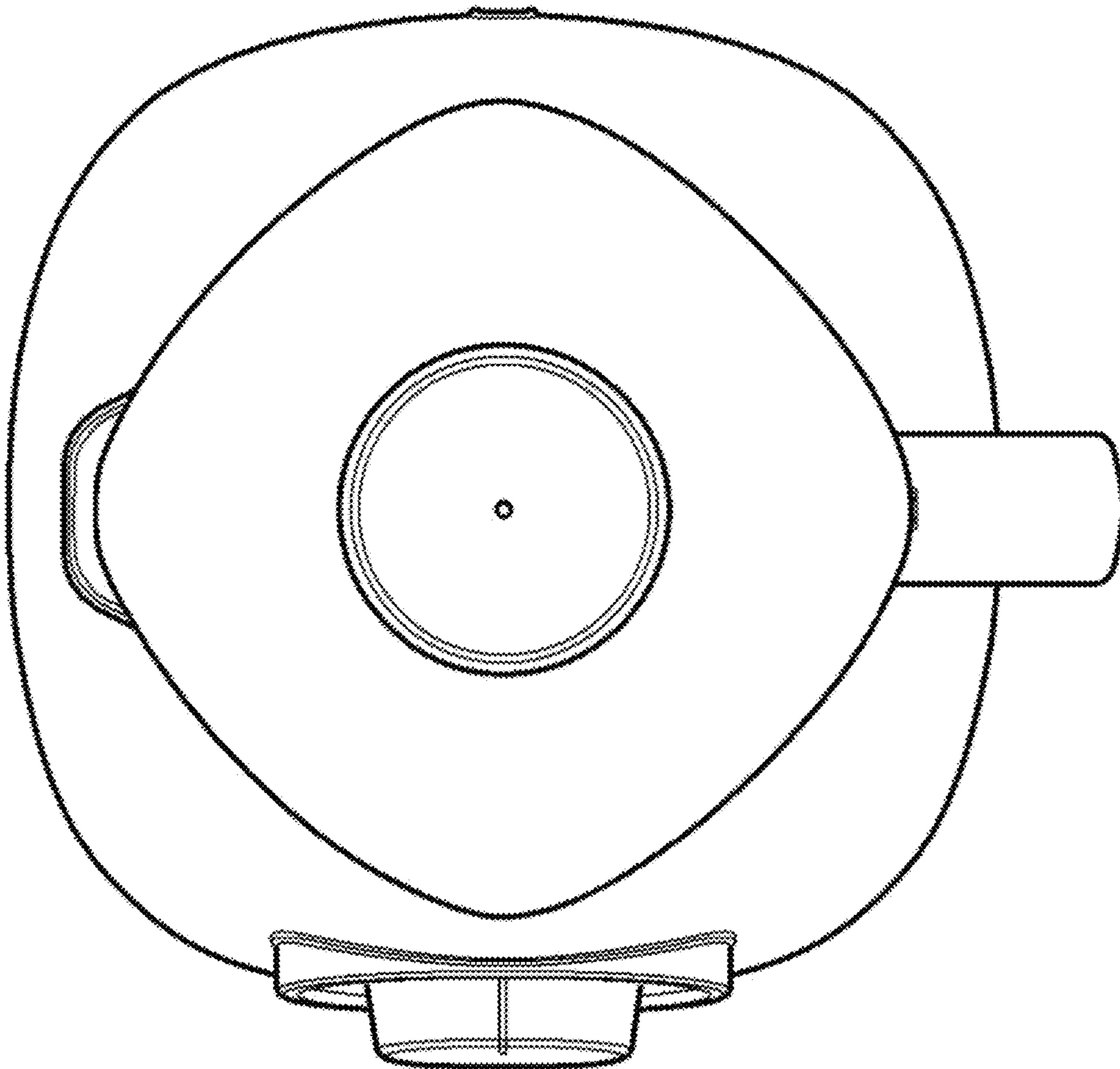
1.4



1.5



1.6



1.7

