



US00D820032S

(12) **United States Design Patent** (10) **Patent No.:** **US D820,032 S**
Mirchandani et al. (45) **Date of Patent:** **** *Jun. 12, 2018**

- (54) **PAN**
- (71) Applicants: **TRISTAR PRODUCTS, INC.**,
Fairfield, NJ (US); **KE M.O. HOUSE**
CO., LTD., Shenzhen (CN)
- (72) Inventors: **Keith Mirchandani**, Fairfield, NJ (US);
Mo-Tsan Tsai, Shenzhen (CN)
- (73) Assignees: **Tristar Products, Inc.**, Fairfield, NJ
(US); **KE M.O. House Co., Ltd.**,
Shenzhen (CN)
- (*) Notice: This patent is subject to a terminal dis-
claimer.
- (**) Term: **15 Years**
- (21) Appl. No.: **29/588,232**
- (22) Filed: **Dec. 19, 2016**

Related U.S. Application Data

- (63) Continuation of application No. 29/552,601, filed on
Jan. 24, 2016, now Pat. No. Des. 778,103, which is a
(Continued)

(30) **Foreign Application Priority Data**

- Dec. 1, 2015 (CN) 2015 3 0493868
- (51) **LOC (11) Cl.** **07-02**
- (52) **U.S. Cl.**
USPC **D7/360; D7/354; D7/361**
- (58) **Field of Classification Search**
USPC D7/323, 354-363, 391, 393-396, 409
CPC A47G 19/12; A47J 27/00; A47J 27/002;
A47J 27/08; A47J 27/21; A47J 27/58;
A47J 36/025; A47J 36/06; A47J 36/12;
A47J

(Continued)

(56) **References Cited**

U.S. PATENT DOCUMENTS

D27,936 S	12/1897	Schmidt
2,085,220 A	6/1937	Howlett

(Continued)

FOREIGN PATENT DOCUMENTS

CA	1040246 A	10/1978
CA	2119705 A1	9/1994

(Continued)

OTHER PUBLICATIONS

Amazon.com, Lodge Cast Iron Square Grill Pan, 1 page.
(Continued)

Primary Examiner — Ricky Pham

(74) *Attorney, Agent, or Firm* — Adler Pollock &
Sheehan P.C.; Daniel J. Holmander, Esq.

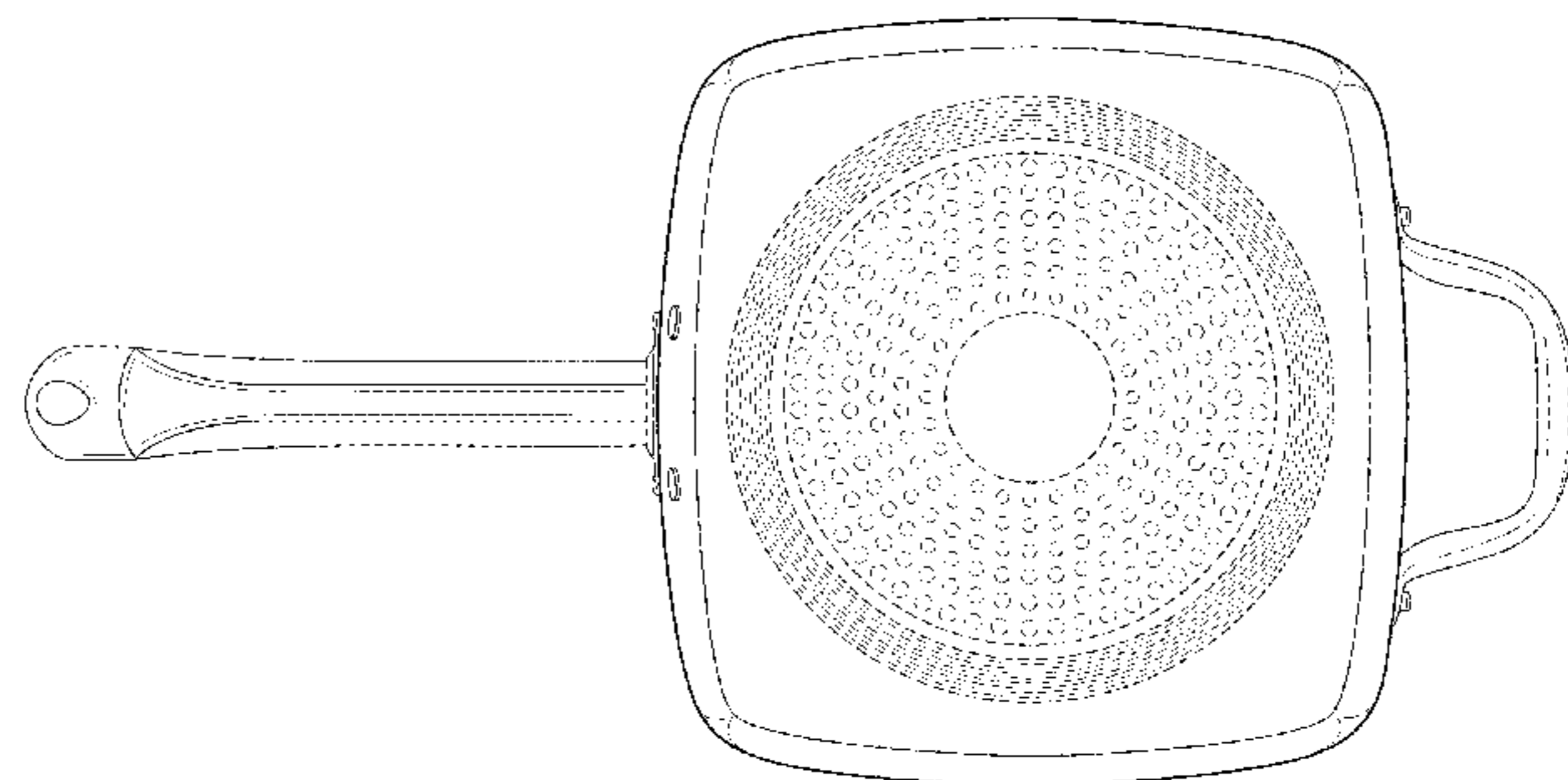
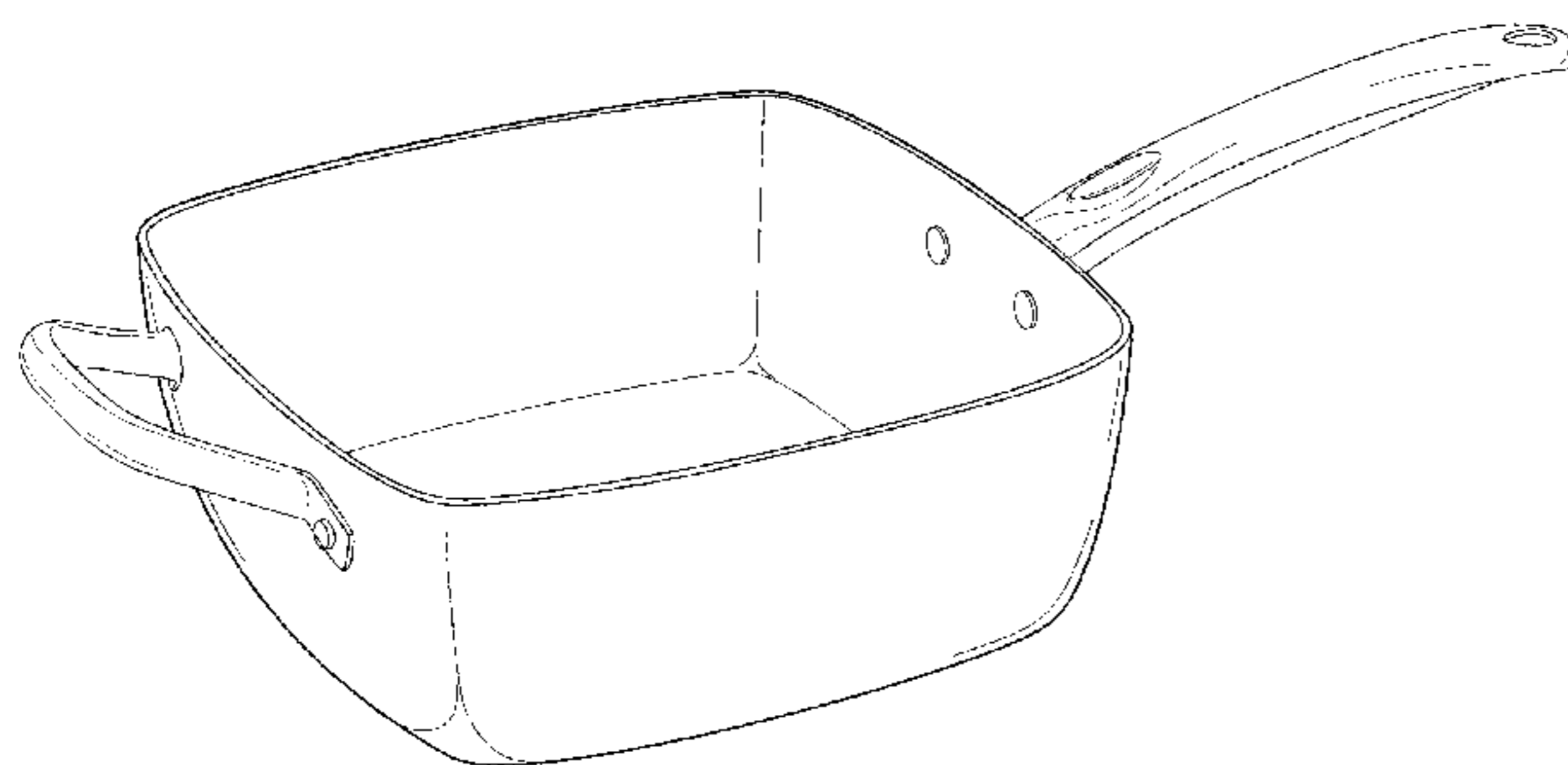
(57) **CLAIM**

The ornamental design for a pan, as shown and described.

DESCRIPTION

FIG. 1 is a perspective view of the pan;
 FIG. 2 is a front view thereof;
 FIG. 3 is a rear view thereof;
 FIG. 4 is a right side view thereof;
 FIG. 5 is a left side view thereof;
 FIG. 6 is a top view thereof;
 FIG. 7 is a bottom view thereof; and,
 FIG. 8 is a right side view of the pan of FIG. 1 positioned
 over a gas stove burner, which is shown in broken lines.
 The elements depicted in broken lines in the various figures
 are included for environmental purposes only, and form no
 part of the claimed design. In an alternative embodiment, the
 pan may have one or more handles.

1 Claim, 8 Drawing Sheets



Related U.S. Application Data

continuation-in-part of application No. 29/547,842,
filed on Dec. 8, 2015.

(58) **Field of Classification Search**

CPC 37/00; A47J 37/10; A47J 37/101; A47J
37/103; A47J 37/12; A47J 37/1204; A47J
45/061; A47J 45/071; A47J 45/08; H05B
6/12

See application file for complete search history.

(56)

References Cited

U.S. PATENT DOCUMENTS

D147,000 S 6/1947 Weymiss
D169,799 S 6/1953 Bourne-Vanneck
D176,328 S 12/1955 Hampshire
2,872,561 A 2/1959 Humphrey
D199,748 S 12/1964 De Fano
3,179,277 A 4/1965 Olson
3,384,195 A 5/1968 Ivar
D215,467 S 10/1969 Salkoff
D218,348 S 8/1970 Aubecq
D219,047 S 10/1970 Gibson
3,847,068 A 11/1974 Beer et al.
D246,884 S 1/1978 Finke
4,258,694 A 3/1981 Kato
D263,670 S 4/1982 Schawalder
D280,175 S 8/1985 Bassett
D280,589 S 9/1985 Bassett
D280,590 S 9/1985 Schrage
4,574,777 A 3/1986 Bohl et al.
D292,470 S 10/1987 Oh
4,926,843 A 5/1990 Vocke et al.
D338,370 S 8/1993 Takeda
5,323,693 A 6/1994 Collard et al.
5,395,741 A 3/1995 Marchman
5,396,834 A 3/1995 Gambini
5,497,696 A 3/1996 Coudurier et al.
D372,394 S 8/1996 Rossiaud
D373,286 S 9/1996 Antonio
D373,287 S 9/1996 Antonio
D374,149 S 10/1996 Candianides
5,562,023 A 10/1996 Harrison
D377,438 S 1/1997 Brunianyn
D392,152 S 3/1998 Rae
5,884,555 A 3/1999 Chang
D414,981 S 10/1999 Roskind et al.
5,967,024 A 10/1999 DeMars
D426,107 S 6/2000 Cheng
D431,151 S 9/2000 Brunianyn
D443,467 S 6/2001 Bradley
D443,794 S 6/2001 Garber et al.
D445,642 S 7/2001 Rae
D449,204 S 10/2001 Groll
D450,217 S 11/2001 Rae
D458,796 S 6/2002 Kellermann
D458,797 S 6/2002 Kellermann
D458,798 S * 6/2002 Kellermann D7/360
6,439,110 B1 8/2002 Lin
D467,462 S 12/2002 Teisen-Simony et al.
D470,716 S 2/2003 Kloppsteck
6,523,460 B1 2/2003 Lange
D472,759 S 4/2003 Teisen-Simony et al.
D482,233 S 11/2003 Rae
D510,233 S 10/2005 Giannone
D520,811 S 5/2006 Spagnolo
D522,308 S 6/2006 Ball et al.
D534,031 S * 12/2006 Roussard D7/358
D549,041 S 8/2007 Kellermann et al.
D555,418 S 11/2007 Cheng
D555,421 S 11/2007 Thurlow et al.
D559,032 S 1/2008 Kellermann et al.
D562,060 S 2/2008 Kloppsteck
D562,621 S 2/2008 Kloppsteck
7,415,922 B2 8/2008 Cheng

D579,714 S 11/2008 Cheng et al.
D581,721 S 12/2008 Rae
D585,734 S 2/2009 Doliwa
D586,177 S 2/2009 Loring
D586,612 S 2/2009 Rae
D587,519 S 3/2009 Cheng et al.
D588,402 S 3/2009 Rae
D589,741 S 4/2009 Gerlach
D592,450 S 5/2009 Rae
D594,270 S 6/2009 Rae
D594,271 S 6/2009 Bodum
D596,896 S 7/2009 Munari
D614,445 S 4/2010 Ferron et al.
D618,491 S 6/2010 Welk et al.
D618,505 S 6/2010 Rae
D621,652 S * 8/2010 Dodane D7/354
D627,193 S 11/2010 Marin
D631,281 S 1/2011 Bodum
D637,861 S * 5/2011 Degnan D7/354
D639,602 S 6/2011 Bodum
D641,585 S * 7/2011 Cheng D7/354
D642,013 S 7/2011 Rae
D642,426 S 8/2011 Rae
D642,427 S 8/2011 Rae
D651,037 S 12/2011 Moodie et al.
D654,307 S 2/2012 Loaiza
D657,992 S 4/2012 Moodie et al.
D661,946 S 6/2012 Bogani
D662,357 S 6/2012 Moulin
D662,775 S 7/2012 Moulin
D663,582 S 7/2012 Moulin
D664,000 S 7/2012 Moulin
D667,685 S 9/2012 Rae
D669,730 S 10/2012 Mandil
D672,604 S 12/2012 Upston et al.
D682,012 S 5/2013 Lin
D682,013 S 5/2013 Huang
D685,222 S 7/2013 Dang
D689,326 S 9/2013 Ortegon et al.
D692,721 S 11/2013 Rae
D693,627 S 11/2013 Moon et al.
D696,059 S 12/2013 Bourbeau
D696,060 S 12/2013 Schleinzner
D697,751 S 1/2014 Schleinzner
D702,486 S 4/2014 Bowden et al.
D710,647 S 8/2014 Mandil et al.
D711,184 S 8/2014 Bowden et al.
D711,185 S 8/2014 Bowden et al.
D712,193 S 9/2014 Nagrani
D712,194 S 9/2014 Thonis
D717,101 S 11/2014 Shin
D717,583 S 11/2014 Shin
D720,177 S * 12/2014 Genatossio D7/354
D732,335 S 6/2015 Thonis
D734,091 S 7/2015 Moon et al.
D746,628 S * 1/2016 Nagrani D7/354
D751,334 S 3/2016 Pan
D751,860 S 3/2016 McConnell et al.
9,277,836 B2 3/2016 Dalton et al.
D752,912 S 4/2016 Venot et al.
D758,123 S 6/2016 Gabbay
D758,128 S 6/2016 McConnell et al.
D761,614 S * 7/2016 Zemel D7/354
D764,857 S 8/2016 McConnell et al.
D766,647 S 9/2016 Calkins
D772,641 S * 11/2016 Mirchandani D7/354
D776,477 S * 1/2017 Mirchandani D7/354
D777,506 S * 1/2017 Mirchandani D7/354
D778,103 S * 2/2017 Mirchandani D7/354
D778,664 S * 2/2017 Mirchandani D7/354
D783,338 S 4/2017 Mirchandani et al.
9,642,492 B2 5/2017 Wang et al.
D790,908 S 7/2017 Mirchandani et al.
D790,909 S 7/2017 Mirchandani et al.
D791,529 S 7/2017 Mirchandani et al.
2005/0211106 A1 9/2005 Dierkes
2006/0096467 A1 5/2006 Dominguez
2007/0193575 A1 8/2007 Jan
2008/0035139 A1 2/2008 Marin

(56)

References Cited

U.S. PATENT DOCUMENTS

2009/0007801 A1 1/2009 Giner Pena et al.
 2009/0152276 A1 6/2009 Groll
 2010/0083949 A1 4/2010 Lisheng
 2010/0206884 A1 8/2010 Tunstall
 2012/0090476 A1 4/2012 Wang et al.
 2012/0199016 A1 8/2012 Droese
 2012/0325095 A1 12/2012 O'Donnell
 2013/0200080 A1 8/2013 Dalton et al.
 2014/0353316 A1 12/2014 Lin
 2015/0001226 A1 1/2015 Groll

FOREIGN PATENT DOCUMENTS

CA 2203683 A1 6/1998
 CA 2316515 A1 2/2001
 CA 144241 S 7/2013
 CN 2517345 Y 10/2002
 CN 03353517.5 6/2004
 CN 200430023243.4 12/2004
 CN 300743744 2/2008
 CN 200730123163.X 7/2008
 CN 201150477 Y 11/2008
 CN 200730319097.3 12/2008
 CN 200830078454.6 7/2009
 CN 301060141 11/2009
 CN 200830261699 11/2009
 CN 201481139 U 5/2010
 CN 301355624 9/2010
 CN 201668262 U 12/2010
 CN 301766853 12/2011
 CN 201130130856.8 S 12/2011
 CN 302846862 6/2014
 CN 303401337 10/2015
 CN 201530109145.0 10/2015
 CN 303435718 11/2015
 CN 303503839 12/2015
 EM CM000368949-0001 7/2005
 EM 001112353-0001 5/2009
 EM 001171466-0002 10/2009
 EM 001610098-0001 10/2009
 EM 002376947-0036 A1 10/2011
 EM CM001994369-0032 2/2012
 EM 001320717-0001 4/2012
 EM 002302760-0029 9/2013
 EM CM002302760-0021 9/2013
 EM 002445940-0017 4/2014
 EM 002445940-0025 4/2014
 EM 002633578-0007 4/2015
 EP 0246607 A1 11/1987
 FR 2753363 A1 3/1998
 GB 673087 A 6/1952
 GB 678824 A 9/1952
 GB 772268 A 4/1957
 GB 850786 A 10/1960
 GB 991511 A 5/1965
 GB 2466691 A 7/2010
 GB 2478145 A 8/2011
 HK 1002396.2 6/2010
 JP 1330281 5/2008
 JP 1408442 2/2011
 JP 1534683 S 10/2015
 KR 300829009.0000 12/2015
 WO WO-2011104332 A1 9/2011
 WO WO-2011161648 A1 12/2011
 WO WO-PCT/IB2011/052768 12/2015

OTHER PUBLICATIONS

Amazon.com, Advanced Hard-Anodized 11 Inch Deep Square Grill, 1 page.
 Amazon.com, Vremi Cast Iron Grill Pan, 1 page.
 Amazon.com, Rachel Ray Hard Anodized Grill Pan, 1 page.

Amazon.com, Guro Cast Iron Pre-Seasoned Roud Grill Pan Skillet, 1 page.
 Amazon.com, Calphalon Unison Nonstick Round Grill Pan, 1 page.
 Baba Asudaram Industries Square Deep Container/Sink Bowl at www.bai.net.in.
 American Metalcraft MRPS45 Bake Pan at www.rewonline.com.
 Tablecraft CWDC1020 CaterWare 3 qt. Square Die-Case Induction Ready Sauce Pan with Lid, at www.webstaurantestore.com.
 Brimioli Rocco Frigoverre Square Glass Container available at https://www.Amazon.com/Bormioli-Rocco-Frigoverre-Food-Storage-Containers/dp/BOOOODDVN5.
 Excerpt from American Metalcraft Catalog, date unkown.
 Black Diamond Induction Non-Stick Grill Pan, date unkown.
 Request for Ex Parte Reexamination of U.S. Pat. No. D. 772,641; May 3, 2017; 390 pages.
 Request for Ex Parte Reexamination of U.S. Pat. No. D. 778,103; May 3, 2017; 346 pages.
Tristar Products, Inc. v. E. Mishan & Sons, Inc.; Opinion; Civil No. 17/1204; 48 pages(D.NJ).
Tristar Products, Inc. v. Novel Brands LLC, C.A. No. 17-cv-00043 (D.R.I.).
Tristar Products, Inc. v. Tekno Products Inc., C.A. No. 16-cv-00681 (D.R.I.).
Tristar Products, Inc. v. TV Direct LLC, C.A. No. 17-cv-00060 (D.R.I.).
Tristar Products, Inc. v. E. Mishan and Sons Inc.; C.A. 17-cv-1204; 34 pages (D.NJ).
Tristar Products, Inc. v. E. Mishan & Sons, Inc.; C.A. No. 17-cv-01204; Defendant E. Mishan & Sons Inc.'s Response to Court Order to Show Cause; Part 1 of 3; pp. 1-150 (D.NJ).
Tristar Products, Inc. v. E. Mishan & Sons Inc.; C.A. No. 17-cv-01204; Answer, Affirmative Defenses and Counterclaims; 12 pages (D.NJ).
Tristar Products, Inc. v. E. Mishan & Sons, Inc.; C.A. No. 17-cv-01204; Tristar Products, Inc.'s Reply Brief in Support of its Motion for a Preliminary Injunction; 146 pages (D.NJ).
Tristar Products, Inc. v. E. Mishan and Sons Inc.; C.A. No. 17-cv-01204; Second Amended Complaint for Patent Infringement and Demand for Jury Trial; 82 pages (D.NJ).
 Request for Ex Parte Reexamination of U.S. Pat. No. D. 778664; 440 pages.
Tristar Products, Inc. v. E. Mishan and Sons Inc.; Complaint; 52 pages (D.NJ).
Tristar Products v. E. Mishan and Sons Inc.; 17-cv-01204; Second Amended Complaint; May 15, 2017; 82 pages (D.NJ).
Tristar Products, Inc. v. Telebrands; 17-cv-01206; Amended Complaint; Apr. 11, 2017; 68 pages (D.NJ).
Tristar Products, Inc. v. Penn LLC; 17-cv-02067; Complaint; Mar. 29, 2017; 65 pages (D.NJ).
 Order Granting Request for Ex Parte Reexamination for U.S. Pat. No. D. 778,664.
 Requester's Corrected Reply to Patent Owner's Statement in Response to Order Granting Ex Parte Reexamination of U.S. Pat. No. D. 772,641 dated Nov. 29, 2017 (292 pgs.).
 Requester's Reply to Patent Owner's Statement in Response to Order Granting Ex Parte Reexamination of U.S. Pat. No. D. 783,352 dated Nov. 29, 2017 (10 pgs.).
 Requester's Reply to Patent Owner's Statement in Response to Order Granting Ex Parte Reexamination of U.S. Pat. No. D. 778,103 dated Nov. 29, 2017 (356 pgs.).
 http://www.copperchef.com/ Available Dec. 18, 2015.
 Amazon.com, WaxonWare 11 Inch Non Stick Deep Square Grill Pan & Griddle, 1 page, May 15, 2017.
 Request for Ex Parte Reexamination of U.S. Pat. No. D. 772641; May 3, 2017; 390 pages.
 Request for Ex Parte Reexamination of U.S. Pat. No. D. 778664; Mar. 3, 2017; 437 pages.
Tristar Products, Inc. v. E. Mishan and Sons Inc.; C.A. No. 17-cv-01204; Amended Complaint for Patent Infringement and Demand for Jury Trial; 64 pages (D.NJ).
 Order Granting Request for Ex Parte Reexamination of U.S. Pat. No. 772,641 mailed Aug. 3, 2017.
 Order Granting Request for Ex Parte Reexamination of U.S. Pat. No. 778,103 mailed Aug. 2, 2017.

(56)

References Cited

OTHER PUBLICATIONS

Item No. E269 and E269GS available at http://hoteline.gr/pdf/Catalogue_2014_English_Web%20AMT.pdf.
W1024NL available at https://web.archive.org/web/20150317170437/http://frieling.com/wp-content/uploads/2014/12/frieling_woll_intro_catalog_email.pdf.

* cited by examiner

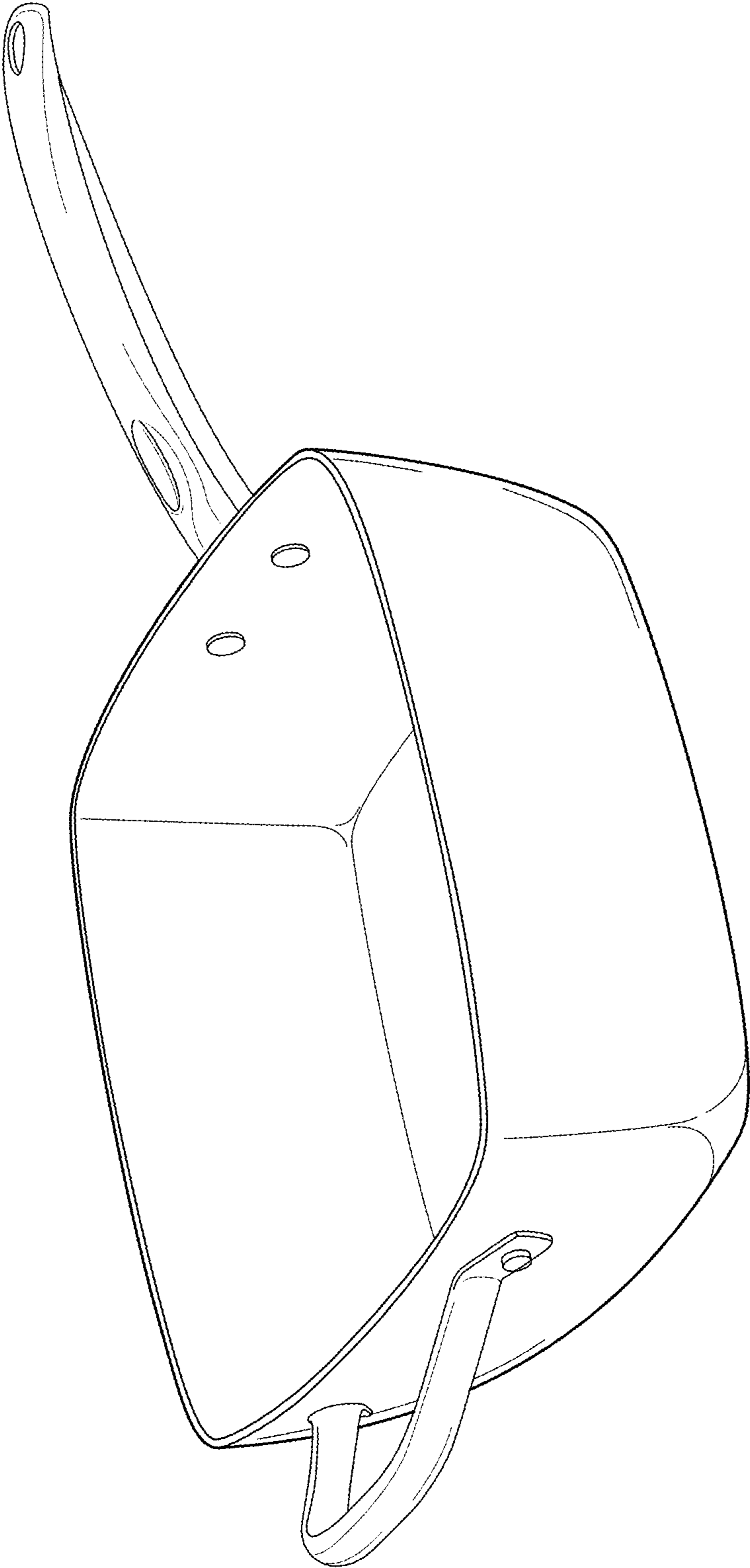


FIG. 1

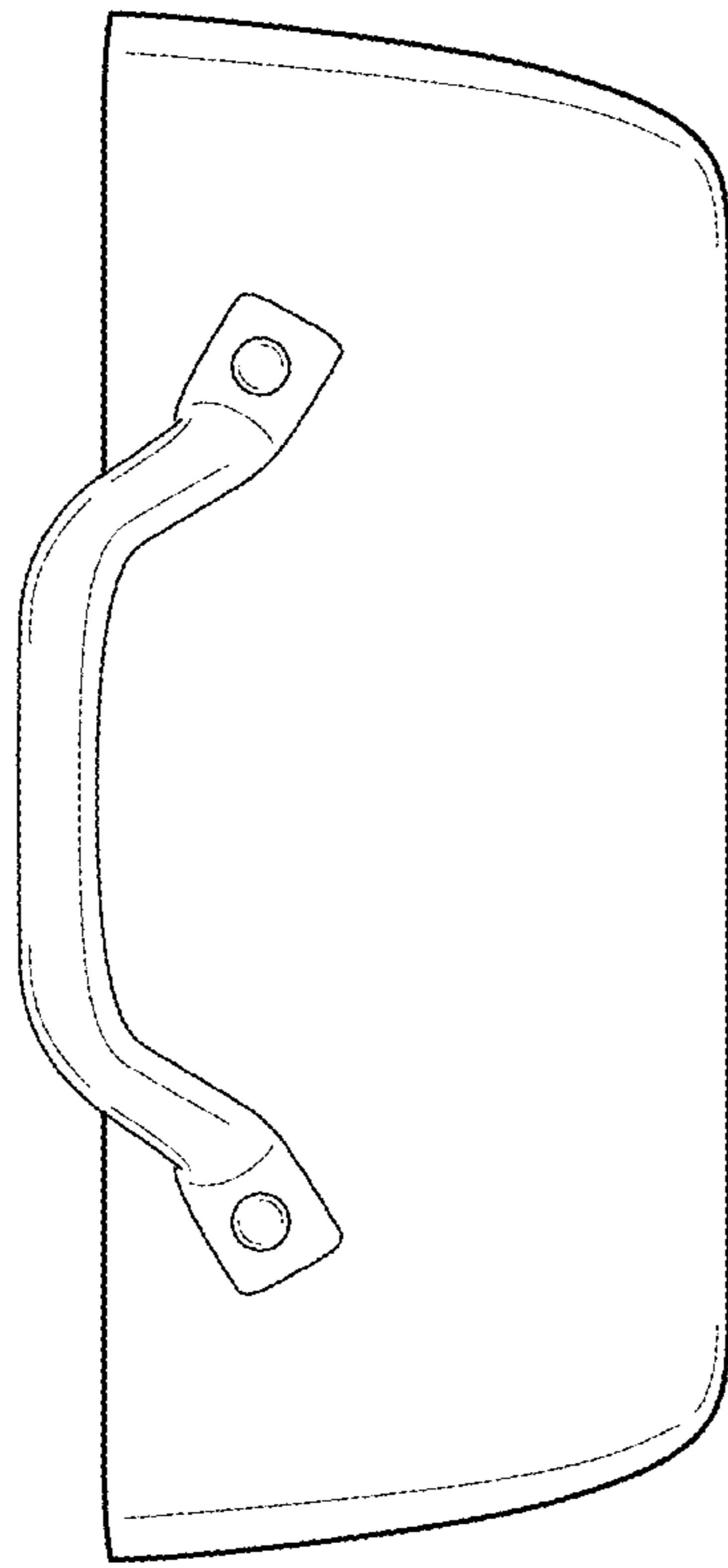


FIG. 2

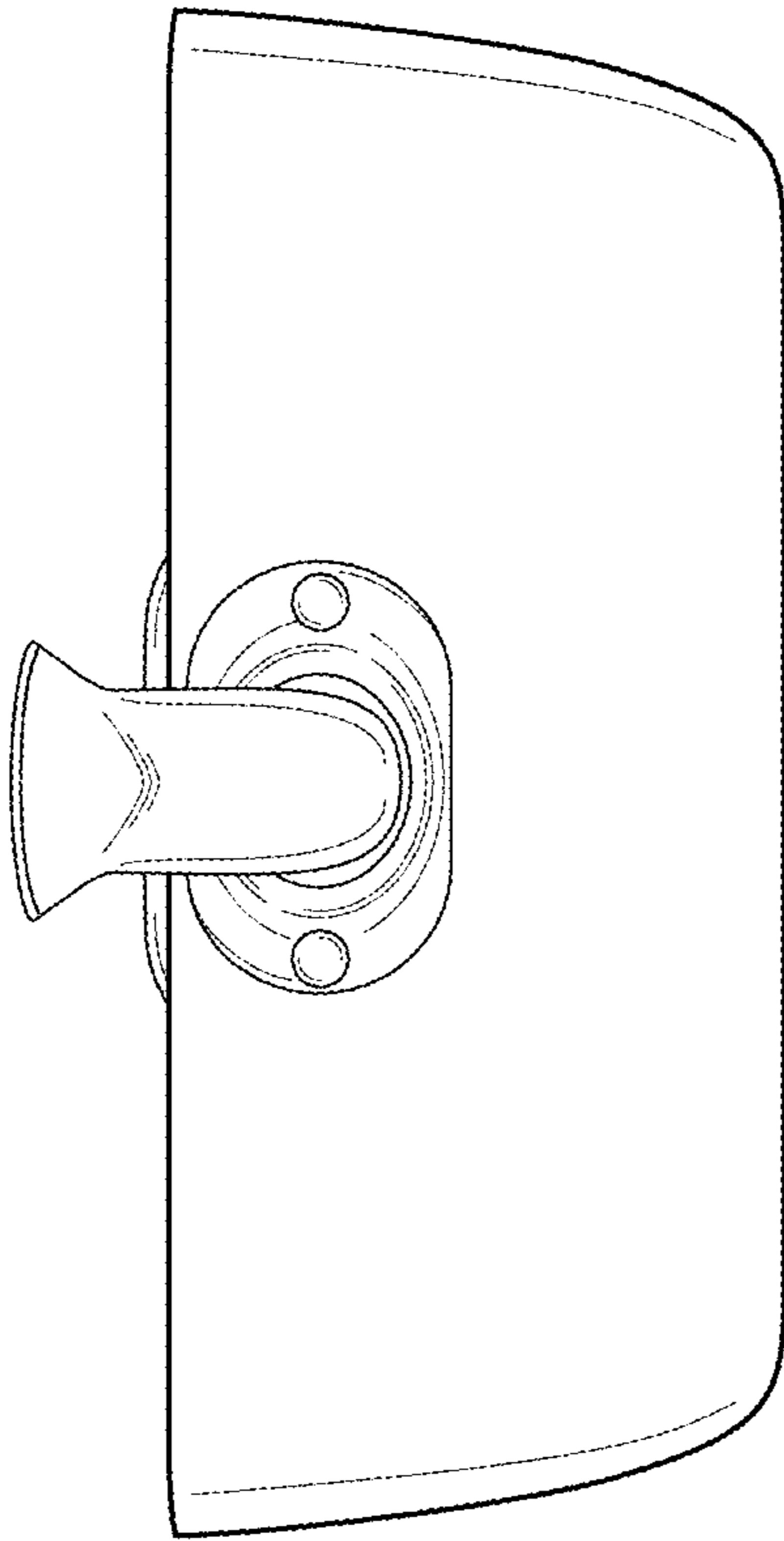


FIG. 3

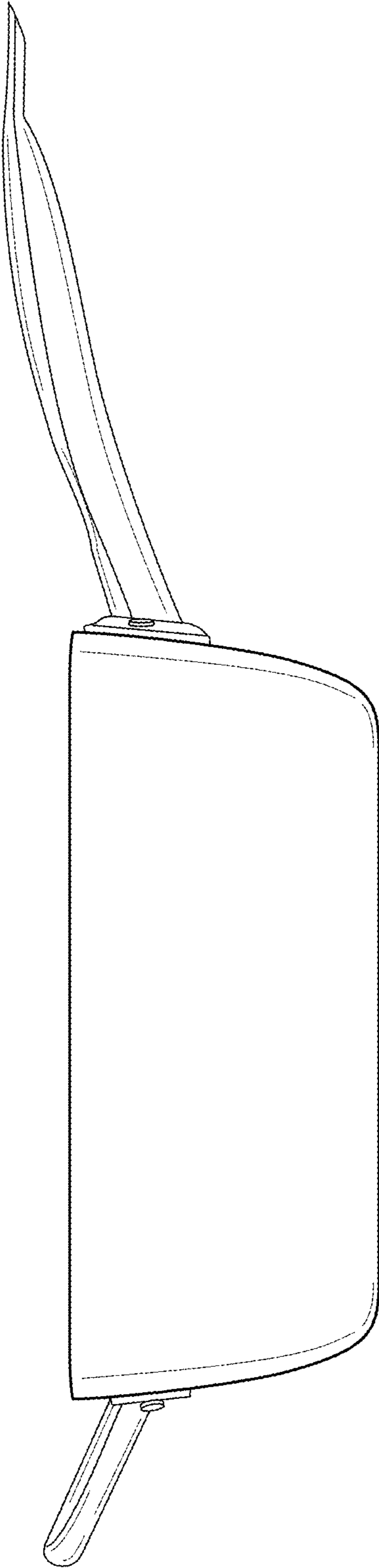


FIG. 4

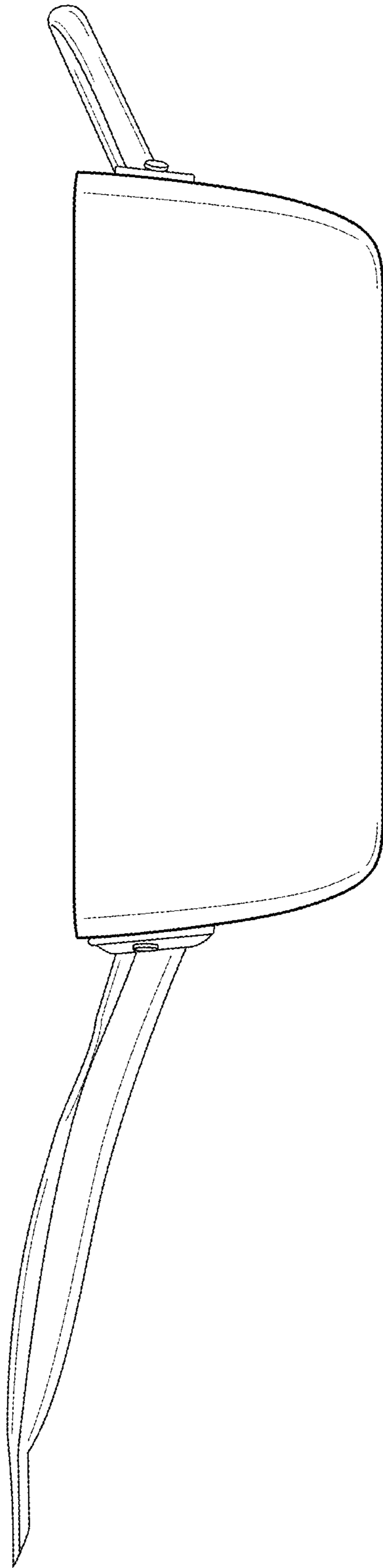


FIG. 5

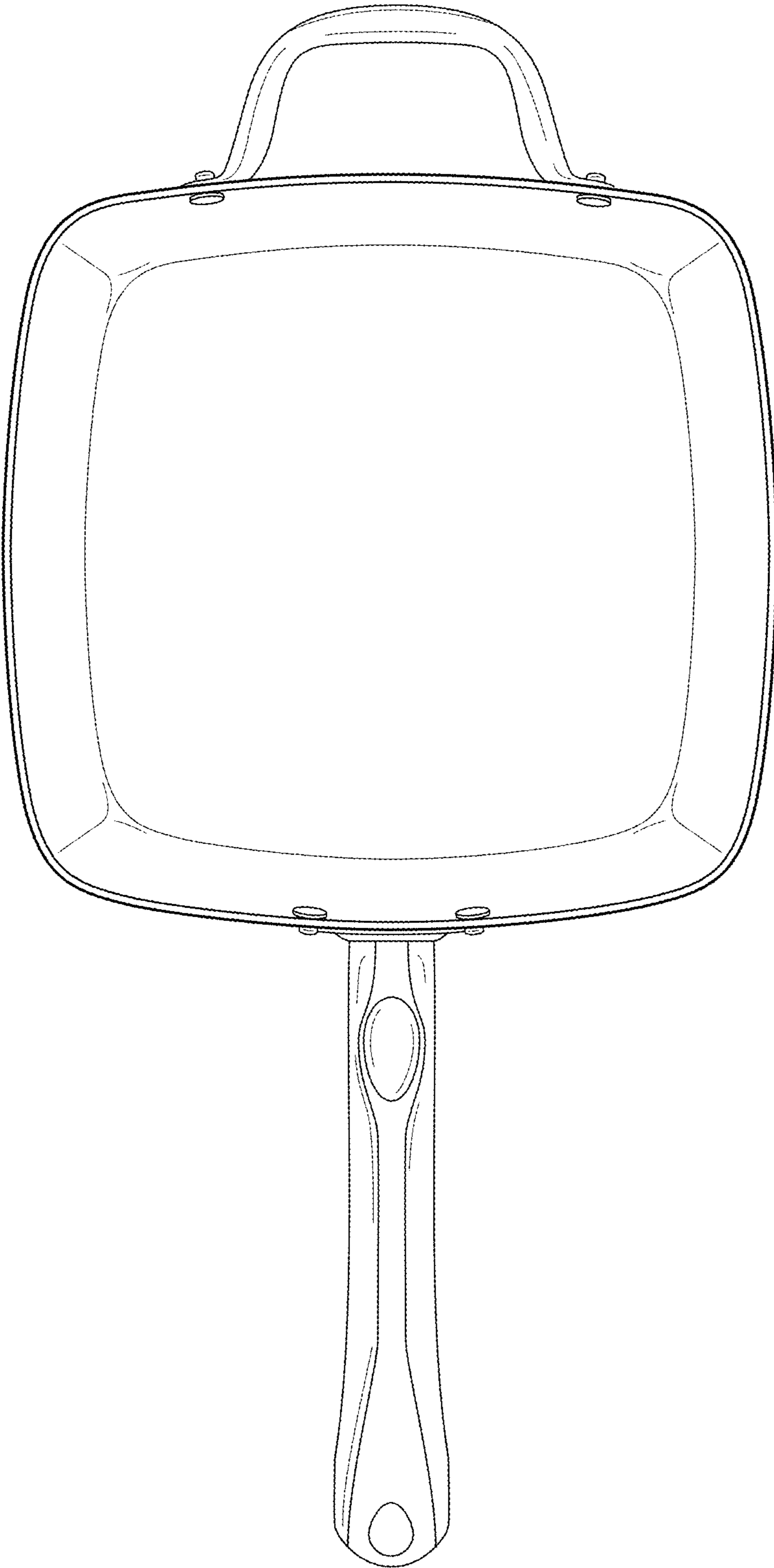


FIG. 6

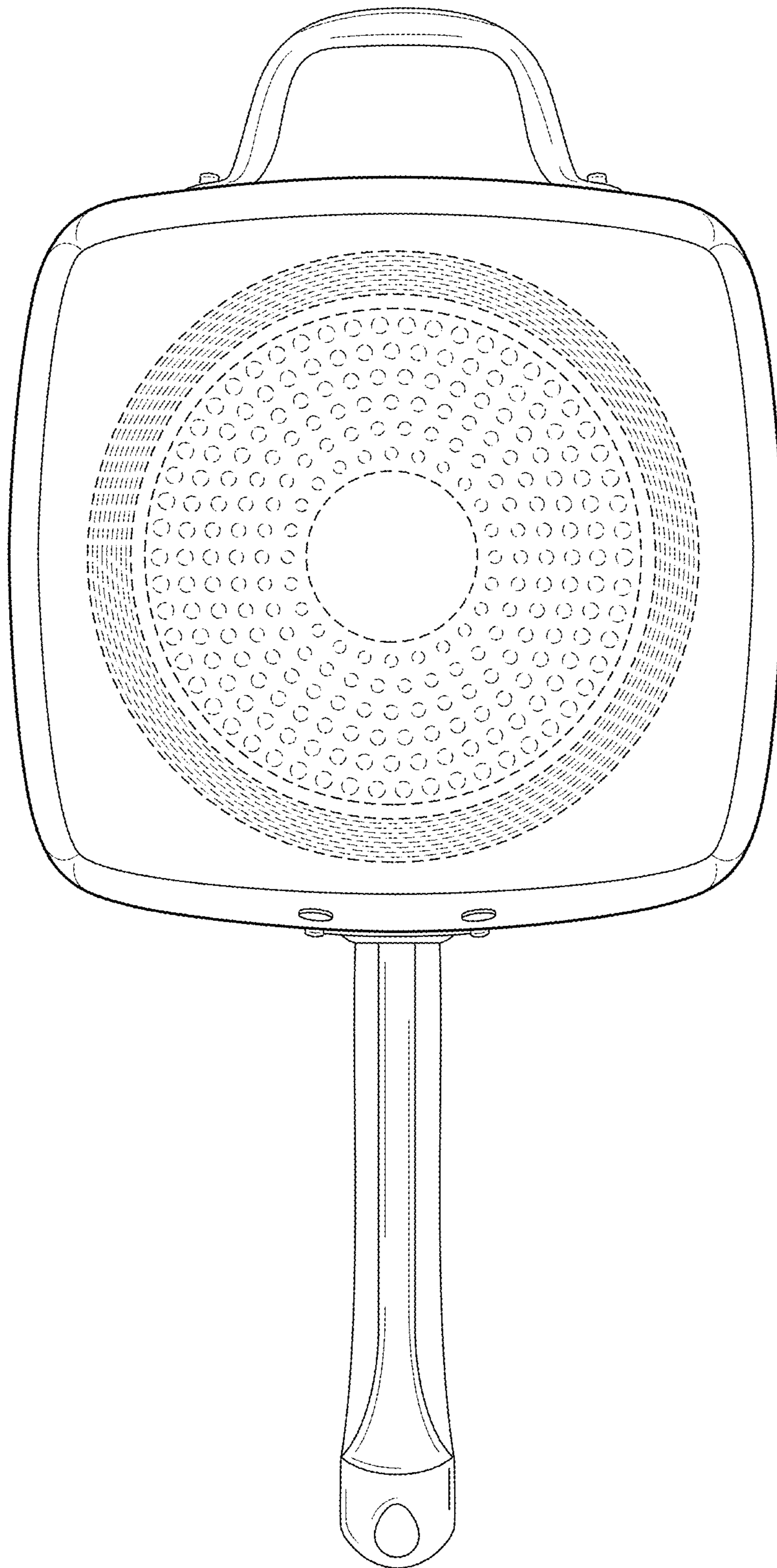


FIG. 7

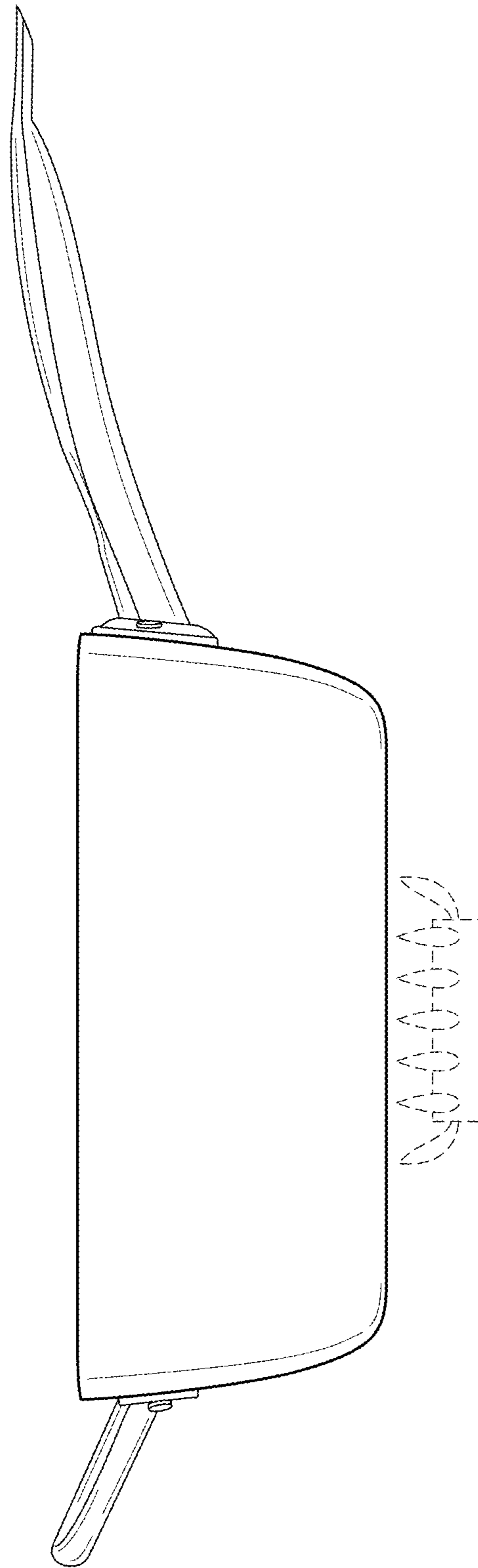


FIG. 8