



US00D820030S

(12) **United States Design Patent**  
**Zhang**

(10) **Patent No.:** **US D820,030 S**  
(45) **Date of Patent:** **\*\* Jun. 12, 2018**

- (54) **AIR FRYER**
- (71) Applicant: **Ningbo Careline Electric Appliance Co., Ltd.**, Ningbo, Zhejiang (CN)
- (72) Inventor: **Yichi Zhang**, Ningbo (CN)
- (73) Assignee: **NINGBO CARELINE ELECTRIC APPLIANCE CO., LTD.**, Ningbo, Zhejiang (CN)

6,499,390 B1 \* 12/2002 Huang ..... A47J 37/1209  
219/492  
6,807,899 B2 \* 10/2004 Dirand ..... A47J 37/1271  
219/438  
D533,393 S \* 12/2006 Sidet ..... D7/354  
D611,757 S \* 3/2010 Reiner ..... D7/354  
D680,800 S \* 4/2013 Berge ..... D7/354  
D680,802 S \* 4/2013 Seymour ..... D7/354  
D692,718 S \* 11/2013 Verbrugge ..... D7/354  
D719,397 S 12/2014 Krooshof  
D750,418 S \* 3/2016 Allende Fritsch ..... D7/354

(\*\*) Term: **15 Years**

**OTHER PUBLICATIONS**

(21) Appl. No.: **29/605,079**

Amazon.com:GoWISE USA Electric Digital Air Fryer w/ Button Guard & Detachable Basket 2.75 QT, 1350W (2.7 QT, Red), <https://www.amazon.com/GoWISE-USA-Electric-Digital-Detachable/dp/B01EZAHOHU>, May 22, 2017.

(22) Filed: **May 23, 2017**

(51) **LOC (11) Cl.** ..... **07-02**

(52) **U.S. Cl.**  
USPC ..... **D7/354**

\* cited by examiner

(58) **Field of Classification Search**  
USPC ..... D7/323, 354-361, 402  
CPC ..... A23L 1/01; A23L 1/0107; A23L 1/0114;  
A47J 27/00; A47J 27/08; A47J 27/09;  
A47J 27/092; A47J 36/025; A47J 36/06;  
A47J 36/08; A47J 36/10; A47J 36/12;  
A47J 36/165; A47J 36/18; A47J 36/20;  
A47J 36/22; A47J 37/00; A47J 37/12;  
A47J 37/1204; A47J 37/1209; A47J  
37/1214; A47J 37/1219; A47J 37/1266;  
A47J 37/1285; A47J 37/129; A47J  
37/1295; A47J 37/1271; G07F 17/0064;  
G07F 17/0078; G07F 17/0085; H05B  
6/02; H05B 6/06; H05B 6/12

*Primary Examiner* — Freda S Nunn  
(74) *Attorney, Agent, or Firm* — Venjuris, PC

See application file for complete search history.

(57) **CLAIM**

The ornamental design for an air fryer, as shown and described.

(56) **References Cited**

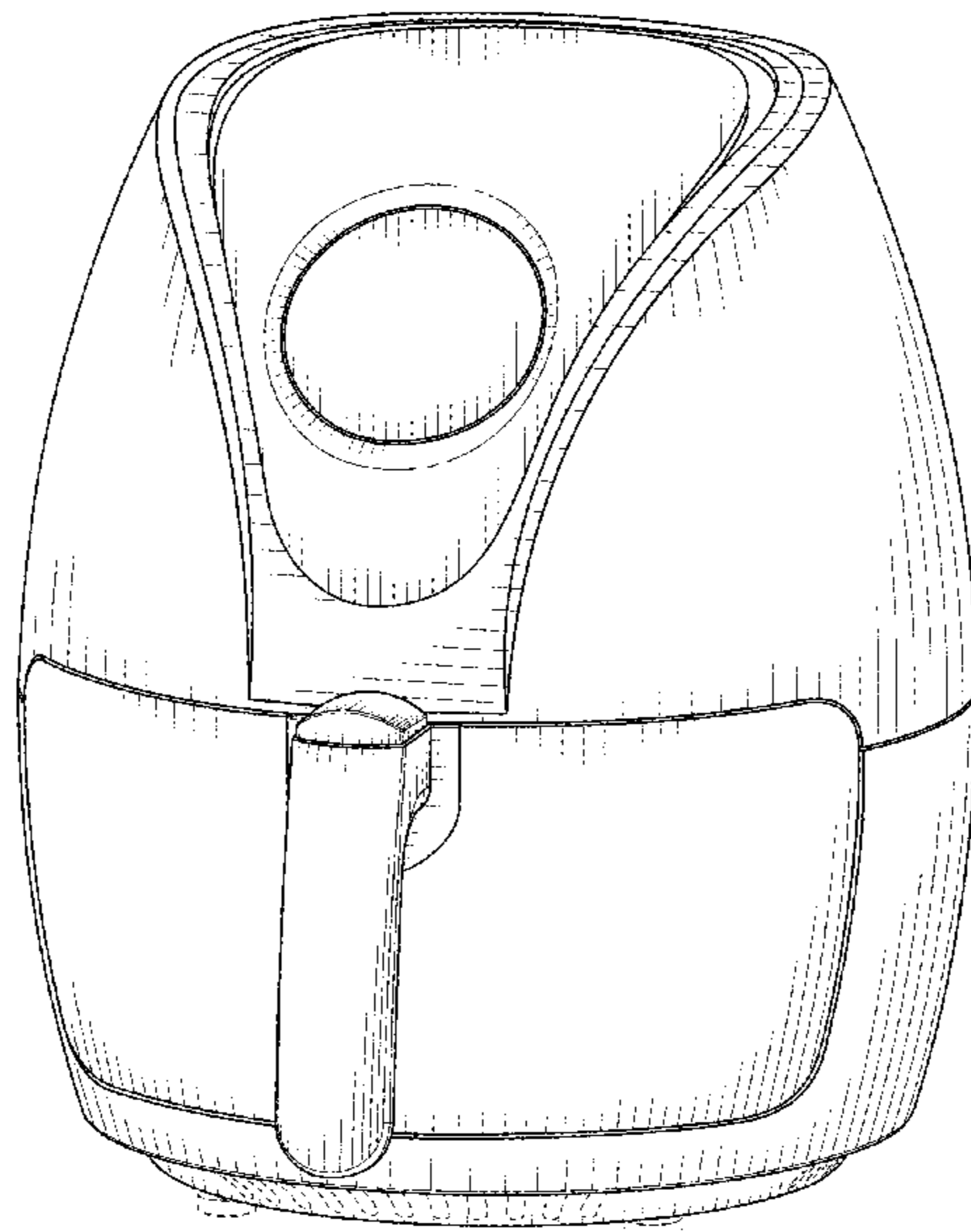
**DESCRIPTION**

FIG. 1 is a perspective view of an air fryer showing the new design;  
FIG. 2 is a front view thereof;  
FIG. 3 is a back view thereof;  
FIG. 4 is a right side view thereof;  
FIG. 5 is a left side view thereof;  
FIG. 6 is a top view thereof; and,  
FIG. 7 is a bottom view thereof.  
The broken lines shown in the drawings form no part of the claimed design.

**U.S. PATENT DOCUMENTS**

D369,270 S \* 4/1996 Payen ..... D7/323  
D436,795 S \* 1/2001 Martres ..... D7/354

**1 Claim, 7 Drawing Sheets**



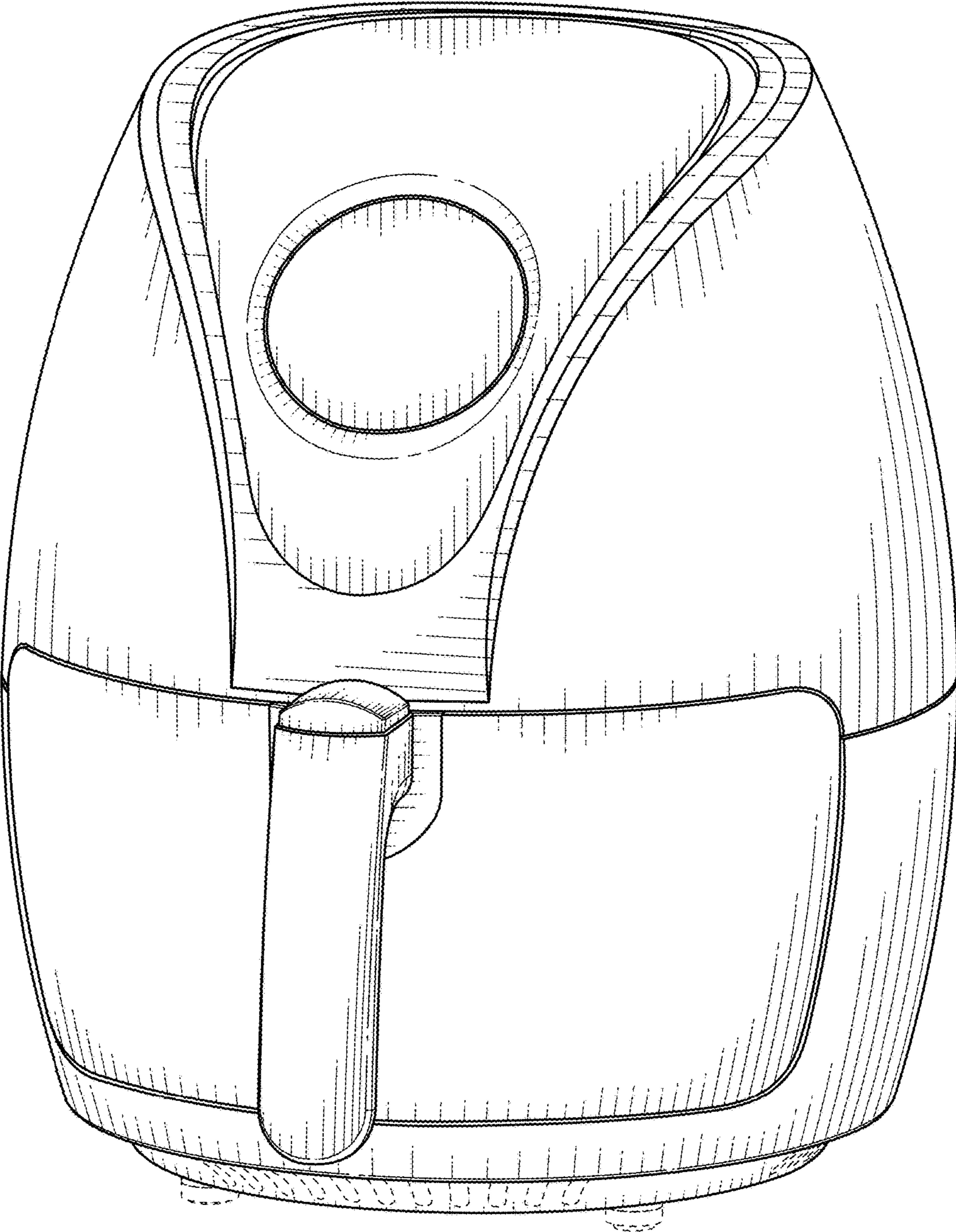


FIG. 1

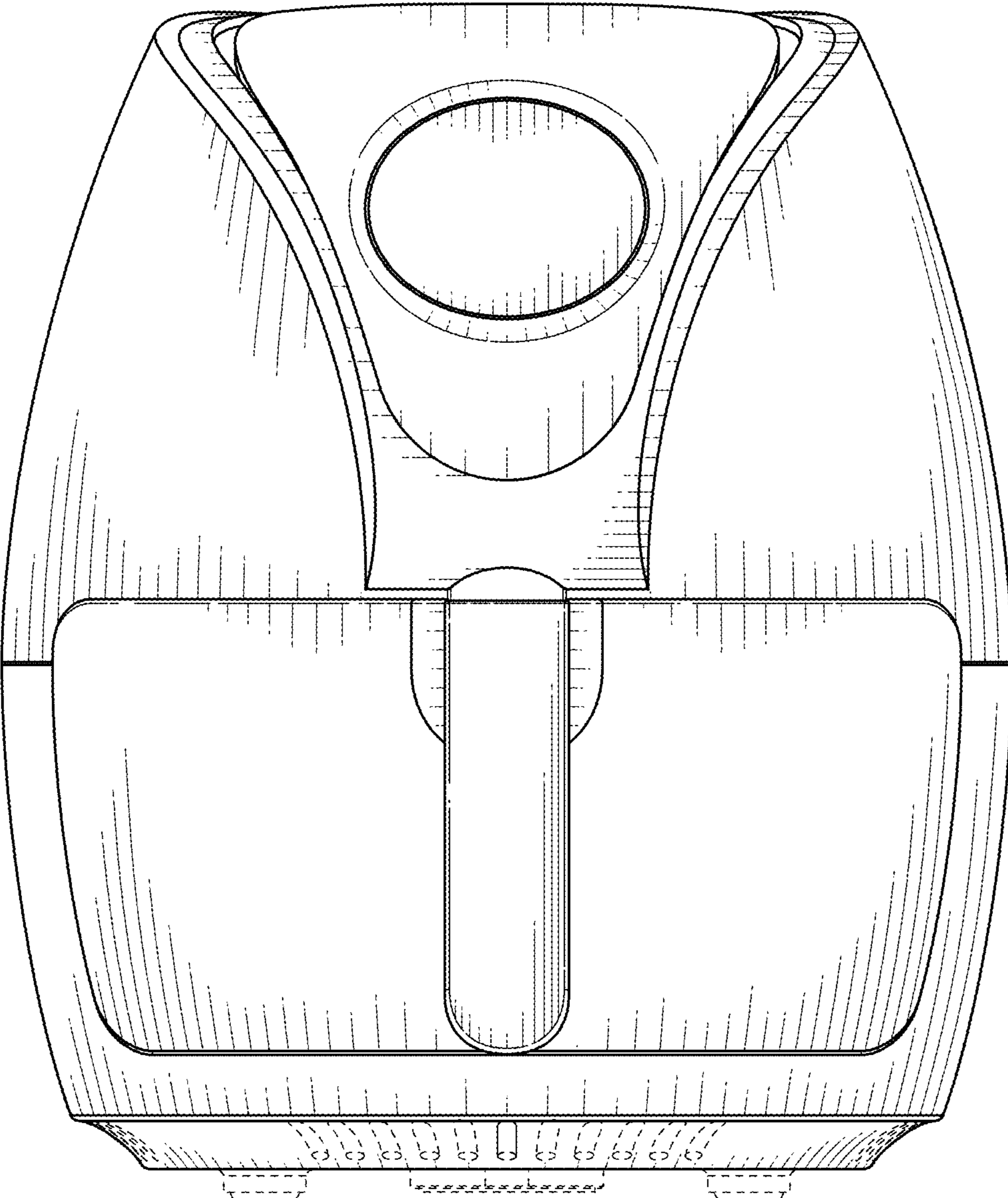


FIG. 2

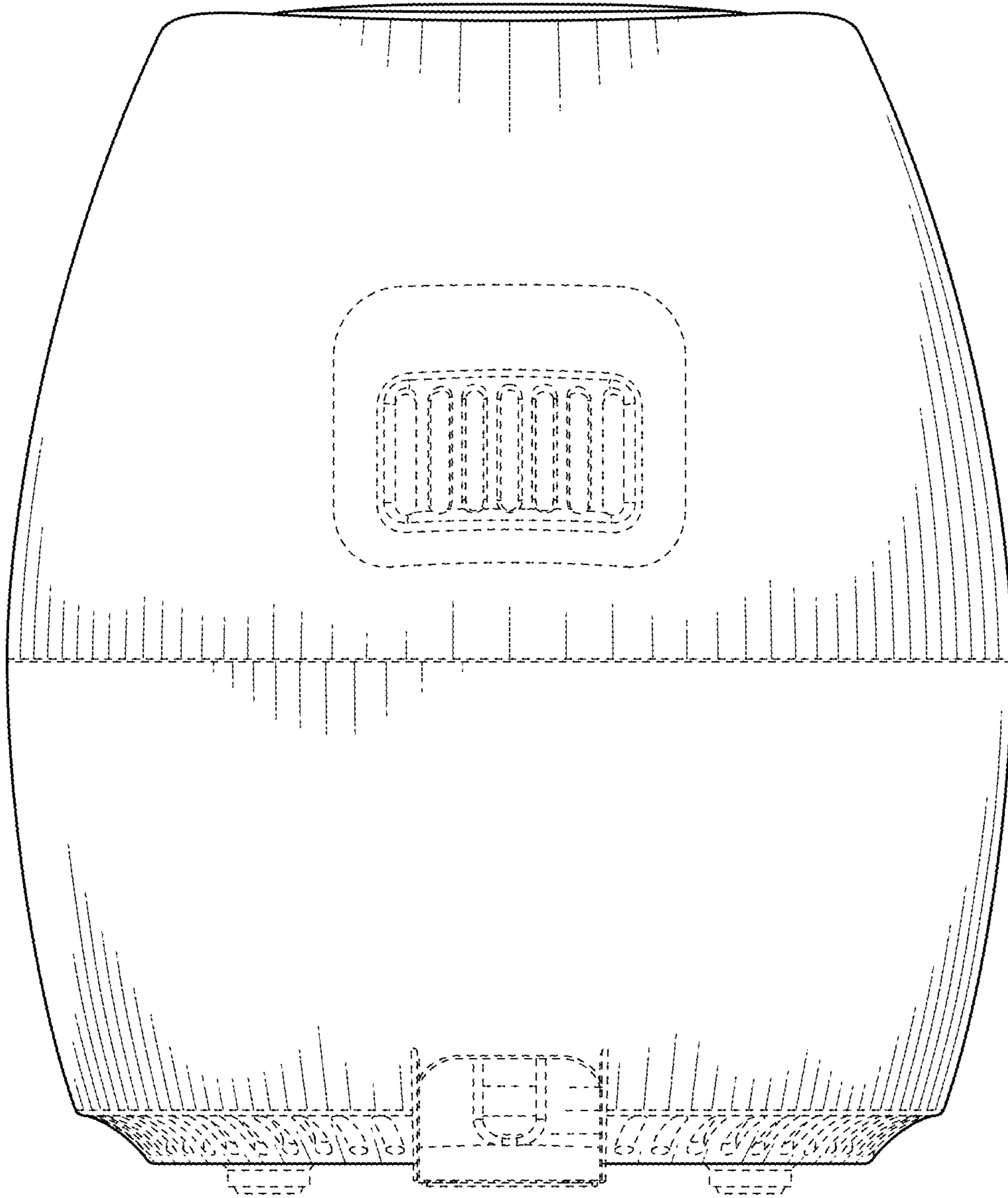


FIG. 3



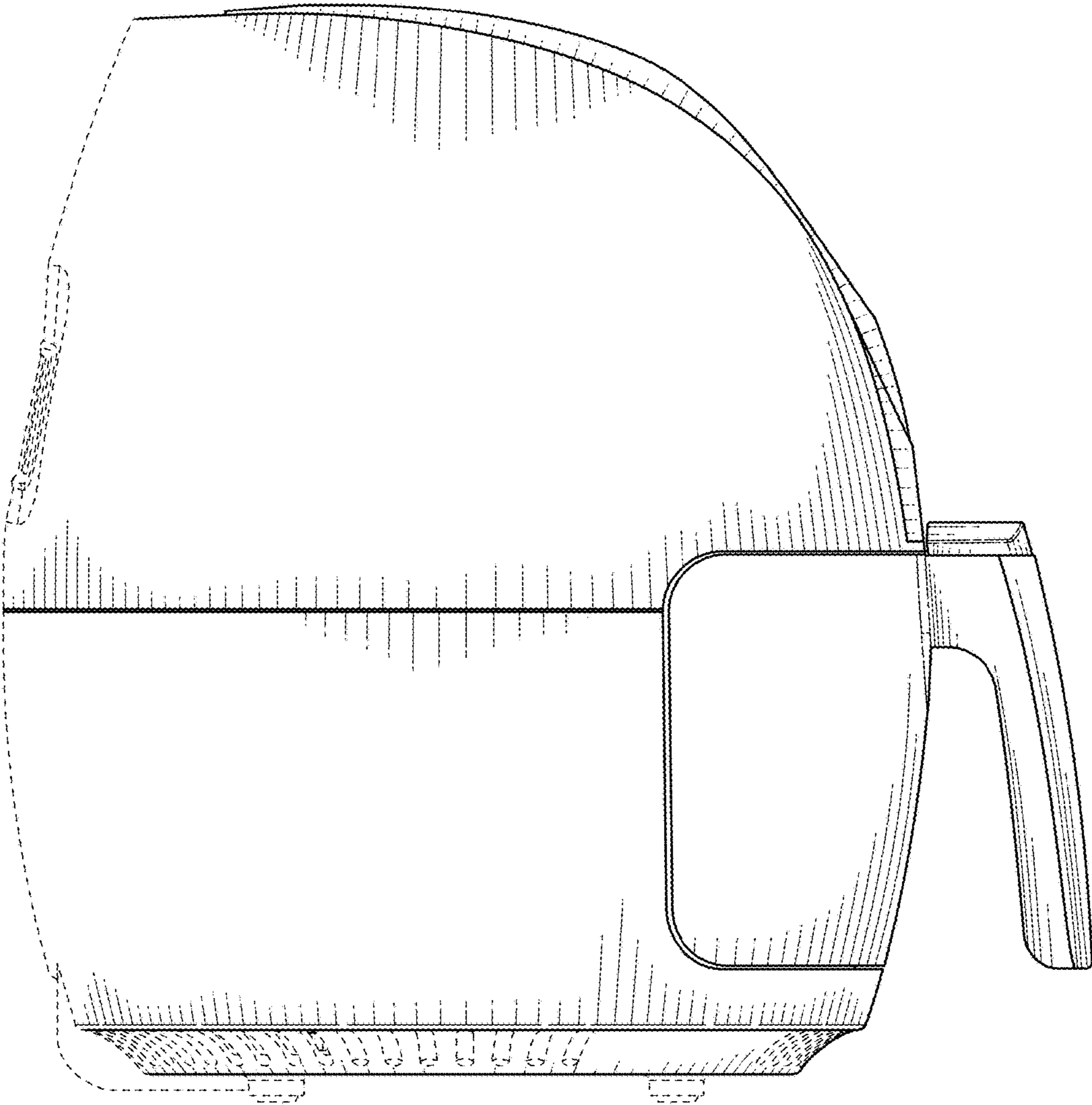


FIG. 4

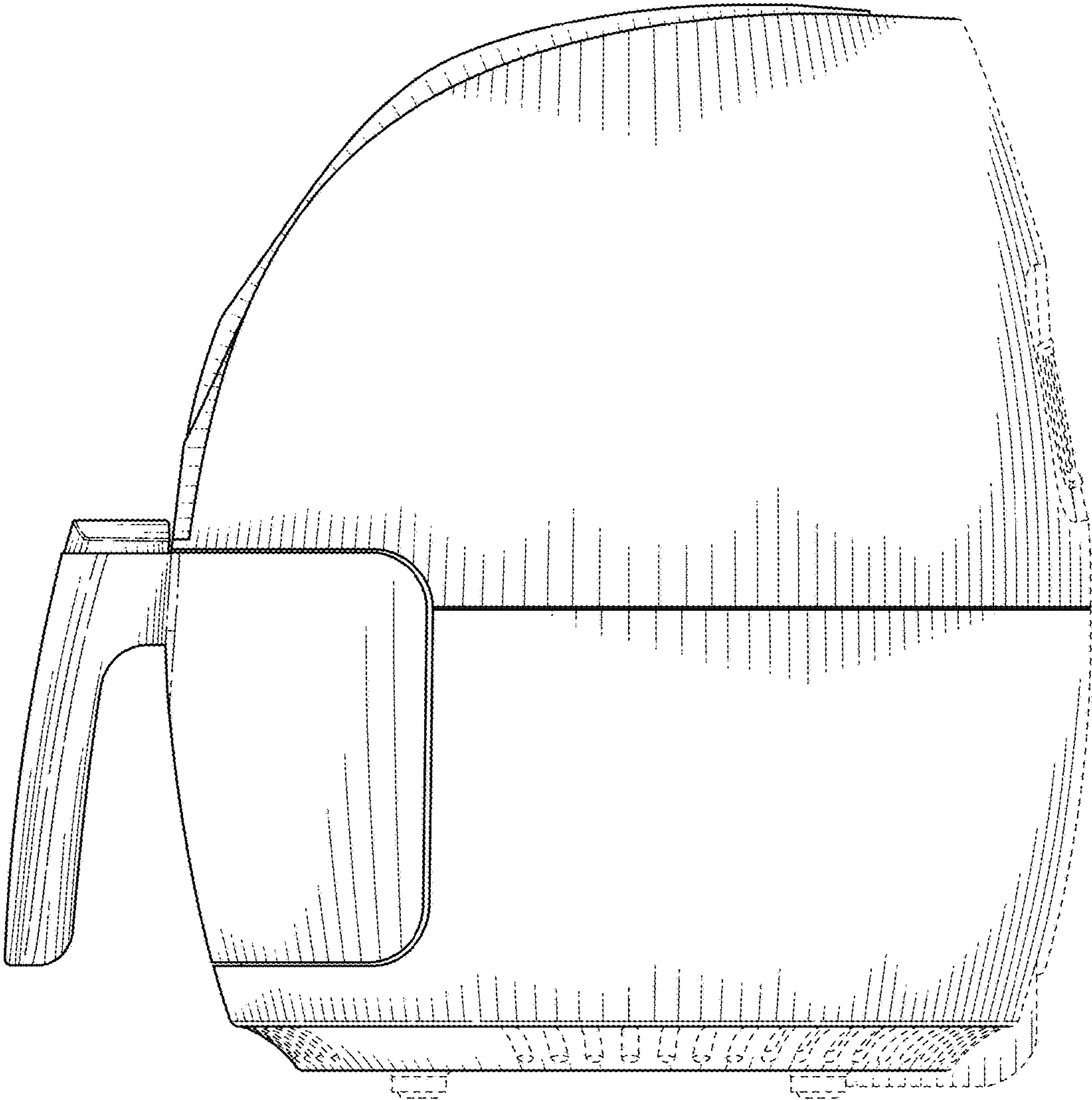


FIG. 5

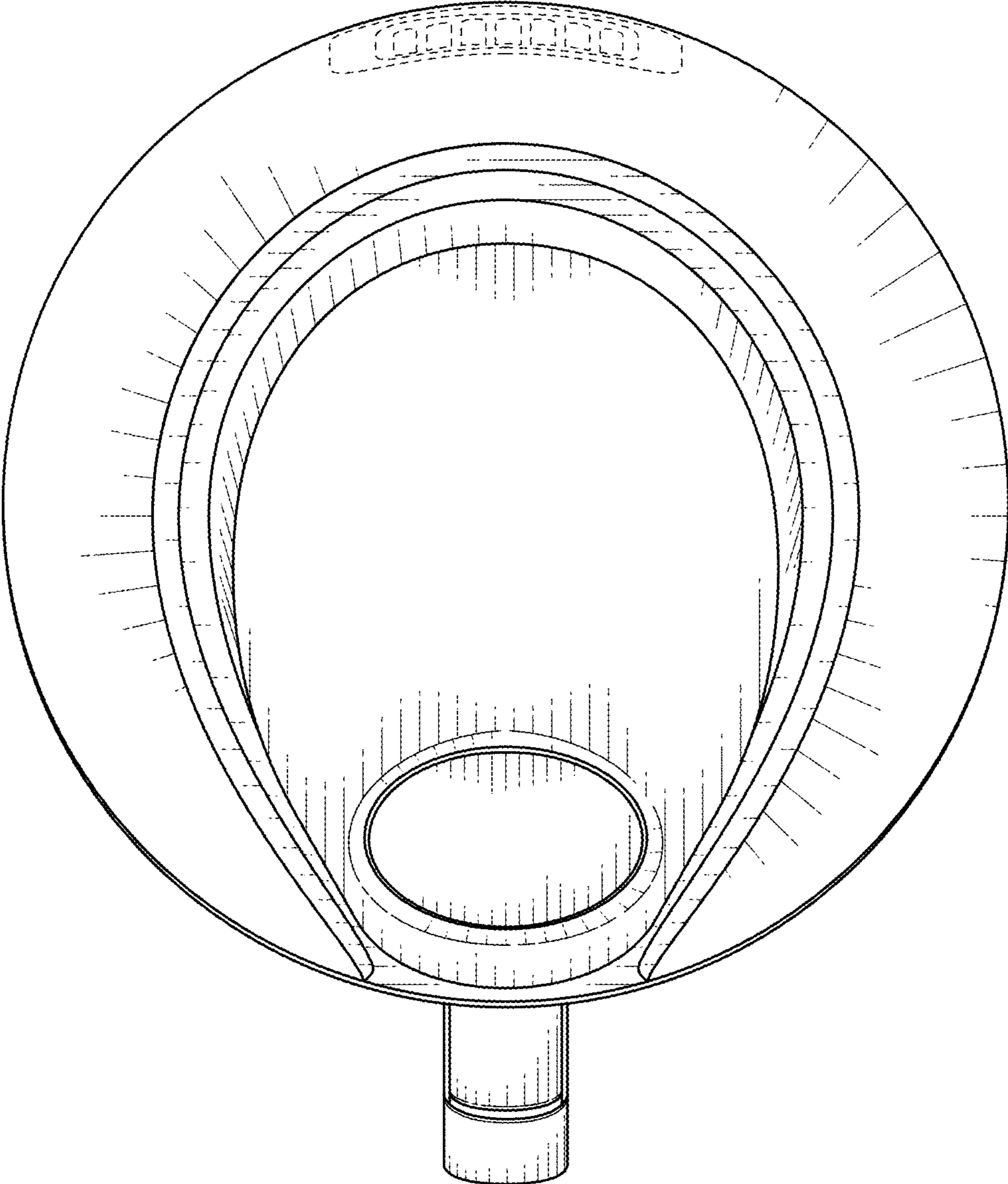


FIG. 6

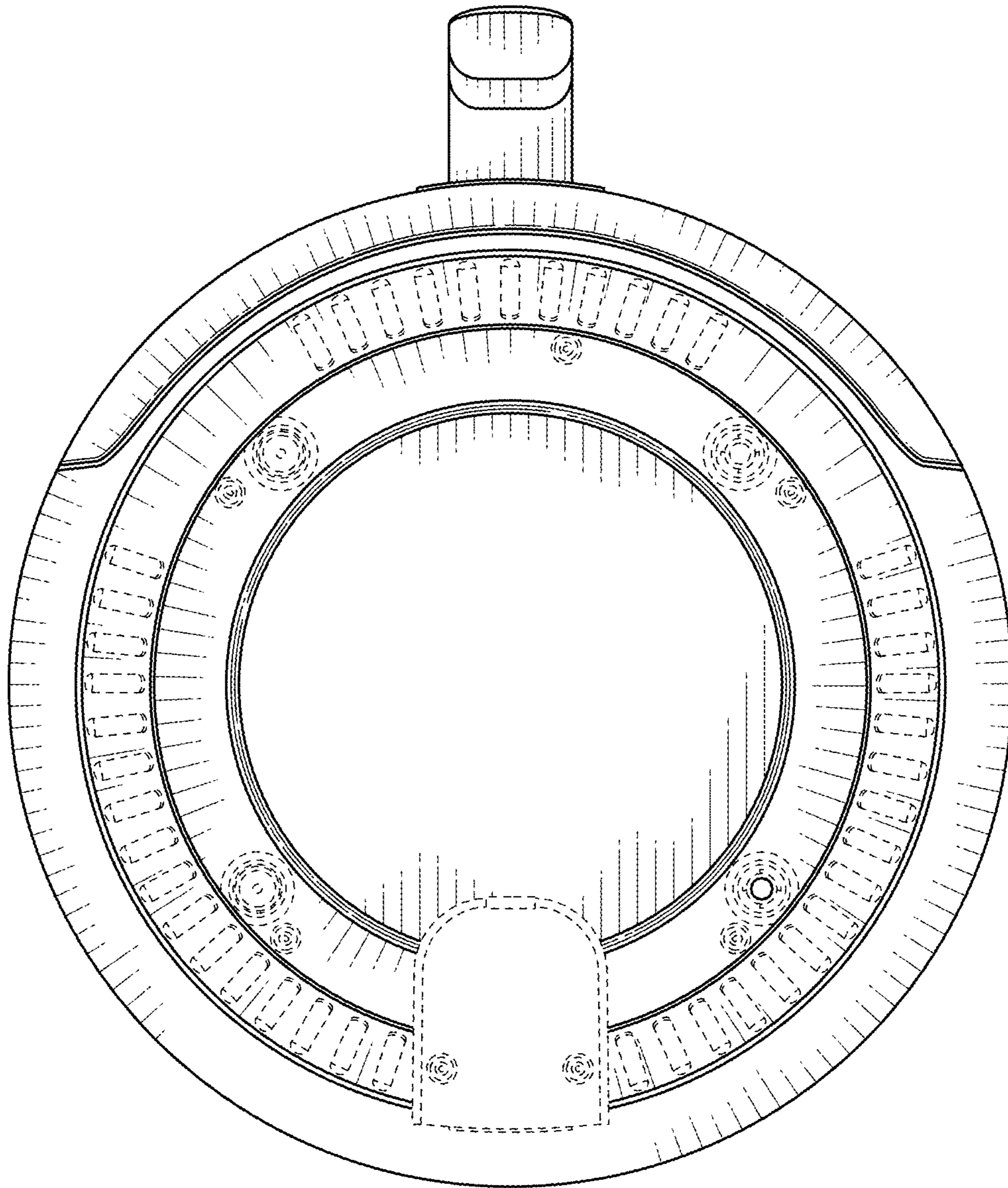


FIG. 7