



US00D820029S

(12) **United States Design Patent**
Zhang

(10) **Patent No.:** **US D820,029 S**
(45) **Date of Patent:** **** Jun. 12, 2018**

- (54) **AIR FRYER**
- (71) Applicant: **Ningbo Careline Electric Appliance Co., Ltd.**, Ningbo, Zhejiang (CN)
- (72) Inventor: **Yichi Zhang**, Ningbo (CN)
- (73) Assignee: **NINGBO CARELINE ELECTRIC APPLIANCE CO., LTD.**, Ningbo, Zhejiang (CN)

6,499,390 B1 * 12/2002 Huang A47J 37/1209
219/492
6,807,899 B2 * 10/2004 Dirand A47J 37/1271
219/438
D533,393 S * 12/2006 Sidet D7/354
D611,757 S * 3/2010 Reiner D7/354
D680,800 S * 4/2013 Berge D7/354
D680,802 S * 4/2013 Seymour D7/354
D692,718 S * 11/2013 Verbrugge D7/354
D719,397 S 12/2014 Krooshof
D750,418 S * 3/2016 Allende Fritsch D7/354

(**) Term: **15 Years**

OTHER PUBLICATIONS

(21) Appl. No.: **29/605,077**

Amazon.com:GoWISE USA Electric Digital Air Fryer w/ Button Guard & Detachable Basket 2.75 QT, 1350W (2.7 QT, Red), <https://www.amazon.com/GoWISE-USA-Electric-Digital-Detachable/dp/B01EZAHOHU>, May 22, 2017.

(22) Filed: **May 23, 2017**

(51) **LOC (11) Cl.** **07-02**

(52) **U.S. Cl.**
USPC **D7/354**

* cited by examiner

(58) **Field of Classification Search**
USPC D7/323, 354–361, 402
CPC A23L 1/01; A23L 1/0107; A23L 1/0114;
A47J 27/00; A47J 27/08; A47J 27/09;
A47J 27/092; A47J 36/025; A47J 36/06;
A47J 36/08; A47J 36/10; A47J 36/12;
A47J 36/165; A47J 36/18; A47J 36/20;
A47J 36/22; A47J 37/00; A47J 37/12;
A47J 37/1204; A47J 37/1209; A47J
37/1214; A47J 37/1219; A47J 37/1266;
A47J 37/1285; A47J 37/129; A47J
37/1295; A47J 37/1271; G07F 17/0064;
G07F 17/0078; G07F 17/0085; H05B
6/02; H05B 6/06; H05B 6/12

Primary Examiner — Freda S Nunn
(74) *Attorney, Agent, or Firm* — Venjuris, PC

See application file for complete search history.

(57) **CLAIM**

The ornamental design for an air fryer, as shown and described.

(56) **References Cited**

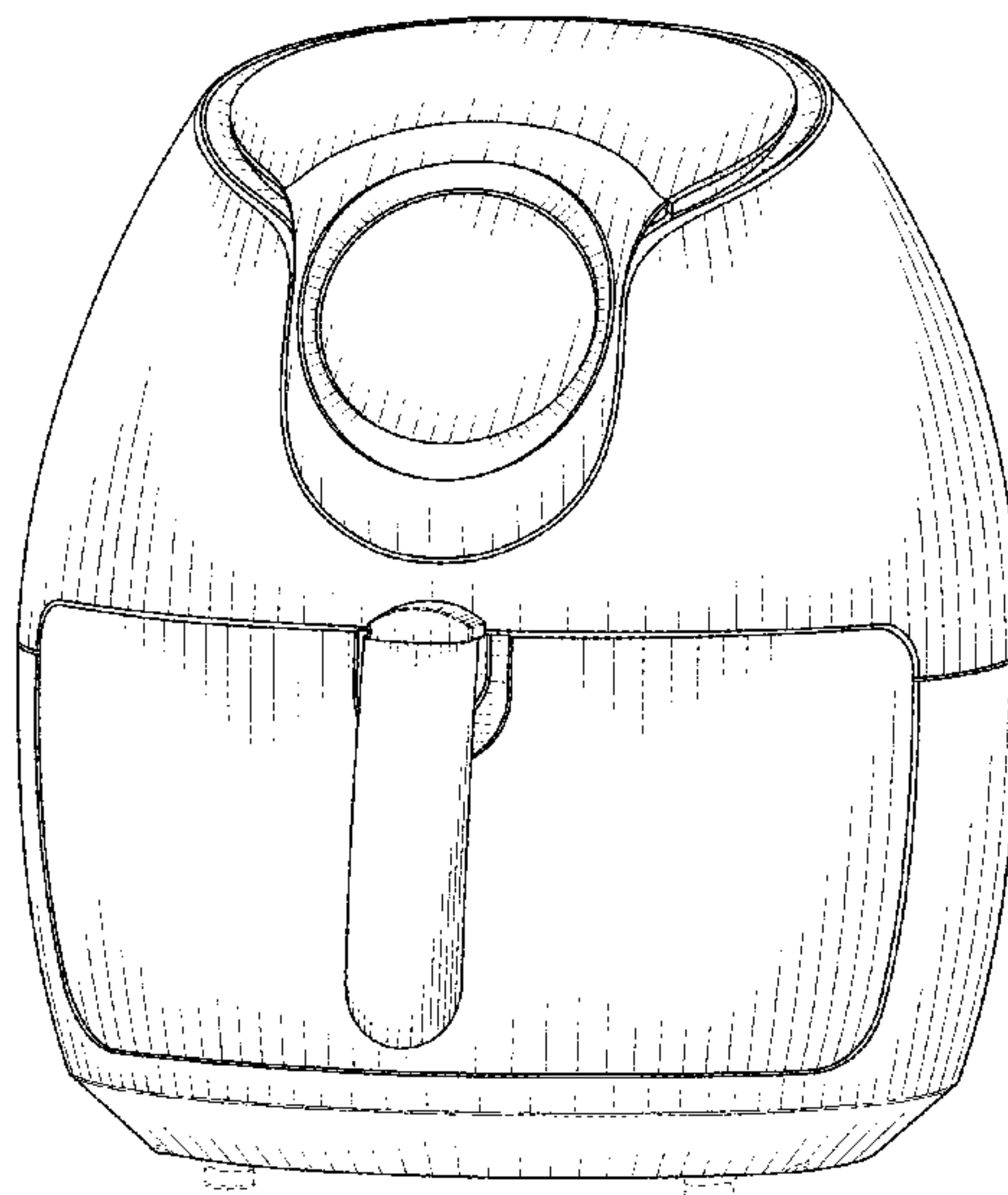
DESCRIPTION

U.S. PATENT DOCUMENTS

FIG. 1 is a perspective view of an air fryer showing the new design;
FIG. 2 is a front view thereof;
FIG. 3 is a back view thereof;
FIG. 4 is a right side view thereof;
FIG. 5 is a left side view thereof;
FIG. 6 is a top view thereof; and,
FIG. 7 is a bottom view thereof.
The broken lines shown in the drawings form no part of the claimed design.

D369,270 S * 4/1996 Payen D7/323
D436,795 S * 1/2001 Martres D7/354

1 Claim, 7 Drawing Sheets



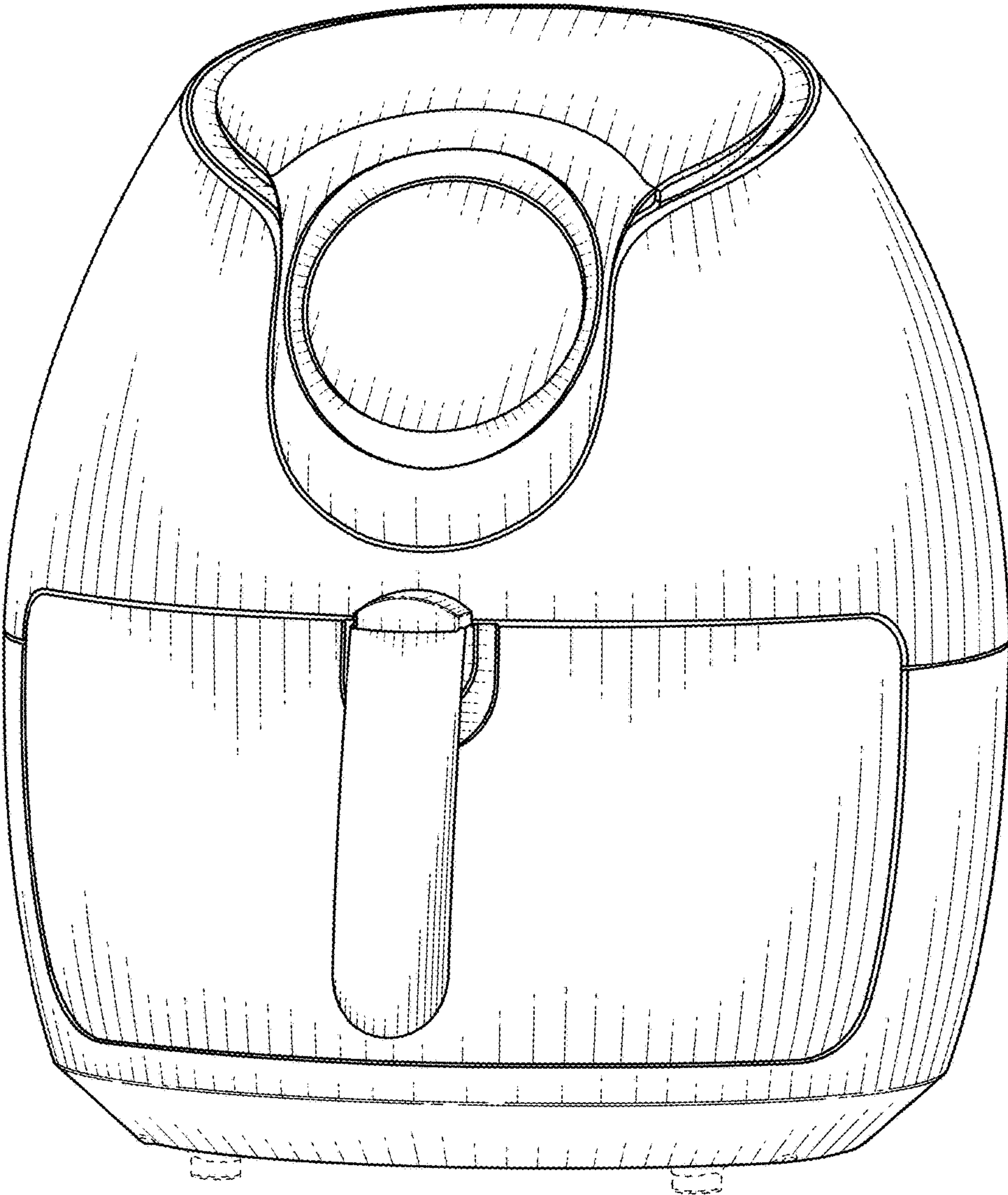


FIG. 1

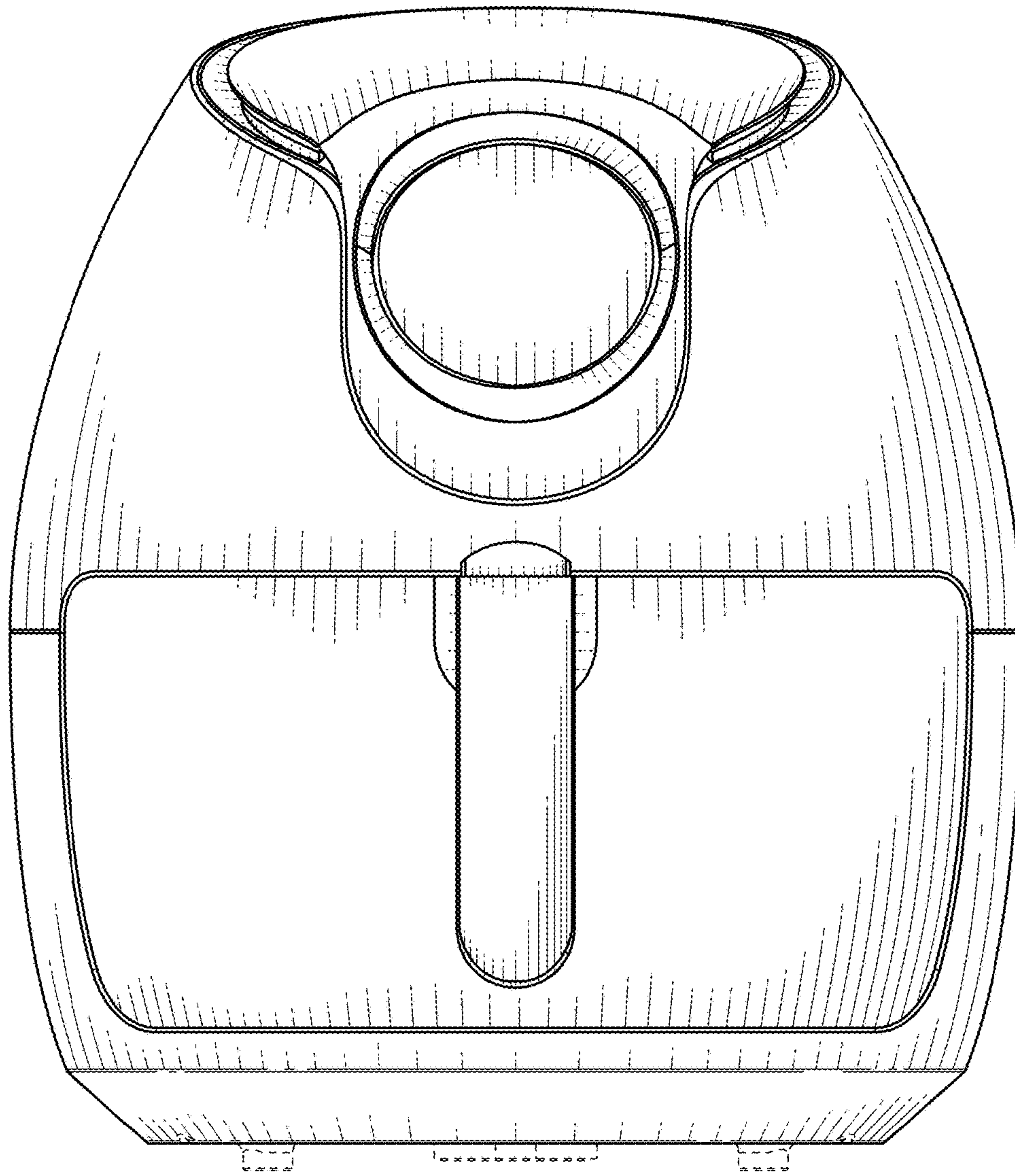


FIG. 2

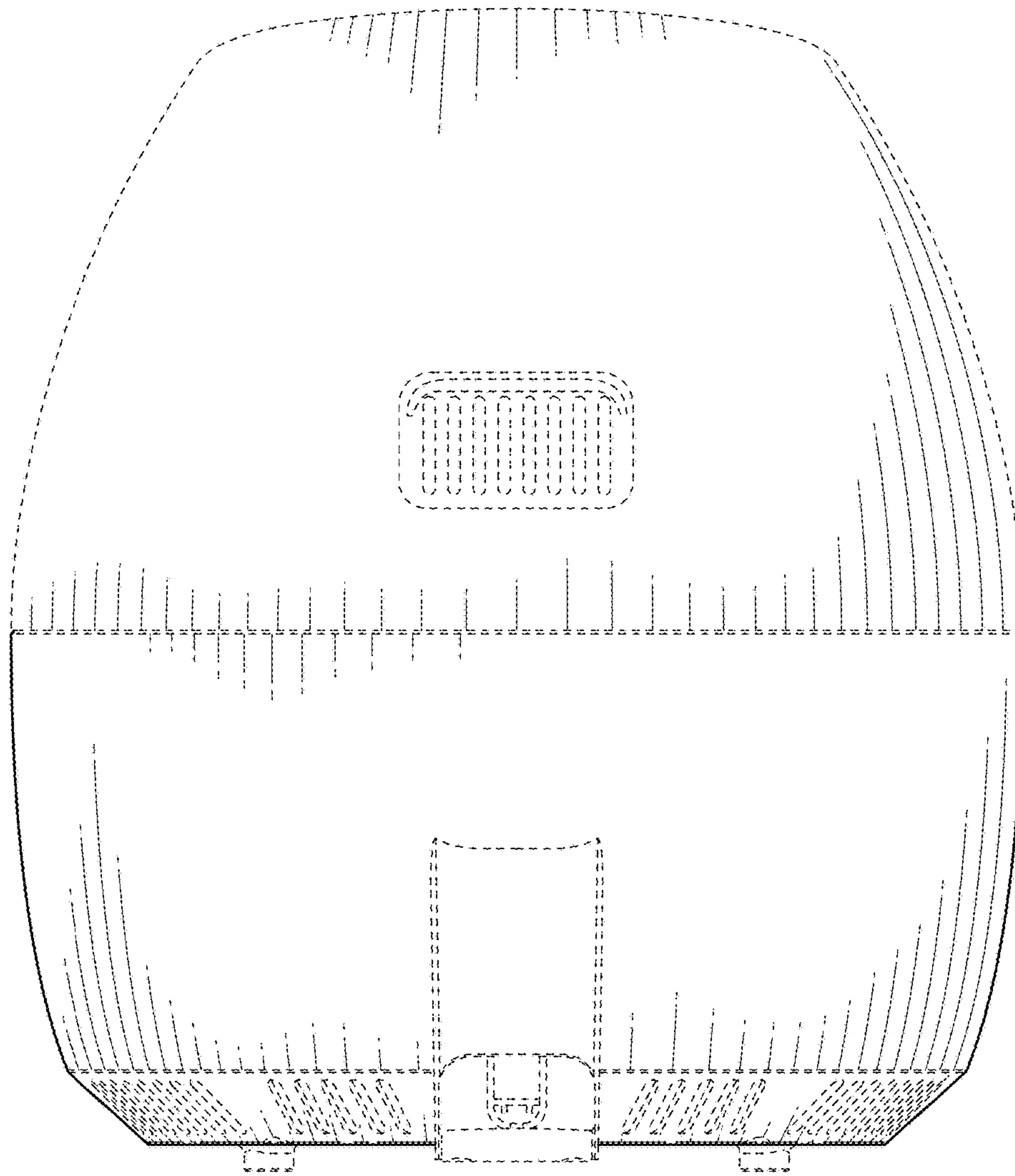


FIG. 3

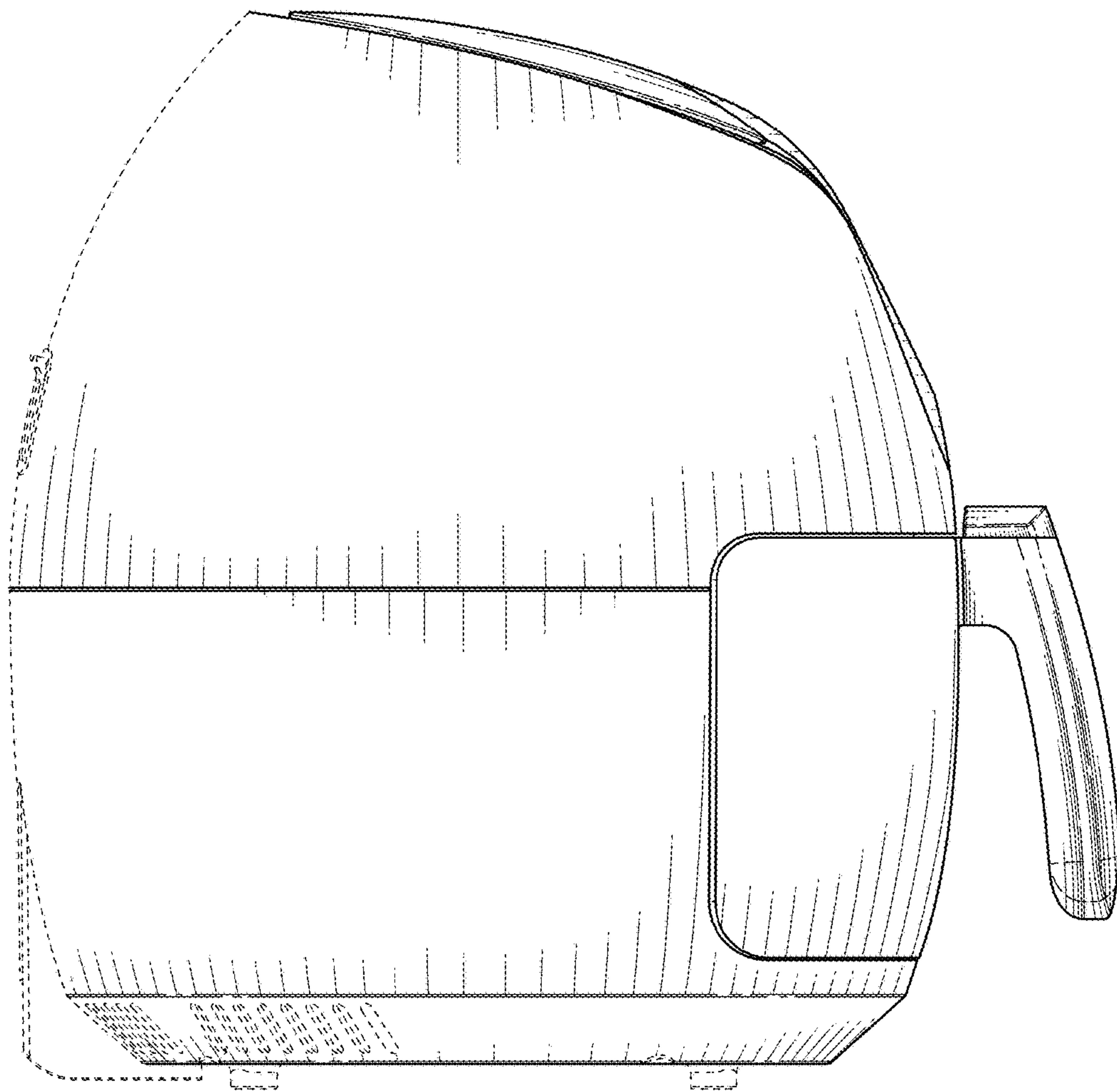


FIG. 4

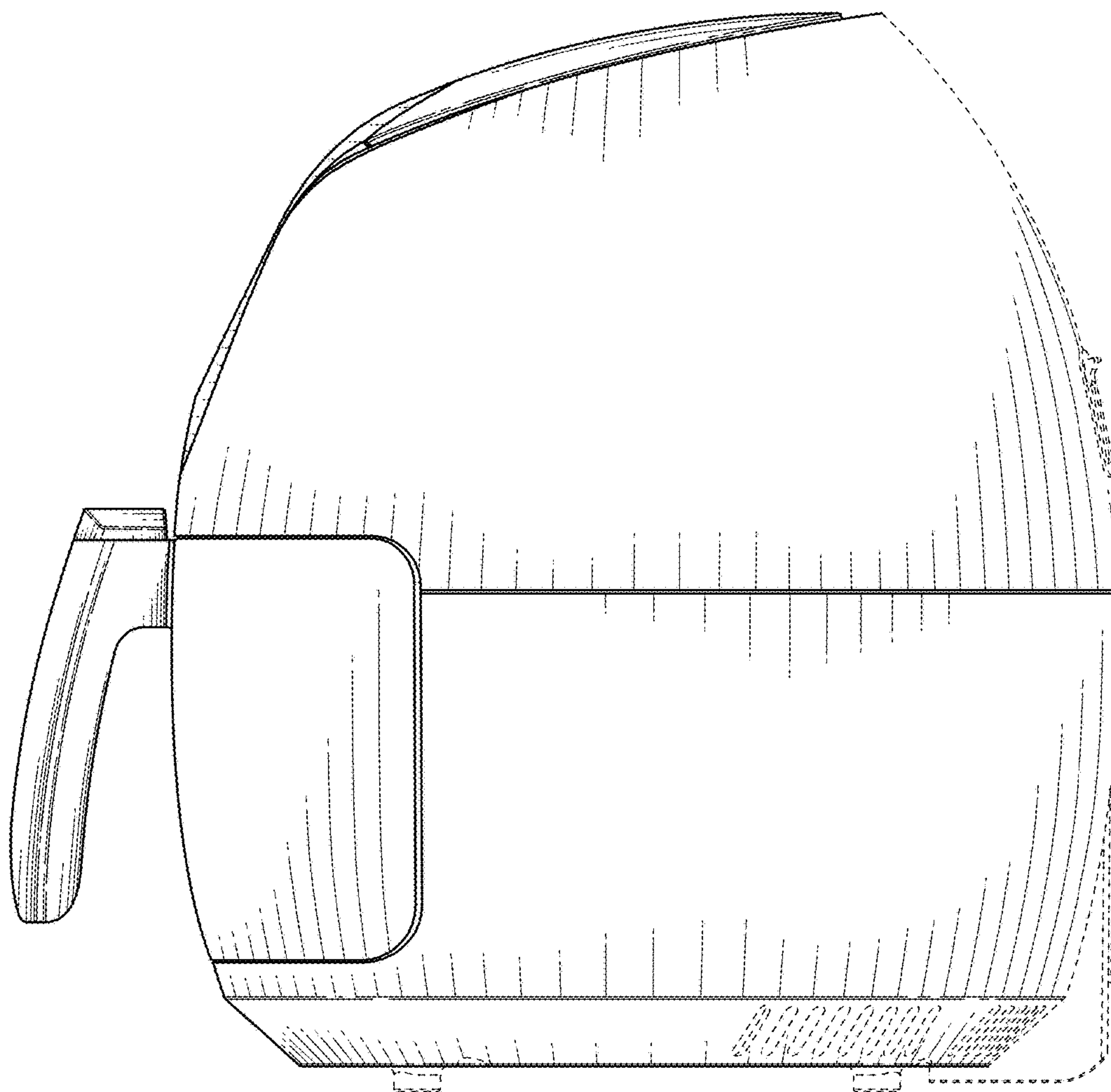


FIG. 5

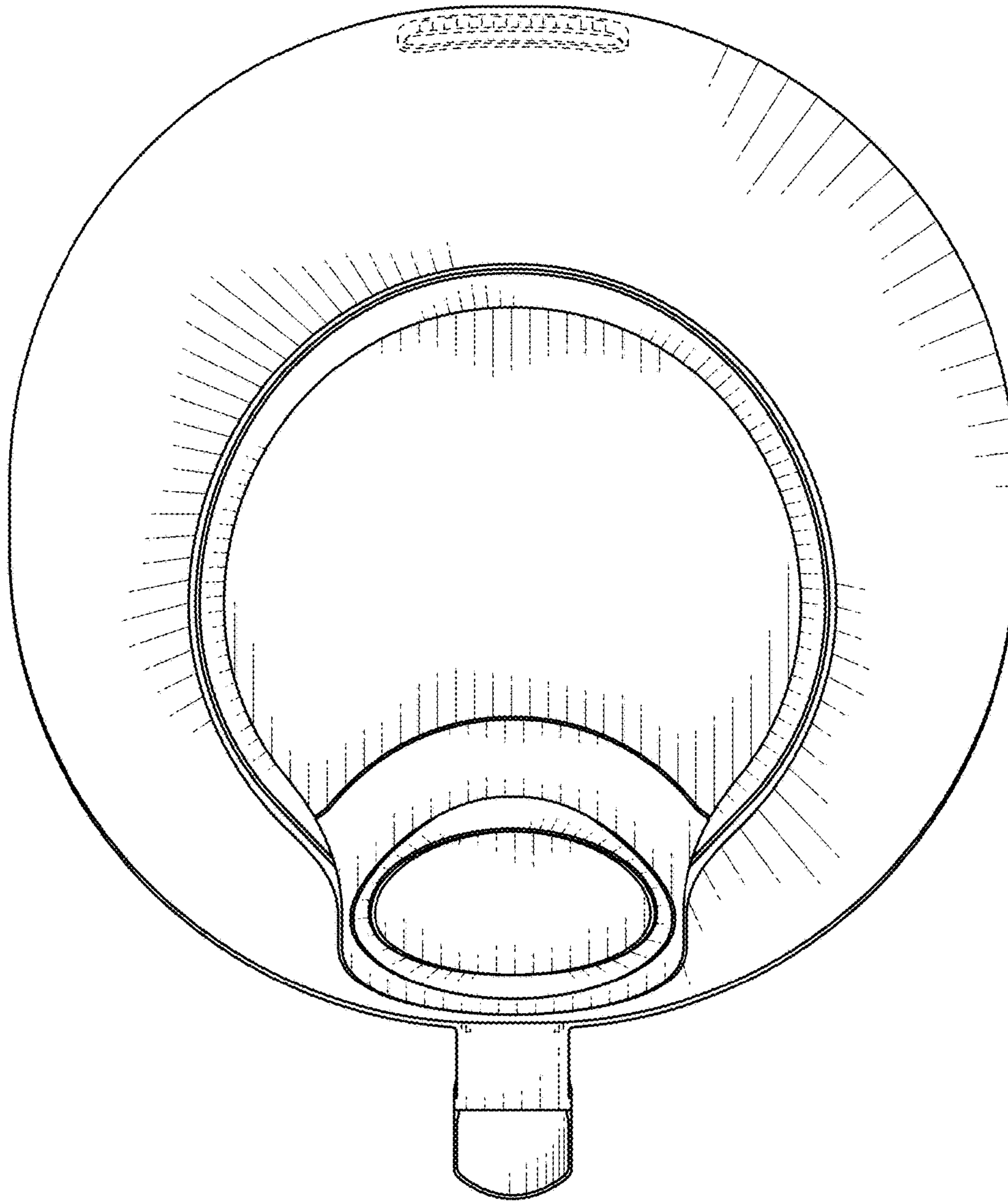


FIG. 6

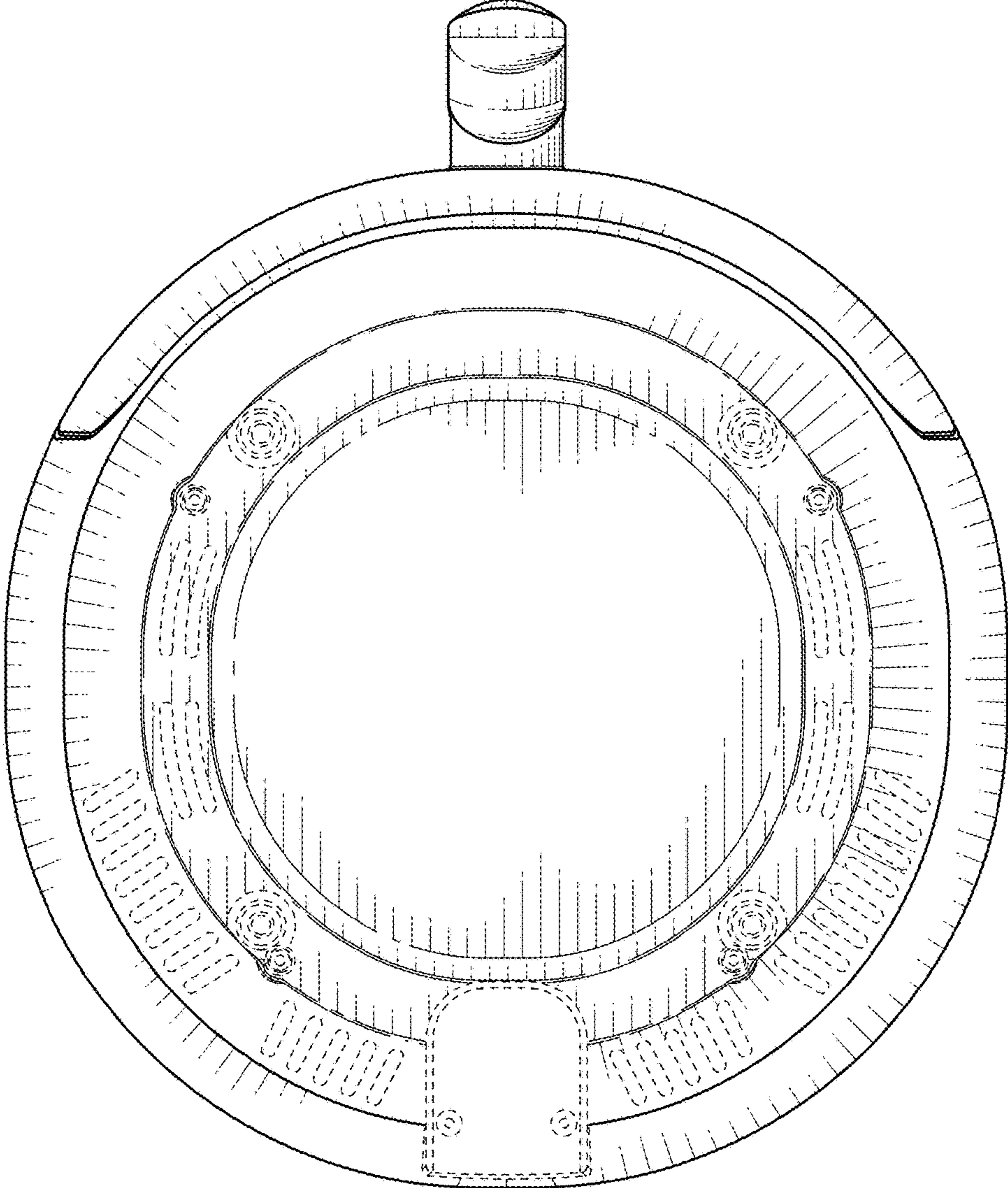


FIG. 7