



US00D820027S

(12) **United States Design Patent** (10) **Patent No.:** **US D820,027 S**
Weernink (45) **Date of Patent:** **** Jun. 12, 2018**

(54) **CONTAINER**

(71) Applicant: **Rosti Mepal Support B.V.**, Lochem (NL)

(72) Inventor: **Johan Weernink**, Diepenheim (NL)

(73) Assignee: **ROSTI MEPAL SUPPORT B.V.**, Lochem (NL)

(**) Term: **15 Years**

(21) Appl. No.: **29/575,401**

(22) Filed: **Aug. 24, 2016**

(30) **Foreign Application Priority Data**

Jul. 7, 2016 (WO) 55137

(51) **LOC (11) Cl.** **07-02**

(52) **U.S. Cl.**
USPC **D7/354**

(58) **Field of Classification Search**
USPC D7/357, 360, 391, 392, 392.1, 393, 397,
D7/601-602, 614, 629-630, 538-542;
D9/414, 424-432, 435, 451-452, 761
CPC A47J 36/027; A47J 36/06; A47J 37/10;
A47J 37/101; B65D 21/0209; B65D
21/022; B65D 43/00; B65D 43/02; B65D
43/0206; B65D 43/022; B65D 43/161;
B65D 43/162; B65D 45/00; B65D 45/16;
B65D 45/18; B65D 51/16; B65D
51/1683; B65D 51/1688; B65D 51/1694;
B65D 2251/00; B65F 1/1615

See application file for complete search history.

(56) **References Cited**

U.S. PATENT DOCUMENTS

D241,399	S	*	9/1976	Hubert	D7/540
D244,246	S	*	5/1977	Daenen	D7/540
D329,782	S	*	9/1992	Narsutis	D7/629
5,409,128	A	*	4/1995	Mitchell	B65D 21/022 206/508
D358,302	S	*	5/1995	VanValkenburg	D7/614
D489,004	S	*	4/2004	Parman	D9/425
D659,478	S	*	5/2012	Cossu	D7/538
D666,461	S	*	9/2012	Siegel	D7/629
D715,589	S	*	10/2014	Nielsen	D7/354
D734,976	S	*	7/2015	Quinn	D7/354
D775,968	S	*	1/2017	Lacasa Horno	D9/761
D794,394	S	*	8/2017	Karussi	D7/538
2016/0176614	A1	*	6/2016	Mittal	A47J 36/027 219/725

* cited by examiner

Primary Examiner — Ricky Pham

(74) *Attorney, Agent, or Firm* — Fross Zelnick Lehrman & Zissu, P.C.; Charles T. J. Weigell, Esq.

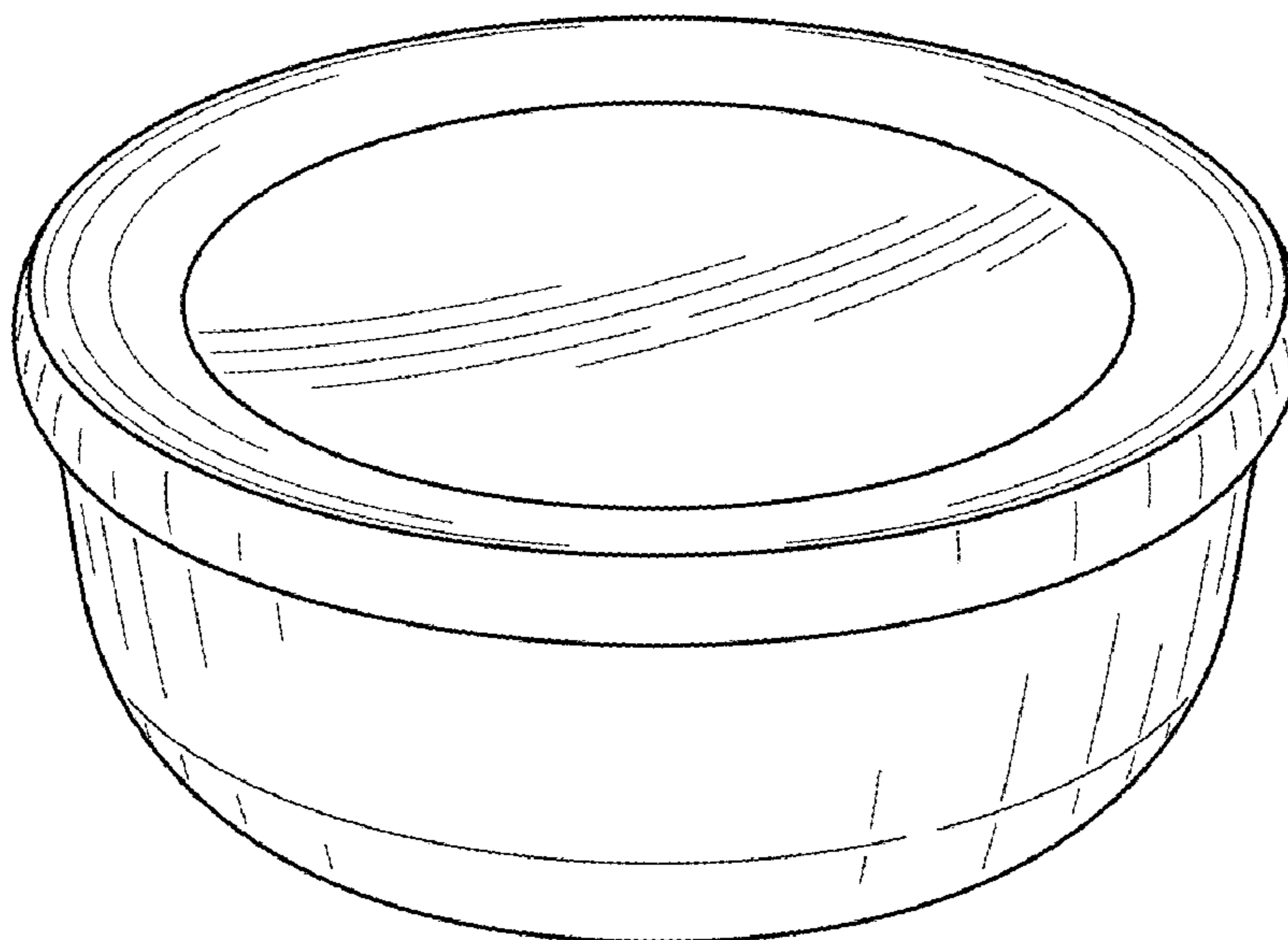
(57) **CLAIM**

The ornamental design for a container, as shown and described.

DESCRIPTION

FIG. 1 is a perspective view of a container showing my new design;
FIG. 2 is a side view thereof, the remaining side views being identical;
FIG. 3 is a top view thereof; and,
FIG. 4 is a bottom view thereof.

1 Claim, 2 Drawing Sheets



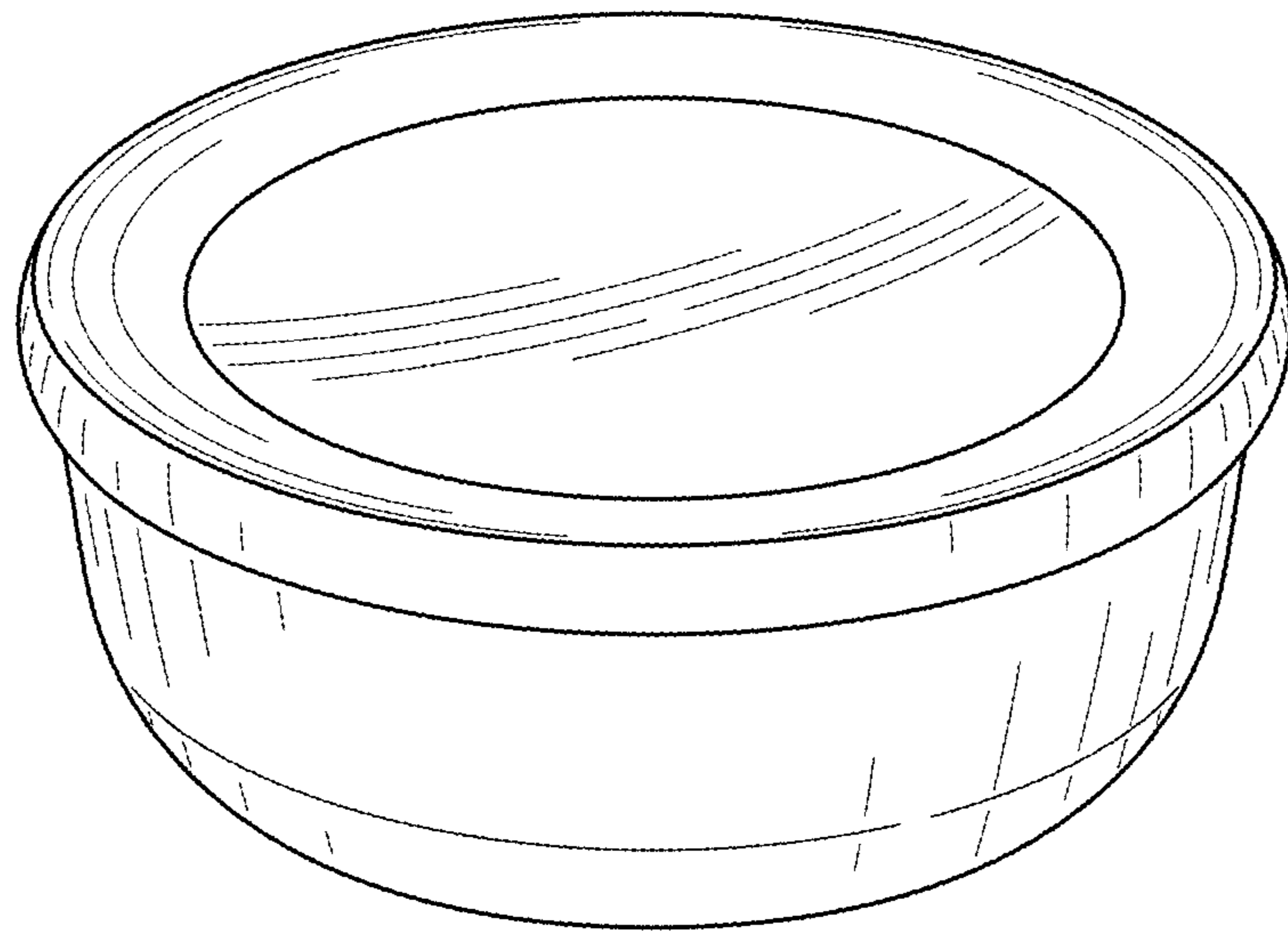


FIG. 1

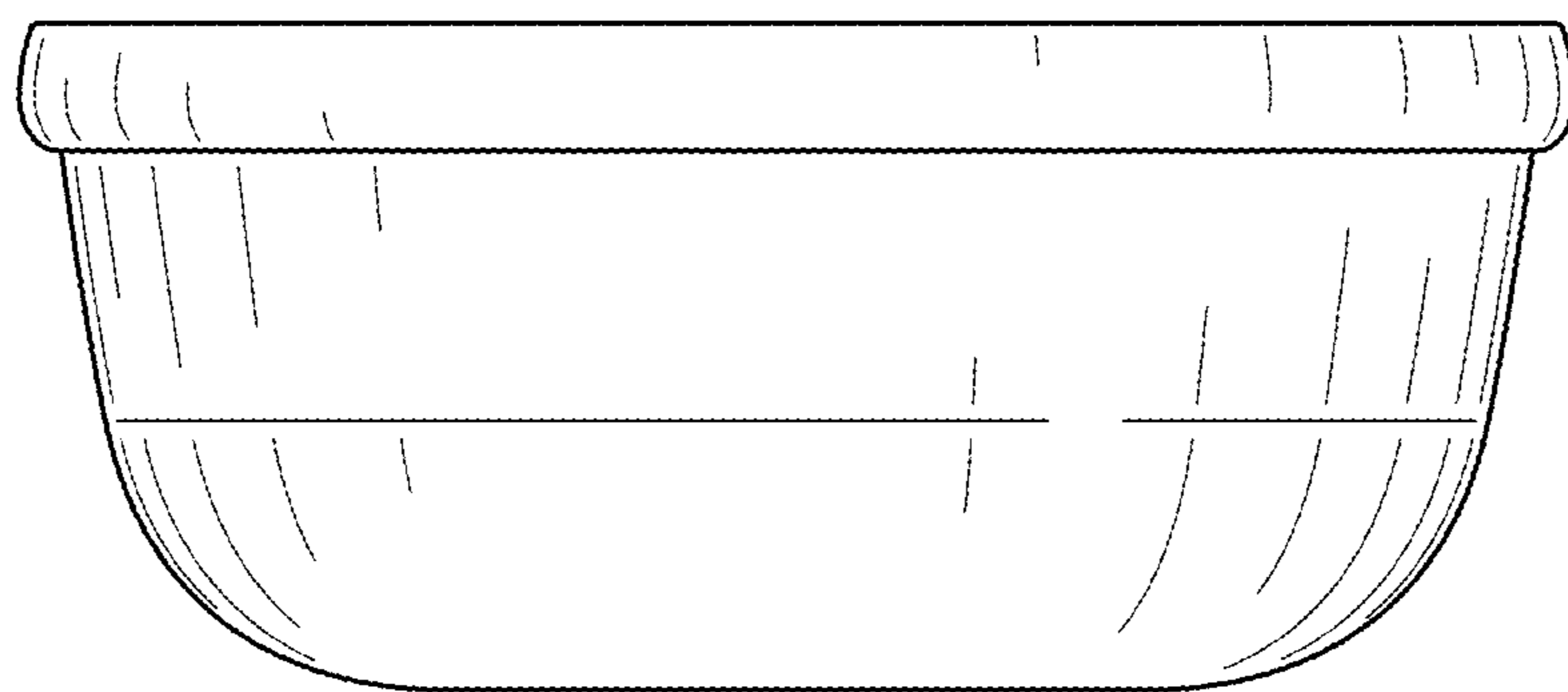


FIG. 2

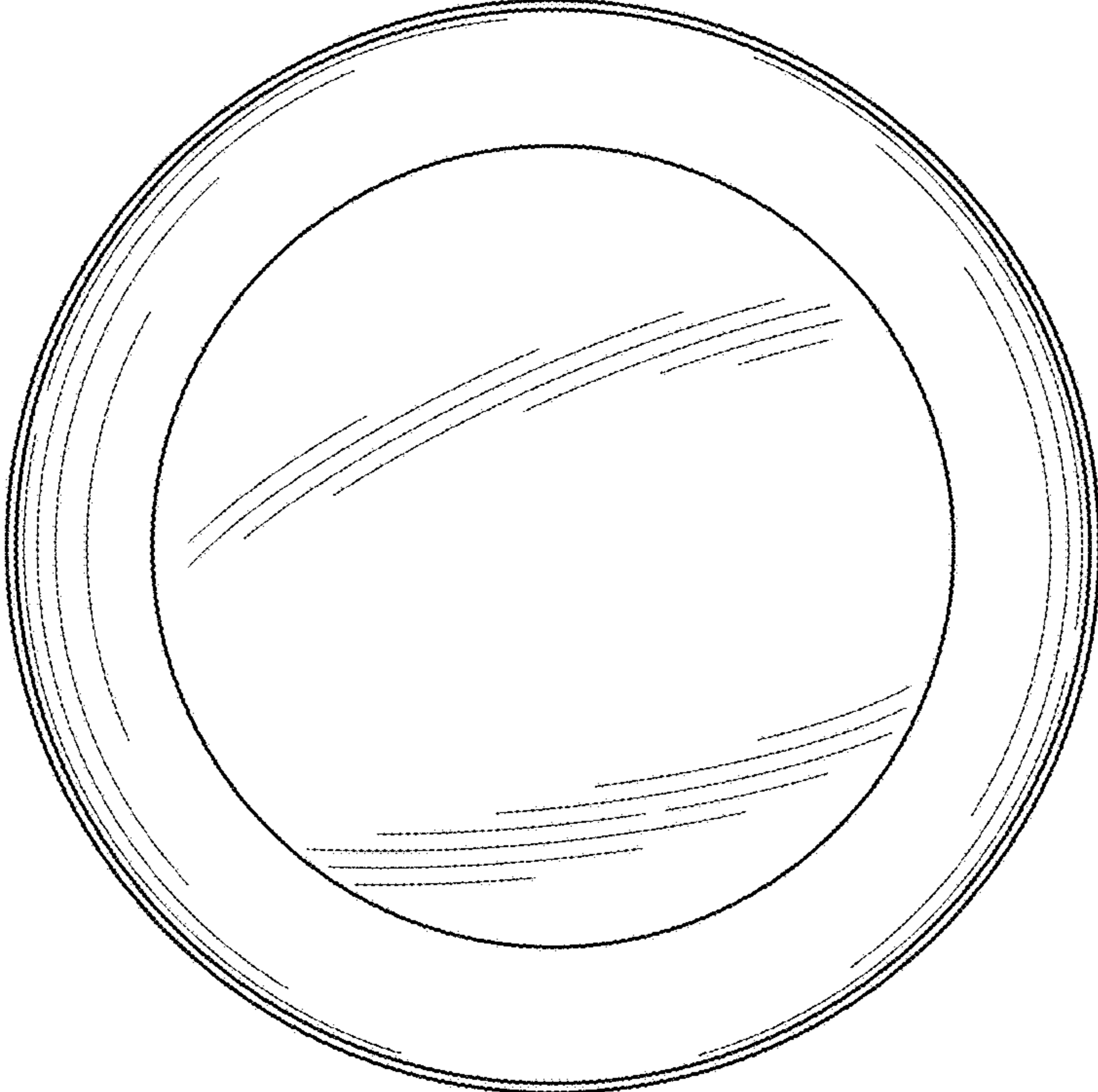


FIG. 3

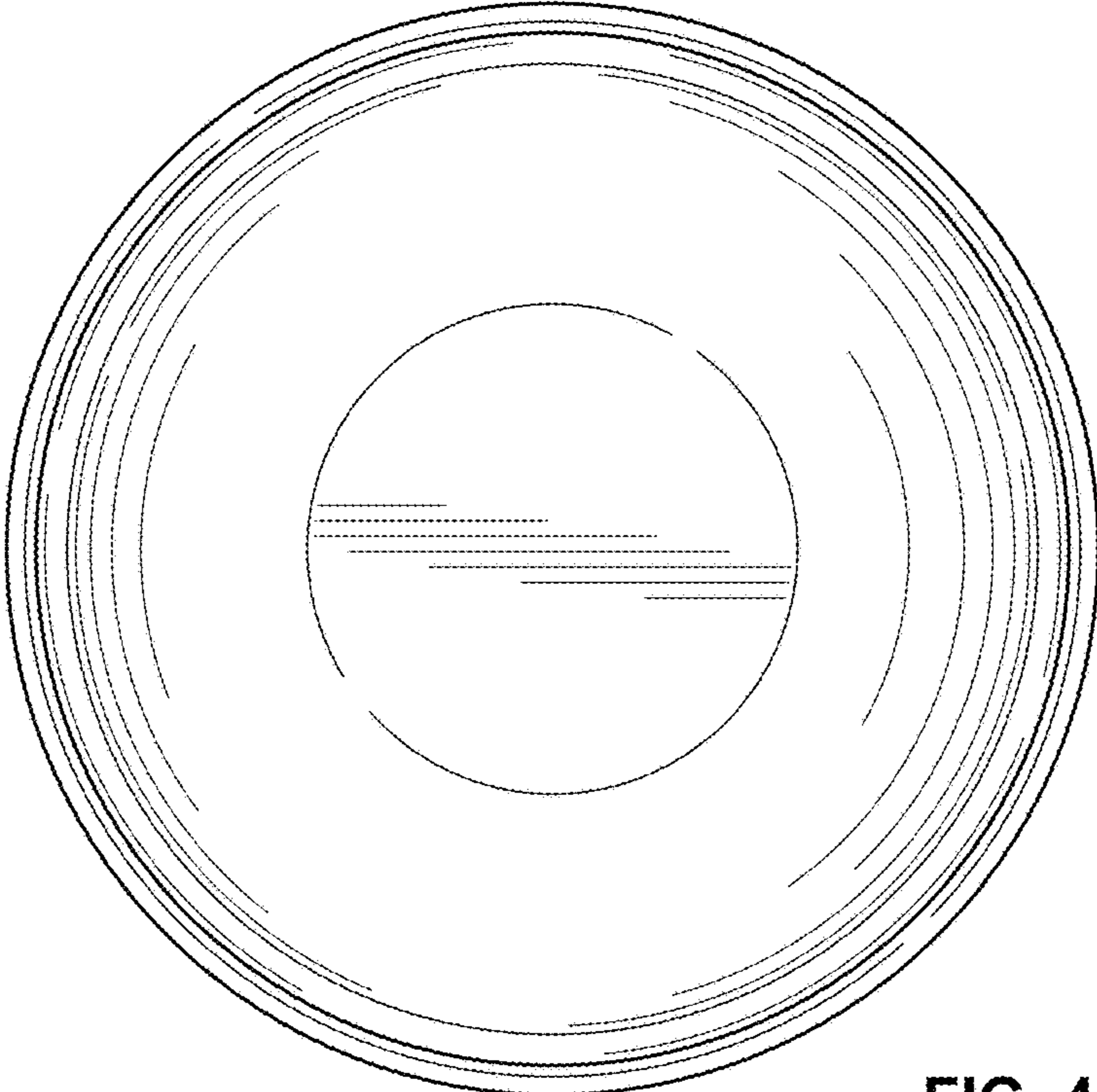


FIG. 4