



US00D820025S

(12) **United States Design Patent**
Yang

(10) **Patent No.:** **US D820,025 S**
(45) **Date of Patent:** **** Jun. 12, 2018**

- (54) **BARBECUE GRILL**
- (71) Applicant: **Hui-Feng Yang**, Taichung (TW)
- (72) Inventor: **Hui-Feng Yang**, Taichung (TW)
- (**) Term: **15 Years**
- (21) Appl. No.: **29/601,122**
- (22) Filed: **Apr. 19, 2017**
- (51) **LOC (11) Cl.** **07-02**
- (52) **U.S. Cl.**
USPC **D7/337**
- (58) **Field of Classification Search**
USPC D7/332-337, 352, 402-411
CPC A47J 37/0713; A47J 37/0763; A47J
37/0611; A47J 37/0704; A47J 37/0777;
A47J 37/0786; A47J 33/00
See application file for complete search history.

2004/0112365 A1* 6/2004 Johnson A47J 36/06
126/41 R
2014/0251160 A1* 9/2014 Contarino, Jr. A47J 37/0786
99/341

* cited by examiner

Primary Examiner — Susan Bennett Hattan
Assistant Examiner — Brett Miller
(74) *Attorney, Agent, or Firm* — Egbert Law Offices,
PLLC

(57) **CLAIM**

The ornamental design for a barbecue grill, as shown and described.

DESCRIPTION

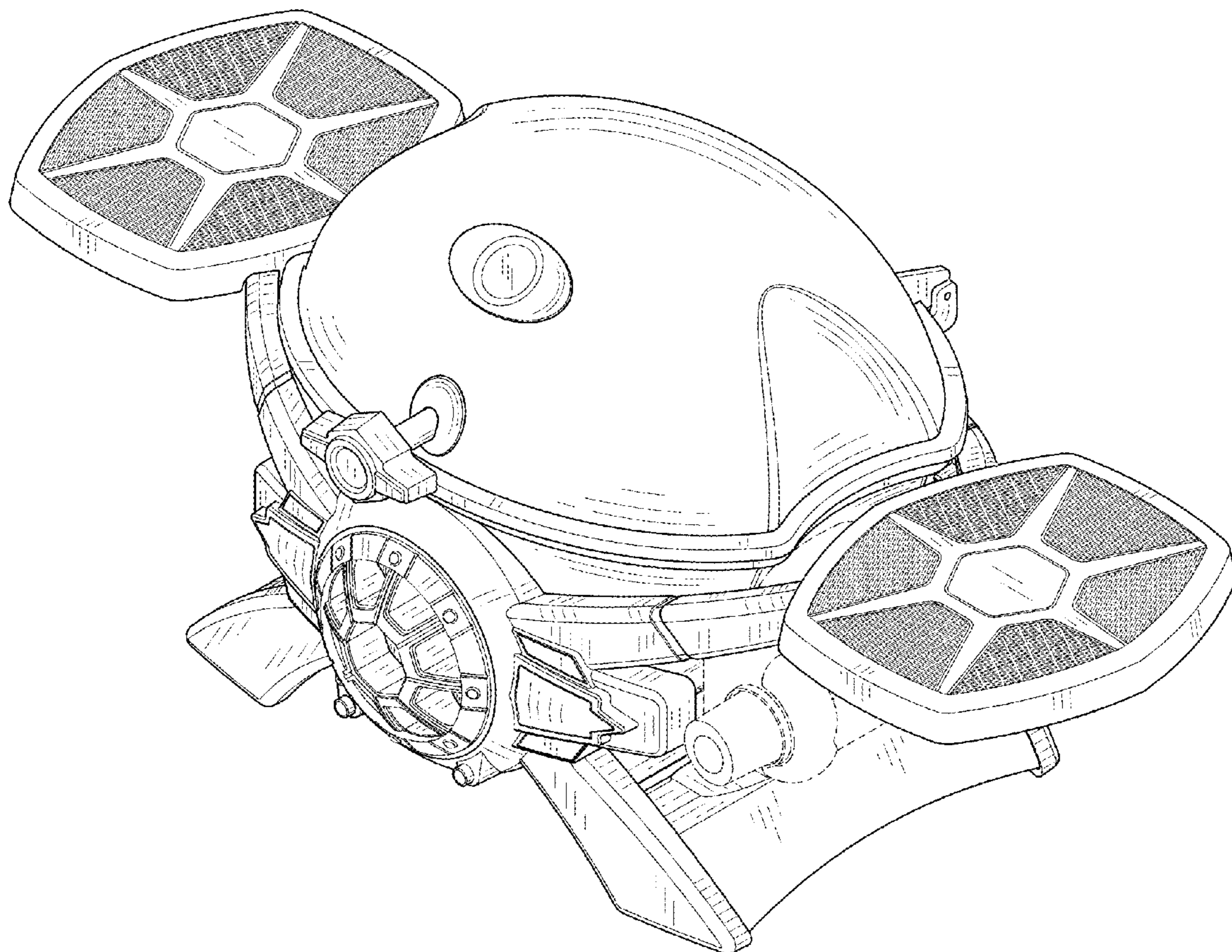
FIG. 1 is an upper perspective view of a barbecue grill showing my new design.
FIG. 2 is a front elevation view thereof;
FIG. 3 is a rear elevation view thereof;
FIG. 4 is a side elevation view thereof;
FIG. 5 is an opposite side elevation view thereof;
FIG. 6 is a top plan view thereof;
FIG. 7 is a bottom plan view thereof; and,
FIG. 8 is a lower perspective view thereof.
The features presented in broken lines represent unclaimed portions of the barbecue grill and form no part of the claimed design.

(56) **References Cited**

U.S. PATENT DOCUMENTS

- D510,680 S * 10/2005 Johnson D7/403
- D742,681 S * 11/2015 Pai D7/337
- D760,012 S * 6/2016 Lin D7/337
- D790,903 S * 7/2017 Yang D7/337

1 Claim, 8 Drawing Sheets



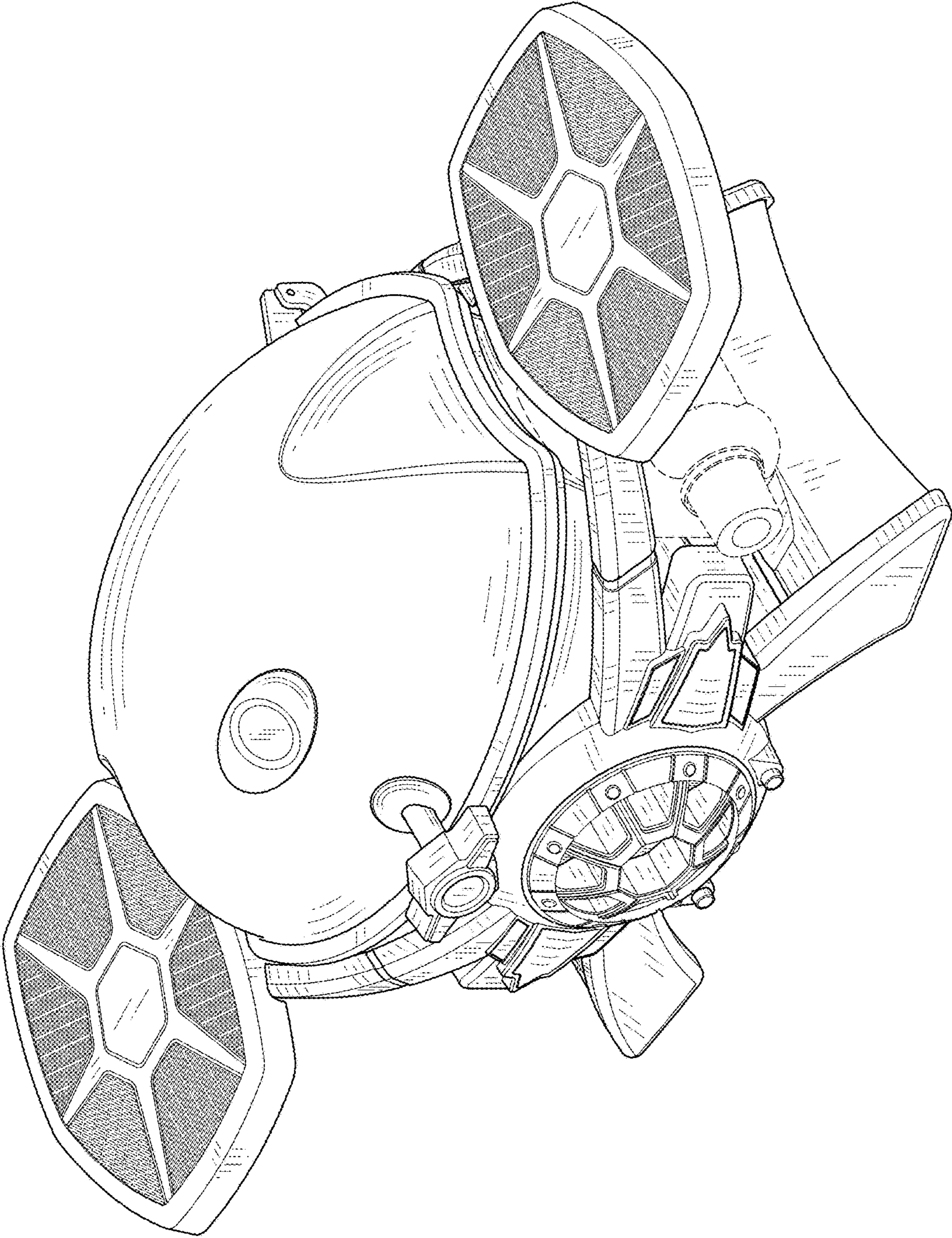


FIG. 1

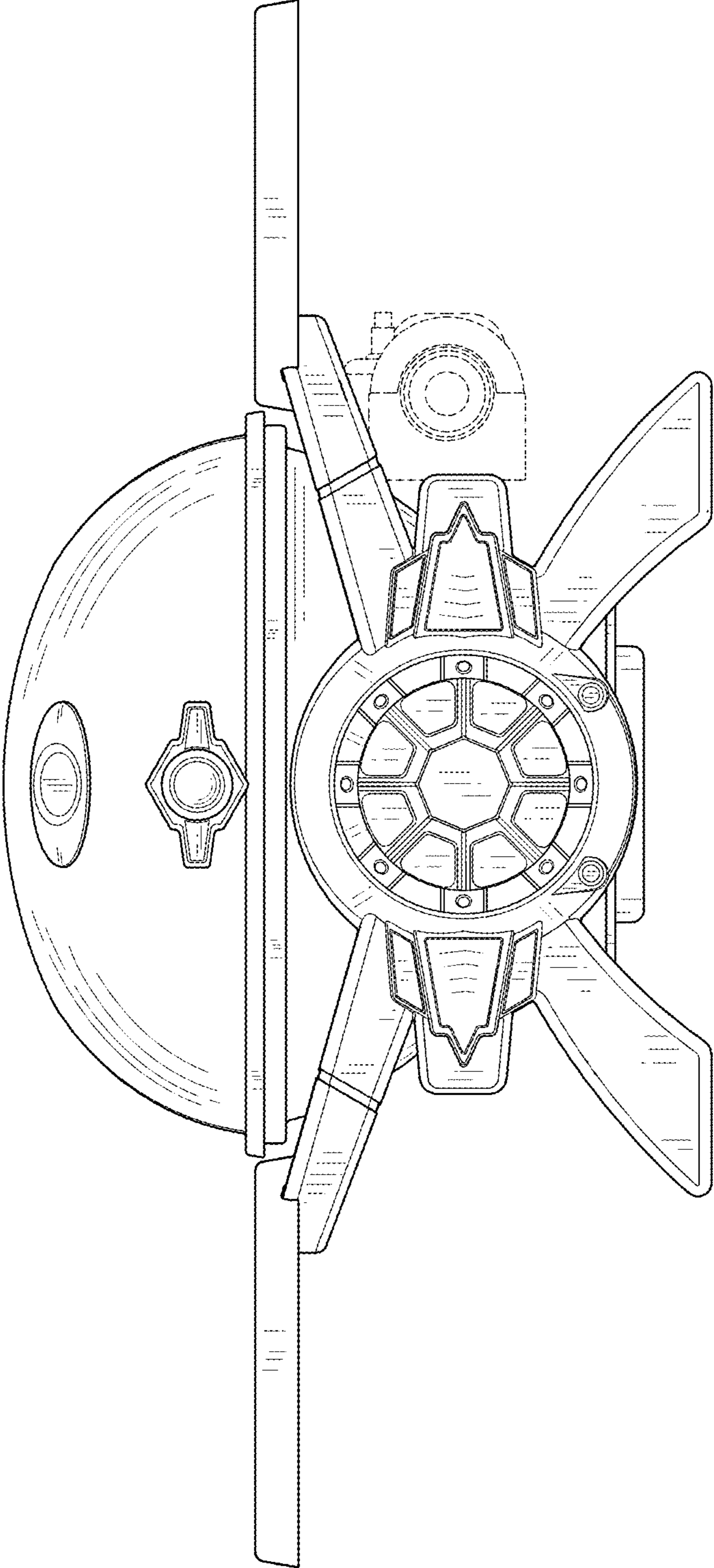


FIG. 2

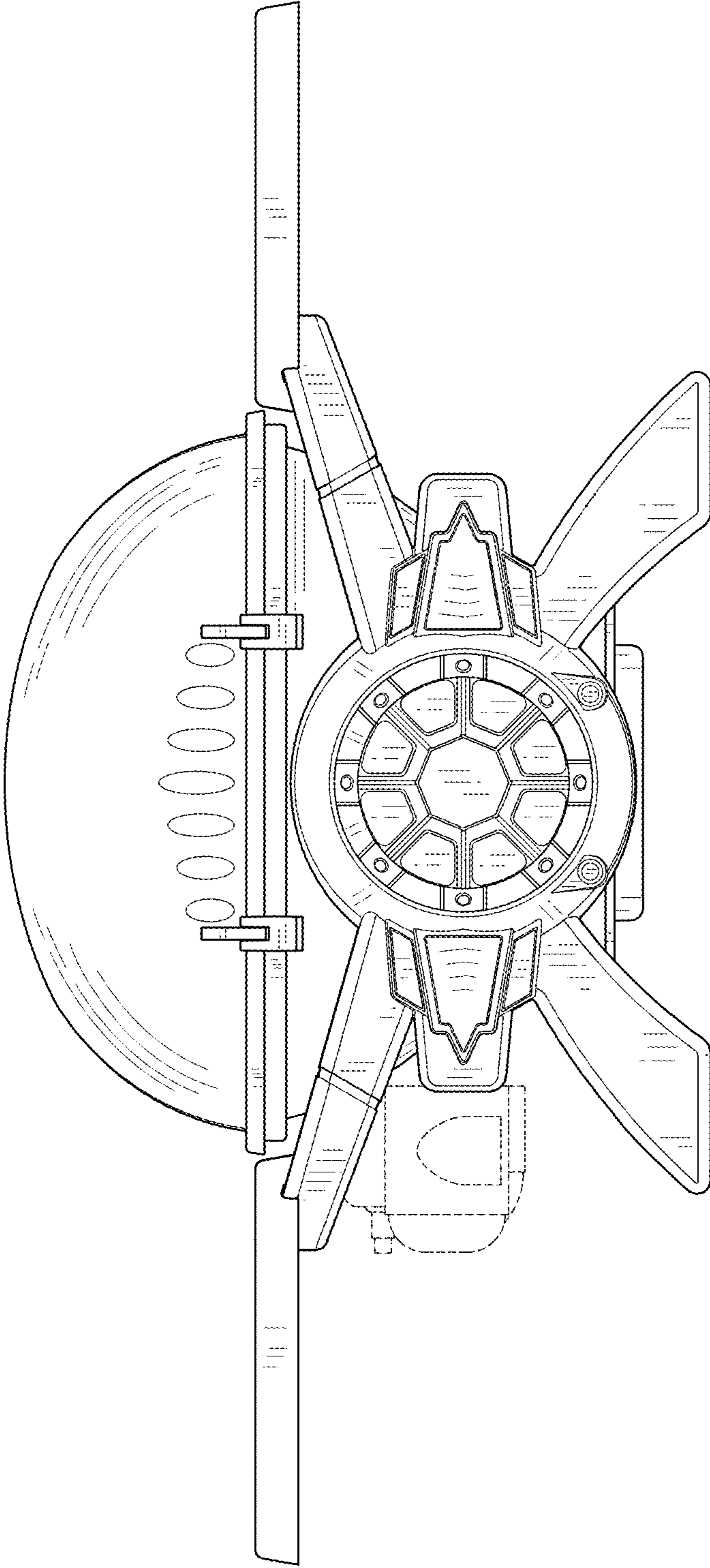


FIG. 3

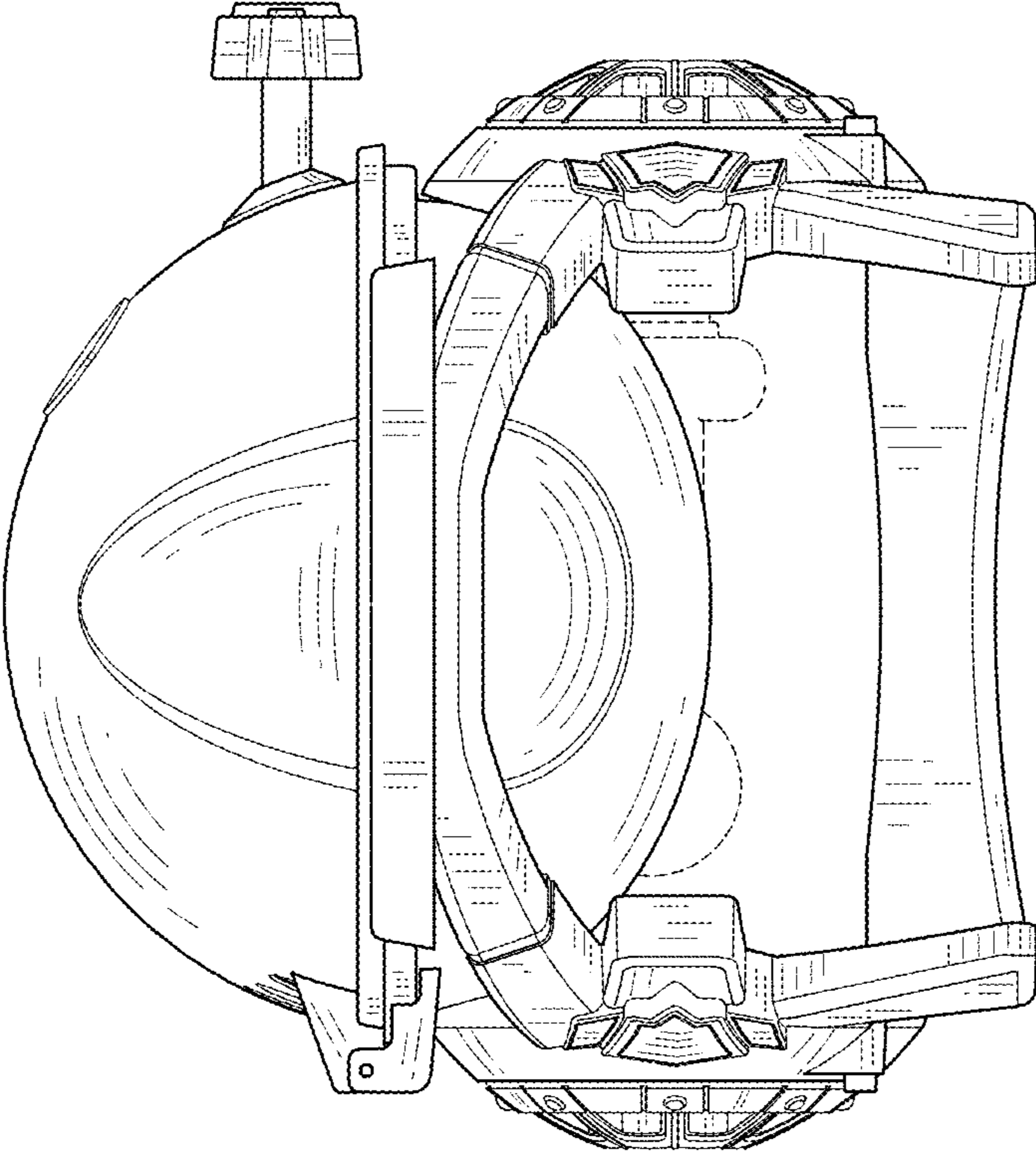


FIG. 4

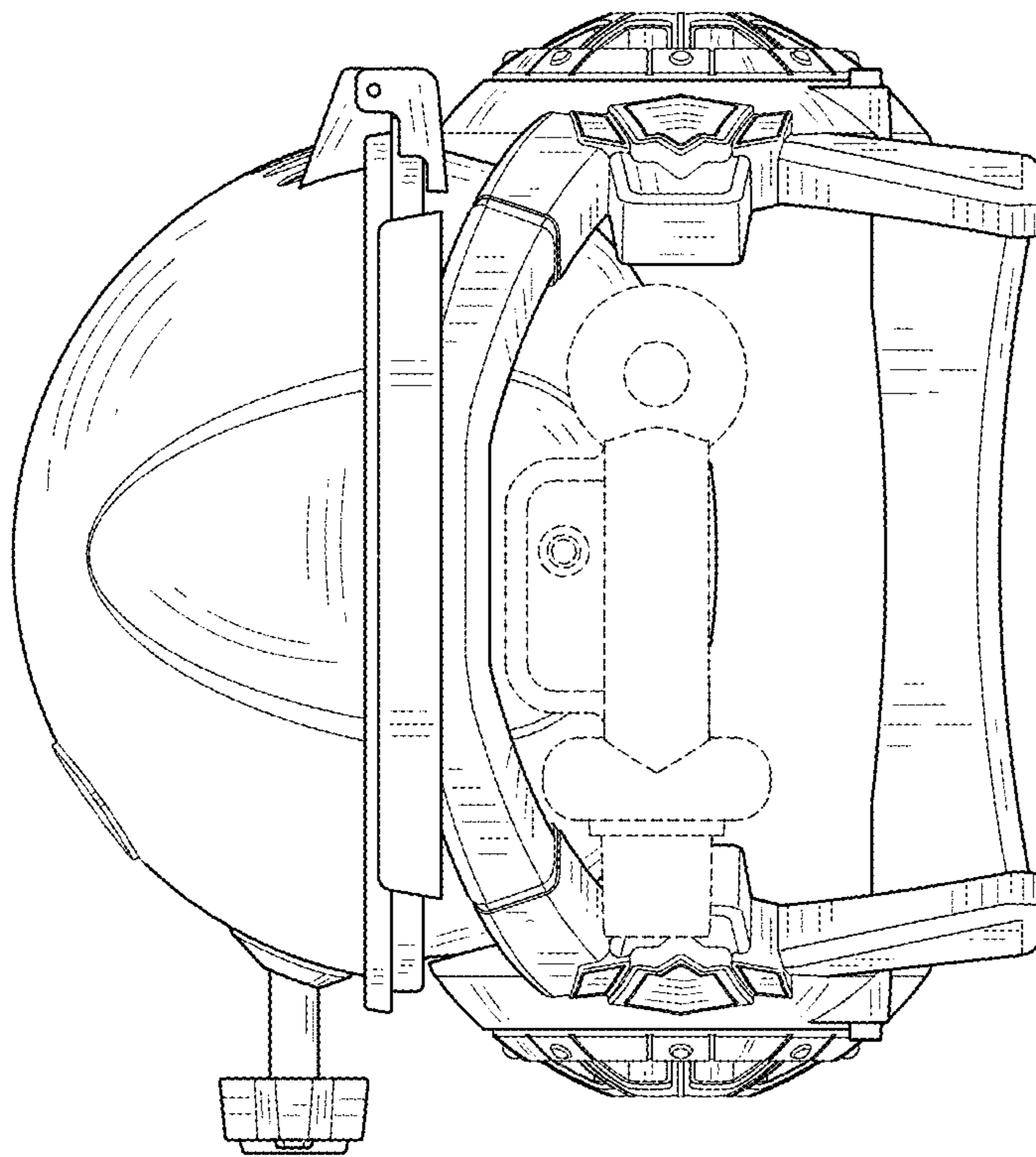


FIG. 5

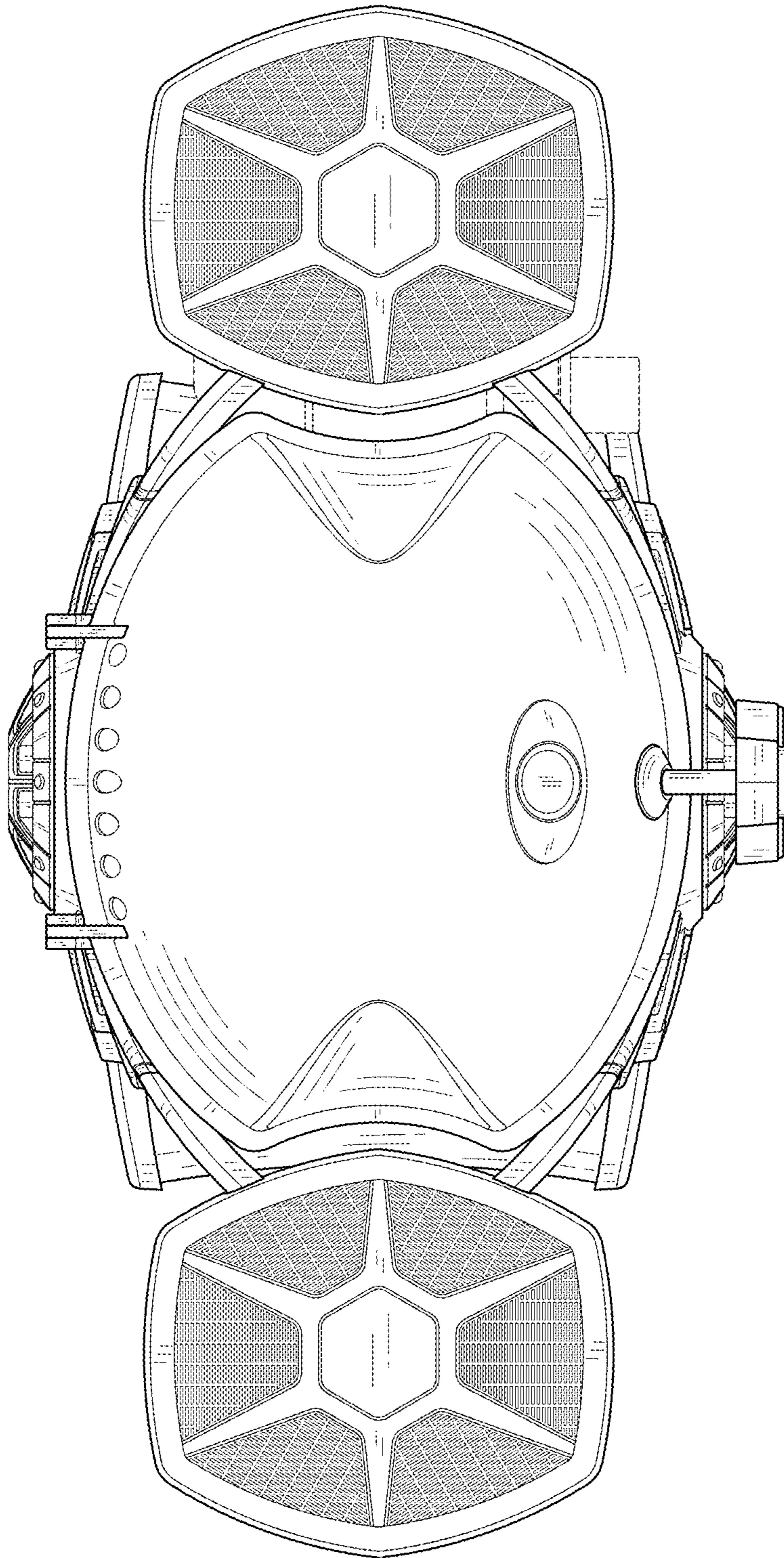


FIG. 6

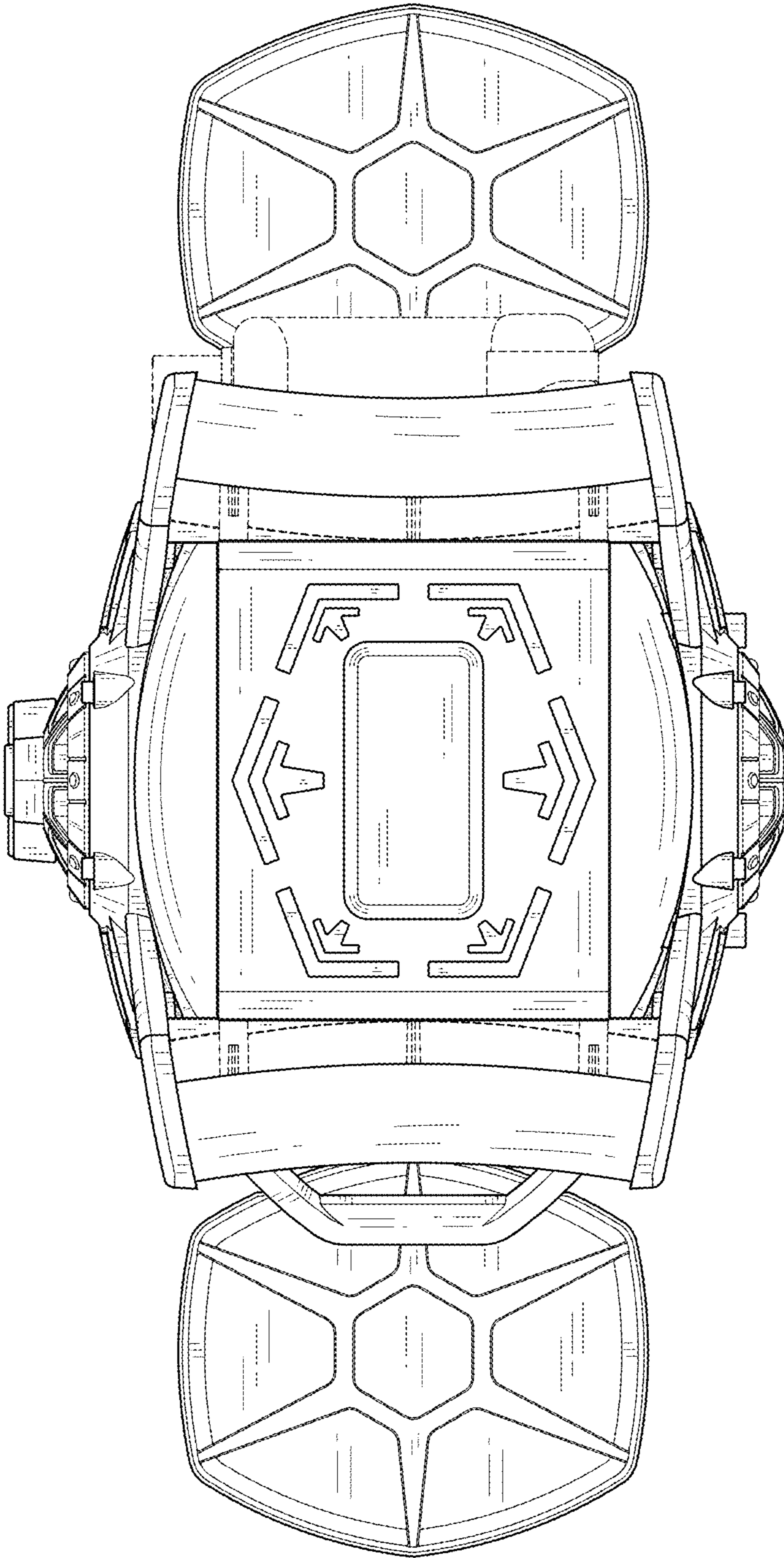


FIG. 7

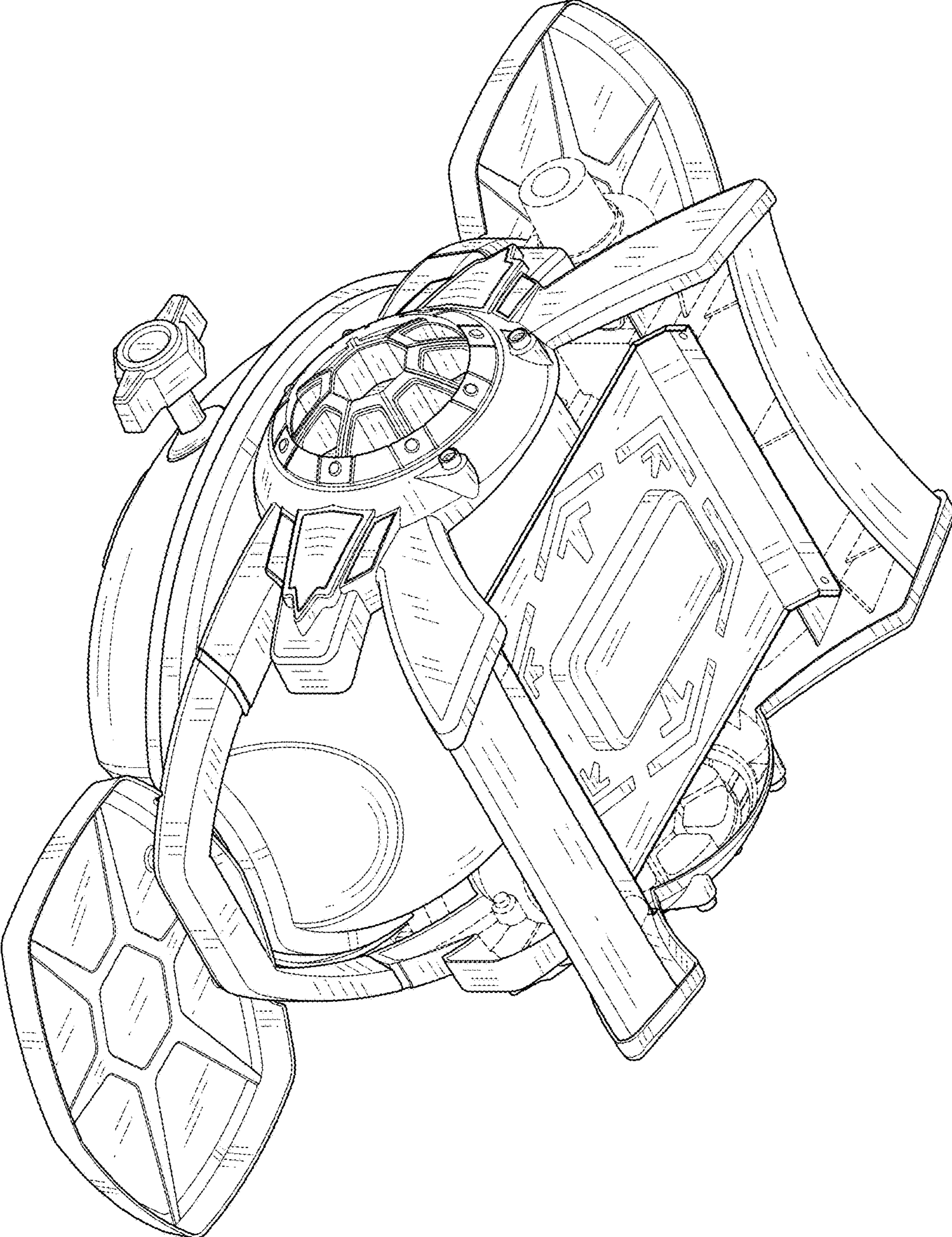


FIG. 8