



US00D820024S

(12) **United States Design Patent**
Yang

(10) **Patent No.:** **US D820,024 S**
(45) **Date of Patent:** **** Jun. 12, 2018**

- (54) **BARBECUE GRILL**
- (71) Applicant: **Hui-Feng Yang**, Taichung (TW)
- (72) Inventor: **Hui-Feng Yang**, Taichung (TW)
- (**) Term: **15 Years**
- (21) Appl. No.: **29/593,547**
- (22) Filed: **Feb. 9, 2017**
- (51) **LOC (11) Cl.** **07-02**
- (52) **U.S. Cl.**
USPC **D7/337**
- (58) **Field of Classification Search**
USPC D7/332-337, 352, 402-411
CPC A47J 37/0713; A47J 37/0763; A47J
37/0611; A47J 37/0704; A47J 37/0777;
A47J 37/0786; A47J 33/00
See application file for complete search history.

D760,012 S * 6/2016 Lin D7/337
 D790,903 S * 7/2017 Yang D7/337
 2004/0112365 A1* 6/2004 Johnson A47J 37/0713
 126/41 R
 2014/0251160 A1* 9/2014 Contarino, Jr. A47J 37/0786
 99/341

* cited by examiner

Primary Examiner — Susan Bennett Hattan
Assistant Examiner — Brett Miller
 (74) *Attorney, Agent, or Firm* — Egbert Law Offices,
 PLLC

(57) **CLAIM**

The ornamental design for a barbecue grill, as shown and described.

DESCRIPTION

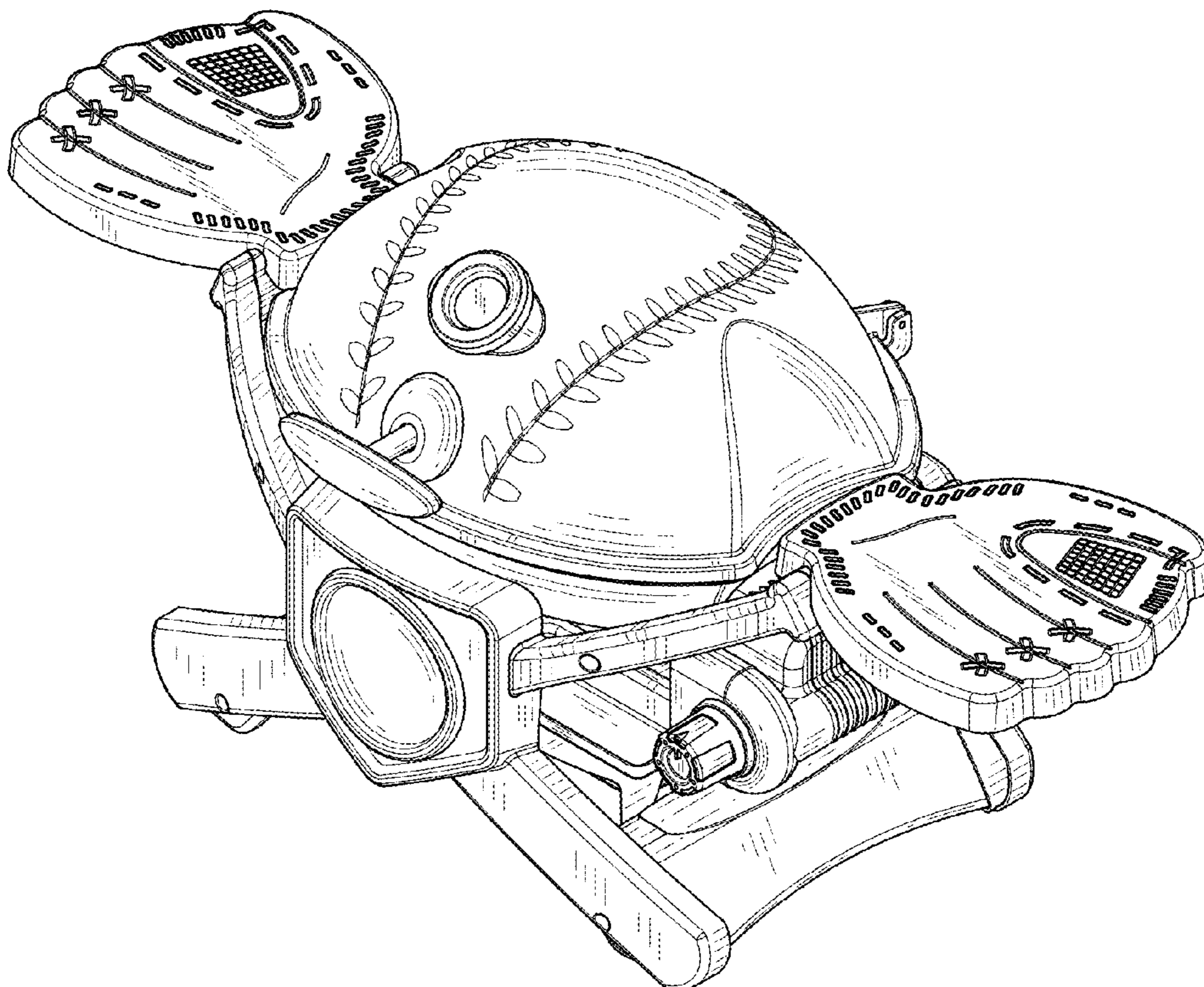
FIG. 1 is an upper perspective view of a barbecue grill showing my new design.
 FIG. 2 is a front elevation view thereof;
 FIG. 3 is a rear elevation view thereof;
 FIG. 4 is a side elevation view thereof;
 FIG. 5 is an opposite side elevation view thereof;
 FIG. 6 is a top plan view thereof;
 FIG. 7 is a bottom plan view thereof; and,
 FIG. 8 is a lower perspective view thereof.

1 Claim, 8 Drawing Sheets

(56) **References Cited**

U.S. PATENT DOCUMENTS

D439,793 S * 4/2001 Mak D7/332
 D465,379 S * 11/2002 Favela D7/332
 D510,680 S * 10/2005 Johnson D7/403
 D563,146 S * 3/2008 Henry D7/334
 D742,681 S * 11/2015 Pai D7/337



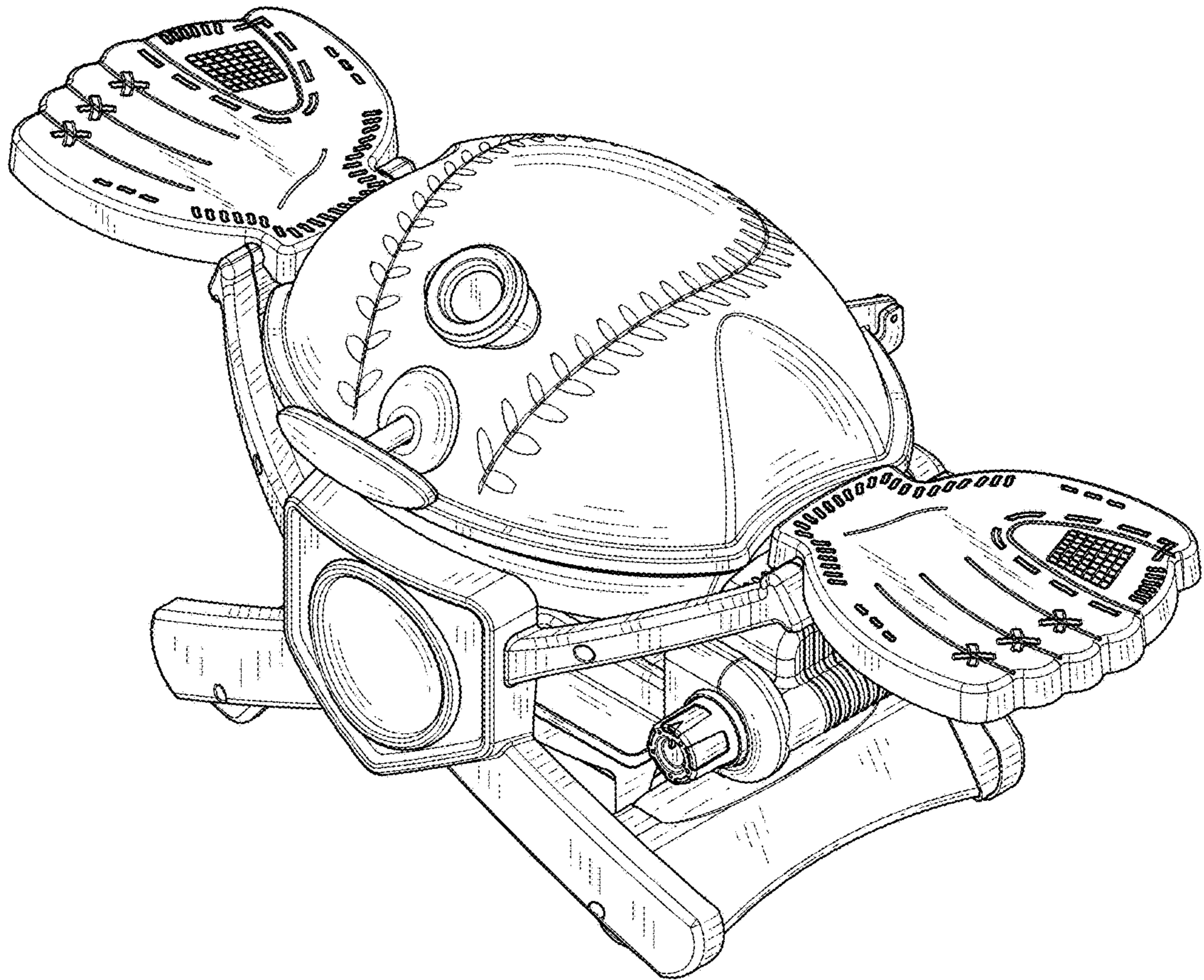


FIG. 1

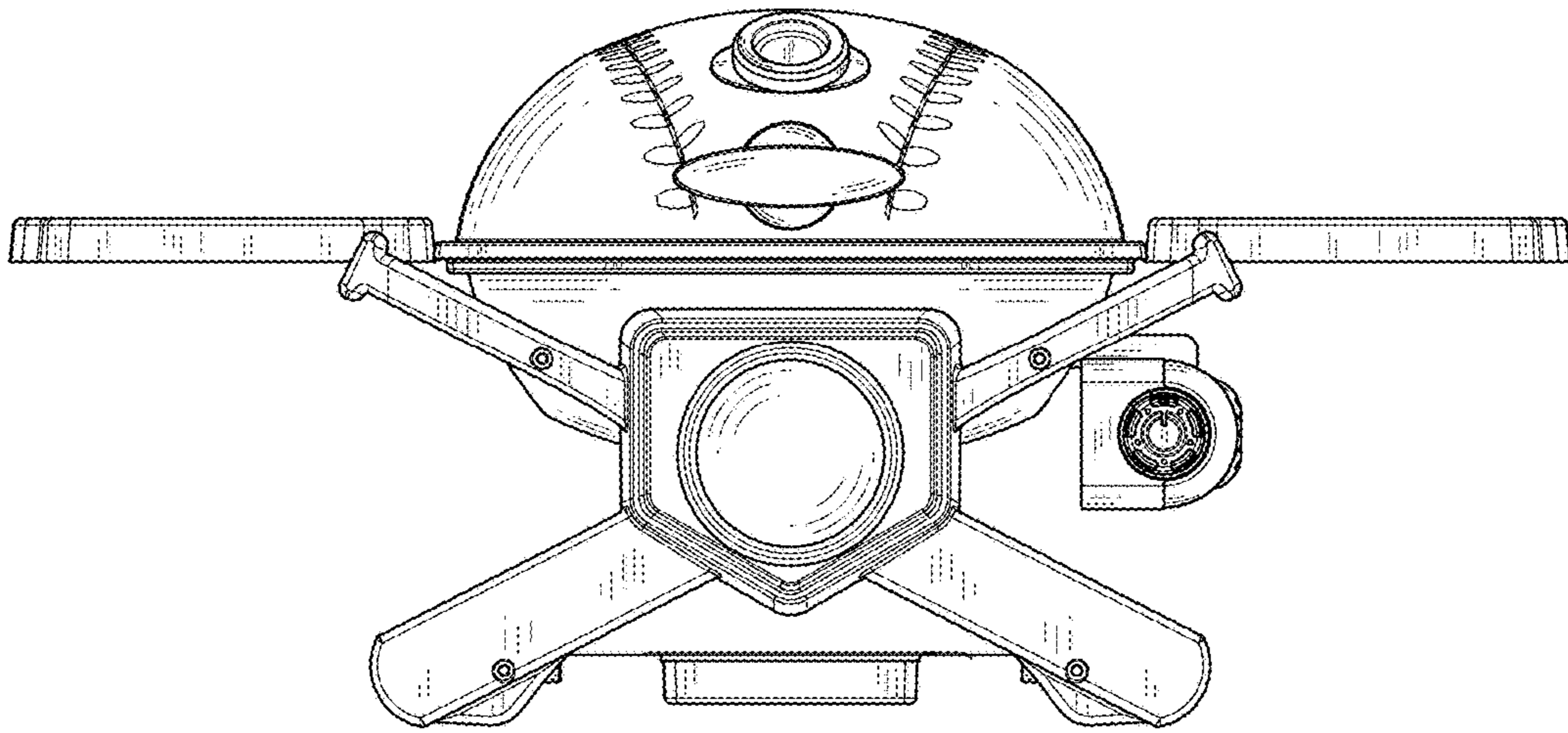


FIG. 2

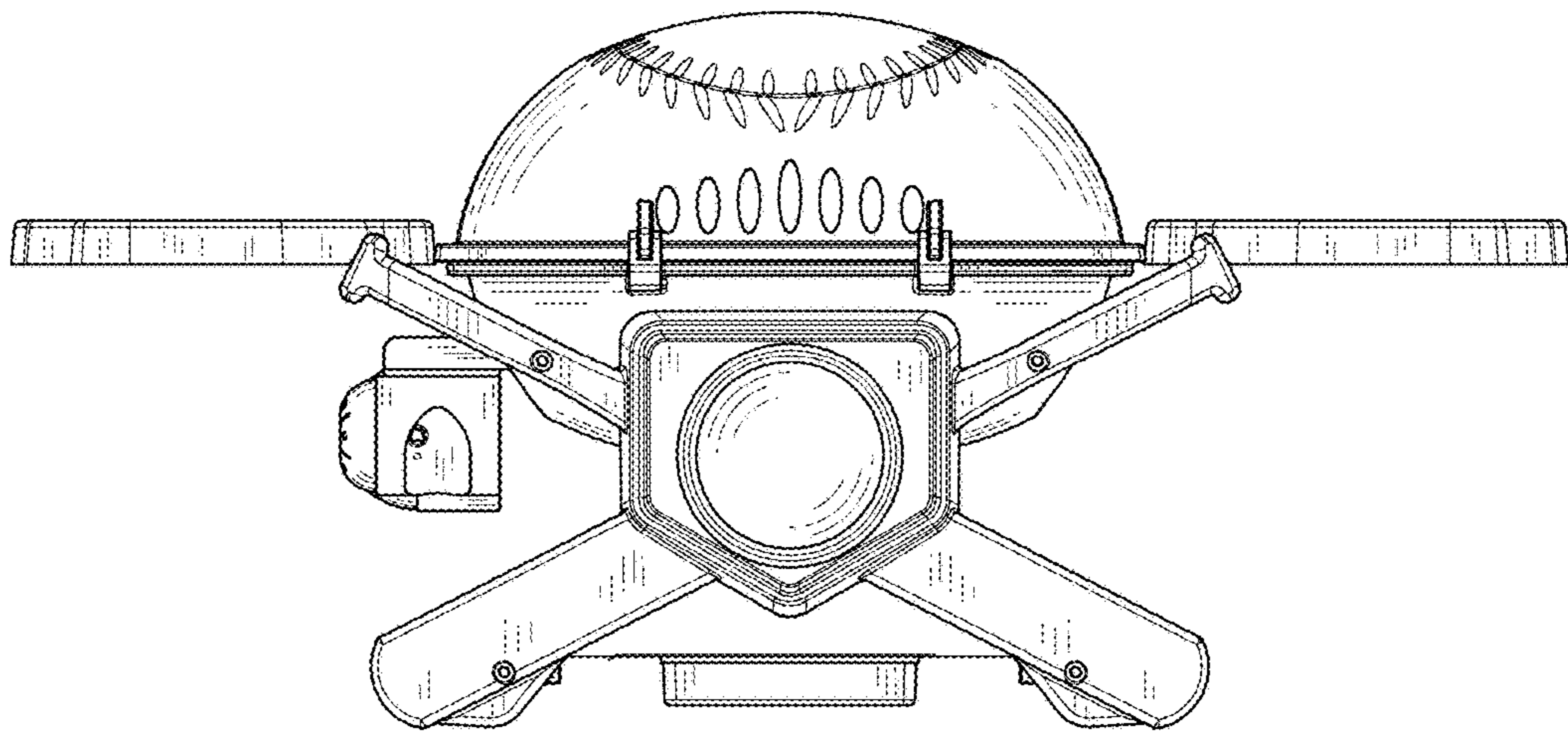


FIG. 3

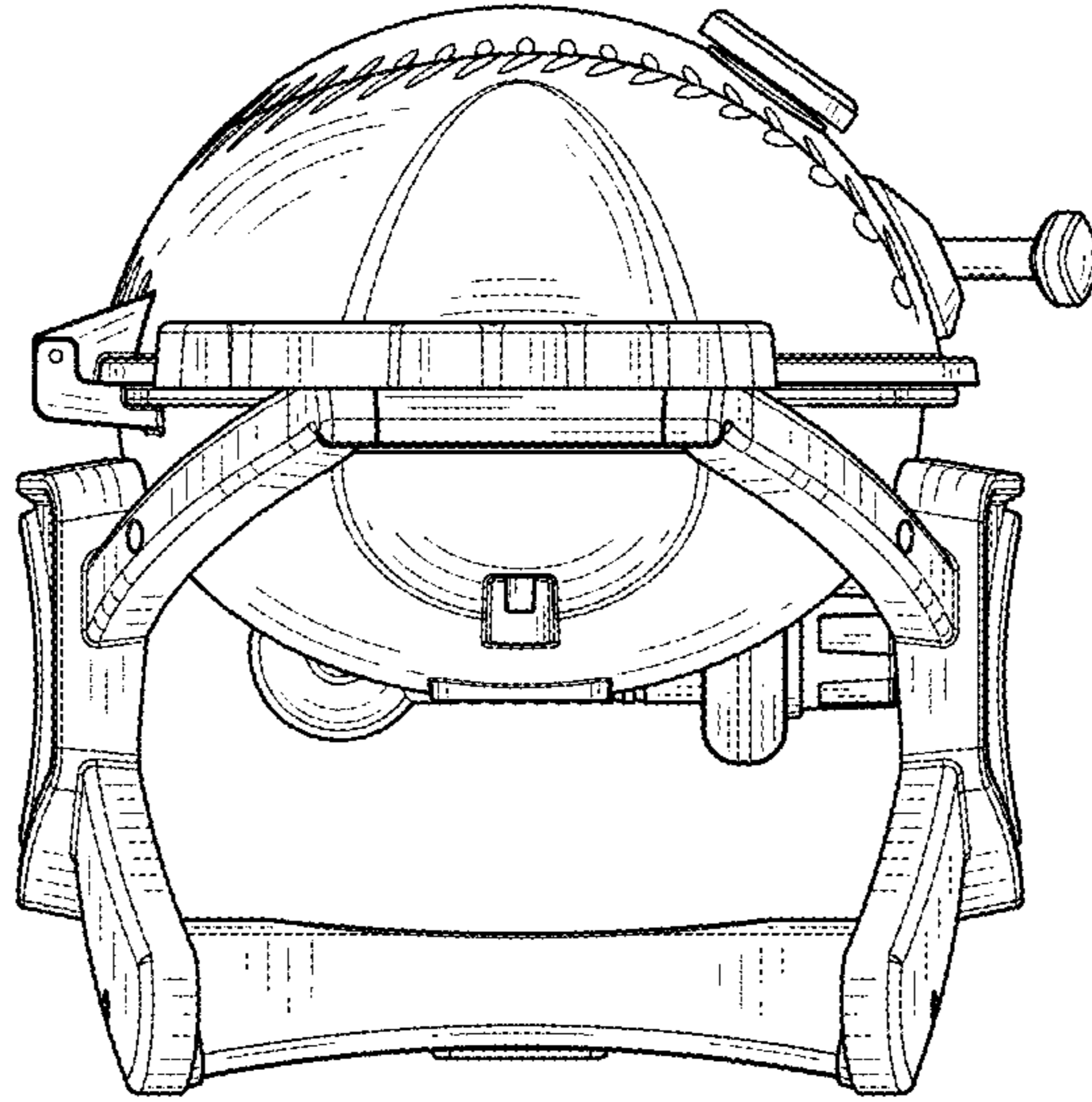


FIG. 4

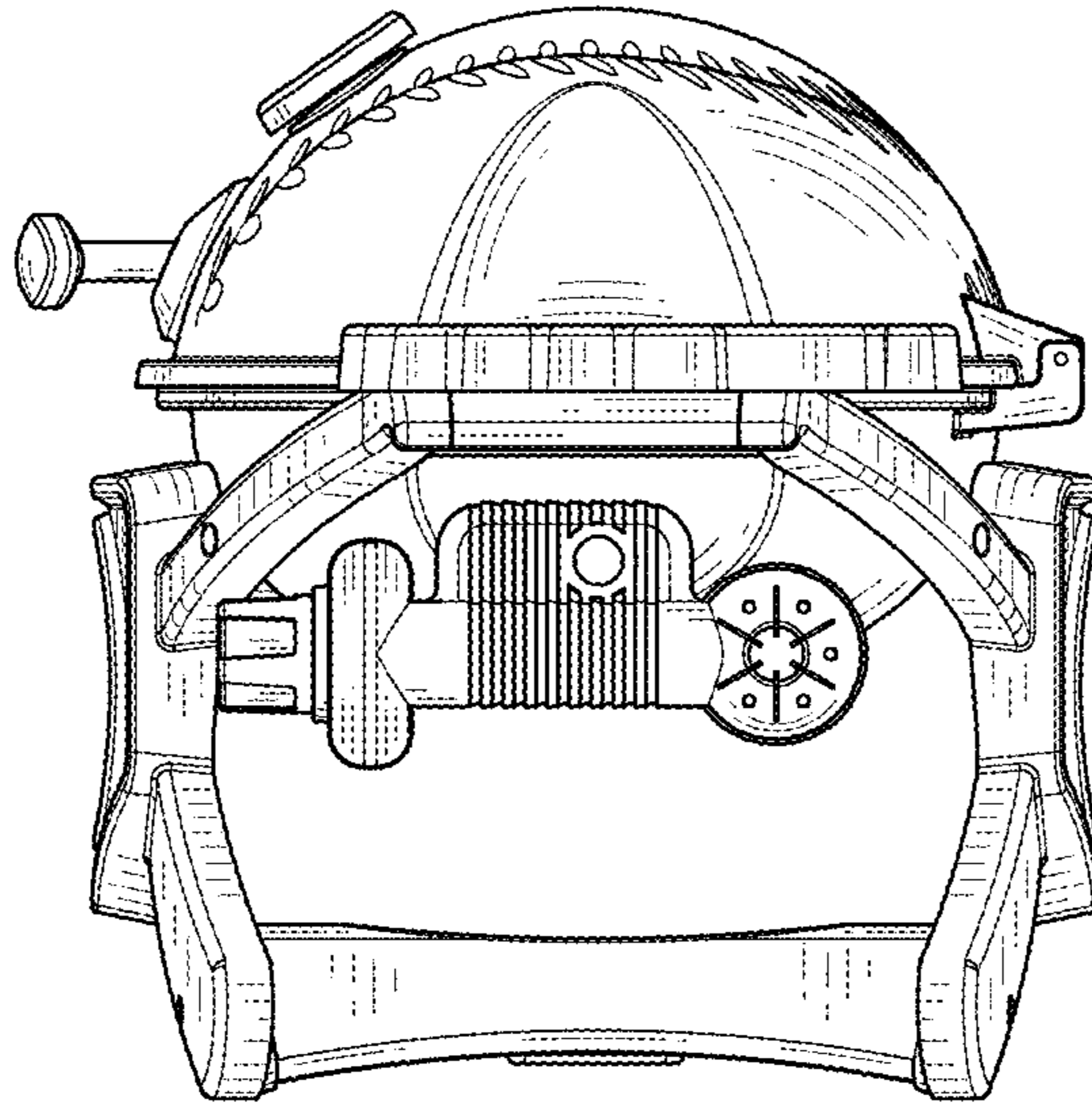


FIG. 5

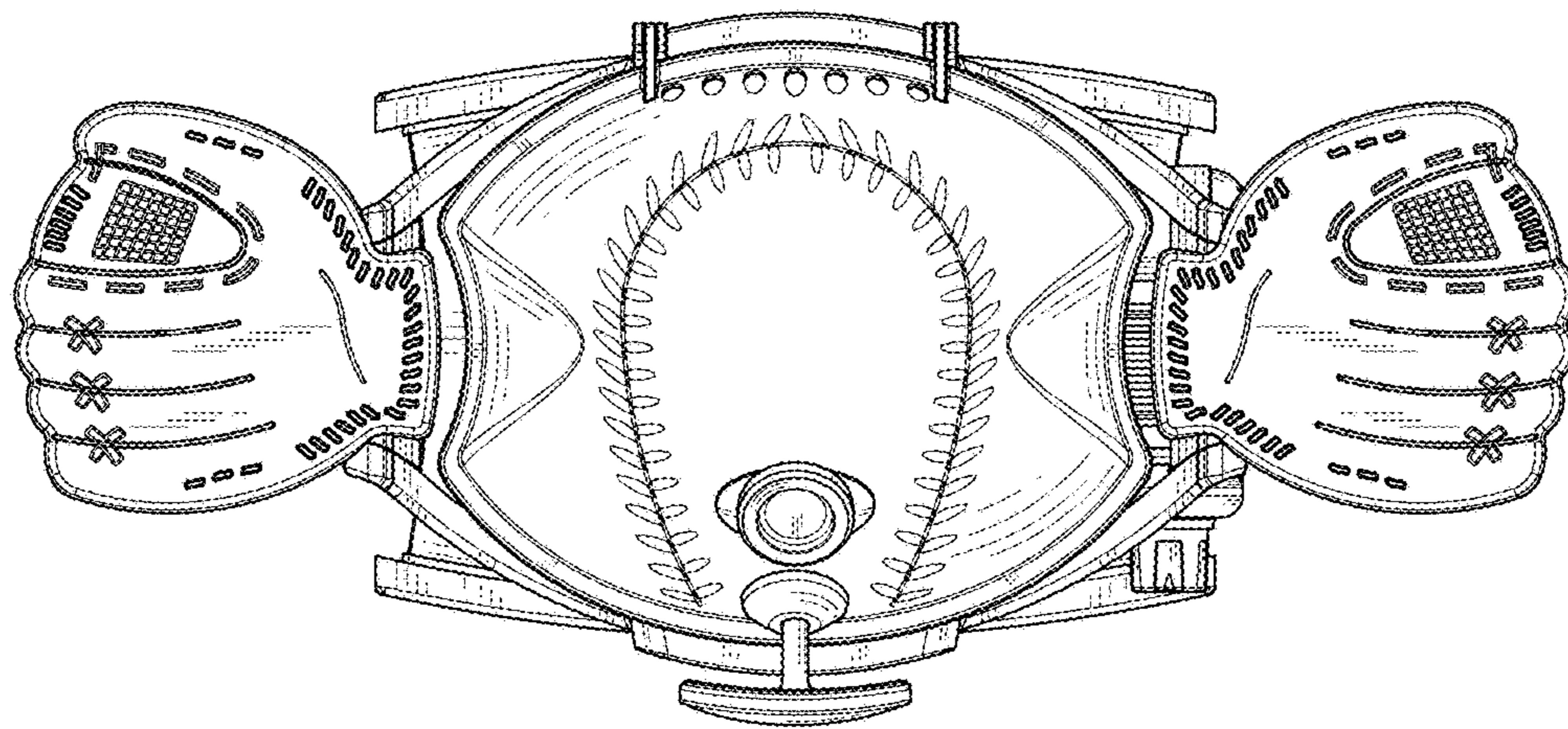


FIG. 6

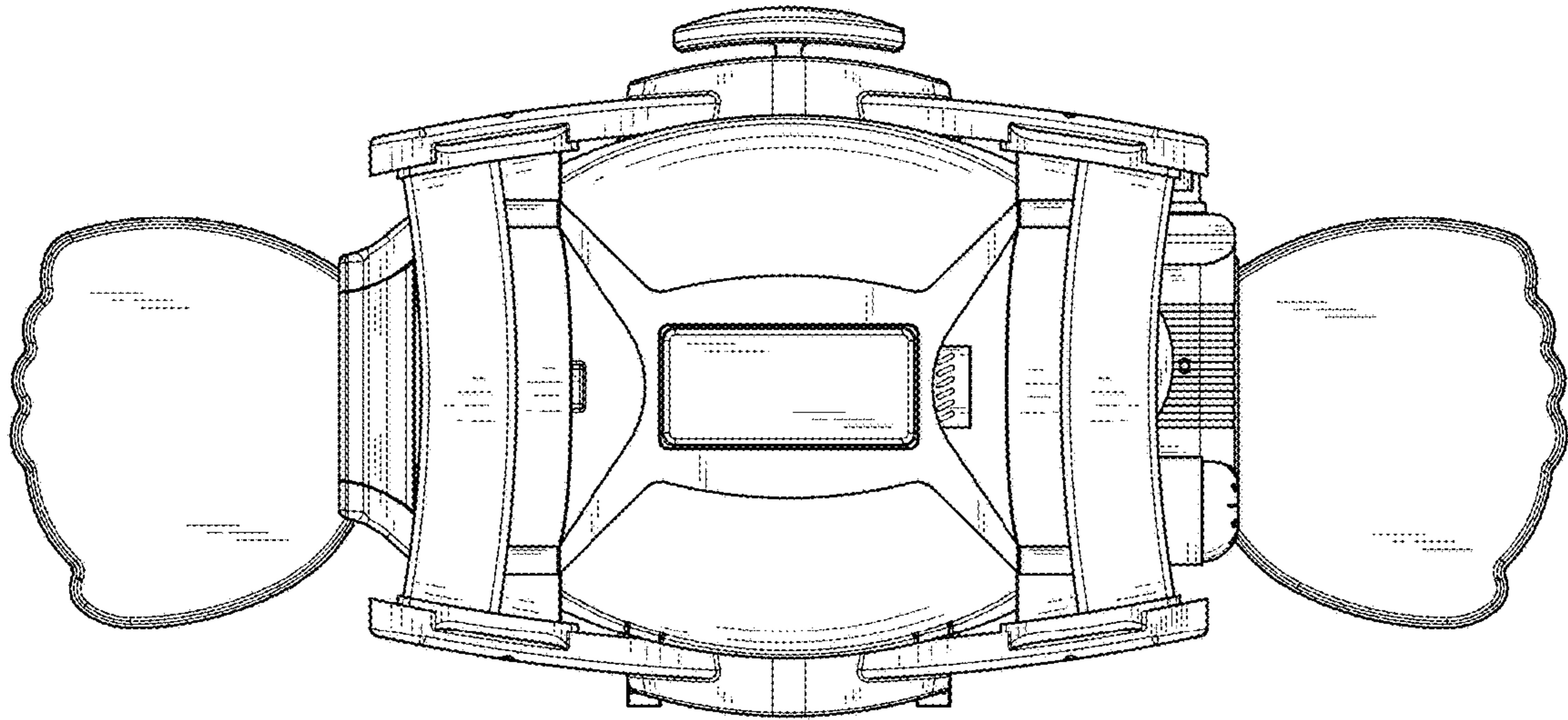


FIG. 7

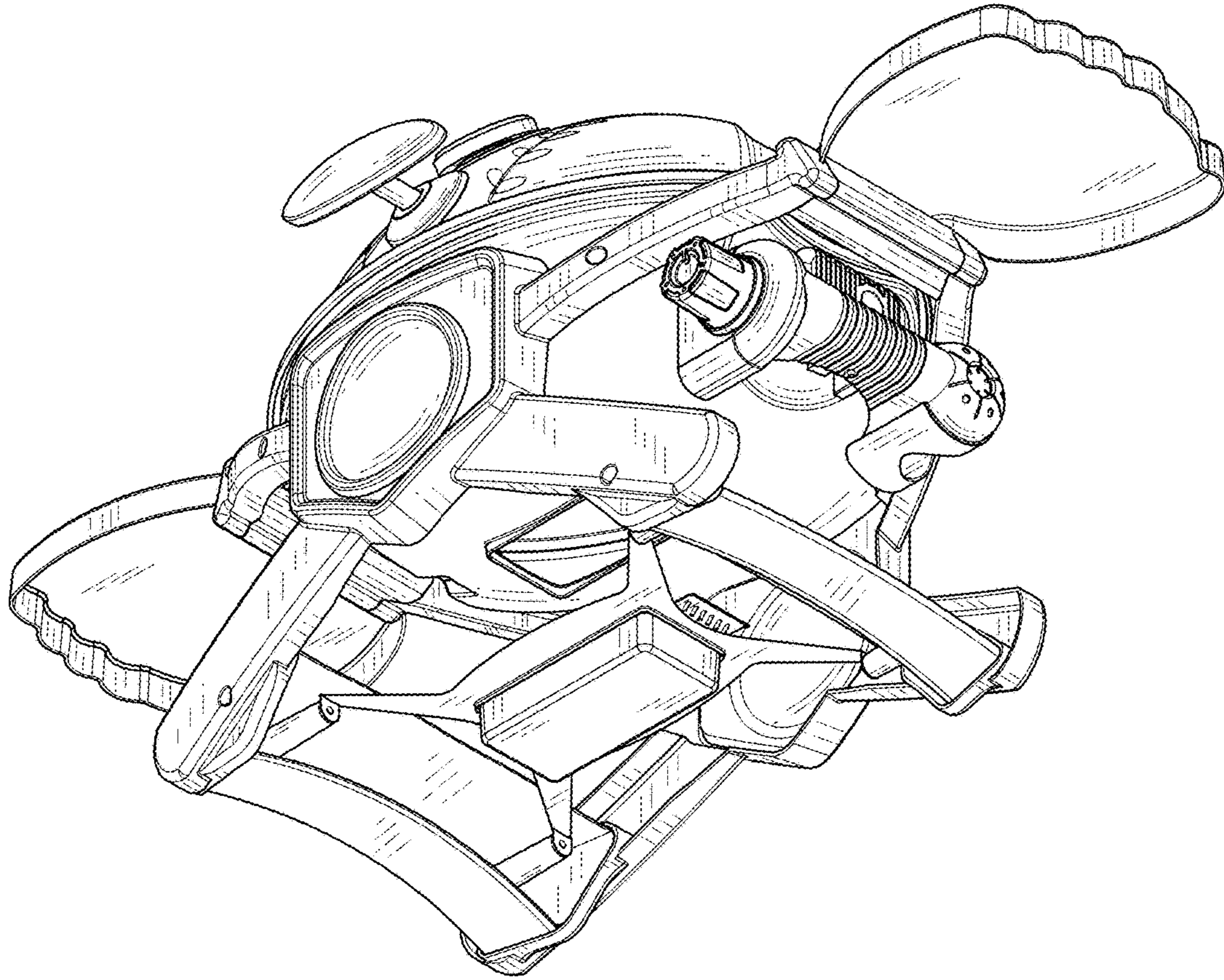


FIG. 8