



US00D820022S

(12) **United States Design Patent**
Jones et al.

(10) **Patent No.:** **US D820,022 S**
(45) **Date of Patent:** **** Jun. 12, 2018**

(54) **PATIO GRILL**

(71) Applicant: **W.C. BRADLEY CO.**, Columbus, GA
(US)

(72) Inventors: **Stephen Jones**, Sandy Springs, GA
(US); **Brad Gillespie**, Midland, GA
(US); **Mark Edward Davis**, Columbus,
GA (US)

(73) Assignee: **W.C. Bradley Co.**, Columbus, GA (US)

(**) Term: **15 Years**

(21) Appl. No.: **29/585,165**

(22) Filed: **Nov. 21, 2016**

(51) **LOC (11) Cl.** **07-02**

(52) **U.S. Cl.**
USPC **D7/334**

(58) **Field of Classification Search**
USPC D7/332-337, 402-411; 126/152 R, 25 R
CPC .. A47J 37/067; A47J 37/0694; A47J 37/0786;
A47J 37/0704; A47J 37/0713; A47J
37/0781; A47J 37/0777; A47J 37/0763;
A47J 37/0611; A47J 37/0709; A47J
37/0676; F24C 15/16

See application file for complete search history.

(56) **References Cited**

U.S. PATENT DOCUMENTS

D498,113 S * 11/2004 Zhang D7/332
D618,483 S * 6/2010 Chung D7/334

D677,111 S * 3/2013 Chung D7/337
D687,669 S * 8/2013 Chung D7/334
D709,315 S * 7/2014 Witzel D7/332
D712,191 S * 9/2014 Chung D7/334
D726,491 S * 4/2015 Witzel D7/334

* cited by examiner

Primary Examiner — Susan Bennett Hattan

Assistant Examiner — Brett Miller

(74) *Attorney, Agent, or Firm* — David G. Woodral;
GableGotwals

(57) **CLAIM**

The ornamental design for a patio grill, as shown and described herein.

DESCRIPTION

FIG. 1 is a left front perspective view of the patio grill of the invention.

FIG. 2 is a frontal elevational view of the patio grill of the invention.

FIG. 3 is a rear elevational view of the patio grill of the invention.

FIG. 4 is a right side elevational view of the patio grill of the invention.

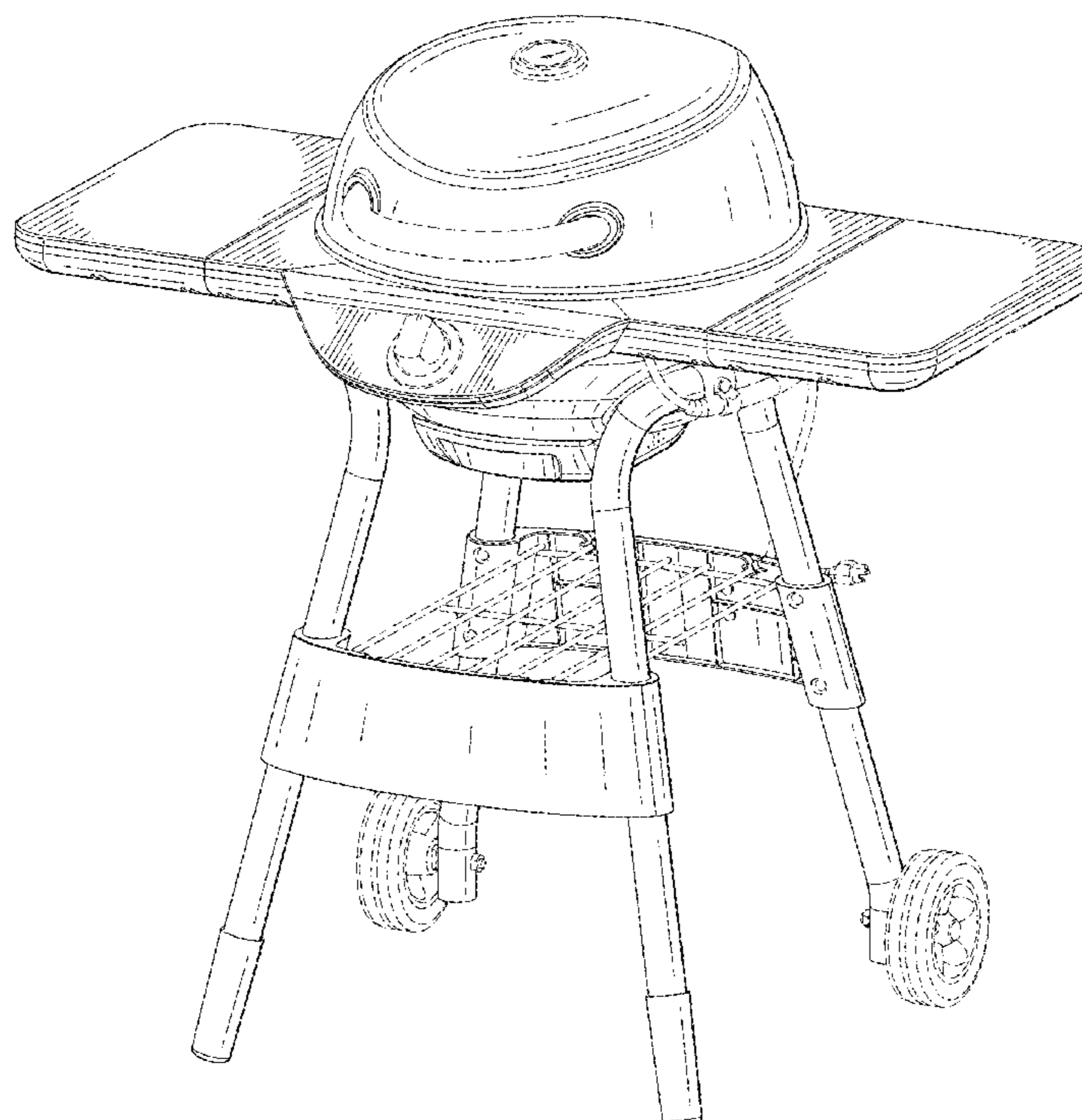
FIG. 5 is a left side elevational view of the patio grill of the invention.

FIG. 6 is a superior view of the patio grill of the invention; and,

FIG. 7 is a bottom view of the patio grill of the invention.

The broken lines in the figures depict portions of the patio grill that form no part of the claimed design.

1 Claim, 6 Drawing Sheets



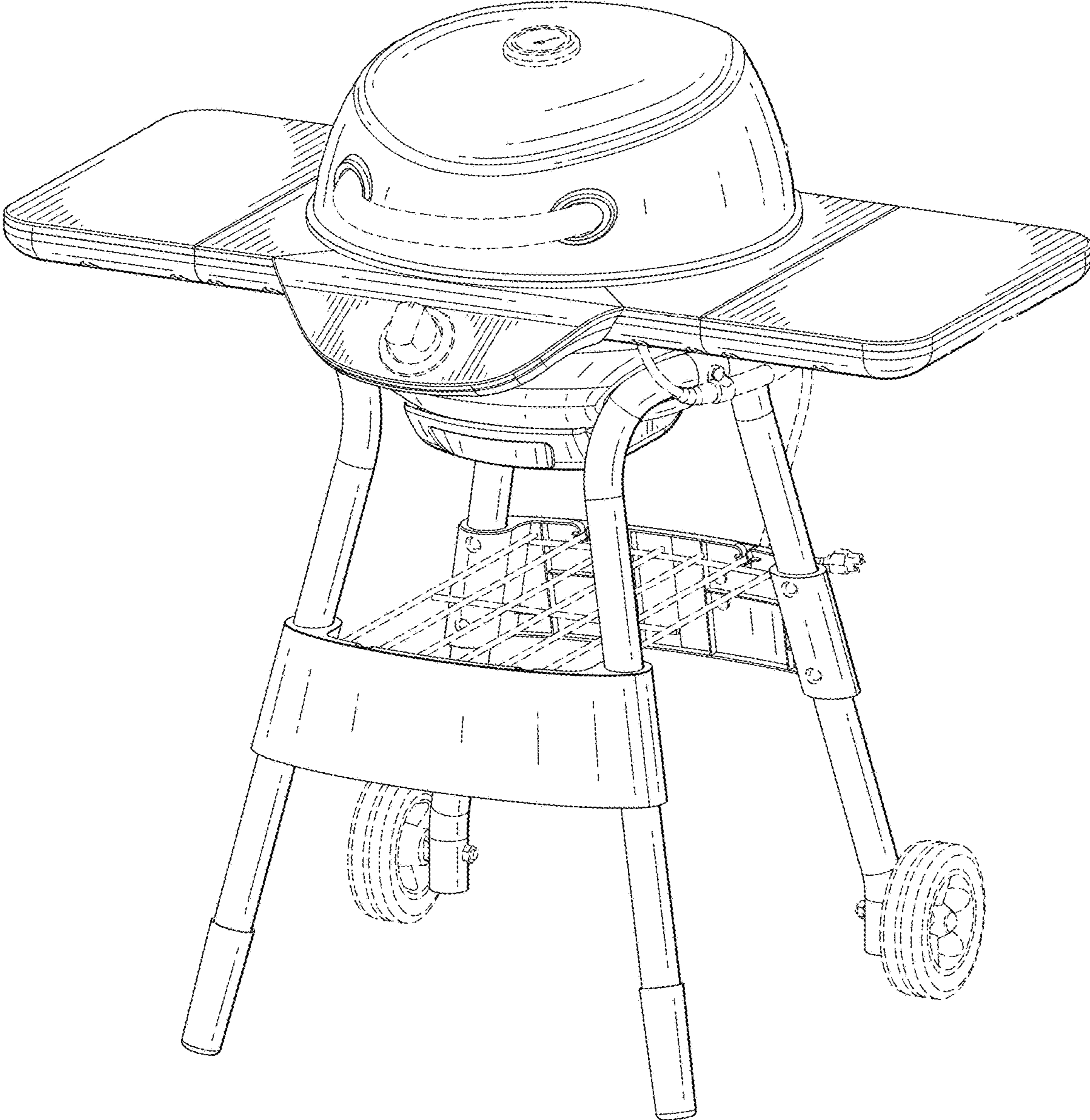


FIG. 1

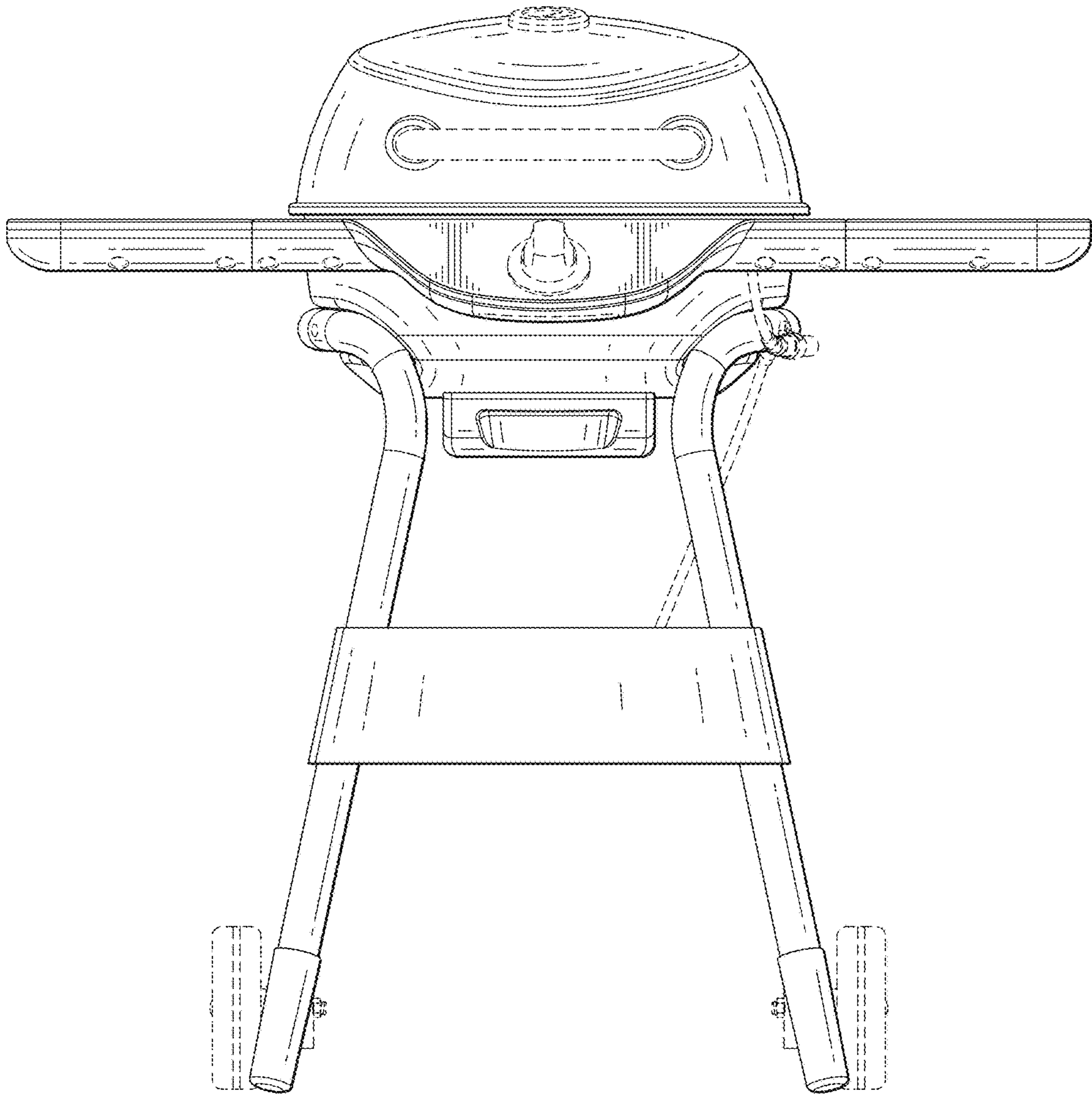


FIG. 2

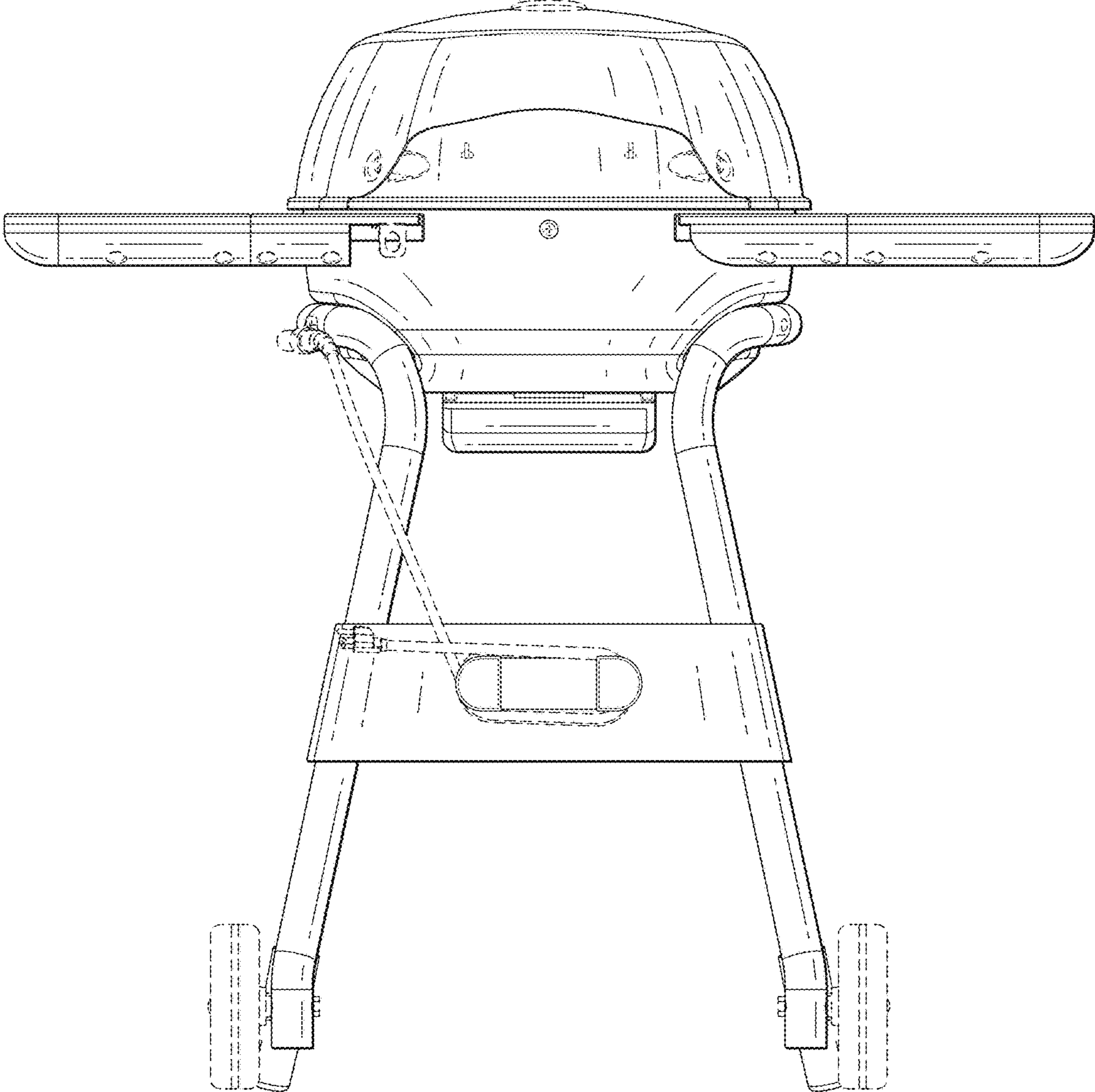


FIG. 3

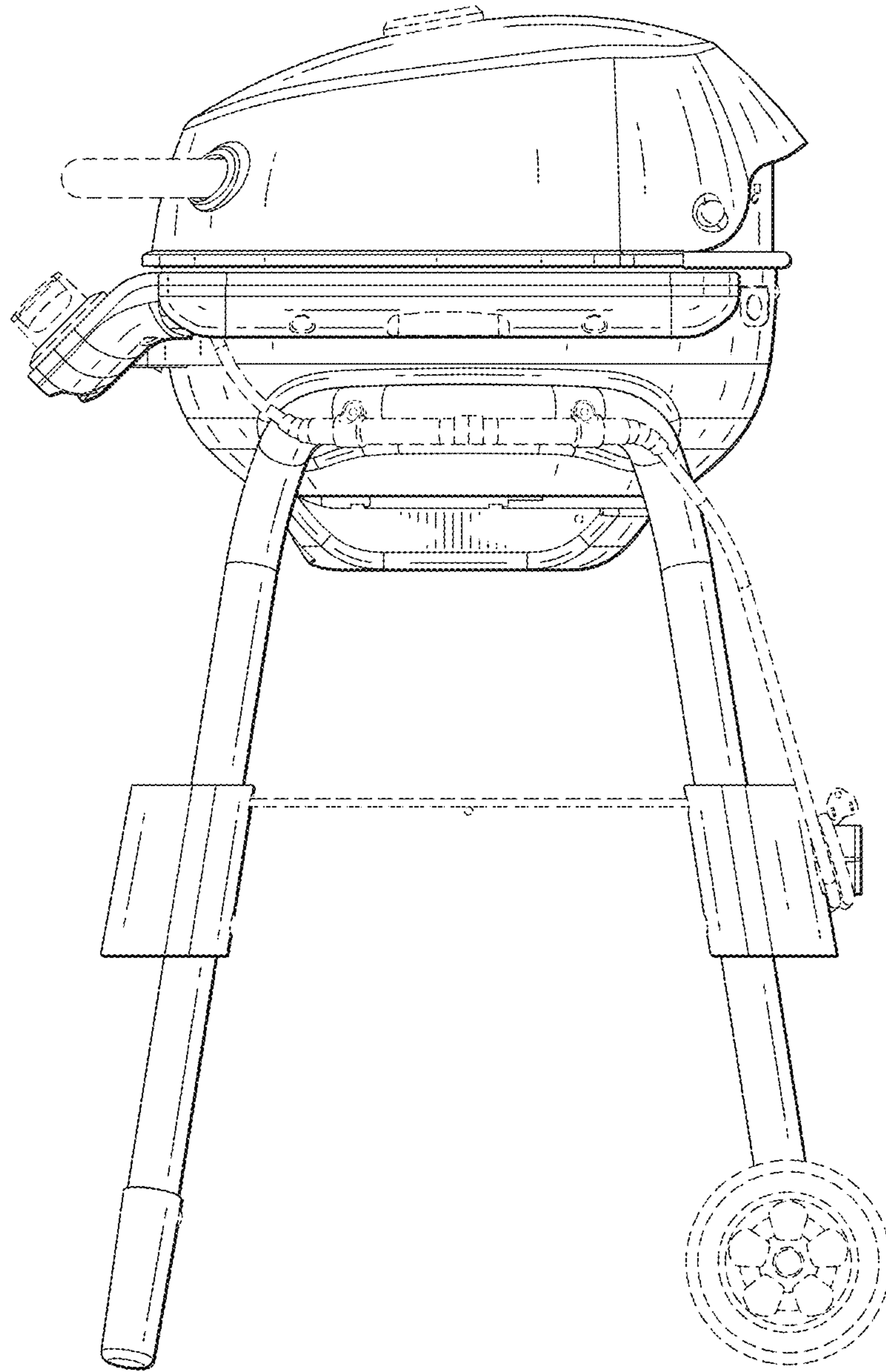


FIG. 4

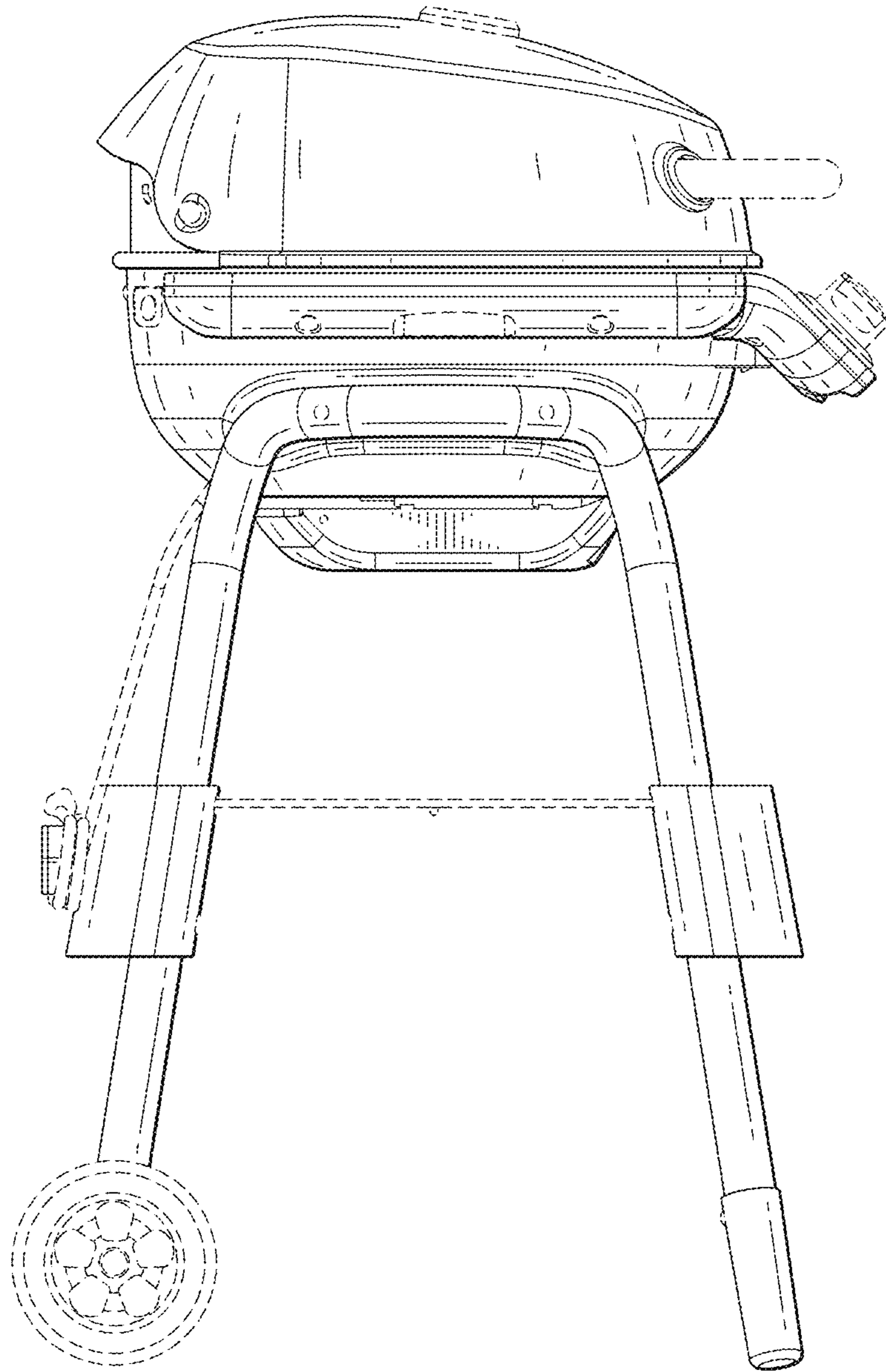


FIG. 5

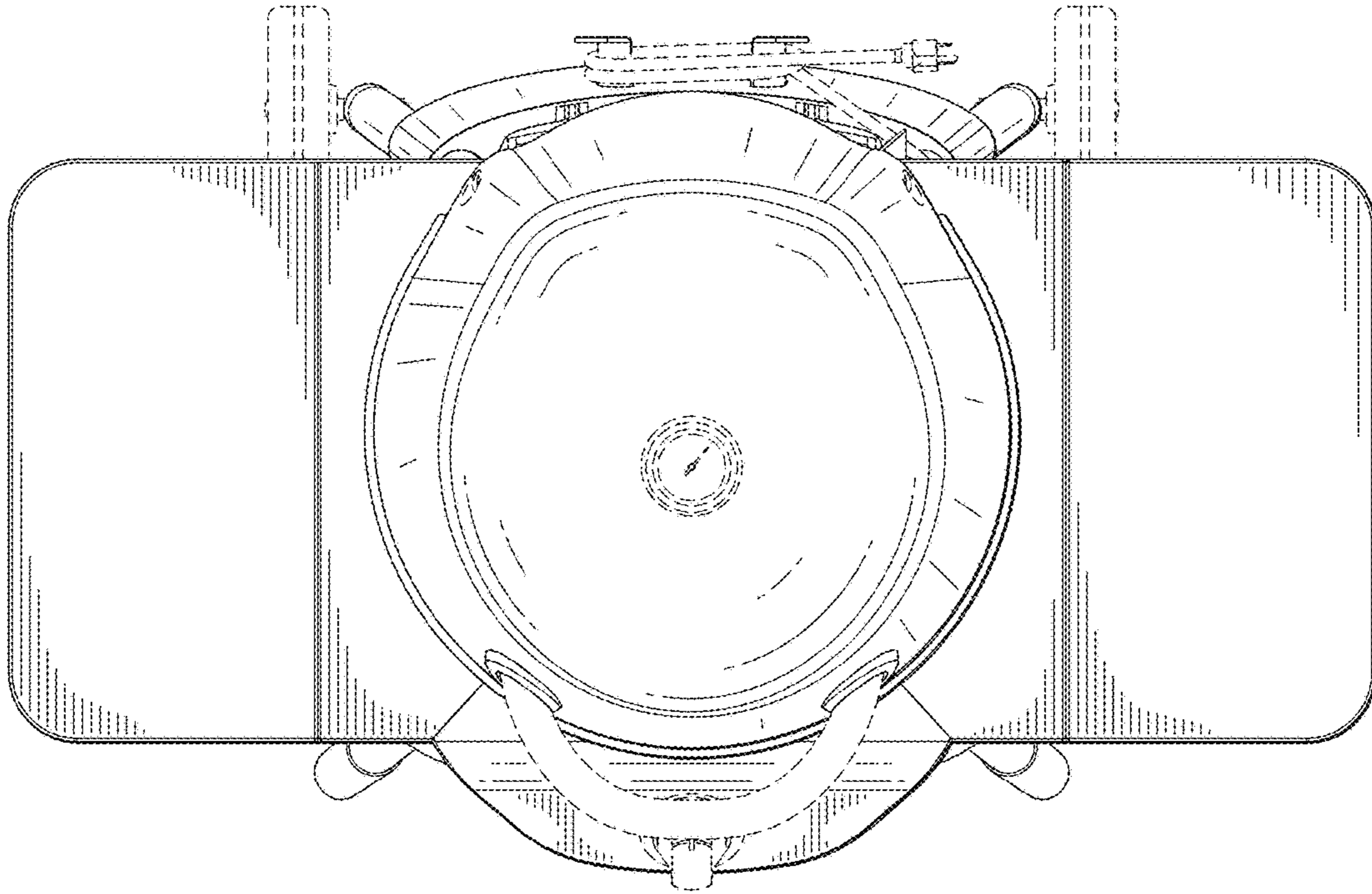


FIG. 6

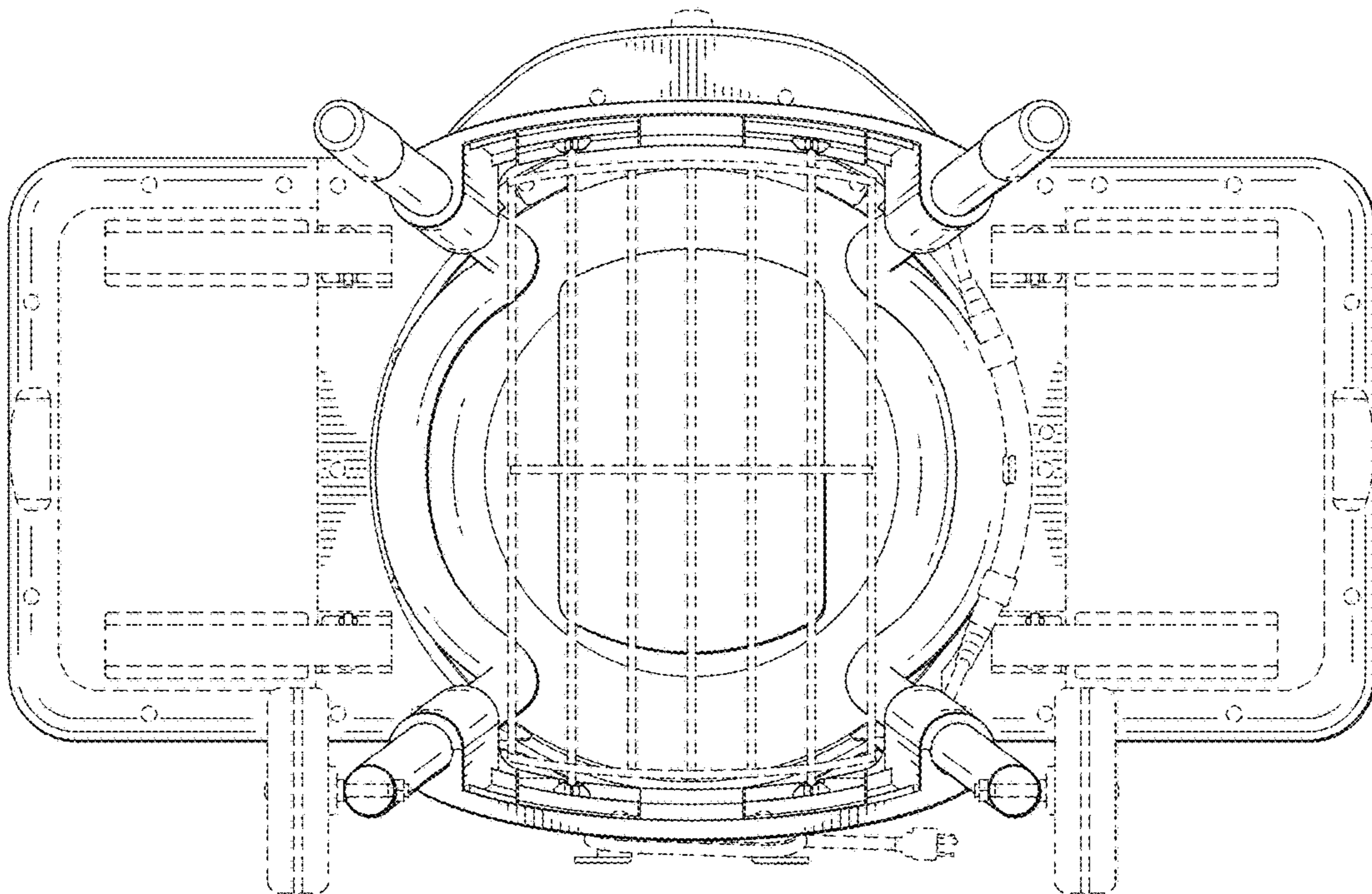


FIG. 7