



US00D820021S

(12) **United States Design Patent**  
**Henderson**

(10) **Patent No.:** **US D820,021 S**

(45) **Date of Patent:** **\*\* Jun. 12, 2018**

(54) **CAN-SHAPED GRILL**

(71) Applicant: **Neil Henderson**, San Pedro, CA (US)

(72) Inventor: **Neil Henderson**, San Pedro, CA (US)

(\*\*) Term: **15 Years**

(21) Appl. No.: **29/568,486**

(22) Filed: **Jun. 18, 2016**

(51) **LOC (11) Cl.** ..... **07-02**

(52) **U.S. Cl.**  
USPC ..... **D7/332**

(58) **Field of Classification Search**  
USPC ..... D7/332-337, 354, 402, 403  
CPC ..... A47J 37/0704; A47J 37/0786; A47J  
37/0763; A47J 37/0713; A47J 37/0781;  
A47J 33/00; F24C 15/12; F24C 15/18  
See application file for complete search history.

(56) **References Cited**

**U.S. PATENT DOCUMENTS**

- 4,495,860 A \* 1/1985 Hitch ..... A47J 37/0704  
126/9 R
- D370,380 S \* 6/1996 McGourthy, Jr. .... D7/332
- D374,371 S \* 10/1996 Hall McDonald ..... D7/332
- D488,665 S \* 4/2004 Zhi ..... D7/332
- D524,091 S \* 7/2006 Lai ..... D7/332
- D576,833 S \* 9/2008 Mansell ..... D7/332
- D650,215 S \* 12/2011 Chung ..... D7/332

2005/0217657 A1\* 10/2005 Anue ..... A47J 37/0786  
126/9 R

2006/0260599 A1\* 11/2006 Butt ..... A47J 37/0786  
126/25 R

2012/0167867 A1 7/2012 Fisher

\* cited by examiner

*Primary Examiner* — Susan Bennett Hattan

*Assistant Examiner* — Brett Miller

(74) *Attorney, Agent, or Firm* — Mitchell Law PLLC;  
Matthew W. Mitchell

(57) **CLAIM**

The ornamental design for a can-shaped grill, as shown and described.

**DESCRIPTION**

FIG. 1 is a front isometric view of the invention of the present invention;

FIG. 2 is a rear isometric view of the invention;

FIG. 3 is a front view of the invention;

FIG. 4 is a rear view in elevation of the invention;

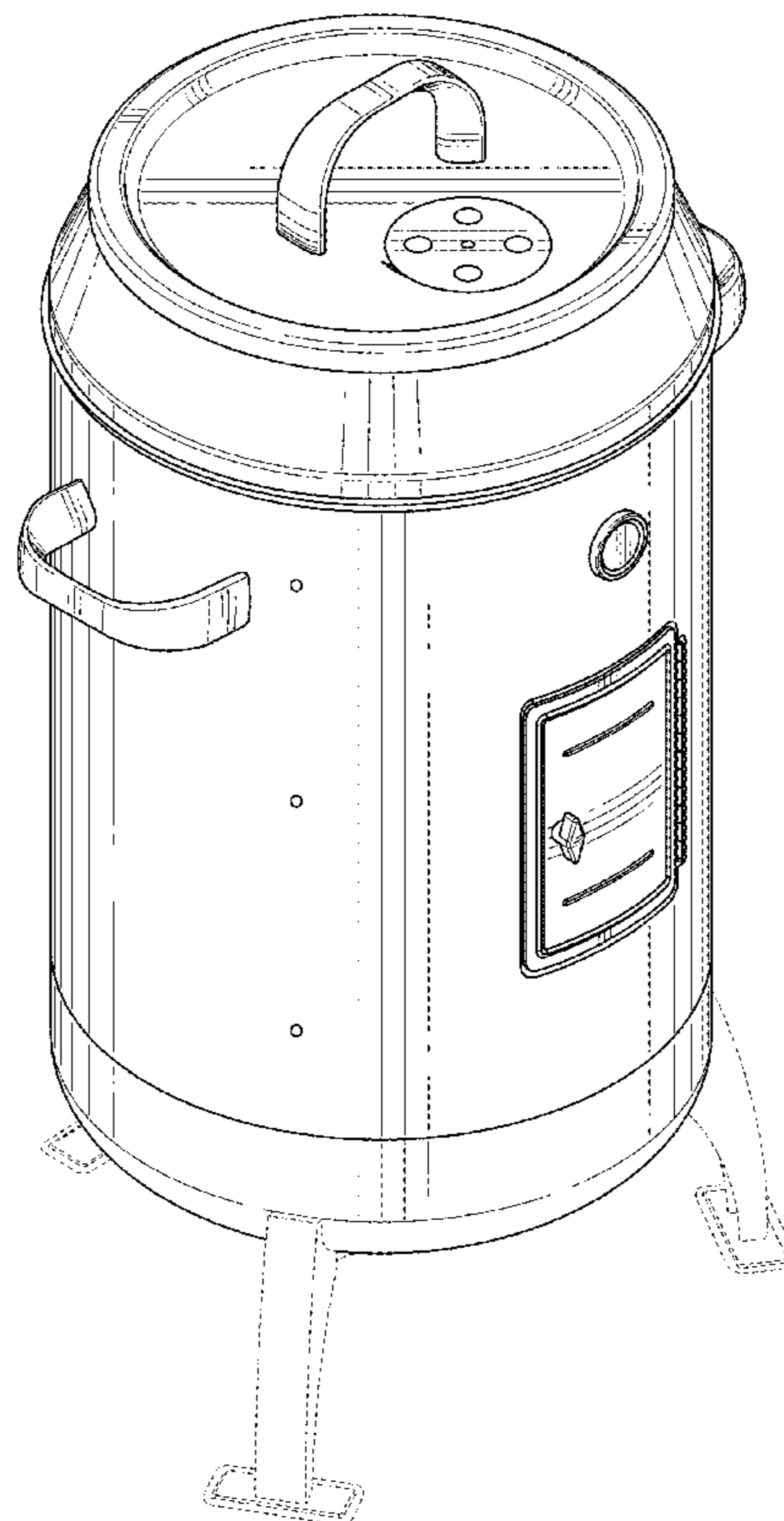
FIG. 5 is a side view of the invention, as seen from the right side of FIG. 3;

FIG. 6 is a side view of the invention, as seen from the left side of FIG. 3;

FIG. 7 is a top plan view in elevation of the invention; and, FIG. 8 is a bottom plan view of the invention.

The broken lines showing legs and unclaimed portions of the can-shaped grill are included for contextual purposes and form no part of the claimed design.

**1 Claim, 8 Drawing Sheets**



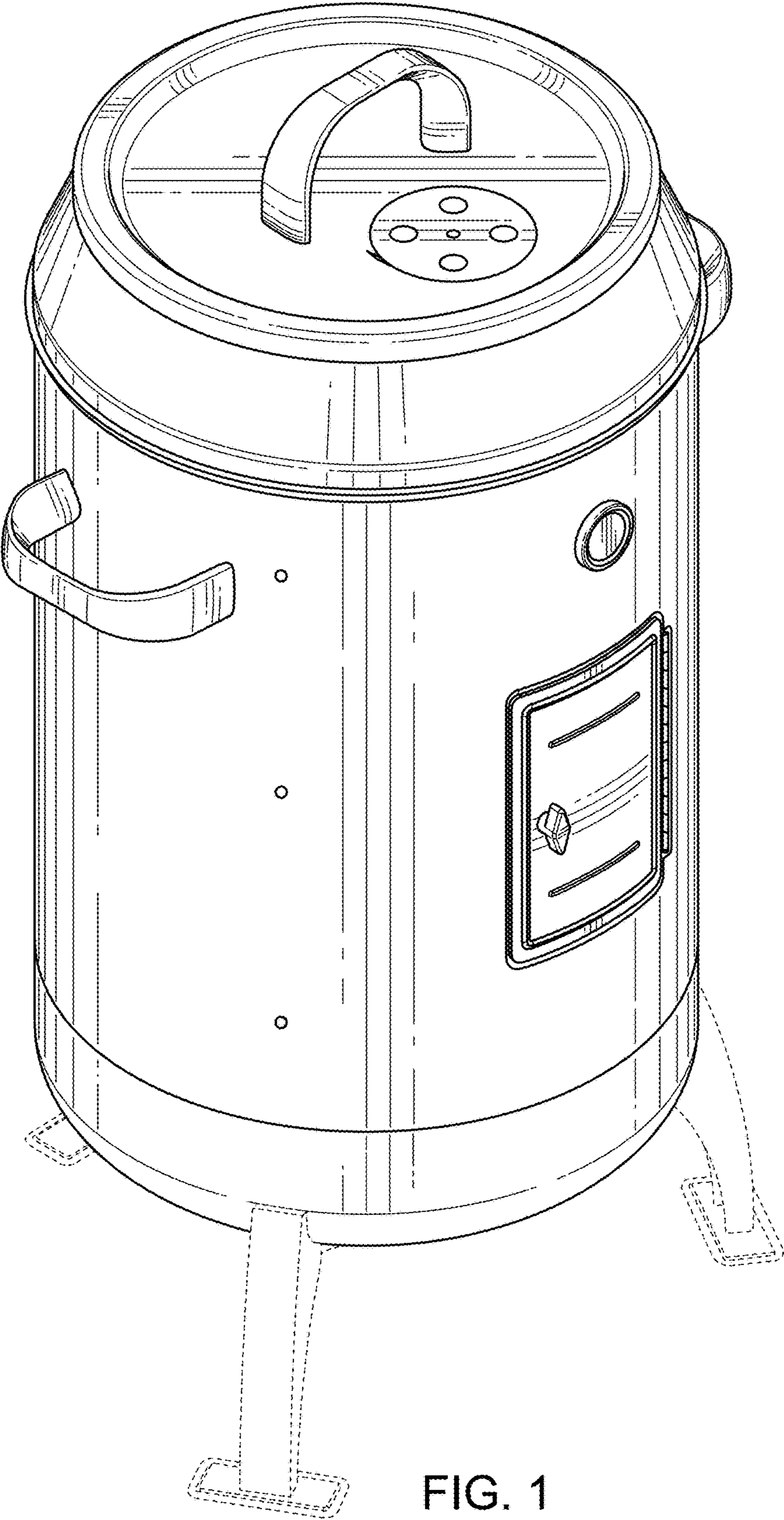


FIG. 1

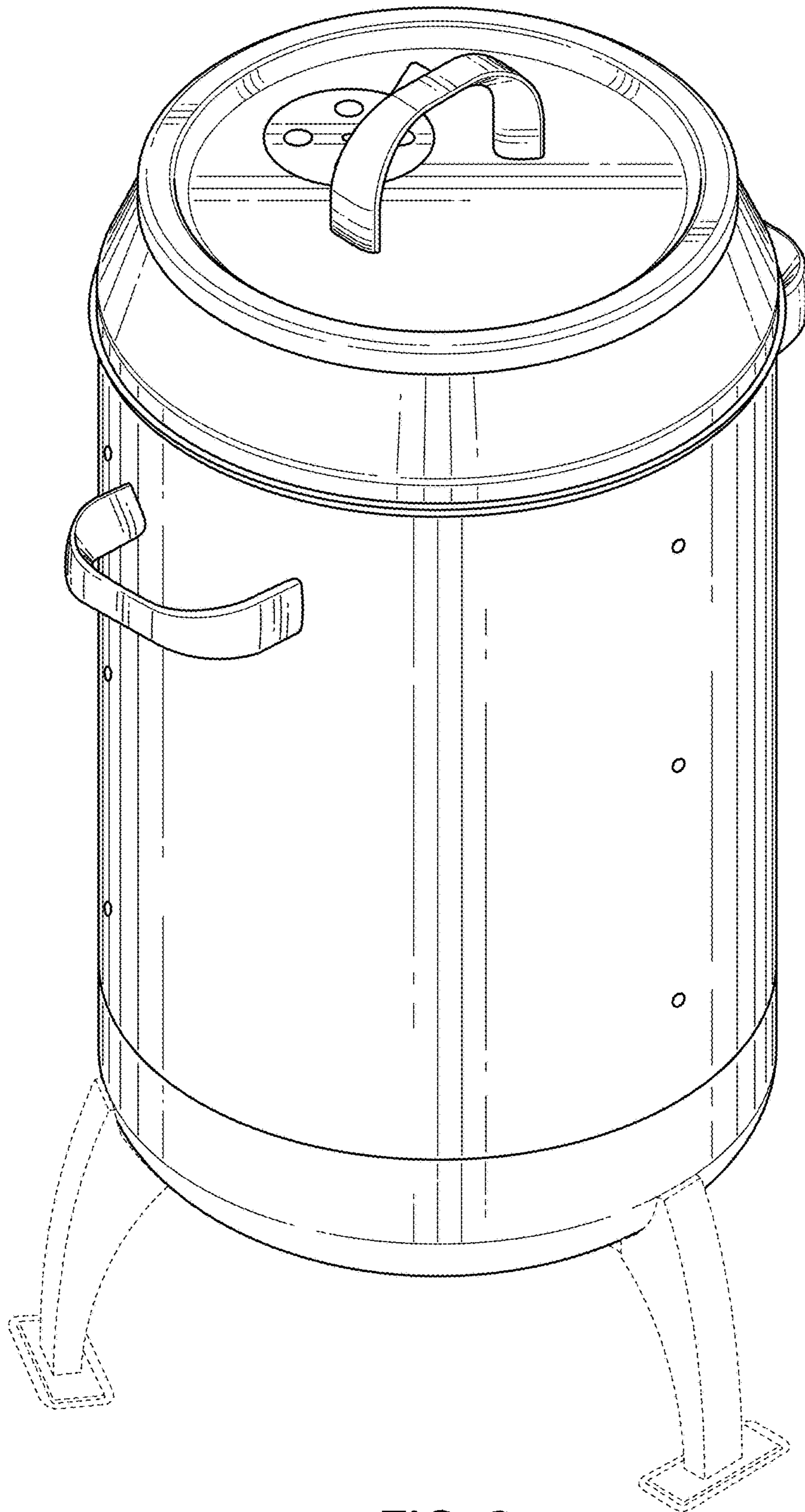


FIG. 2

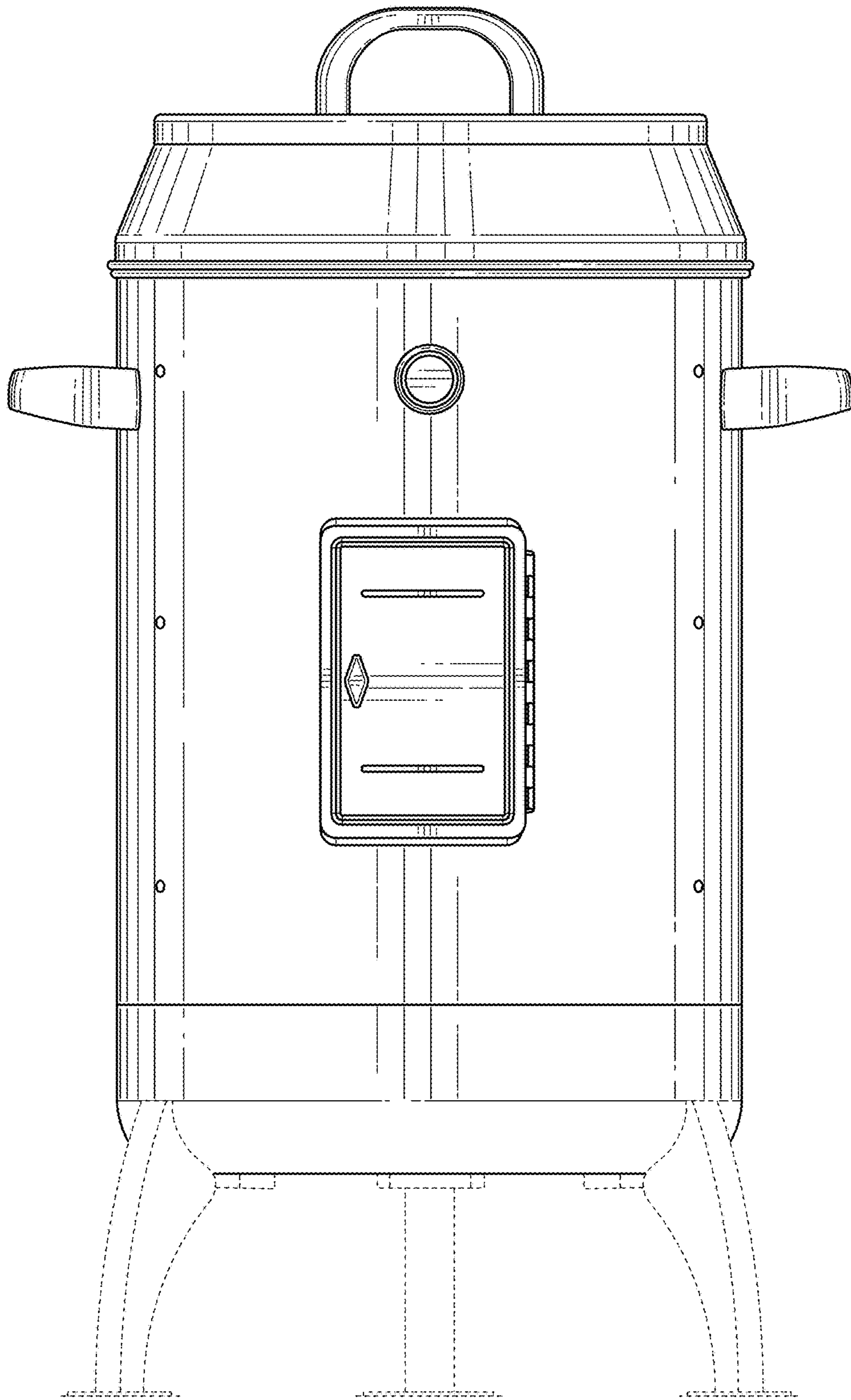


FIG. 3

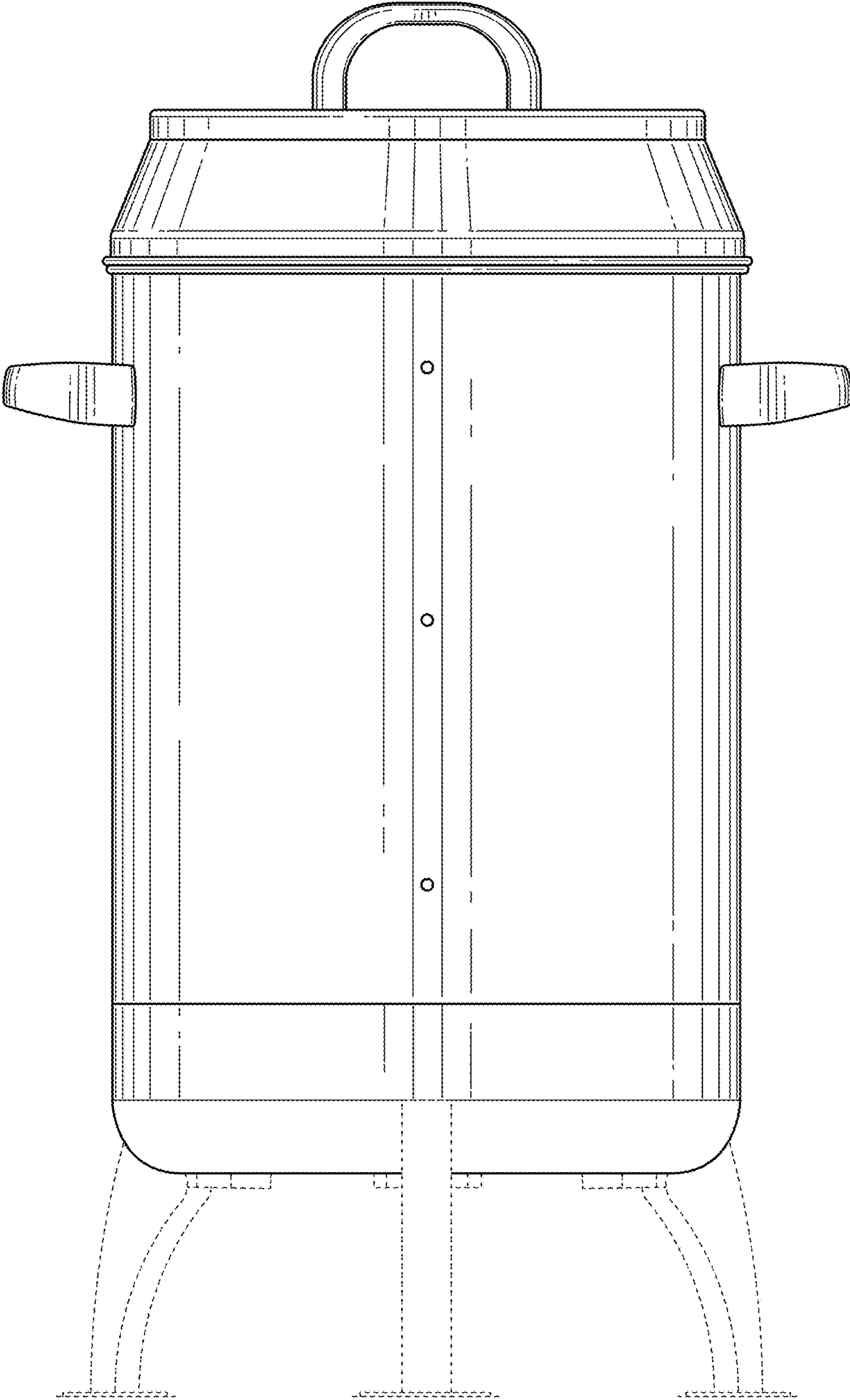


FIG. 4

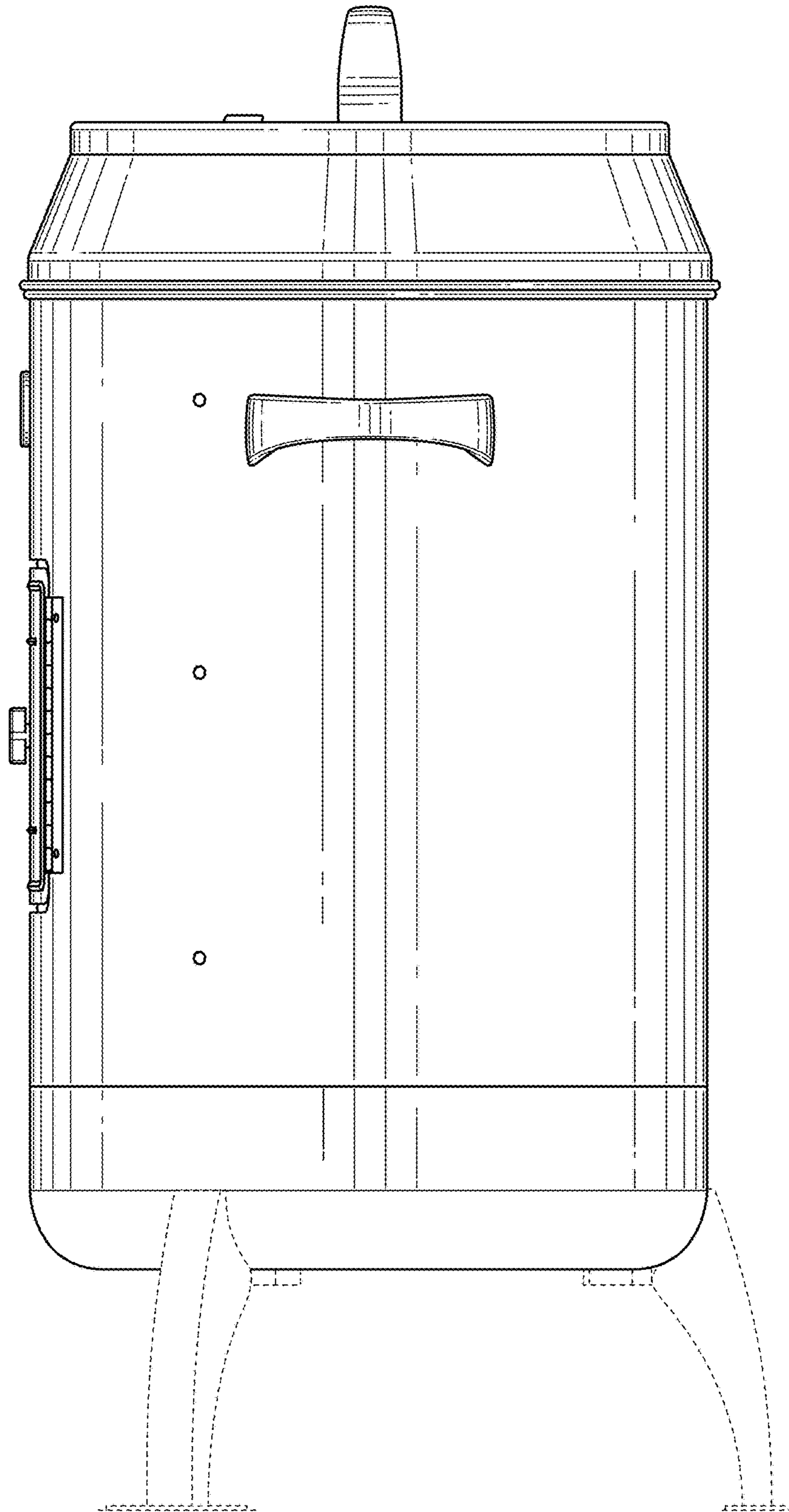


FIG. 5

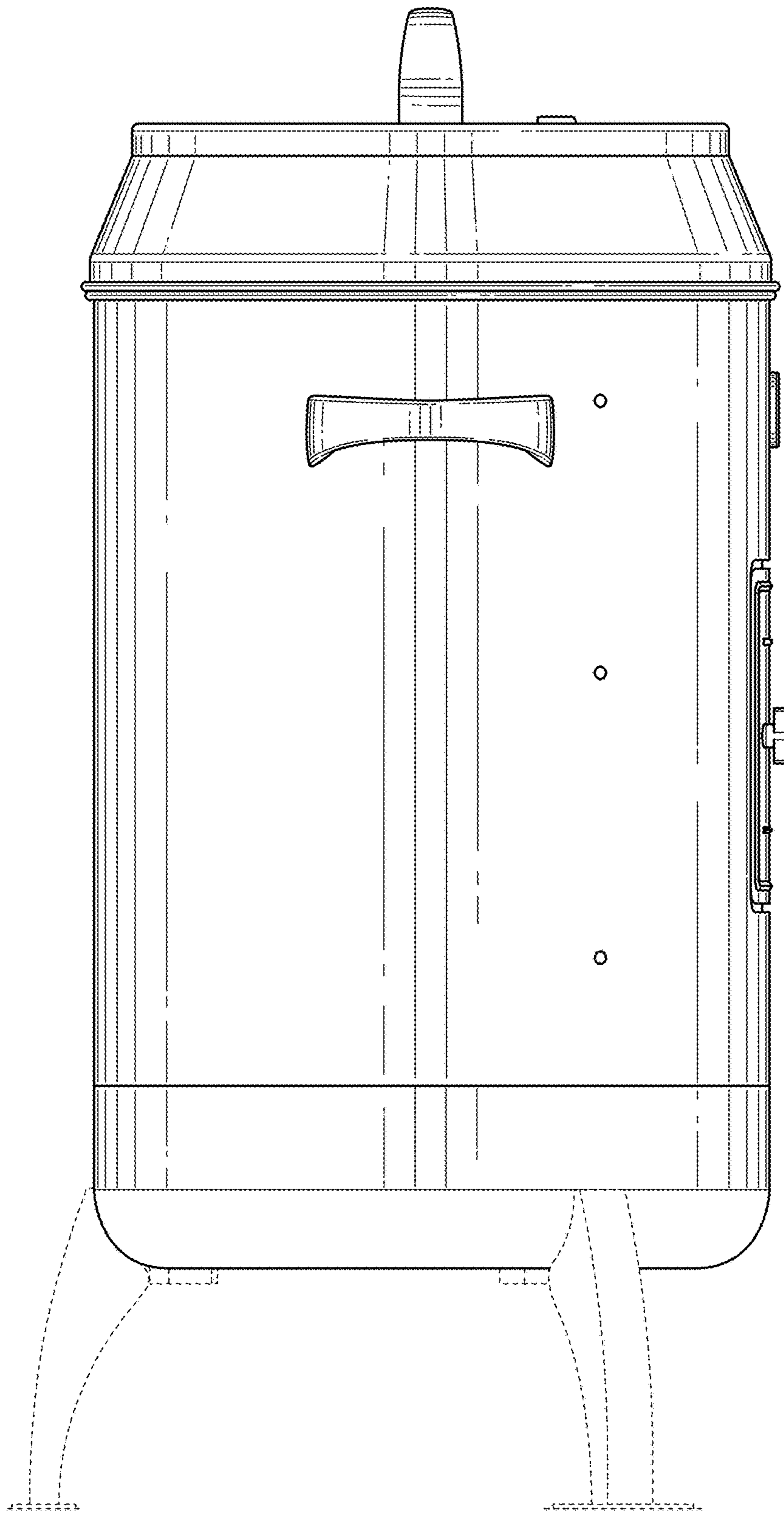


FIG. 6

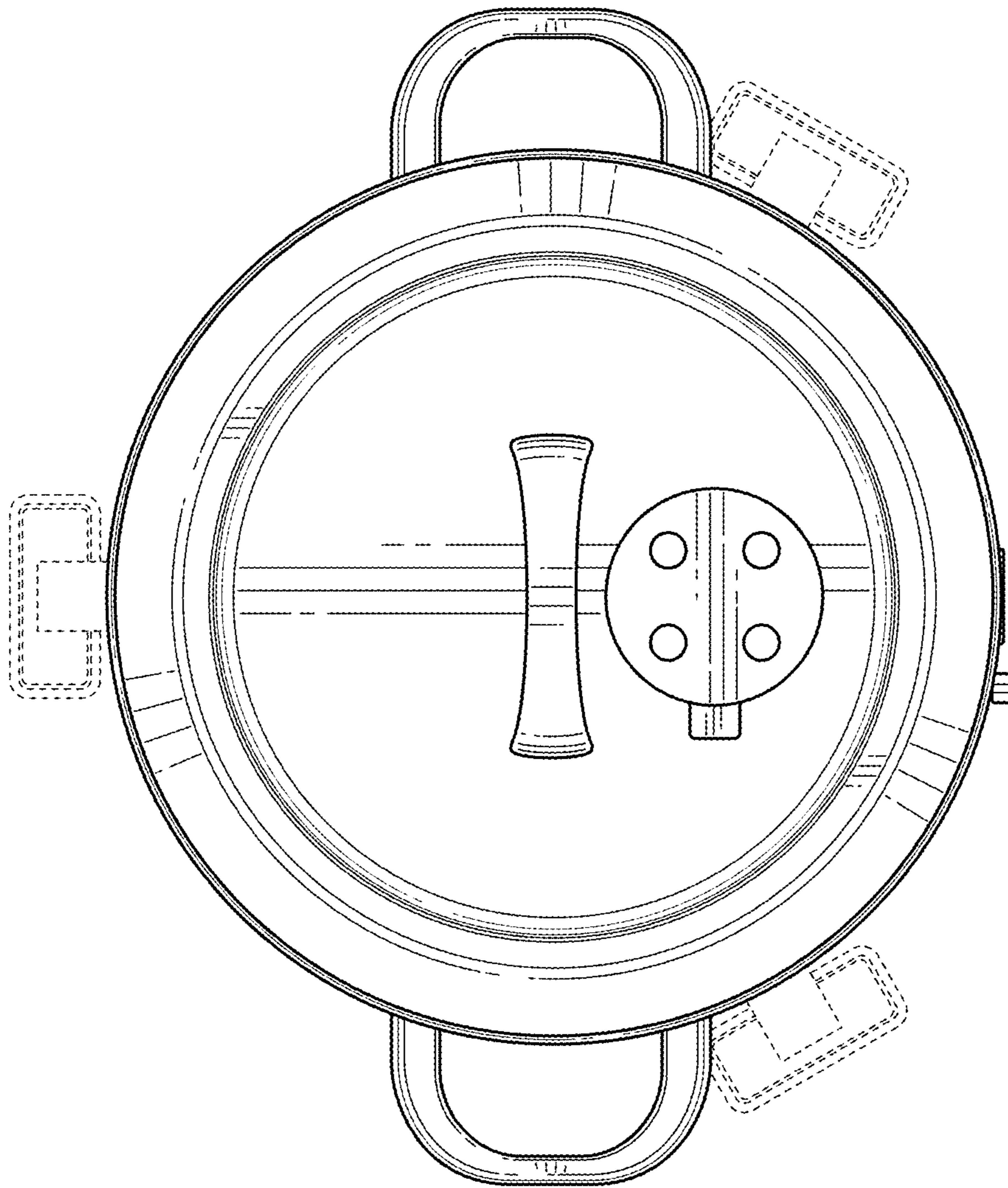


FIG. 7



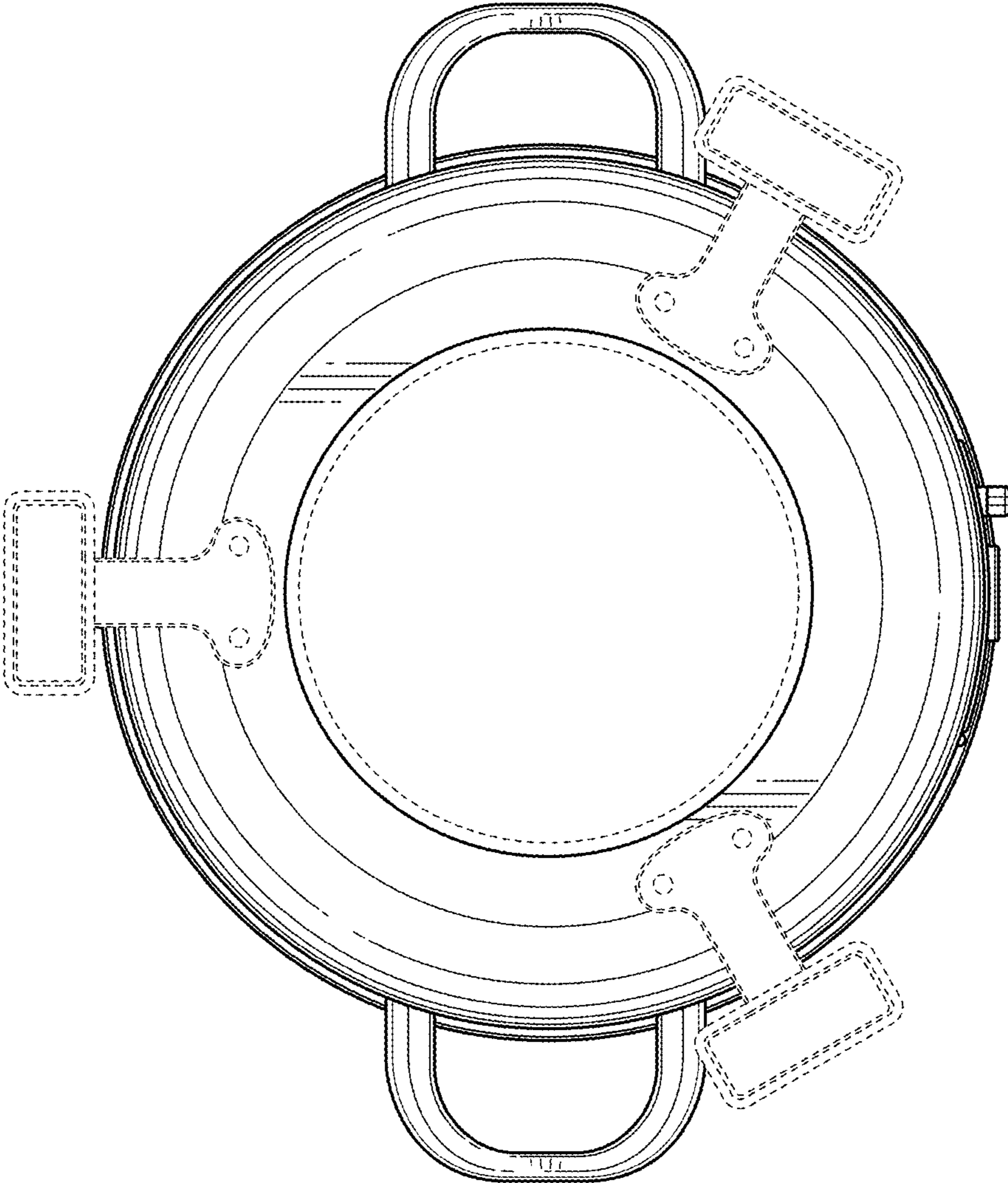


FIG. 8