



US00D820020S

(12) **United States Design Patent**  
**Oliphant et al.**

(10) **Patent No.:** **US D820,020 S**  
(45) **Date of Patent:** **\*\* Jun. 12, 2018**

(54) **BACK FOR A FOLDING CHAIR**

*Primary Examiner* — Mimoso De

(71) Applicant: **Denovo Brands, LLC**, Bentonville, AR (US)

(74) *Attorney, Agent, or Firm* — Michael L. Leetzow, P.A.

(72) Inventors: **John M. Oliphant**, Bentonville, AR (US); **Stephen C. Perry**, Bentonville, AR (US)

(57) **CLAIM**

(73) Assignee: **Denovo Brands, LLC**, Bentonville, AR (US)

The ornamental design for a back for a folding chair, as shown and described.

(\*\*) Term: **15 Years**

(21) Appl. No.: **29/626,607**

**DESCRIPTION**

(22) Filed: **Nov. 17, 2017**

**Related U.S. Application Data**

(62) Division of application No. 29/553,689, filed on Feb. 3, 2016, now Pat. No. Des. 805,337.

(51) **LOC (11) Cl.** ..... **06-01**

(52) **U.S. Cl.**  
USPC ..... **D6/716.4; D6/368**

(58) **Field of Classification Search**  
USPC ..... D6/334-336, 368, 373, 374, 379, 380,  
D6/716, 716.1, 716.2, 716.3, 716.4  
CPC .. A47C 4/03; A47C 4/28; A47C 4/283; A47C  
4/286; A47C 4/30; A47C 4/38; A47C  
4/40; A47C 4/42; A47C 4/48; A47C 5/06;  
A47C 5/10  
See application file for complete search history.

FIG. 1 is a left side perspective view of a back for a folding chair showing our new design;

FIG. 2 is a front view of the back for a folding chair shown in FIG. 1;

FIG. 3 is a rear view of the back for a folding chair shown in FIG. 1;

FIG. 4 is a right side view of the back for a folding chair shown in FIG. 1;

FIG. 5 is a left side view of the back for a folding chair shown in FIG. 1;

FIG. 6 is a top view of the back for a folding chair shown in FIG. 1; and,

FIG. 7 is a bottom view of the back for a folding chair shown in FIG. 1.

The broken line illustrations in the drawing figures of the chair frame and piping in FIGS. 1-7 are for illustrative purposes only and form no part of the claimed design.

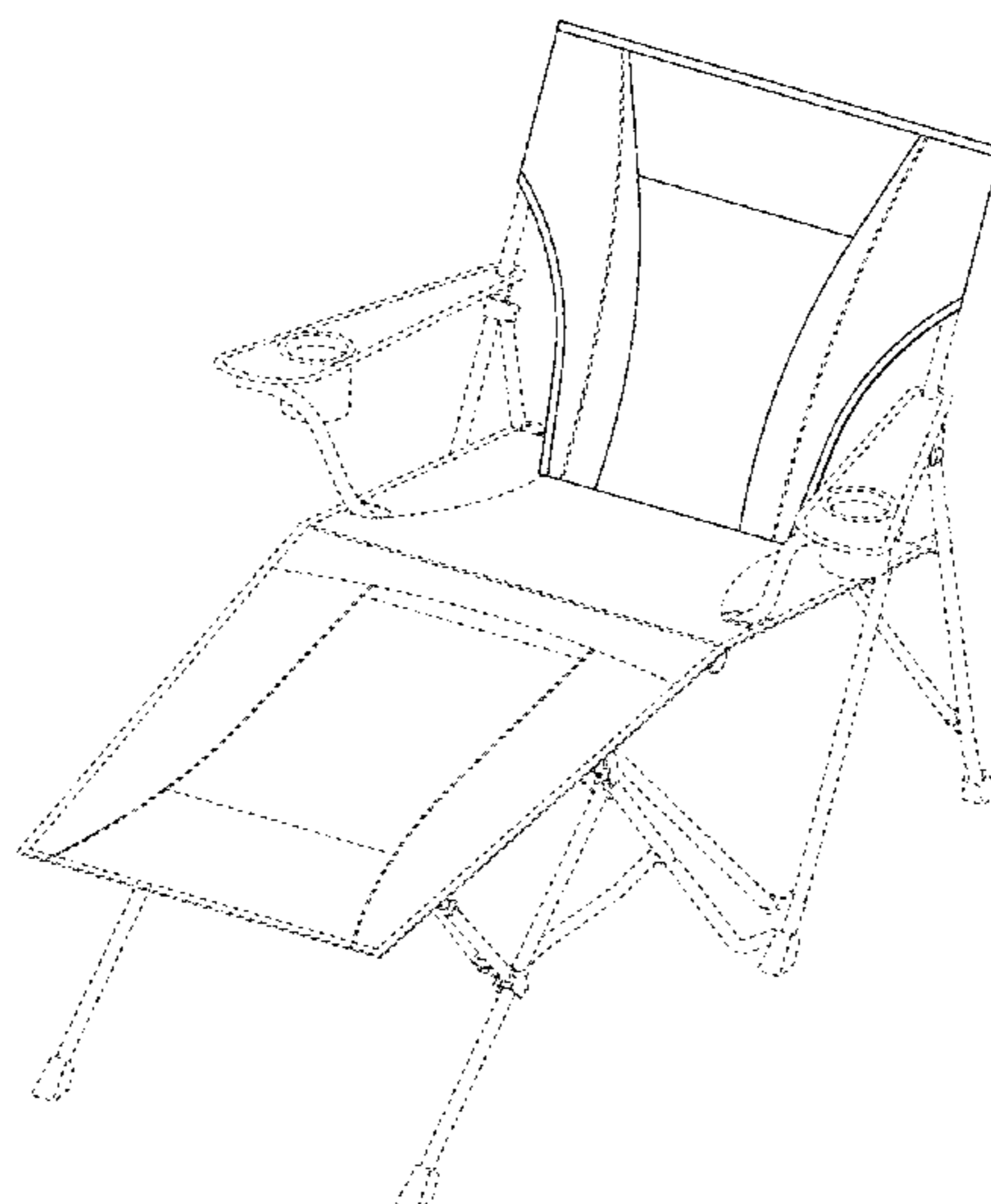
(56) **References Cited**

**U.S. PATENT DOCUMENTS**

- D593,759 S \* 6/2009 Oliphant ..... A47C 4/286  
D6/335
- D691,821 S \* 10/2013 Mercieca ..... D6/368
- D804,880 S \* 12/2017 Oliphant ..... D6/716.4
- D805,337 S \* 12/2017 Oliphant ..... D6/716.4

\* cited by examiner

**1 Claim, 6 Drawing Sheets**



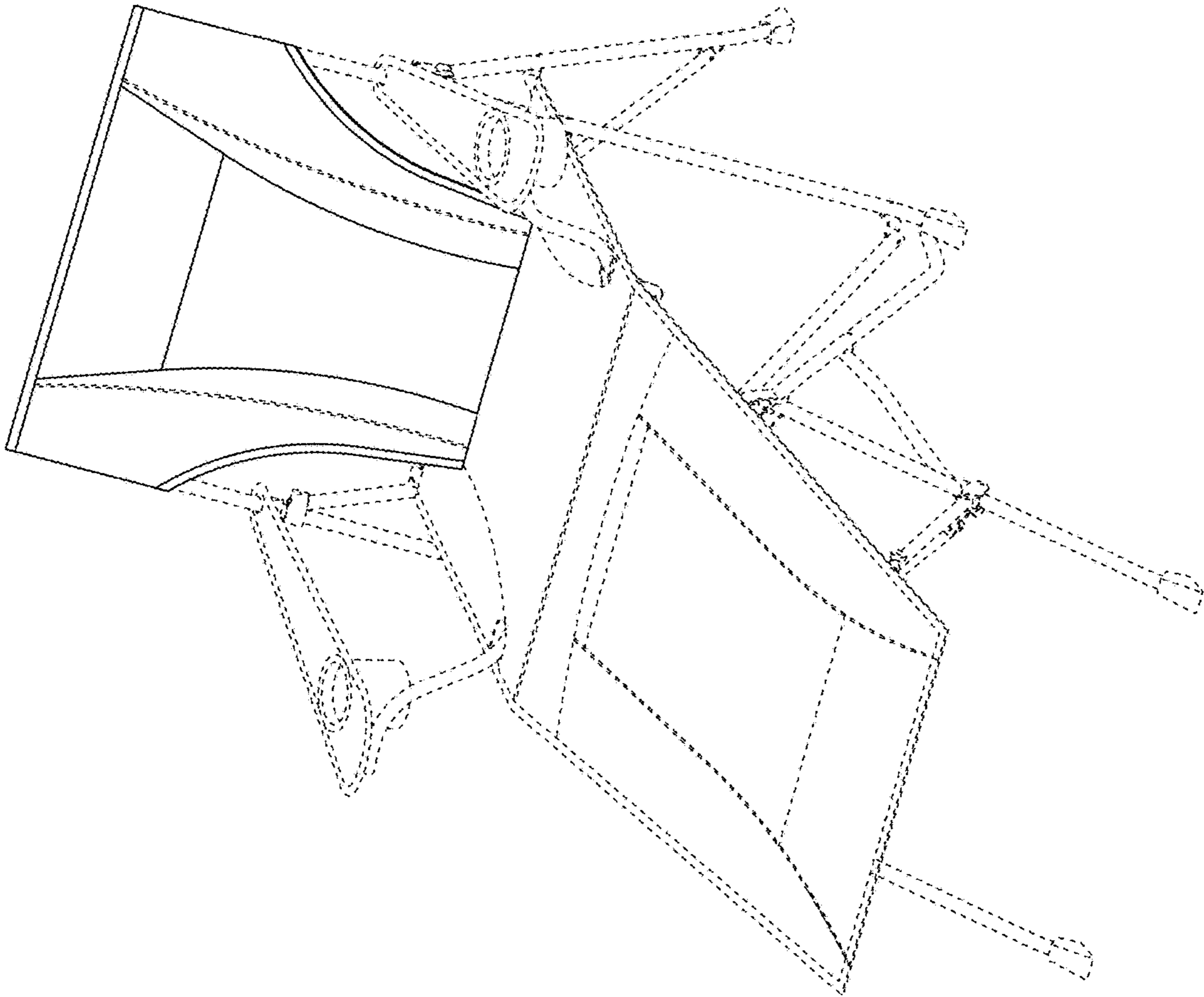
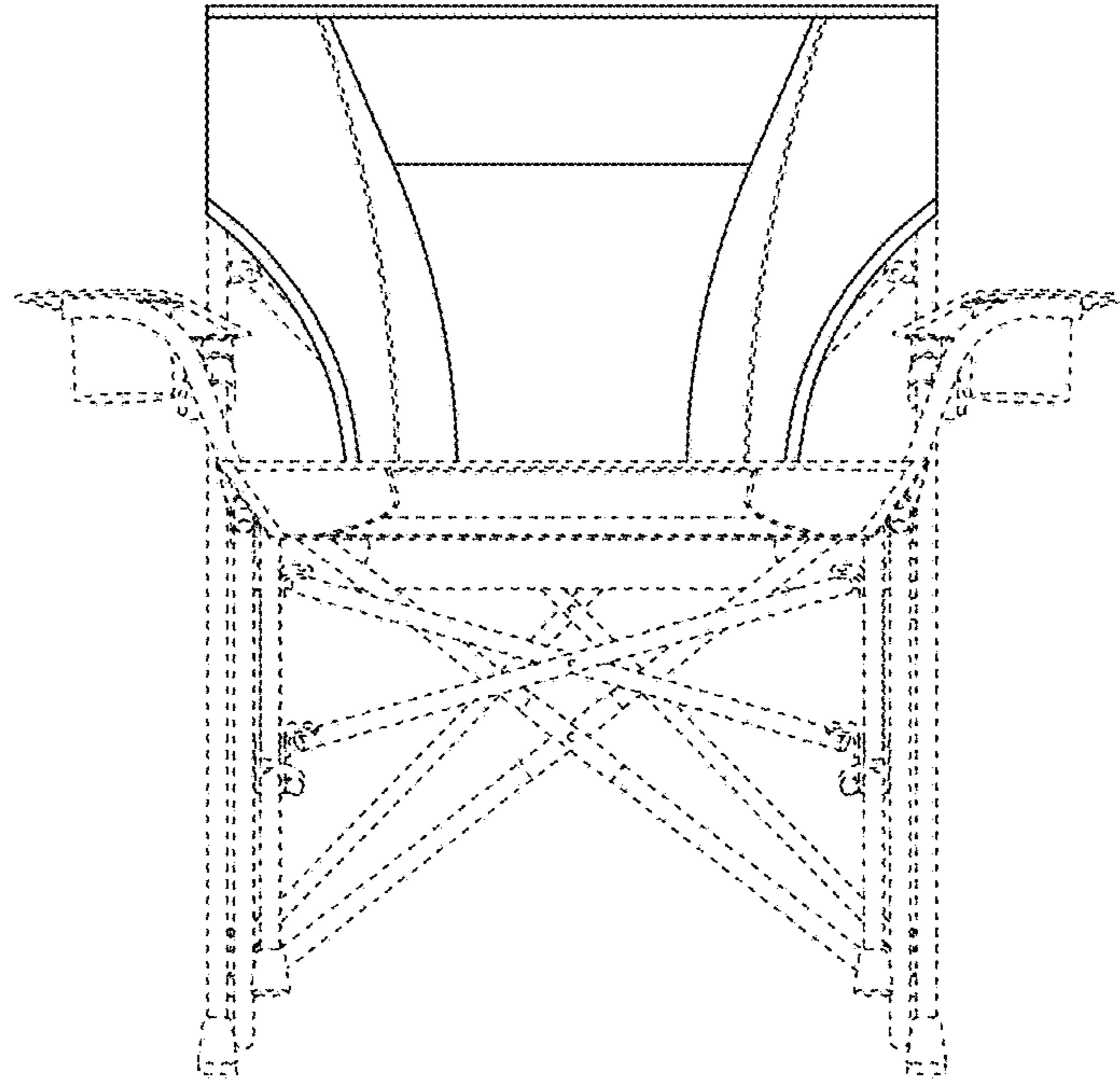
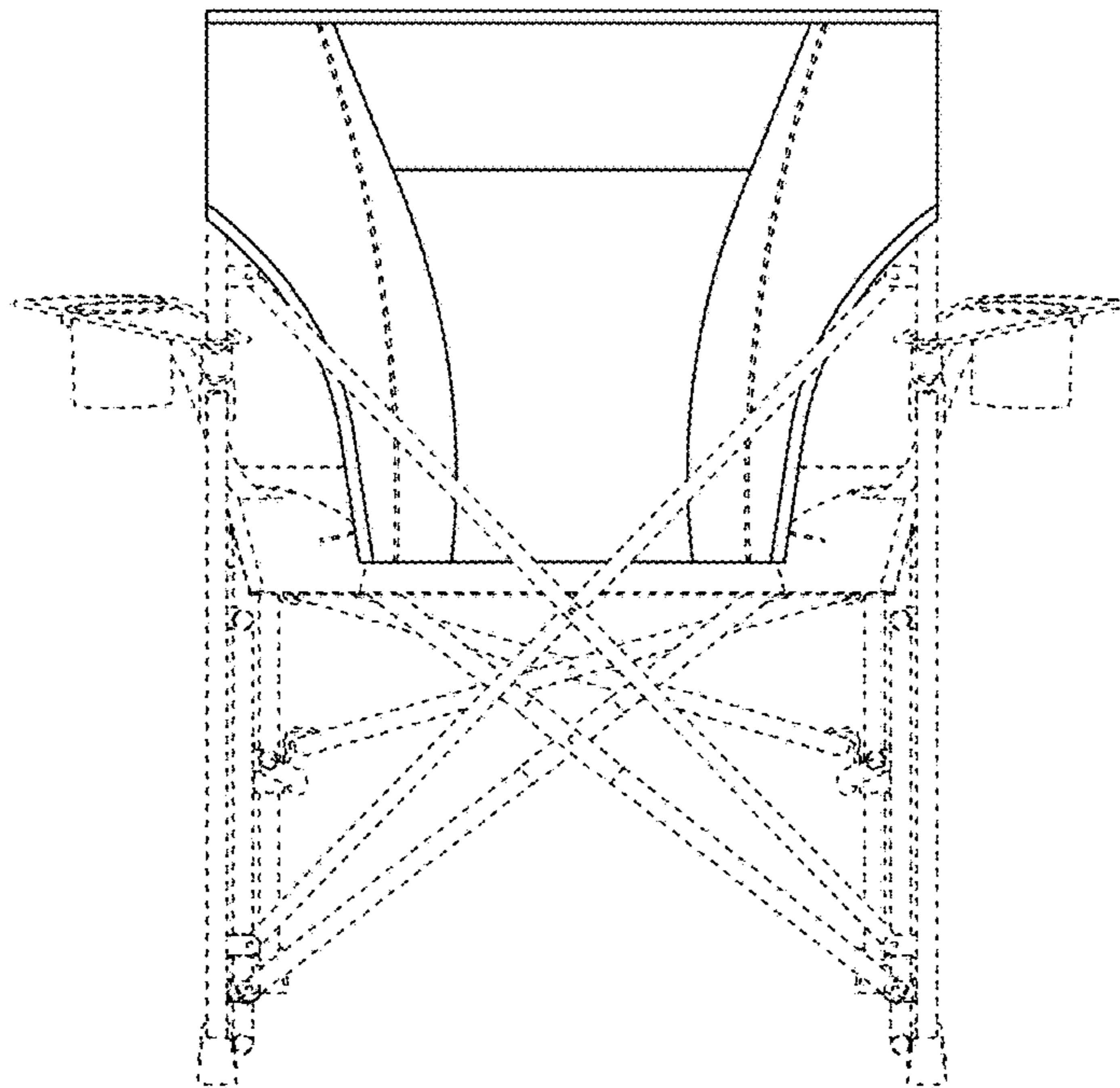


Fig. 1



**Fig. 2**



**Fig. 3**

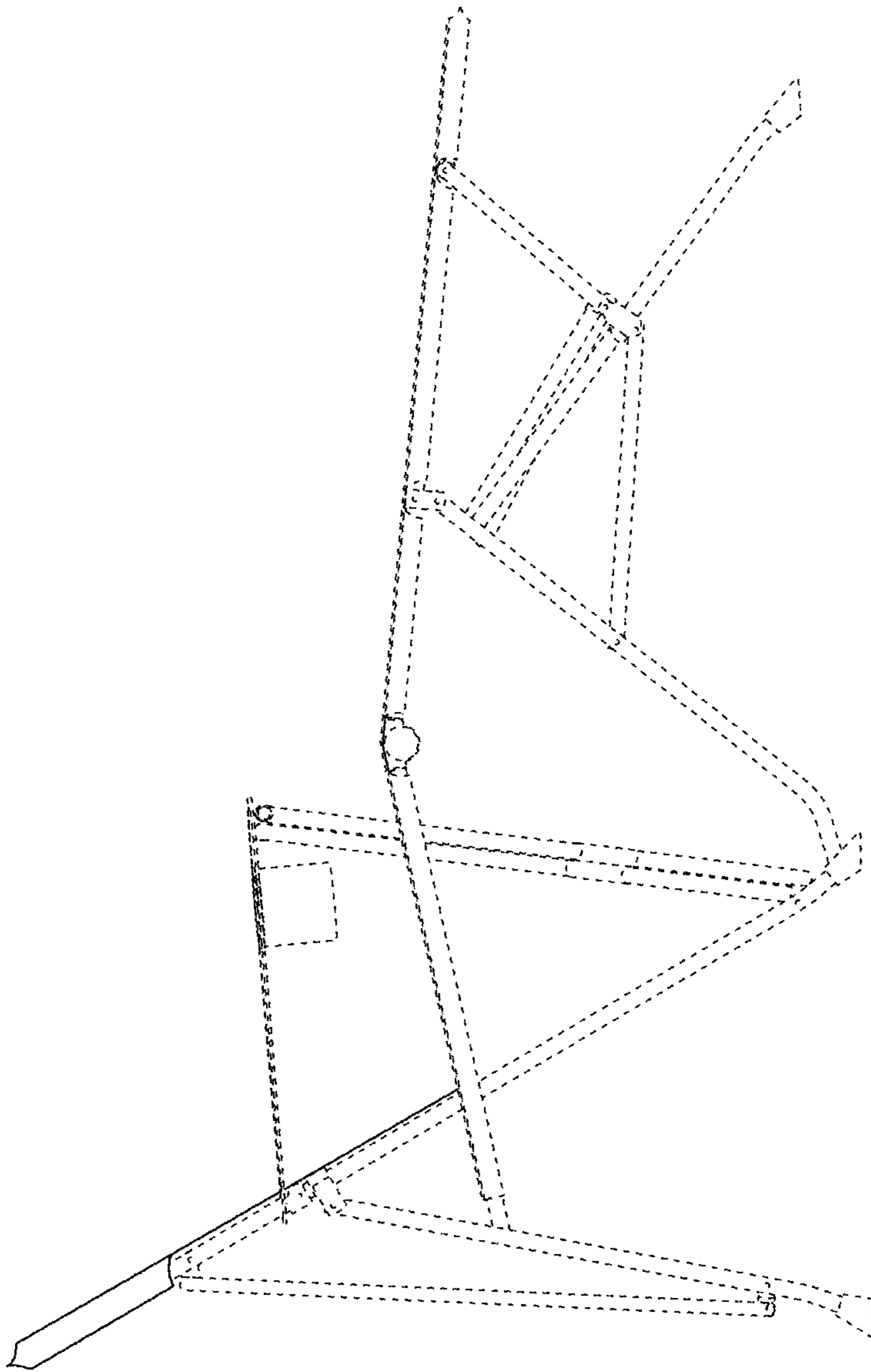


Fig. 4

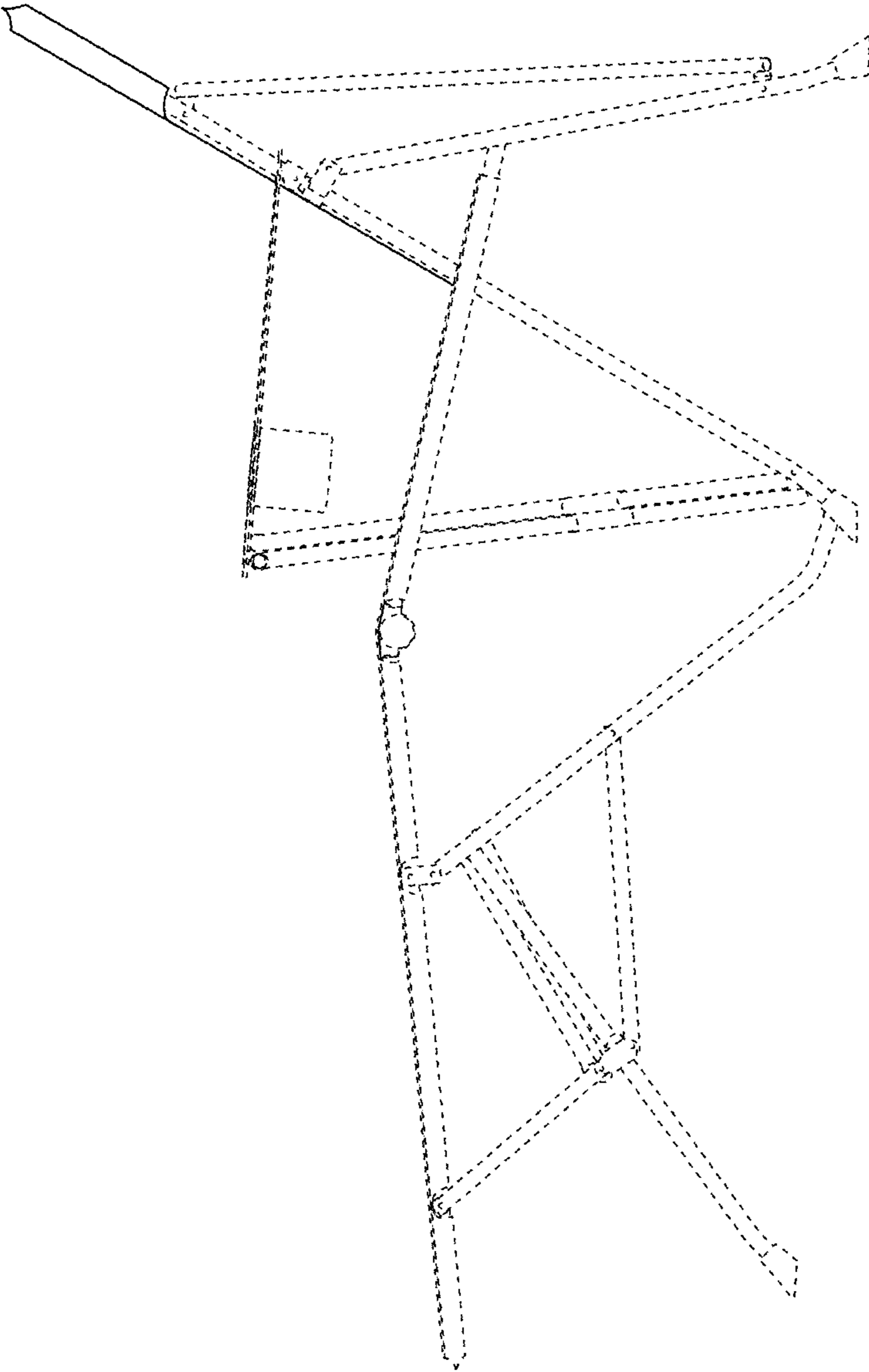
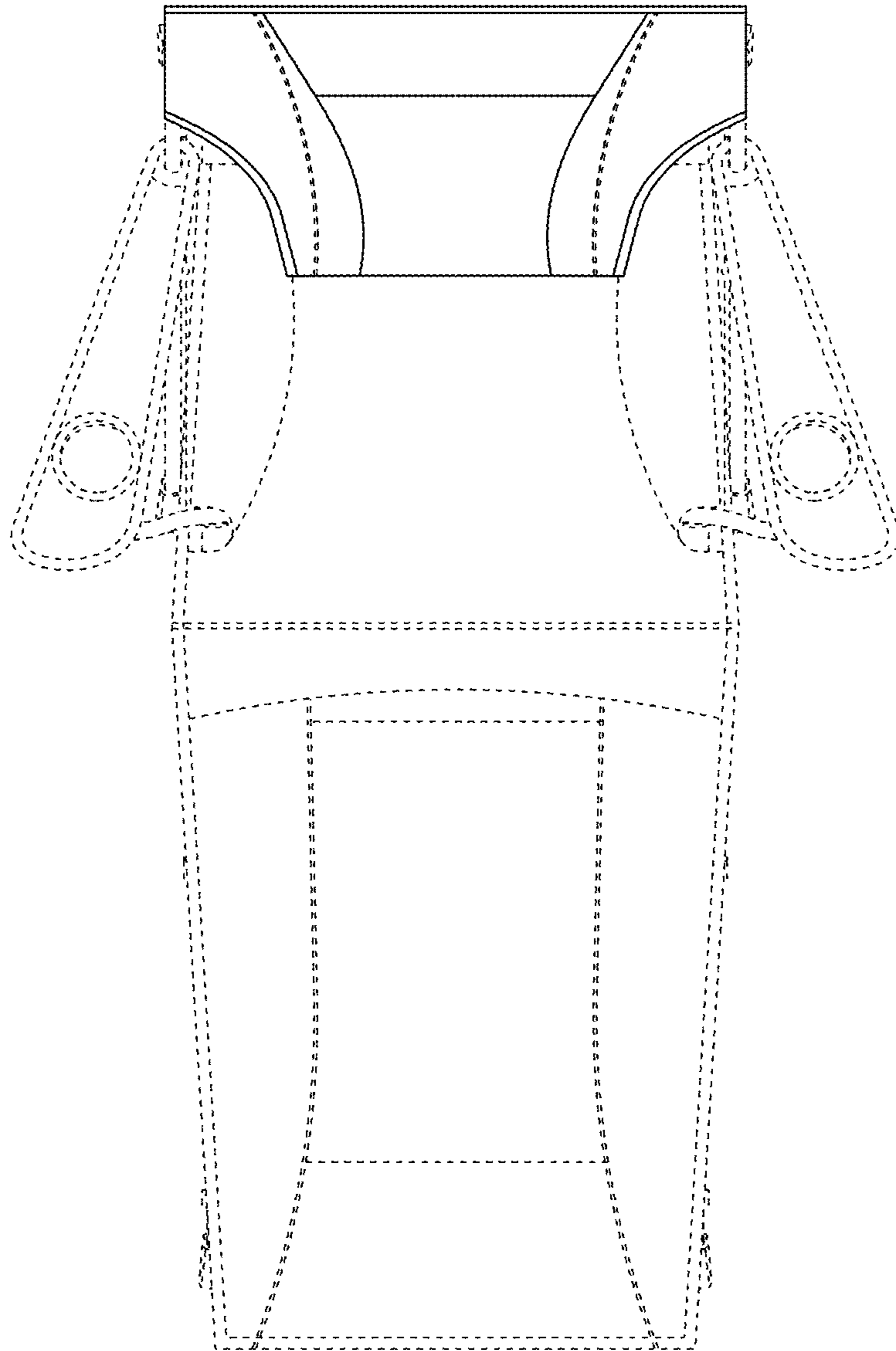
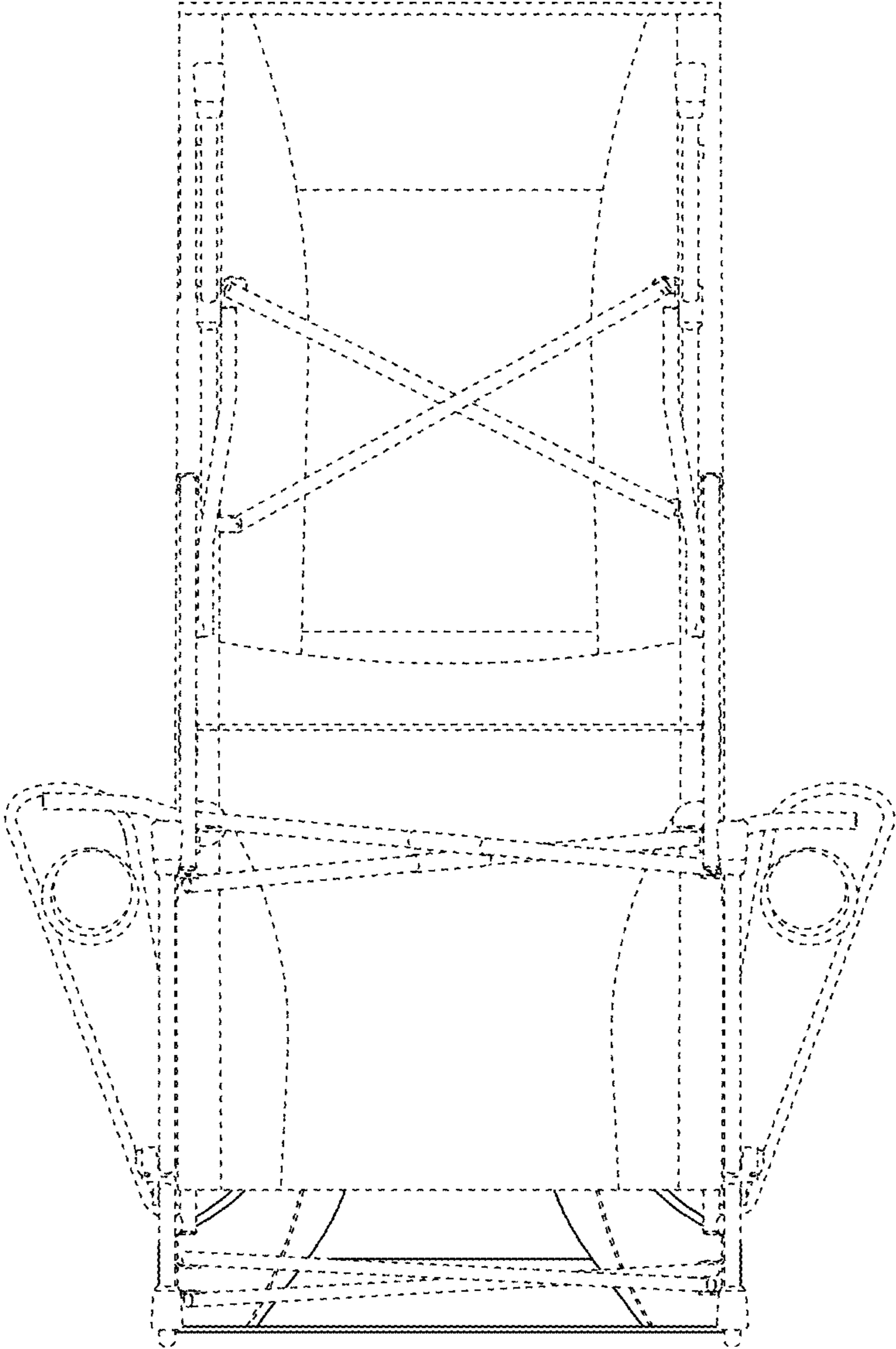


Fig. 5



**Fig. 6**





**Fig. 7**