



US00D820019S

(12) **United States Design Patent**
Velez et al.

(10) **Patent No.:** **US D820,019 S**
(45) **Date of Patent:** **** Jun. 12, 2018**

- (54) **SEAT**
- (71) Applicant: **LANDSCAPE FORMS, INC.**,
Kalamazoo, MI (US)
- (72) Inventors: **Efrain E. Velez**, Kalamazoo, MI (US);
Brian P. Revoir, Vicksburg, MI (US);
Kirt D. Martin, Ada, MI (US)
- (73) Assignee: **Landscape Forms, Inc.**, Kalamazoo,
MI (US)
- (**) Term: **15 Years**
- (21) Appl. No.: **29/602,298**
- (22) Filed: **Apr. 29, 2017**
- (51) **LOC (11) Cl.** **06-01**
- (52) **U.S. Cl.**
USPC **D6/716; D6/375; D6/376; D6/379**
- (58) **Field of Classification Search**
USPC **D6/334-336, 369, 371, 372, 373, 374,**
D6/375, 376, 716, 379, 716.1, 716.3,
D6/716.4
CPC **A47C 3/04; A47C 3/12; A47C 4/02; A47C**
4/03; A47C 5/04; A47C 5/06; A47C 5/12;
A47C 7/16
See application file for complete search history.

D191,704 S *	11/1961	Stauffer	D6/375
D192,800 S *	5/1962	Munson	D6/374
D213,683 S *	4/1969	Leistikow	D6/374
D234,064 S *	1/1975	Nods et al.	D6/379
D427,797 S *	7/2000	Tseng	D6/376
D591,966 S *	5/2009	Bouroullec	D6/375

OTHER PUBLICATIONS

Hoop Chairs, manufactured by Plain Air, printout available online at: <http://plainair.com/product/hoop-chairs/> on Apr. 21, 2017, 1 page.
 Radar Chair, manufactured by Salterini, designed by Maurizio Tempestini, printout available online at: https://www.1stdibs.com/furniture/seating/chairs/salterini-radar-mid-century-chairs/id-f_5482503/ on Apr. 21, 2017, 1 page.
 Acapulco Chair, manufactured by various manufacturers, printout available online at: <http://www.apartmenttherapy.com/quick-history-the-acapulco-chair-retrospect-170595> on Apr. 21, 2017, 2 pages.

(Continued)

Primary Examiner — Mimosa De
 (74) *Attorney, Agent, or Firm* — Heslin Rothenberg
 Farley & Mesiti, P.C.

(57) **CLAIM**
 The ornamental design for a seat, as shown and described.

DESCRIPTION

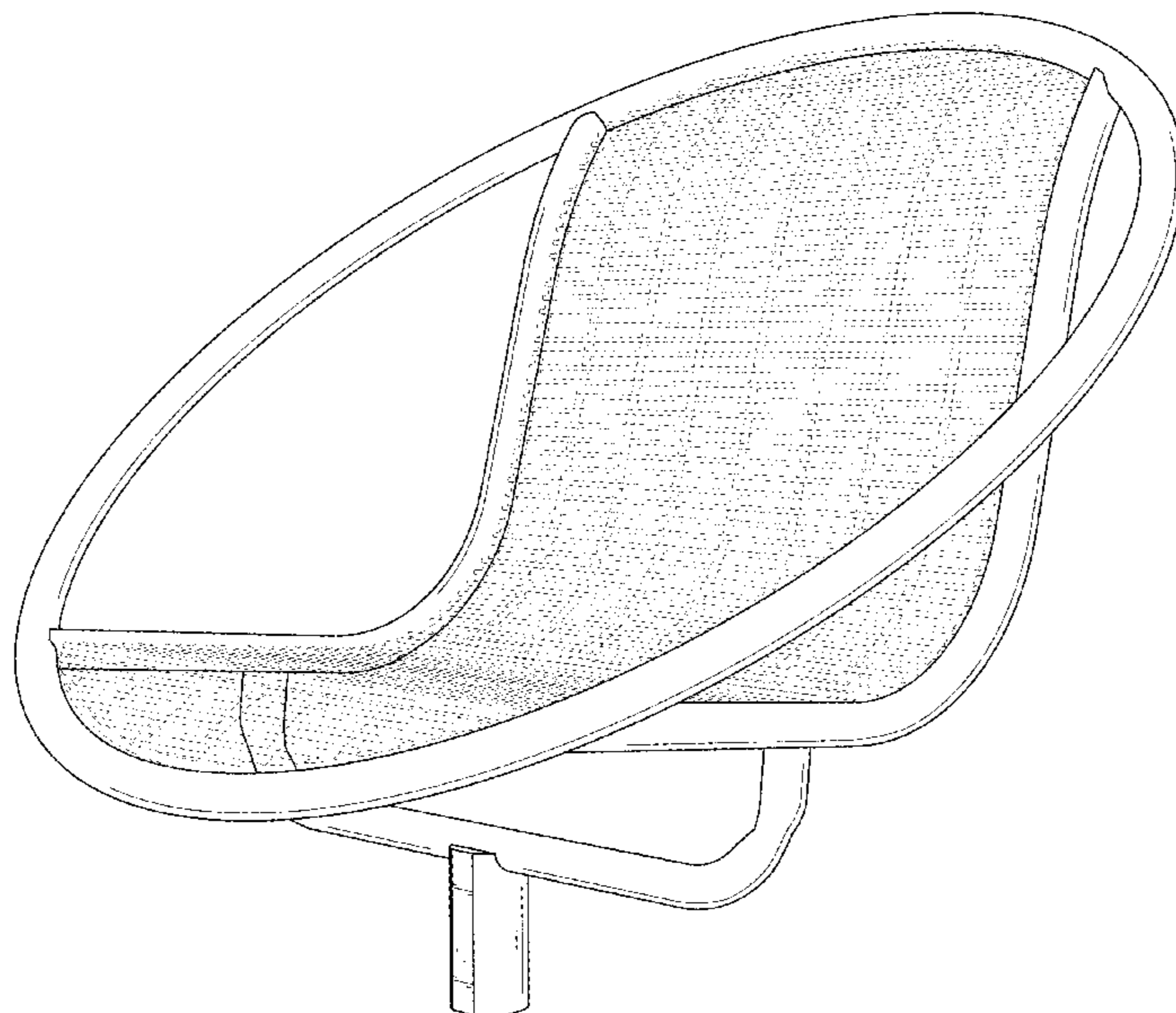
FIG. 1 is a perspective view of the seat of the present design; FIG. 2 is a front elevation view thereof; FIG. 3 is a rear elevation view thereof; FIG. 4 is a top plan view thereof; FIG. 5 is a bottom plan view thereof; and, FIG. 6 is a right side elevation view thereof, the left side elevation view being a mirror image thereof. The broken lines in the figures depict portions of the seat that form no part of the claimed design.

1 Claim, 6 Drawing Sheets

(56) **References Cited**

U.S. PATENT DOCUMENTS

D168,212 S *	11/1952	Cicchelli	D6/379
D168,843 S *	2/1953	Johnson	D6/369
D171,265 S *	1/1954	Phillips	D6/375
2,723,712 A *	11/1955	Yellen	A47C 3/12
			297/440.11
D183,743 S *	10/1958	Howell, Jr.	D6/334
D184,202 S *	12/1958	Yuen	D6/369



(56)

References Cited

OTHER PUBLICATIONS

Solair Chair, manufactured by Solair, designed by Fabio Fabiano and Michelange Panzini, printout available online at: <http://abode-newyork.com/shop/living/solair-chair/> on Apr. 21, 2017, 4 pages.

Clamshell Hoop Chair, manufactured by Salterini, printout available online at: <https://marketplace.apartmenttherapy.com/posts/154403-salterini-clamshell-hoop-chairs-pair> on Apr. 21, 2017, 2 pages.

Full Moon Rocker Orbit Collection, manufactured by Twin Dogs Co., designed by Michelle Gratacos-Arill, printout available online at: <https://angulo0.com/product/full-moon-rocking-chair/?lang=en> on Apr. 21, 2017, 2 pages.

Cicchelli Chair, manufactured by reilly-wolff, designed by Joseph Carl Cicchelli, printout available online at: <https://www.google.com/patents/USD168212> on Apr. 21, 2017, 1 page.

* cited by examiner

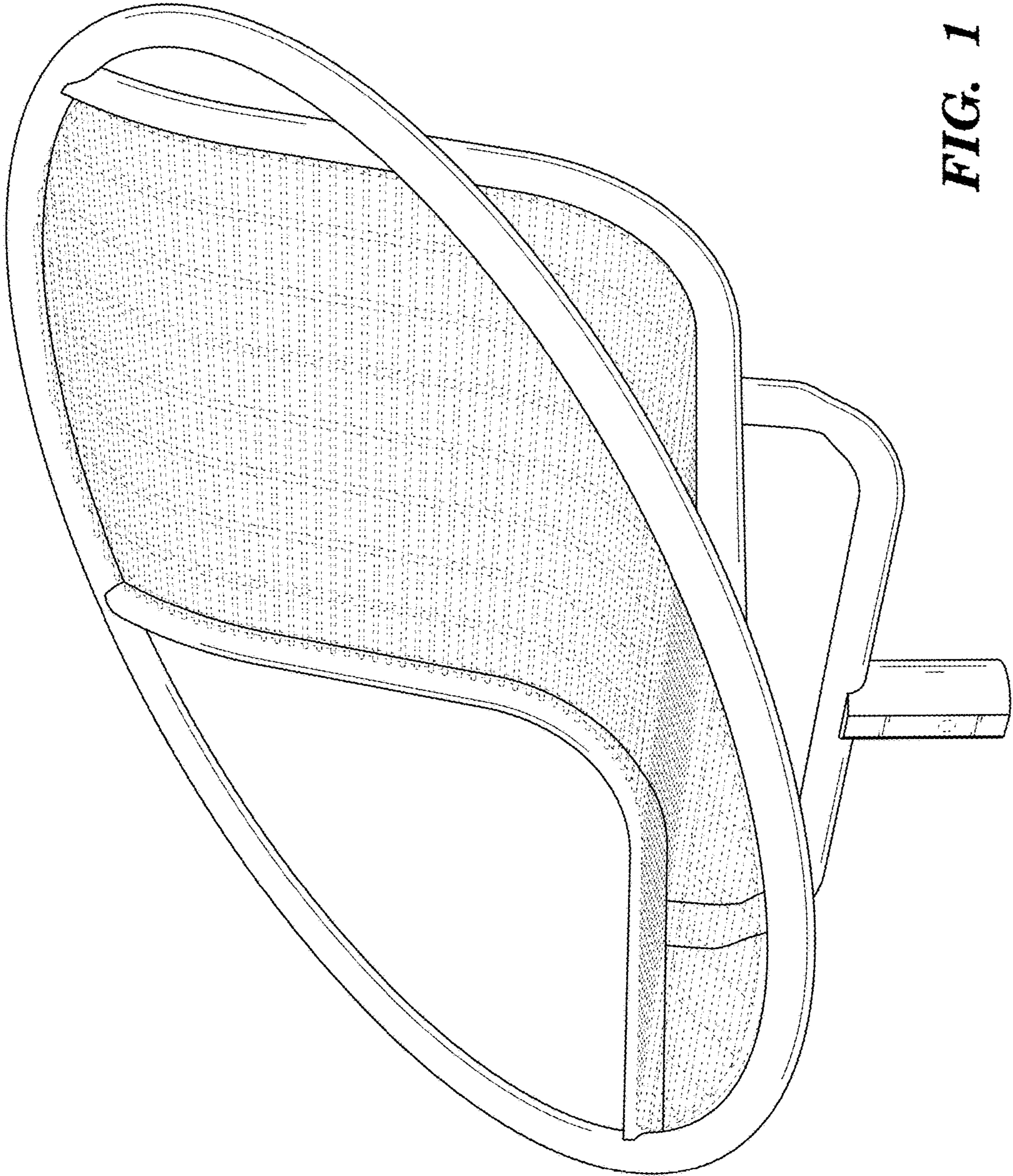


FIG. 1

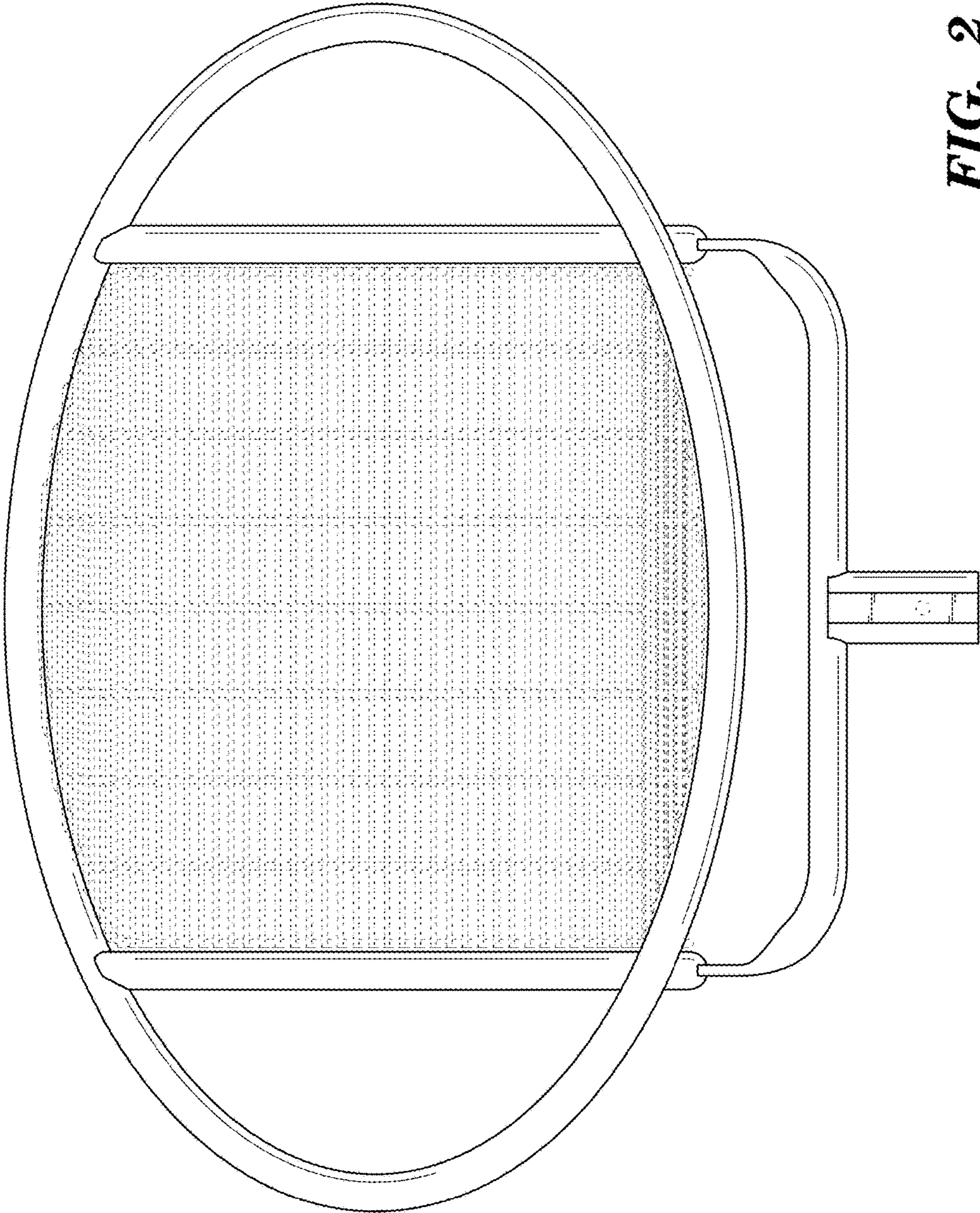


FIG. 2

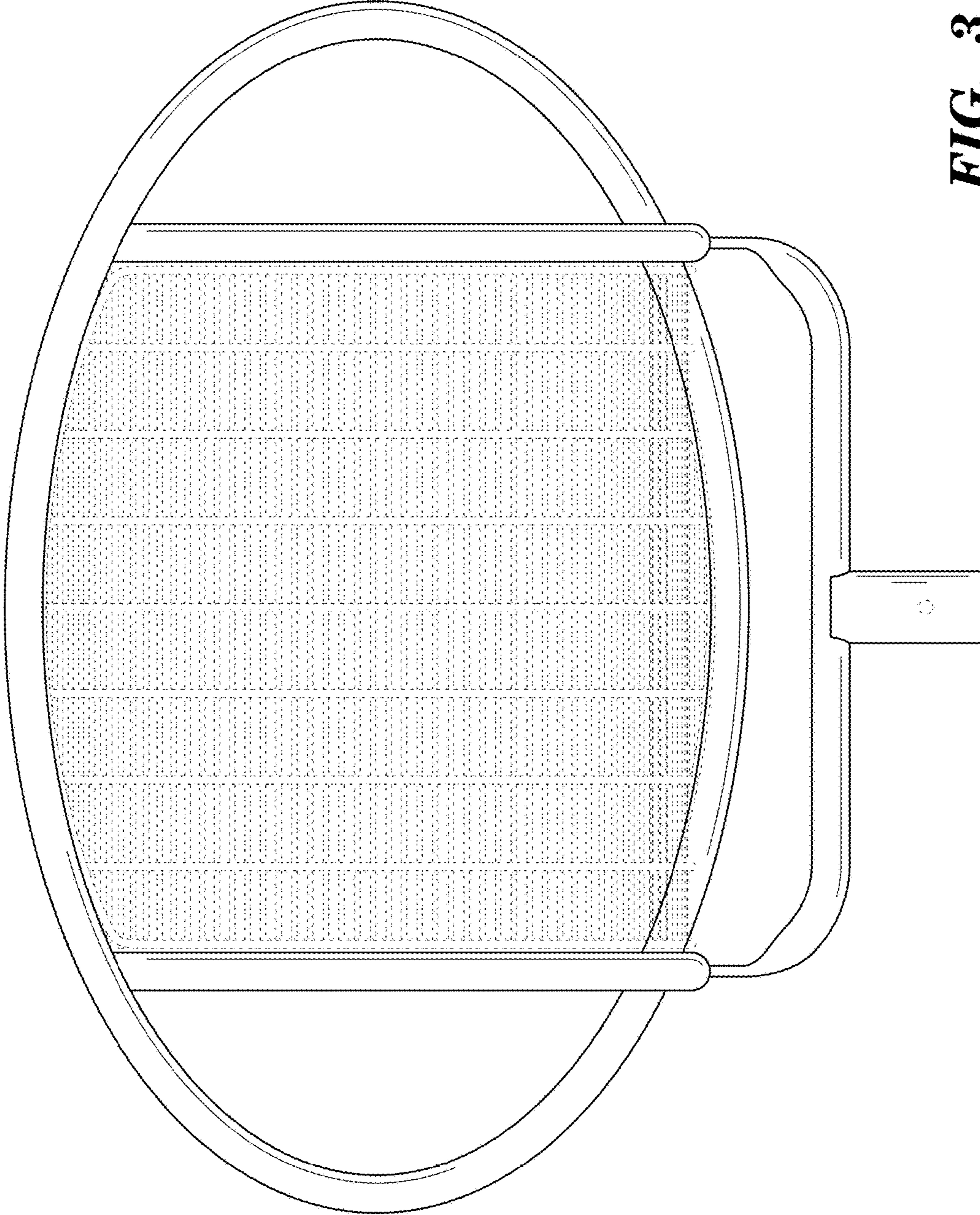


FIG. 3

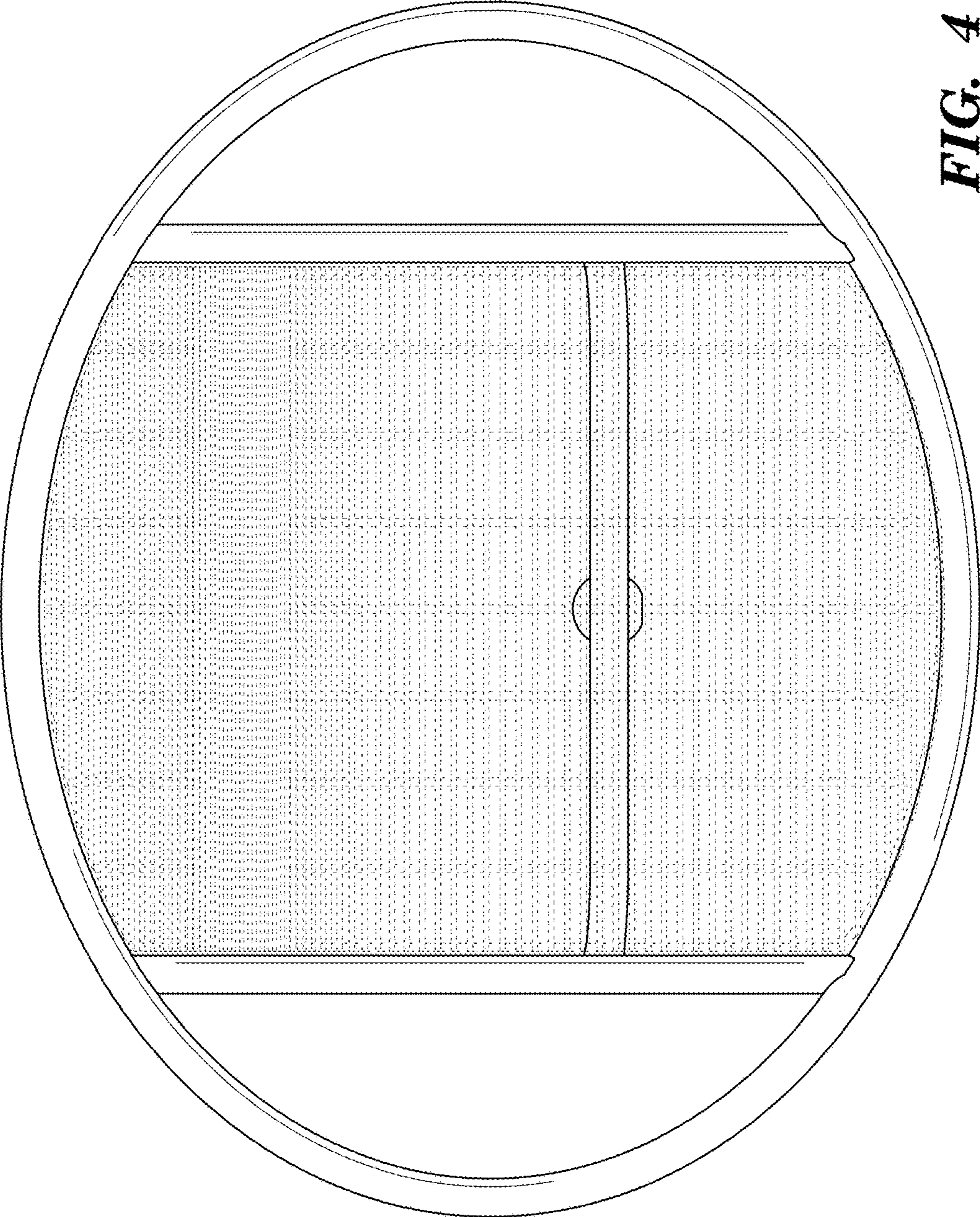


FIG. 4

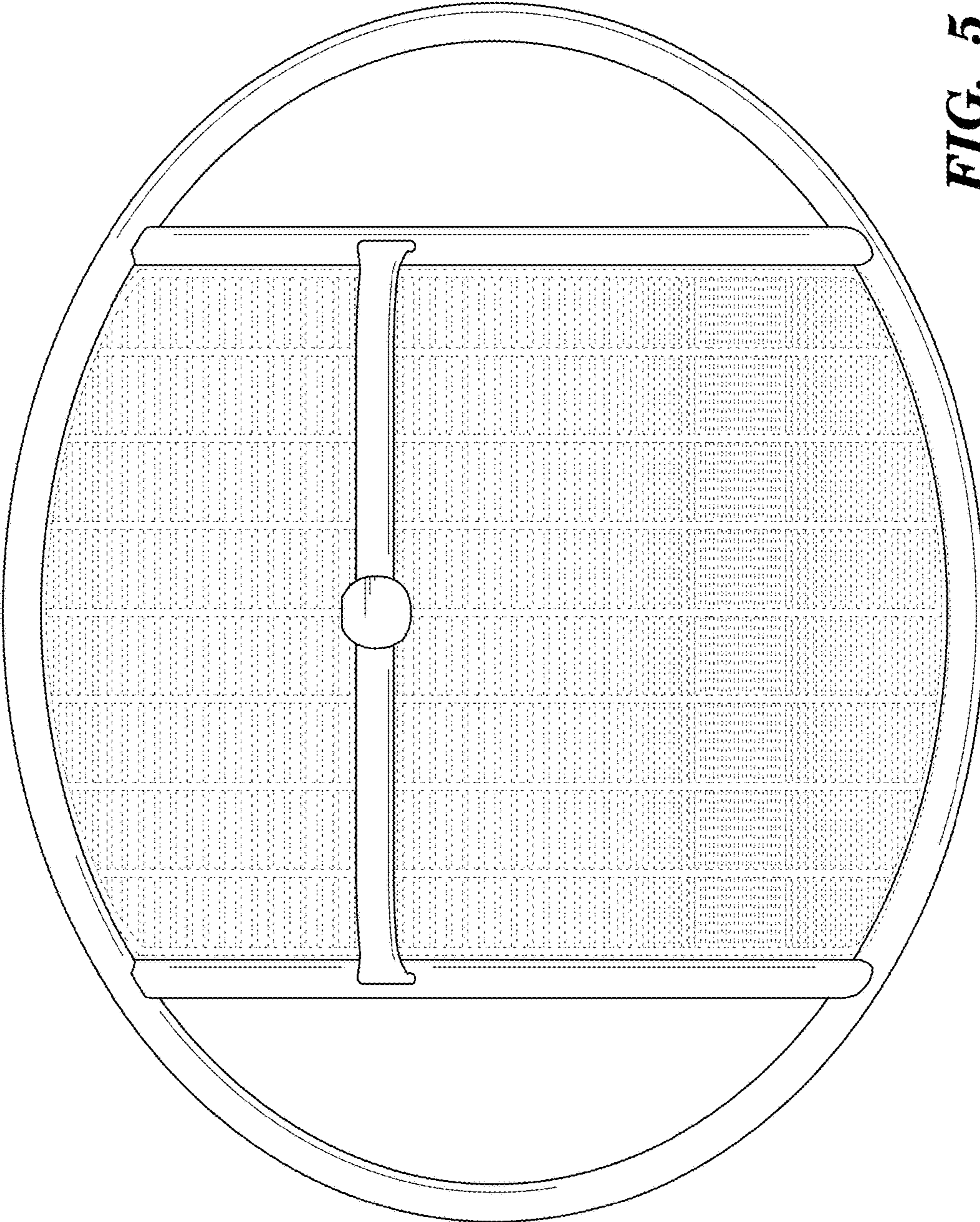


FIG. 5

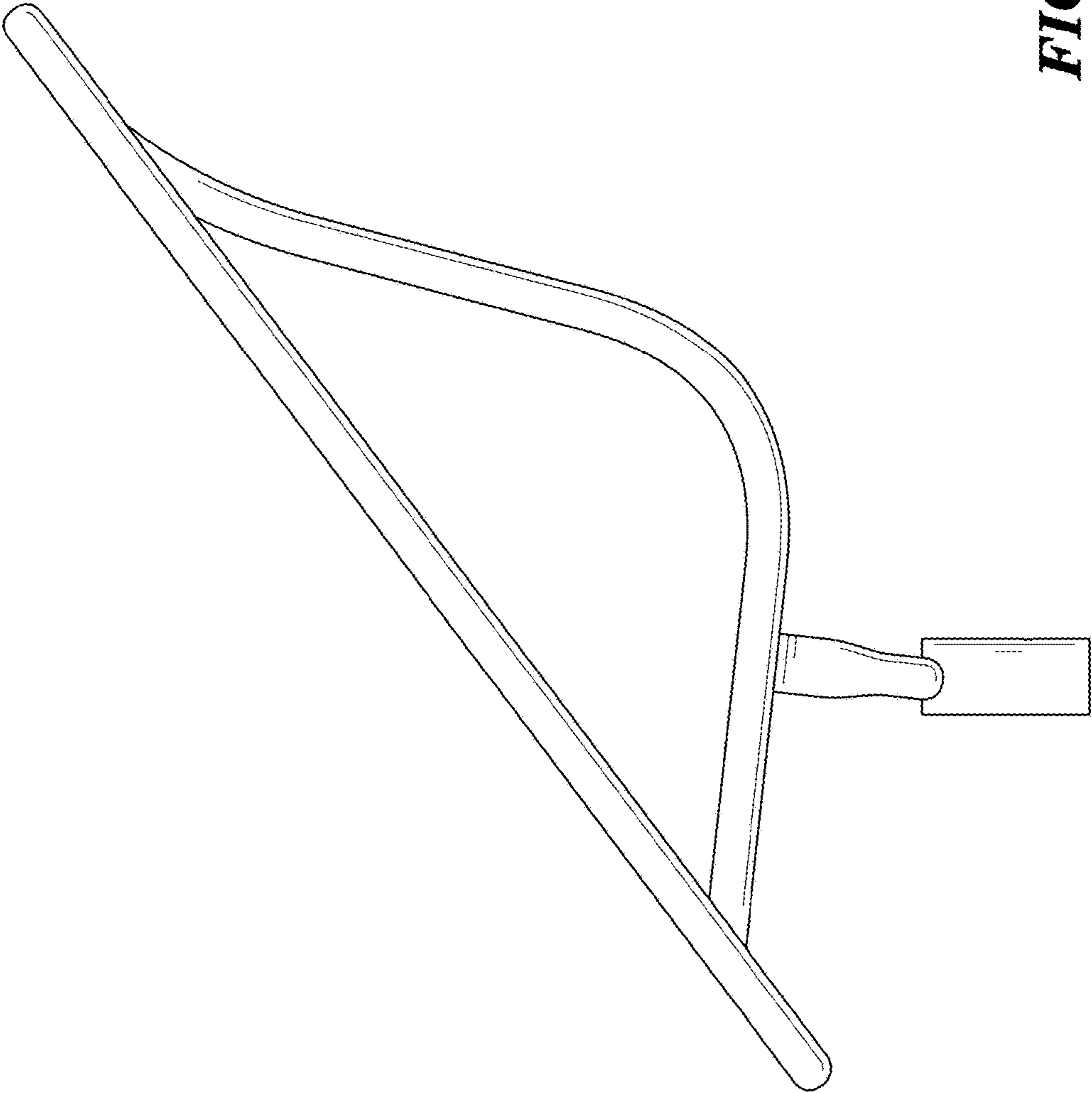


FIG. 6