



US00D820017S

(12) **United States Design Patent** (10) **Patent No.:** **US D820,017 S**  
**Su** (45) **Date of Patent:** **\*\* Jun. 12, 2018**

(54) **BASE OF ROCKING CHAIR**

(71) Applicant: **Shu O Su**, Tainan (TW)

(72) Inventor: **Shu O Su**, Tainan (TW)

(\*\*) Term: **15 Years**

(21) Appl. No.: **29/608,453**

(22) Filed: **Jun. 21, 2017**

(51) **LOC (11) Cl.** ..... **06-01**

(52) **U.S. Cl.**  
USPC ..... **D6/709.22**

(58) **Field of Classification Search**  
USPC ..... D6/344-349, 709, 709.22, 709.2, 716,  
D6/708, 708.2, 716.8, 378, 355, 368, 352  
CPC ..... A47D 13/102; A47C 3/02; A47C 3/029;  
A47C 4/28  
See application file for complete search history.

(56) **References Cited**

**U.S. PATENT DOCUMENTS**

D185,771 S *	7/1959	Mills	.....	D21/412
D283,856 S *	5/1986	Elmaleh	.....	D6/349
7,478,878 B2 *	1/2009	Oettinger	.....	A47C 3/029 297/271.5
D653,864 S *	2/2012	Ou	.....	D6/348
D681,967 S *	5/2013	Schoolmeester	.....	D6/349
8,764,116 B2 *	7/2014	Weber	.....	A47C 3/029 297/423.43
8,998,319 B2 *	4/2015	Bahneman	.....	A47C 9/00 297/195.11
9,010,867 B2 *	4/2015	Martin	.....	A47C 3/029 297/271.5
D740,578 S *	10/2015	Chadwick	.....	A47C 3/029 D6/352
D745,287 S *	12/2015	Chadwick	.....	D6/352

D756,139 S *	5/2016	Chadwick	.....	D6/352
D801,714 S *	11/2017	Elmaleh	.....	D6/352
D809,310 S *	2/2018	Mathur	.....	D6/352
D809,840 S *	2/2018	Theesfeld	.....	D6/708.2
2013/0288866 A1 *	10/2013	Rainey	.....	A63B 26/003 482/146
2013/0316886 A1 *	11/2013	Lynch	.....	A63B 26/003 482/146
2015/0351549 A1 *	12/2015	Chadwick	.....	A47C 3/029 297/311

\* cited by examiner

*Primary Examiner* — Deanna L Pratt

(74) *Attorney, Agent, or Firm* — Raymond Y. Chan;  
David and Raymond Patent Firm

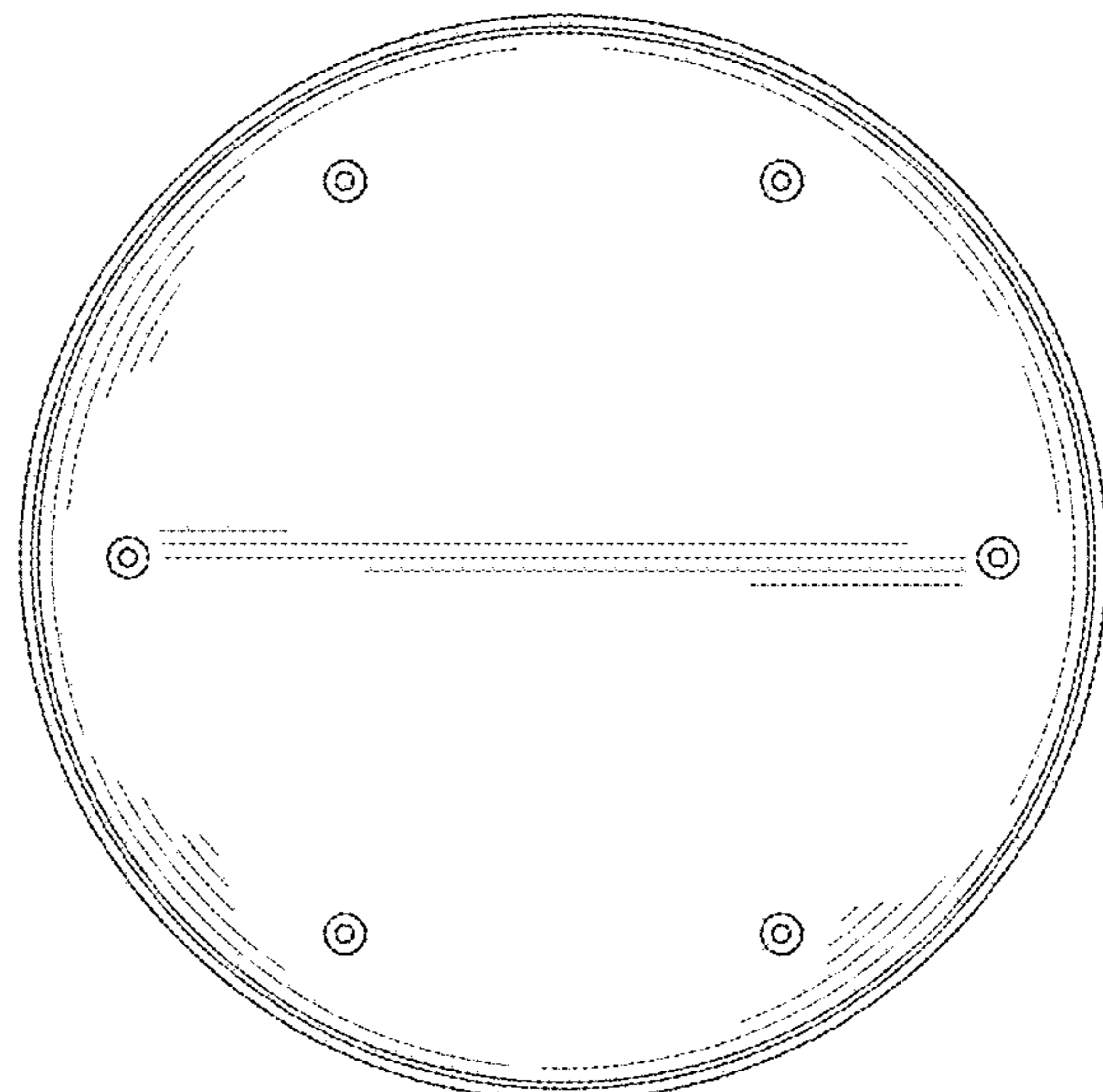
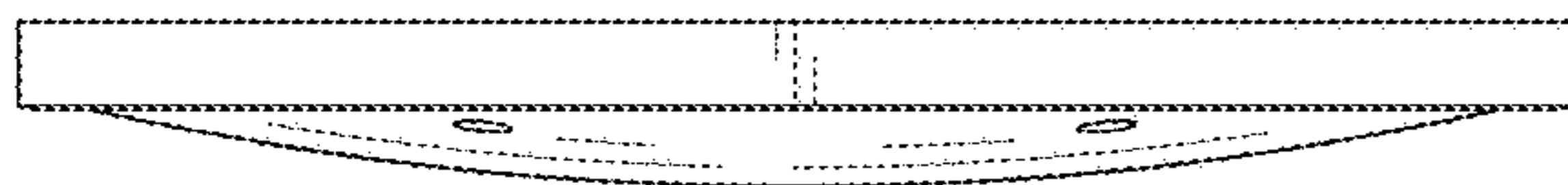
(57) **CLAIM**

The ornamental design for a base of rocking chair, as shown and described.

**DESCRIPTION**

FIG. 1 is a perspective view of base of rocking chair showing my new design;  
 FIG. 2 is a front view thereof;  
 FIG. 3 is a rear view thereof;  
 FIG. 4 is a left end view thereof;  
 FIG. 5 is a right end view thereof;  
 FIG. 6 is a top view thereof;  
 FIG. 7 is a bottom view thereof;  
 FIG. 8 is a sectional view of the A-A' section of the FIG. 6 thereof;  
 FIG. 9 is another perspective view thereof; and,  
 FIG. 10 is sectional view of the A-A' section of the FIG. 6 thereof, illustrating the base coupled with a rocking chair. The broken line showing of the rocking chair in FIG. 7 illustrates the environment of the claimed design and forms no part thereof.

**1 Claim, 8 Drawing Sheets**



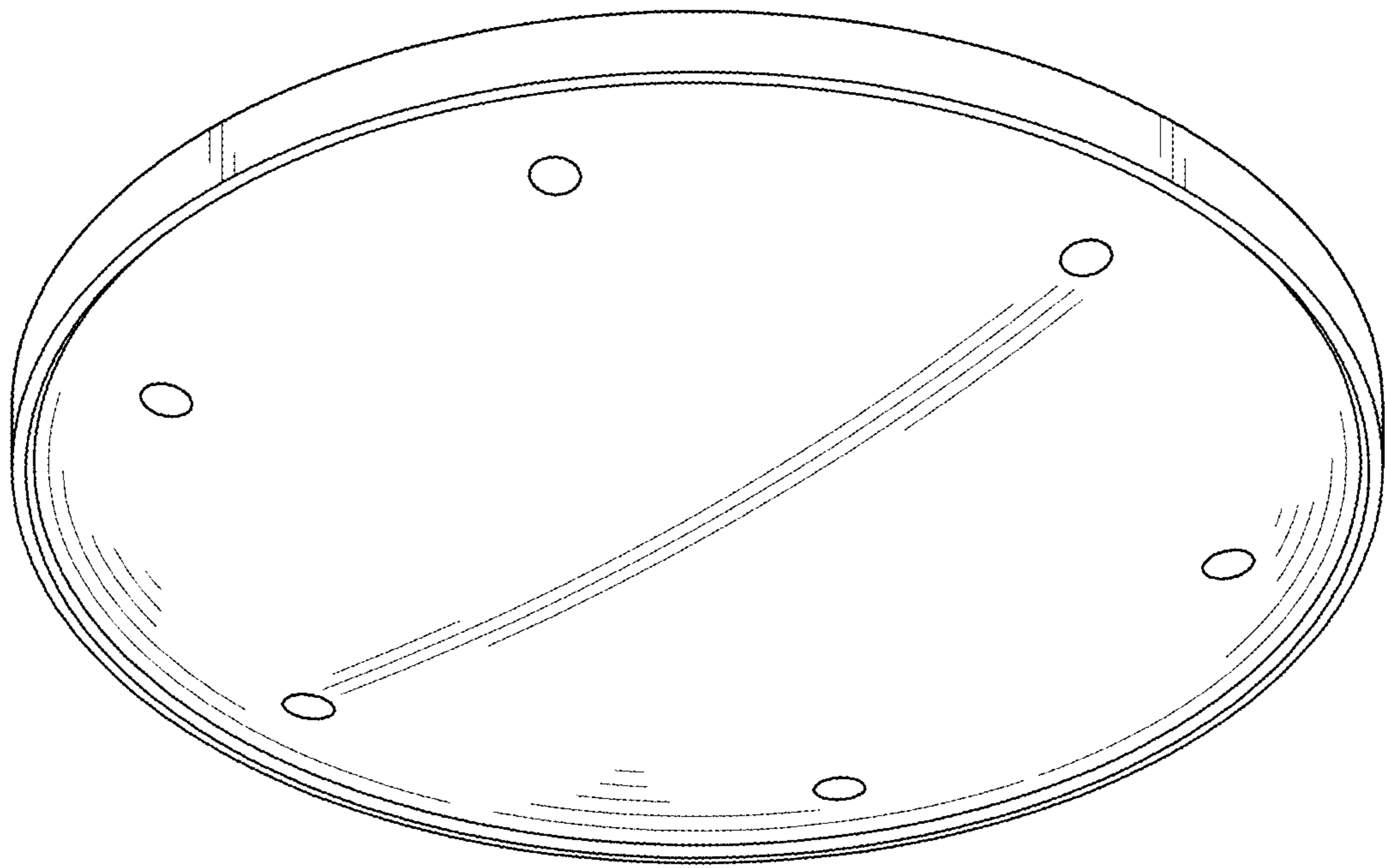


FIG. 1

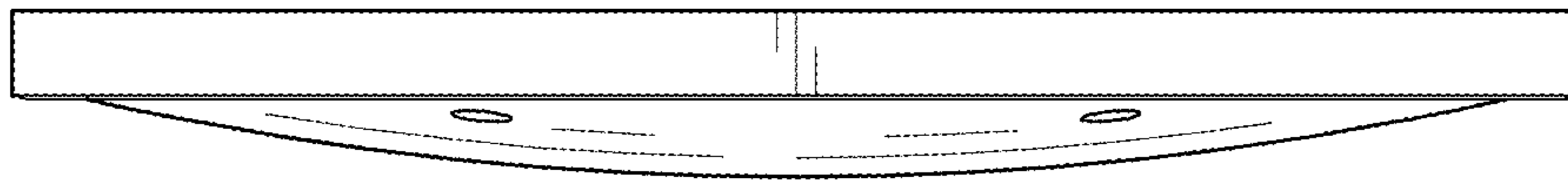


FIG. 2



FIG. 3

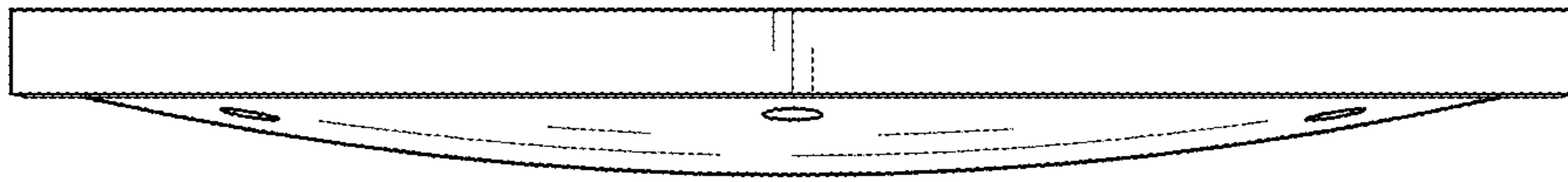


FIG. 4

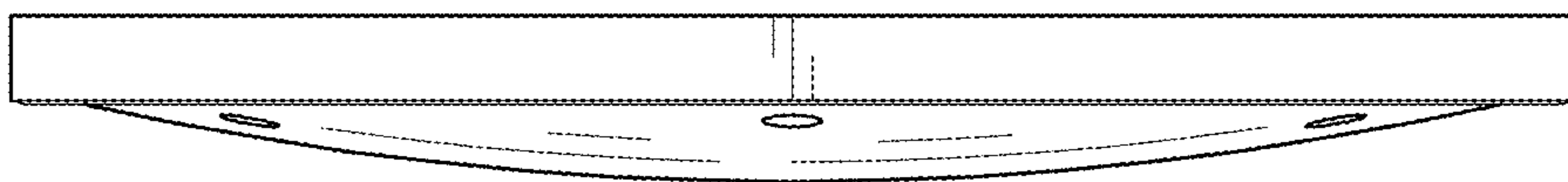


FIG. 5

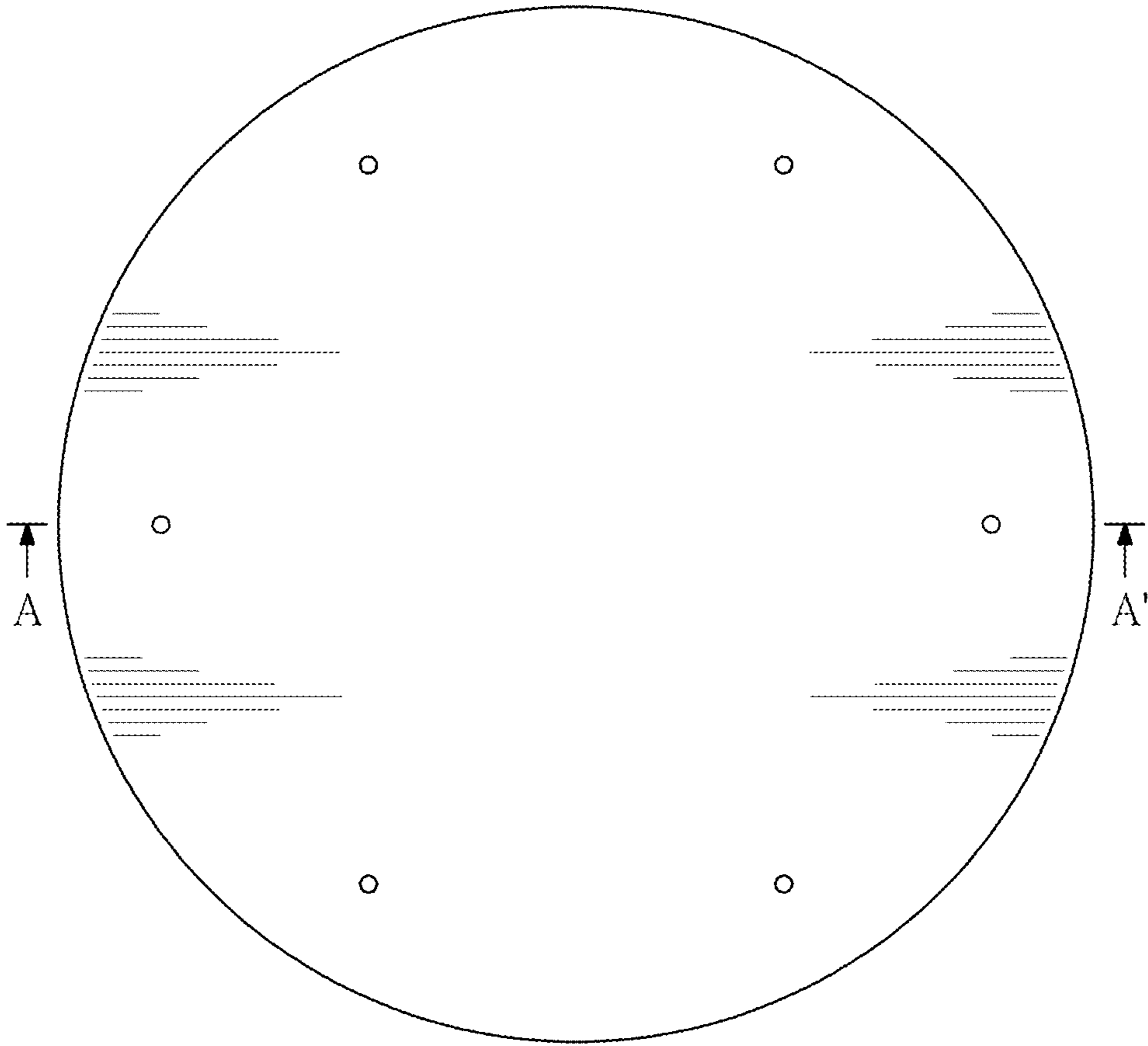


FIG. 6

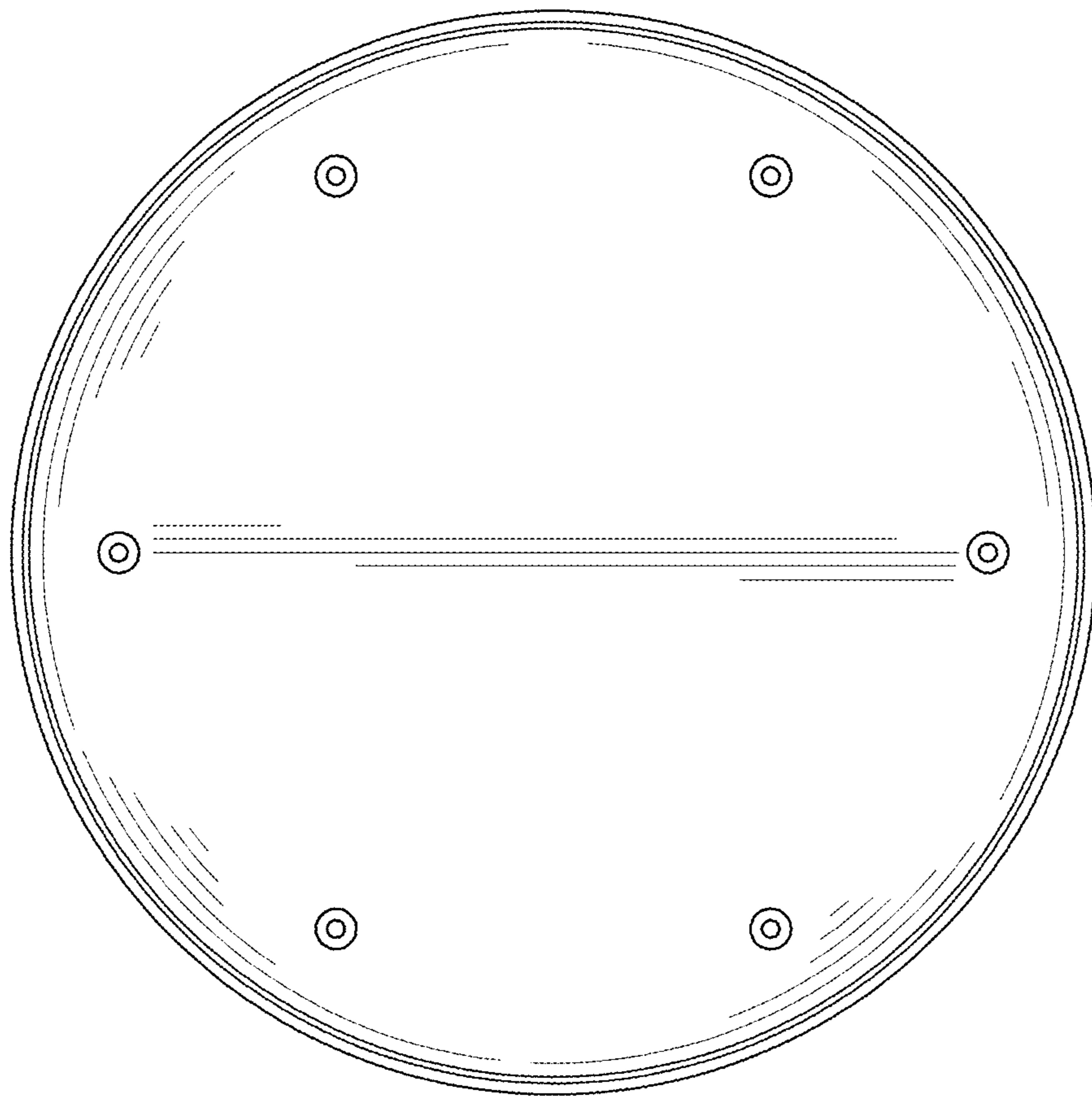
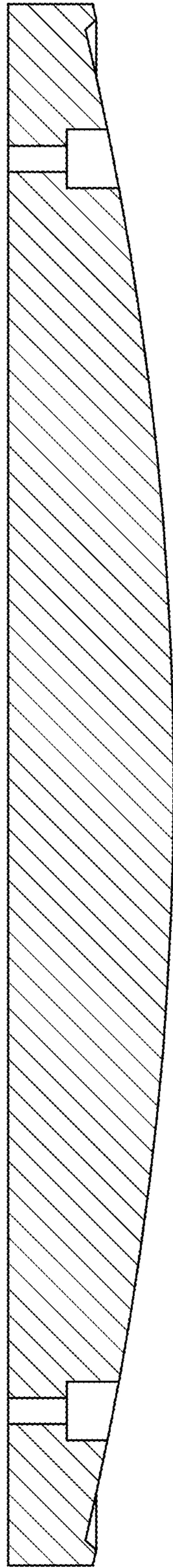


FIG. 7



A-A'  
FIG. 8

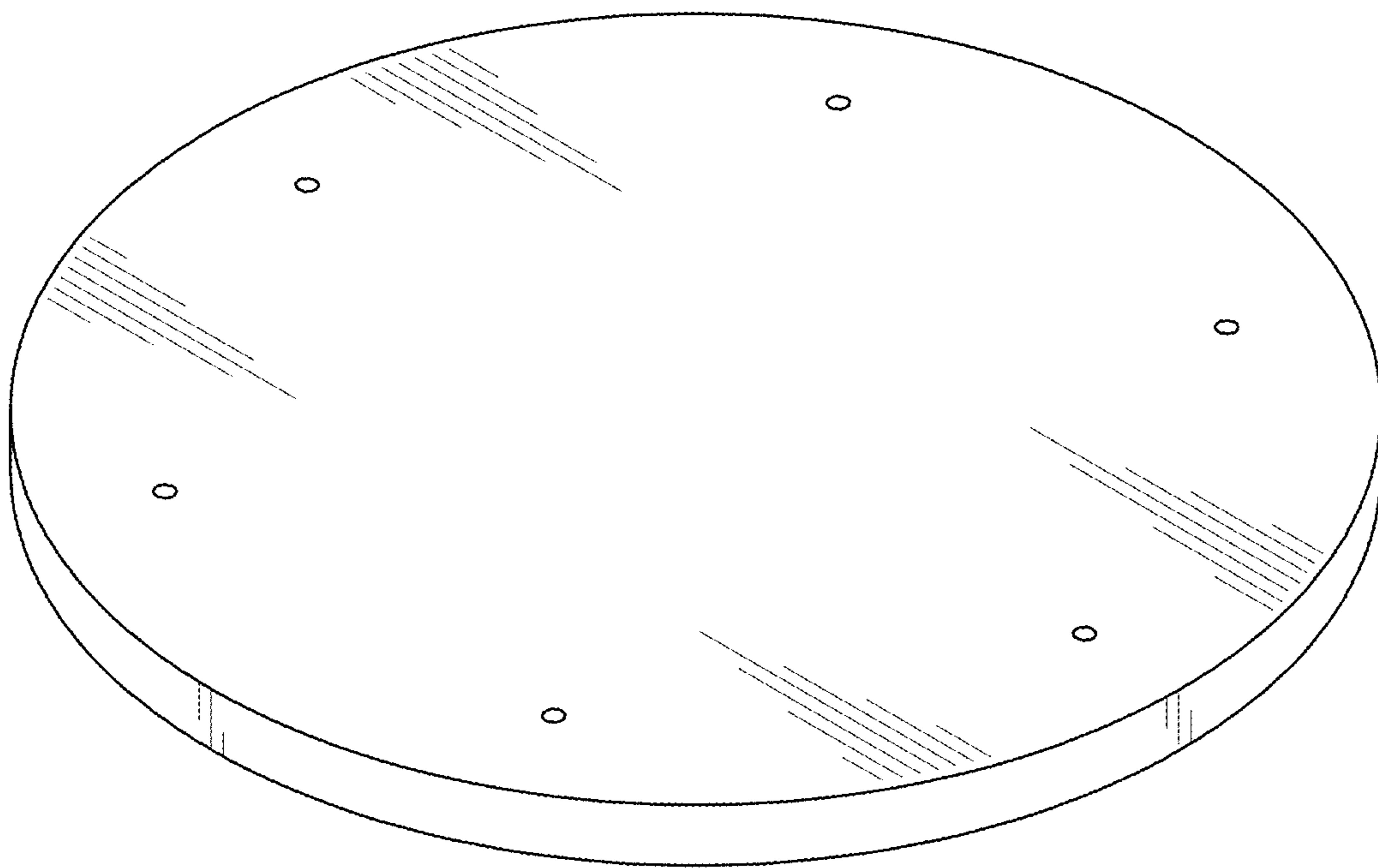


FIG. 9



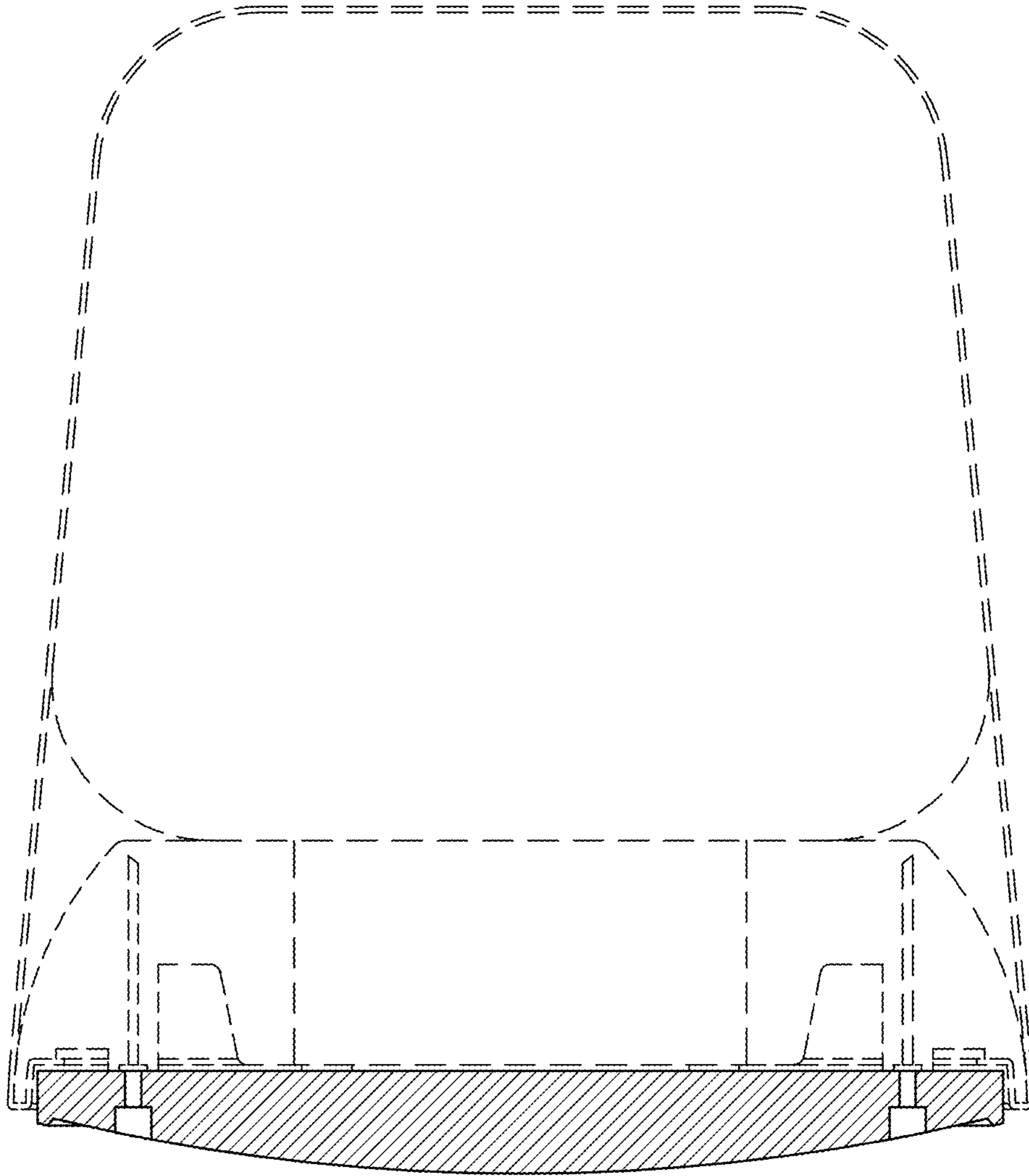


FIG.10