



US00D820016S

(12) **United States Design Patent**
Pena et al.

(10) **Patent No.:** **US D820,016 S**
(45) **Date of Patent:** **** Jun. 12, 2018**

(54) **PUSHER DEVICE**

D445,615 S * 7/2001 Burke D6/706
D480,231 S * 10/2003 Valiulis D6/706
D485,699 S * 1/2004 Mueller D6/706

(71) Applicant: **TracFone Wireless, Inc.**, Miami, FL
(US)

* cited by examiner

(72) Inventors: **Elvis Pena**, Miami, FL (US); **Edith Wollin**, Miami, FL (US); **Maria Echevarria**, Miami, FL (US)

Primary Examiner — Wan Laymon
Assistant Examiner — Mark Booker
(74) *Attorney, Agent, or Firm* — Baker Hostetler LLP

(73) Assignee: **TracFone Wireless, Inc.**, Miami, FL
(US)

(57) **CLAIM**

The ornamental design for a pusher device, as shown and described.

(**) Term: **15 Years**

DESCRIPTION

(21) Appl. No.: **29/602,137**

FIG. 1 is a left front side perspective view of the pusher device;

(22) Filed: **Apr. 28, 2017**

FIG. 2 is a left rear side perspective view of the pusher device;

(51) **LOC (11) Cl.** **06-04**

FIG. 3 is a rear side view of the pusher device shown in FIG. 1;

(52) **U.S. Cl.**

USPC **D6/706**

FIG. 4 is a front side view of the pusher device shown in FIG. 1;

(58) **Field of Classification Search**

USPC D6/706, 678.2, 682.4, 682.5, 705.2,

D6/705.5, 705.7; D7/550.1, 553.1,

D7/553.27; 211/51, 59.2, 59.3, 59.4

CPC A47B 45/00; A47B 88/40; A47B 88/427;

A47F 1/00; B65D 21/08; B65D 81/3813;

B65D 87/0276; B65B 1/34

See application file for complete search history.

FIG. 5 is a left side view of the pusher device shown in FIG. 1;

FIG. 6 is a right side view of the pusher device shown in FIG. 1;

FIG. 7 is a top side view of the pusher device shown in FIG. 1; and,

FIG. 8 is a block side view of the pusher device shown in FIG. 1.

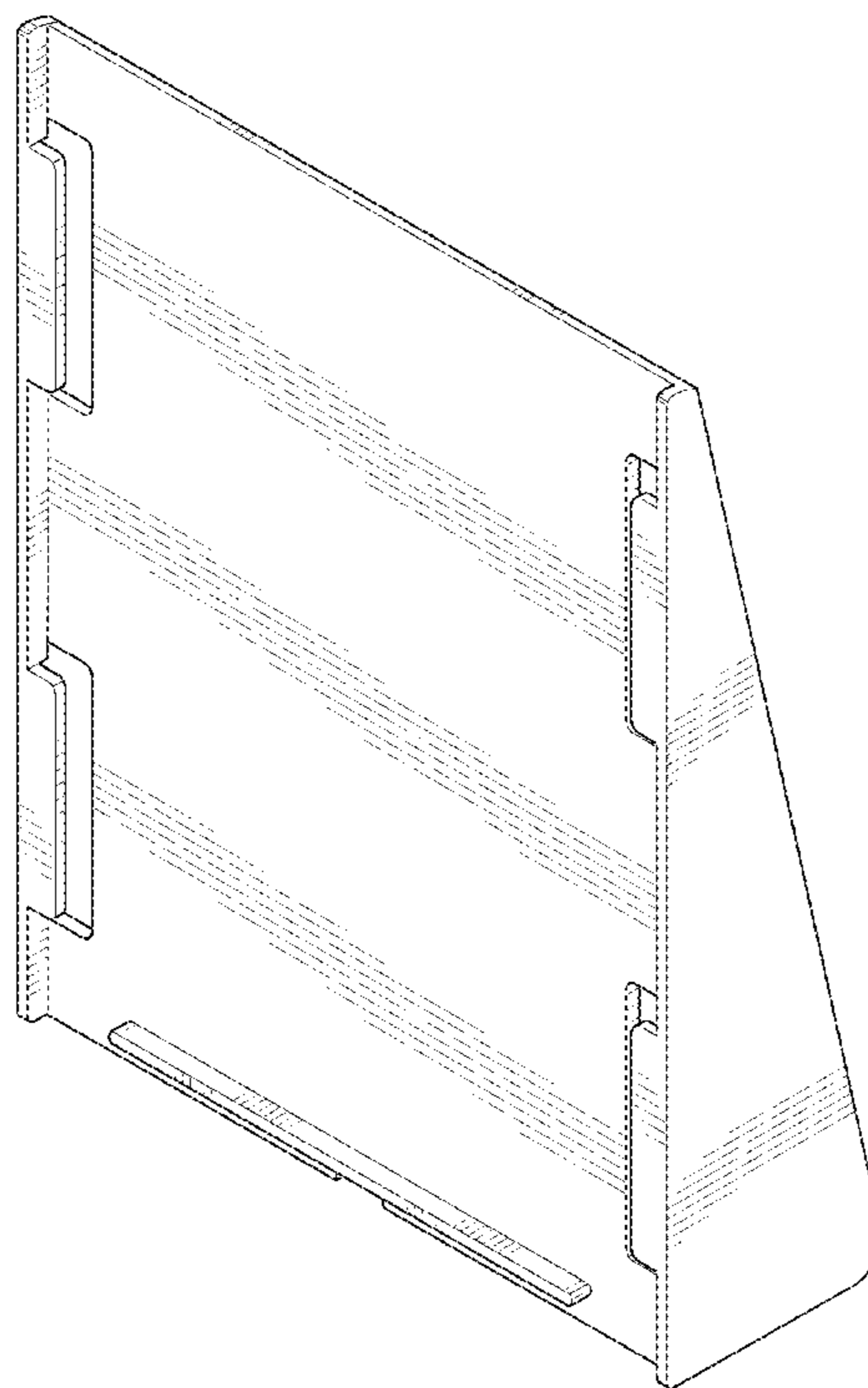
The subject matter shown in dashed lines, and any surfaces of the design not shown, including interior surfaces, form no part of the claimed invention.

(56) **References Cited**

U.S. PATENT DOCUMENTS

D256,301 S * 8/1980 Cutts D6/706

1 Claim, 6 Drawing Sheets



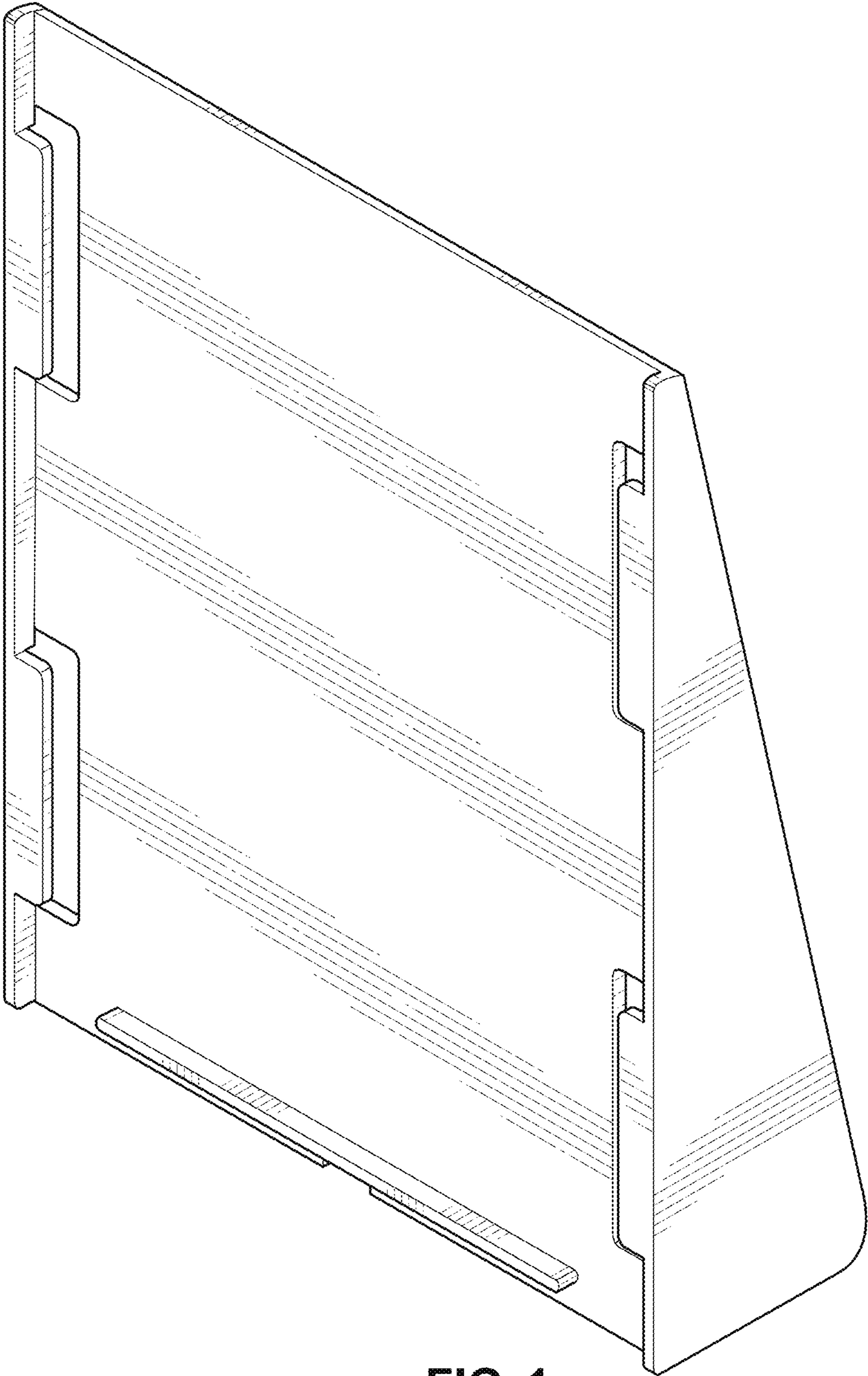


FIG. 1

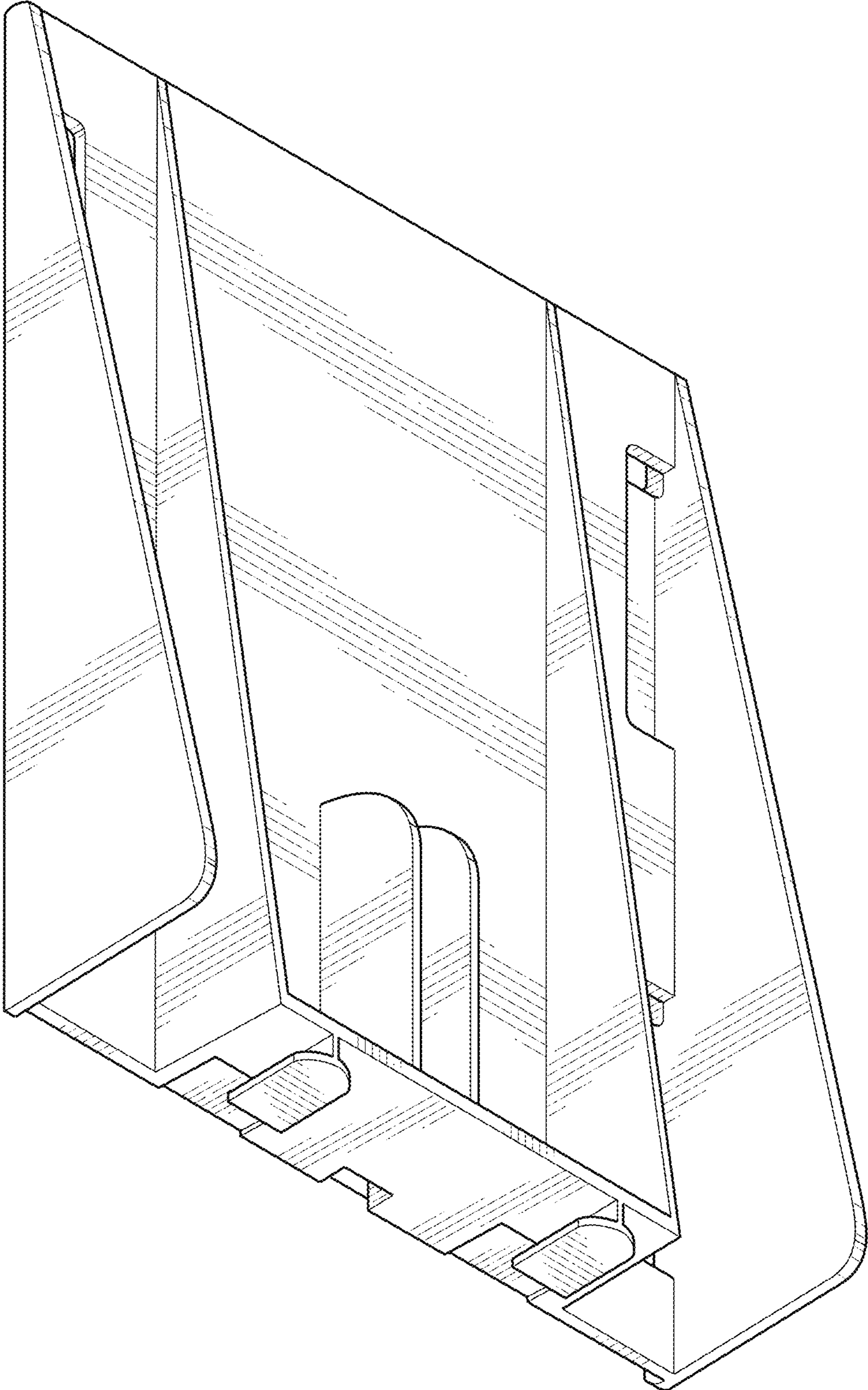


FIG. 2

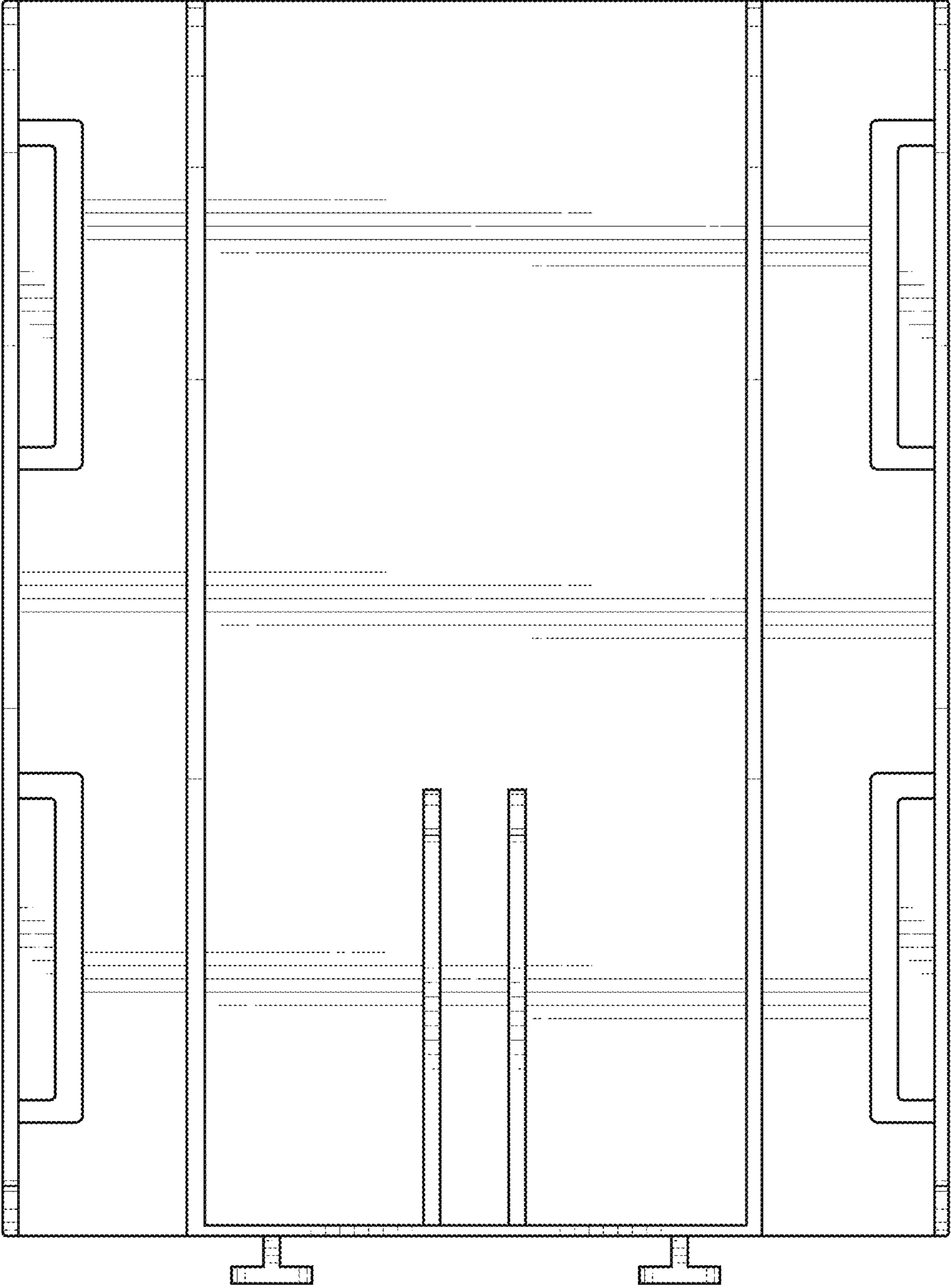


FIG. 3

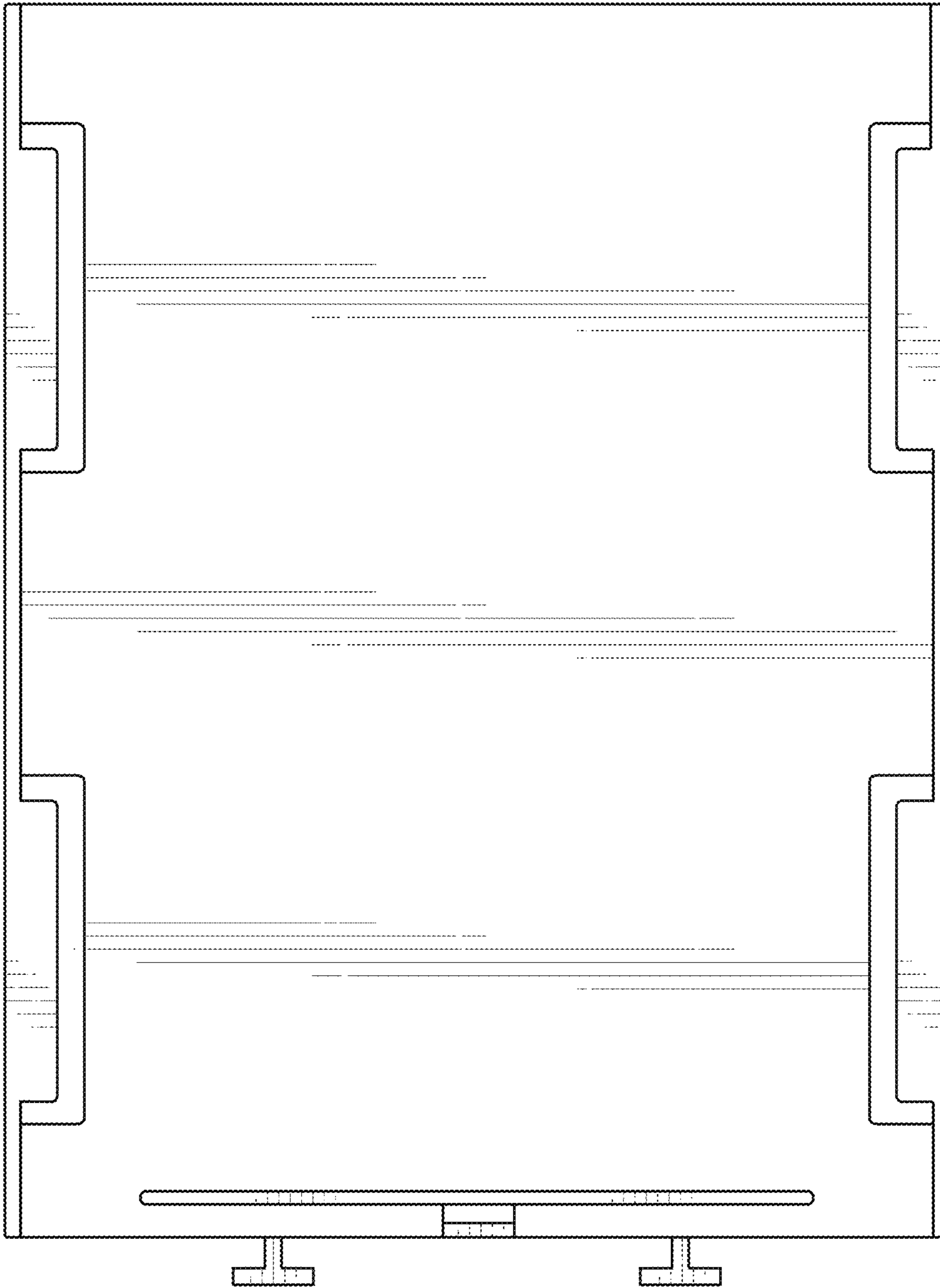


FIG. 4

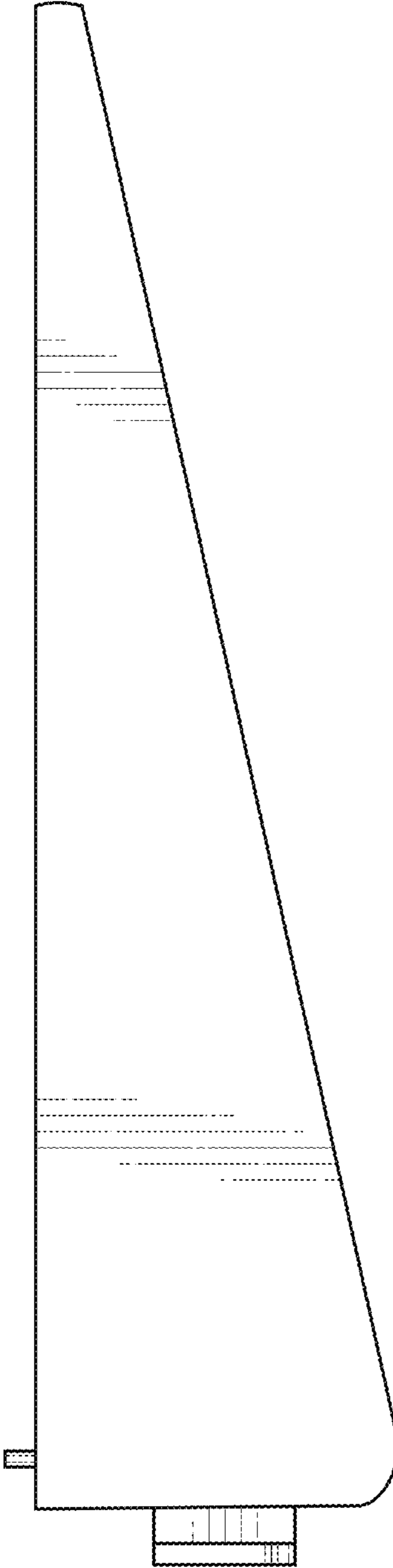


FIG. 5

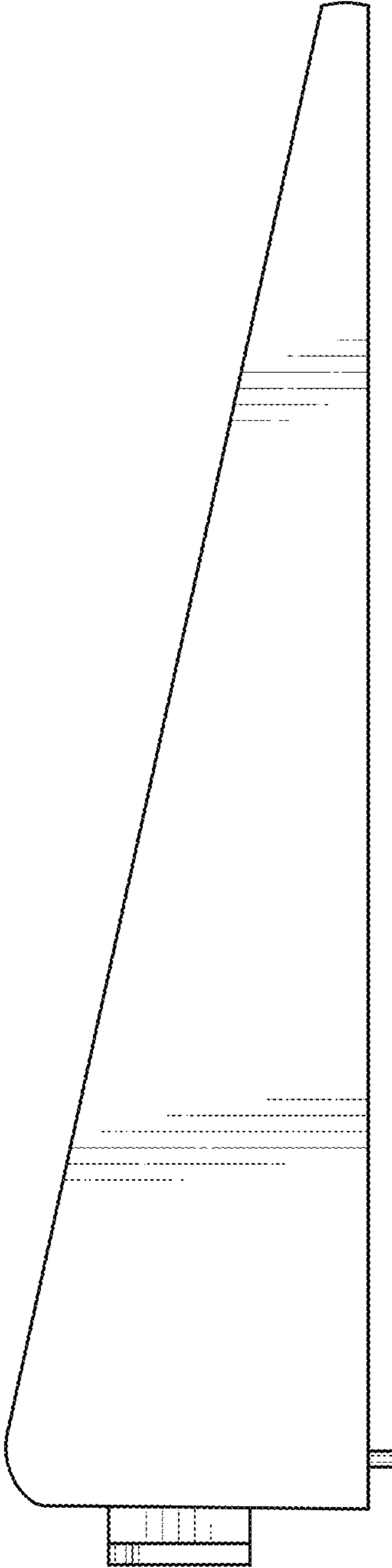


FIG. 6

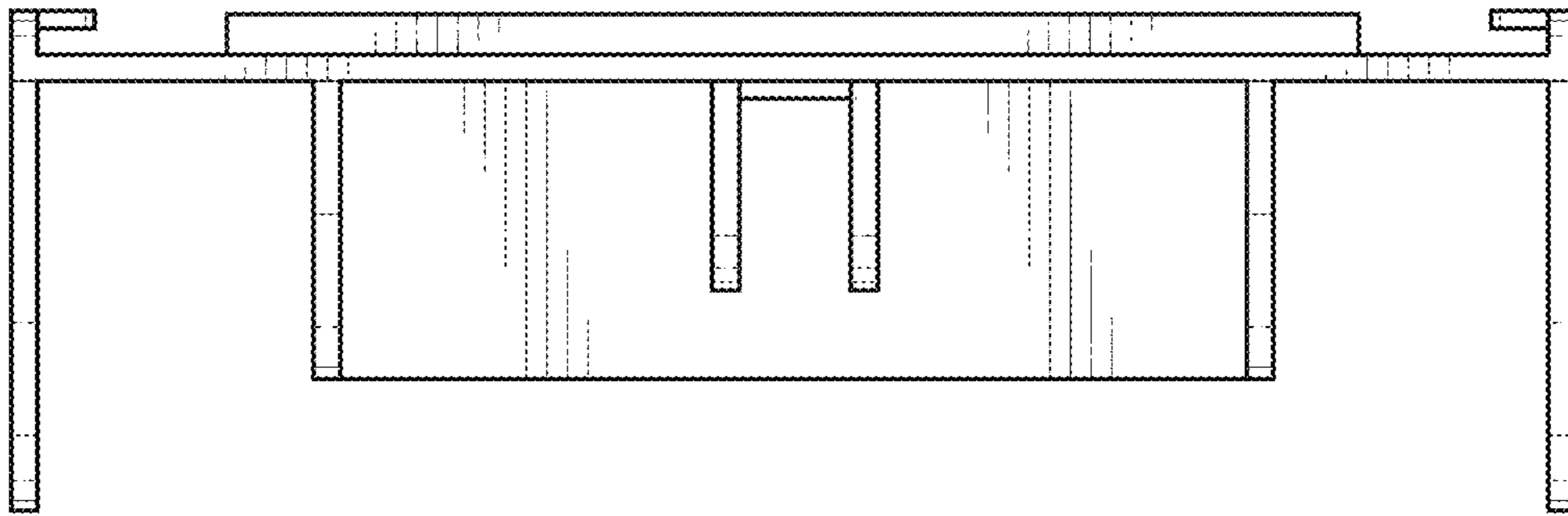


FIG. 7

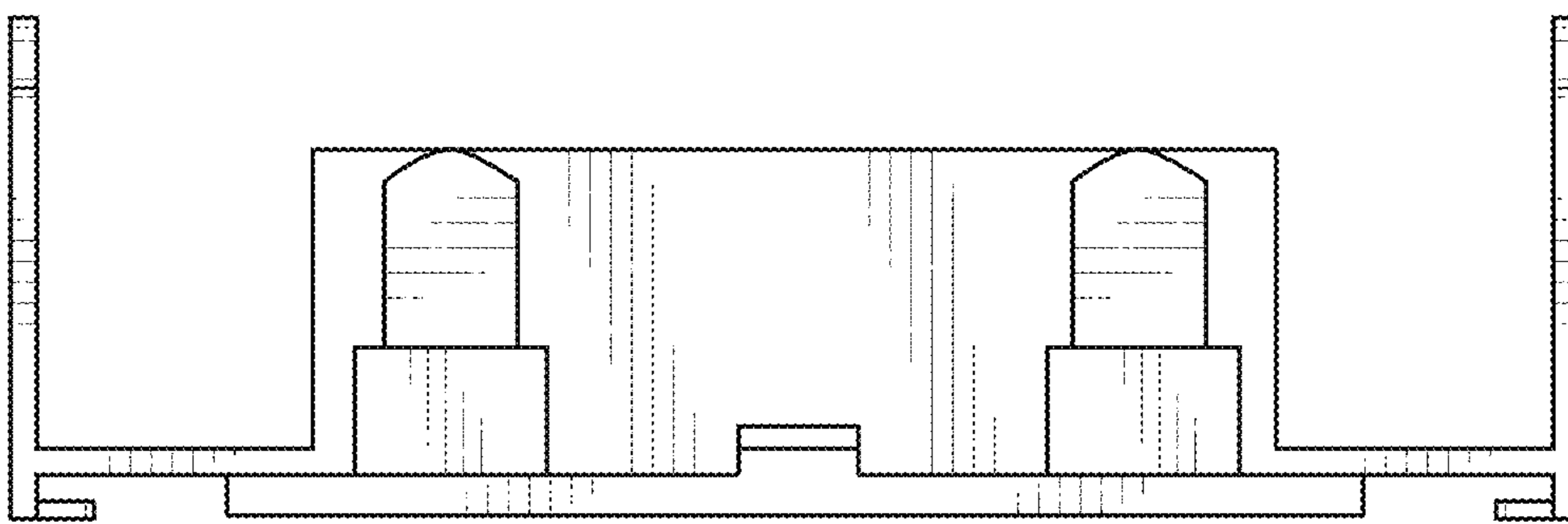


FIG. 8