



US00D820014S

(12) **United States Design Patent**  
**Huang et al.**

(10) **Patent No.:** **US D820,014 S**  
(45) **Date of Patent:** **\*\* Jun. 12, 2018**

- (54) **COFFEE TABLE**
- (71) Applicant: **Gabriella White, LLC**, Pelham, AL (US)
- (72) Inventors: **Kai-ning Huang**, Pelham, AL (US);  
**William White**, Pelham, AL (US)
- (73) Assignee: **Gabriella White, LLC**, Pelham, AL (US)
- (\*\*) Term: **15 Years**
- (21) Appl. No.: **29/600,932**
- (22) Filed: **Apr. 17, 2017**
- (51) **LOC (11) Cl.** ..... **06-03**
- (52) **U.S. Cl.**  
USPC ..... **D6/692.1**
- (58) **Field of Classification Search**  
USPC ..... D6/353, 368, 685, 686, 688.21, 688.22,  
D6/688.23, 688.26, 688.27, 692, 692.1,  
D6/692.2, 692.3, 692.4, 692.5, 692.6,  
D6/692.7, 692.8, 702, 707.17, 707.18,  
D6/707.2, 707.22, 708, 708.16, 708.17,  
D6/708.2, 708.22  
CPC .... A47B 1/00; A47B 3/00; A47B 3/02; A47B  
7/00; A47B 9/00; A47B 13/00; A47B  
13/02; A47B 21/00; A47B 2013/024;  
A47B 2013/025; A47B 2013/026; A47B  
2200/00; A47B 13/081; A47B 13/10  
See application file for complete search history.

- D415,376 S \* 10/1999 Lottes ..... D6/707.22
- 6,283,046 B1 \* 9/2001 Tseng ..... A47B 9/00  
108/127
- D527,551 S \* 9/2006 Berry ..... D6/687
- D554,394 S \* 11/2007 Jaramillo ..... D6/692.1
- D575,084 S \* 8/2008 Jehs ..... D6/708.17
- D578,320 S \* 10/2008 Weatherly ..... D6/692
- 2017/0360187 A1 \* 12/2017 Rossi ..... A47B 1/10

**OTHER PUBLICATIONS**

Img-thing, posted at Polyvore.com, posted on Oct. 11, 2014, site visited Feb. 1, 2018. online, available from internet: <https://www.polyvore.com/cgi/img-thing?.out=jpg&size=l&tid=106398902>.  
14849265801026132, posted at Sweetcouch.com, posted on Feb. 17, 2017, site visited Feb. 1, 2018. online, available from internet: <https://ak1.scstatic.net/1/cdn2-cont11.sweetcouch.com/148492658010126132-gabby-furniture-zelda-coffee-table.jpg>.

\* cited by examiner

*Primary Examiner* — Mary Ann Calabrese  
*Assistant Examiner* — Catherine Ho  
(74) *Attorney, Agent, or Firm* — Joseph S. Bird, III;  
Bradley Arant Boult Cummings LLP

(57) **CLAIM**

We claim the ornamental design for a coffee table, as shown and described.

**DESCRIPTION**

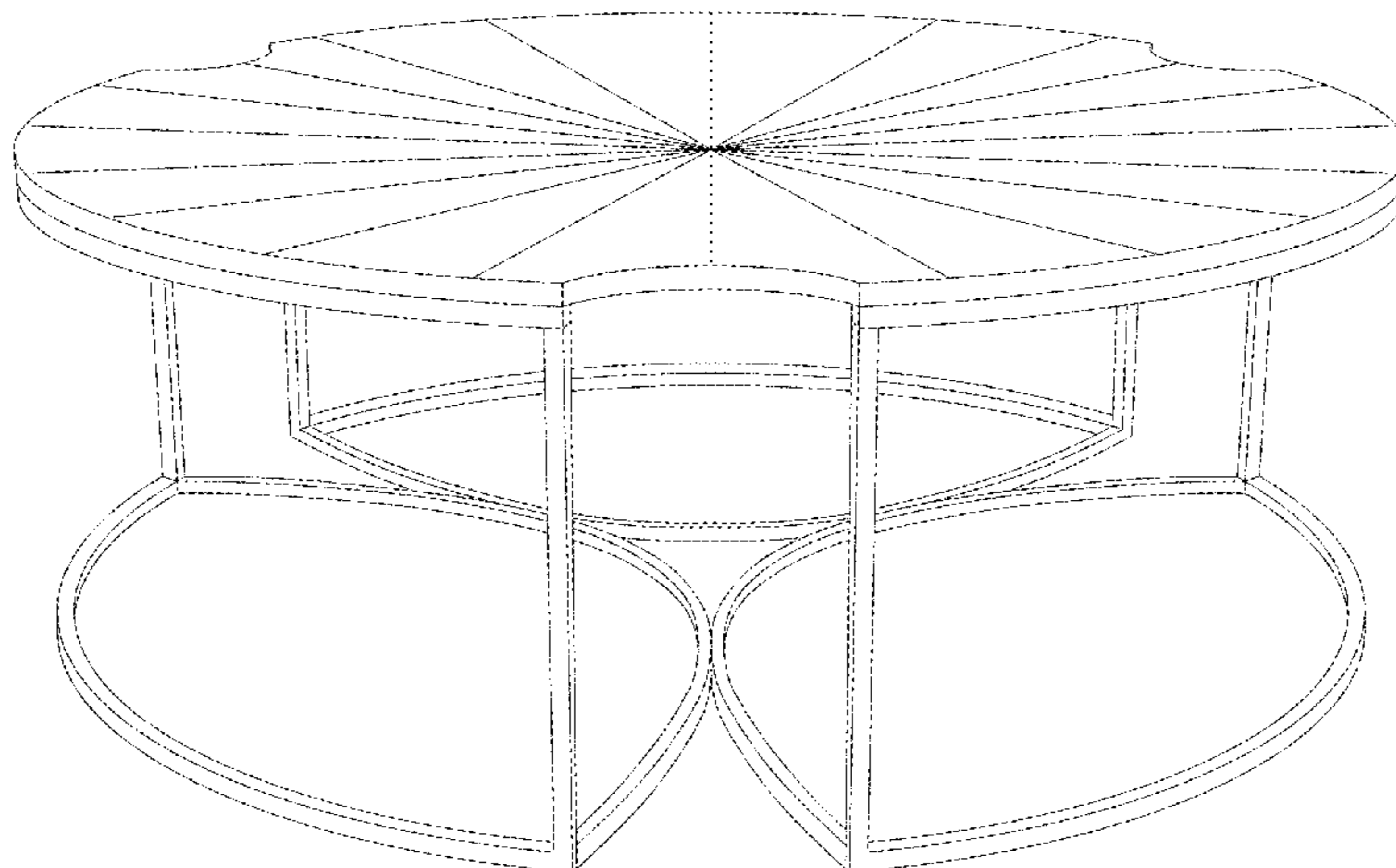
FIG. 1 is a rear perspective view of a coffee table;  
FIG. 2 is a top plan view of the coffee table of FIG. 1;  
FIG. 3 is a bottom view of the coffee table of FIG. 1;  
FIG. 4 is a front elevational view of the coffee table of FIG. 1;  
FIG. 5 is a rear elevational view of the coffee table of FIG. 1; and,  
FIG. 6 is a side elevational view of FIG. 1, the other side being a mirror image thereof.

**1 Claim, 3 Drawing Sheets**

(56) **References Cited**

**U.S. PATENT DOCUMENTS**

- D227,966 S \* 7/1973 Duern ..... D6/696
- D236,785 S \* 9/1975 Smith ..... D6/692.6
- D246,341 S \* 11/1977 Boughton ..... D6/692.4
- D252,965 S \* 9/1979 Petersen ..... D6/692.4
- D284,918 S \* 8/1986 McBride ..... D6/708.16
- D372,383 S \* 8/1996 Saldana ..... D6/692.5



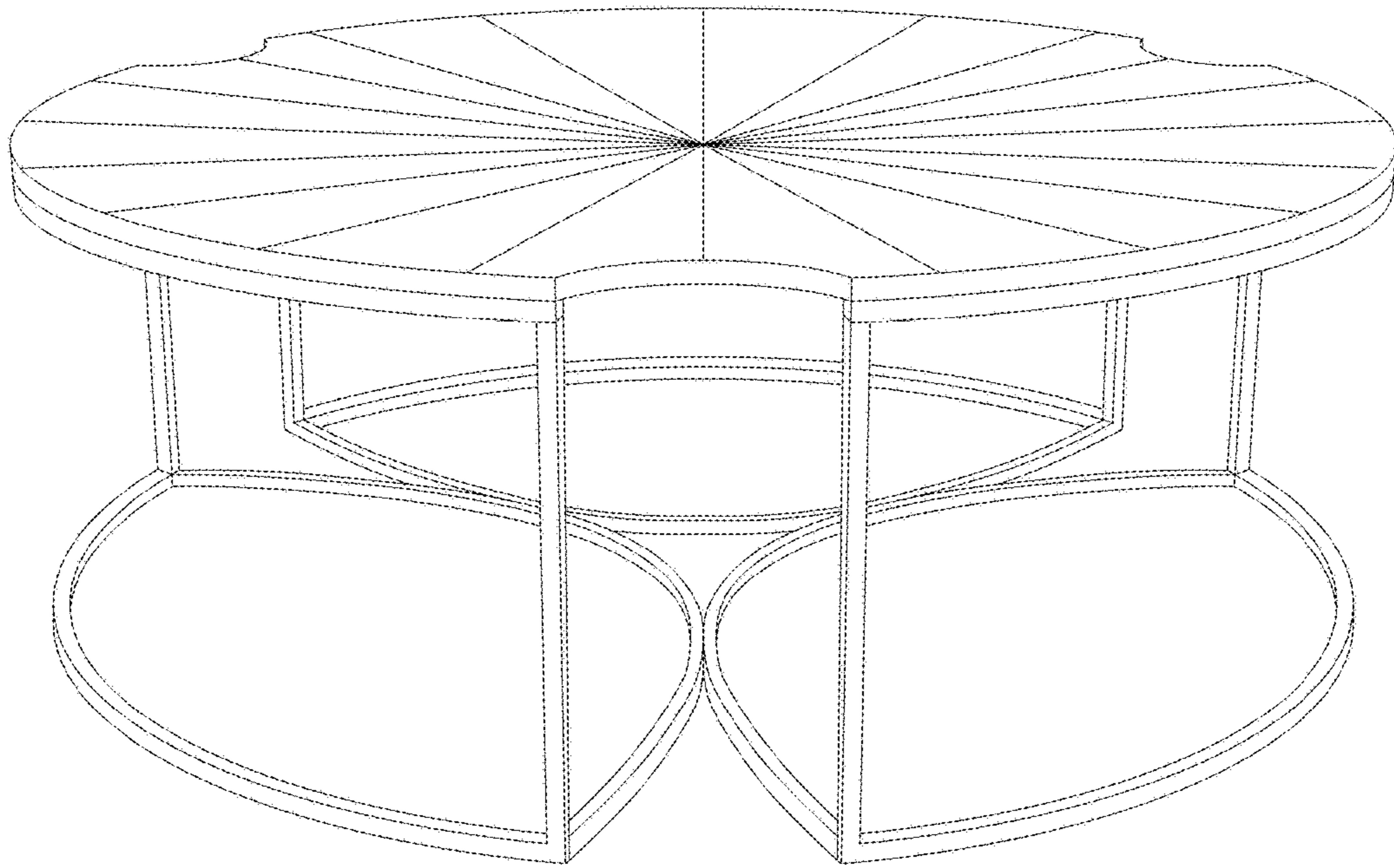


FIG. 1

FIG. 2

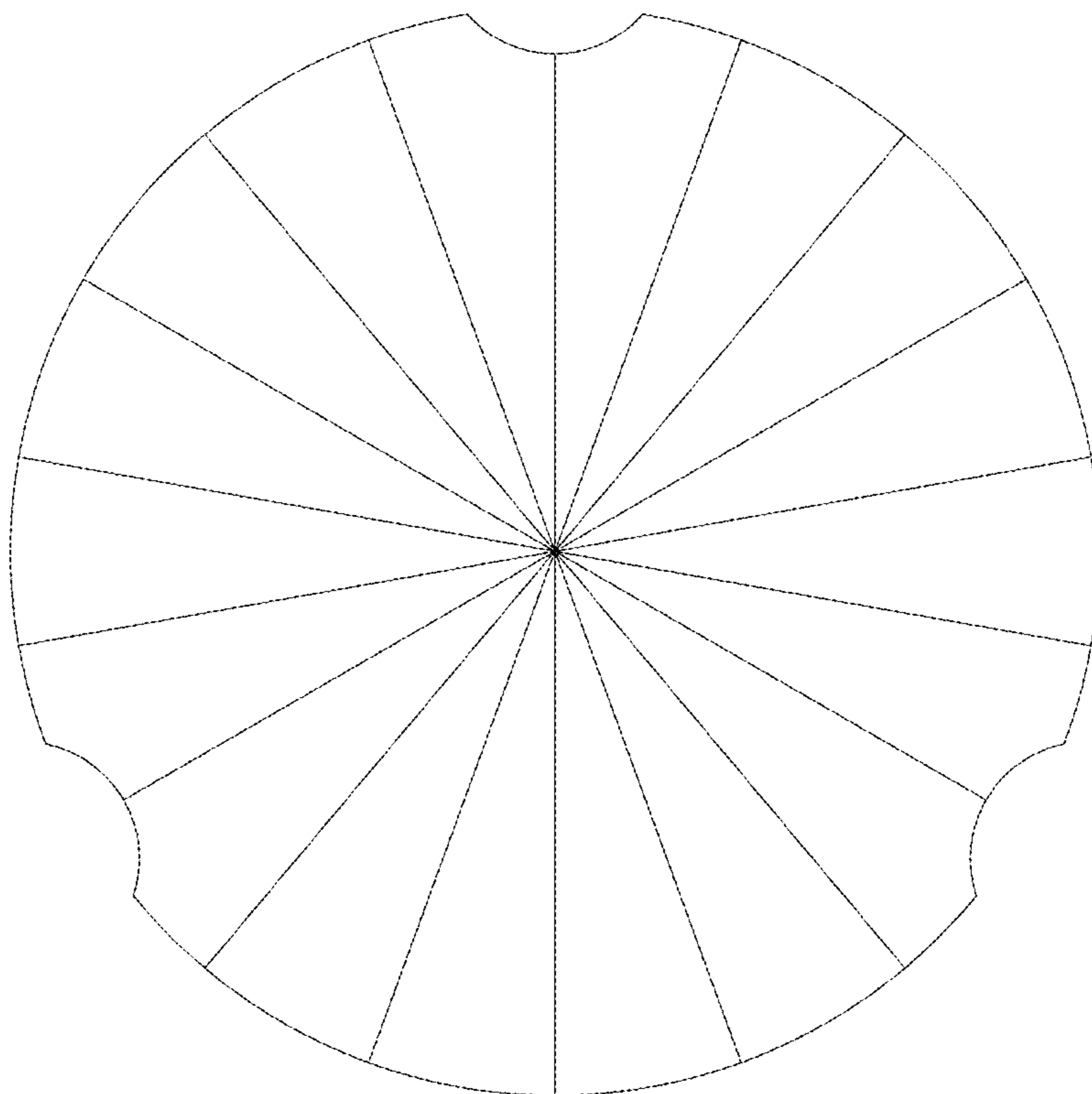
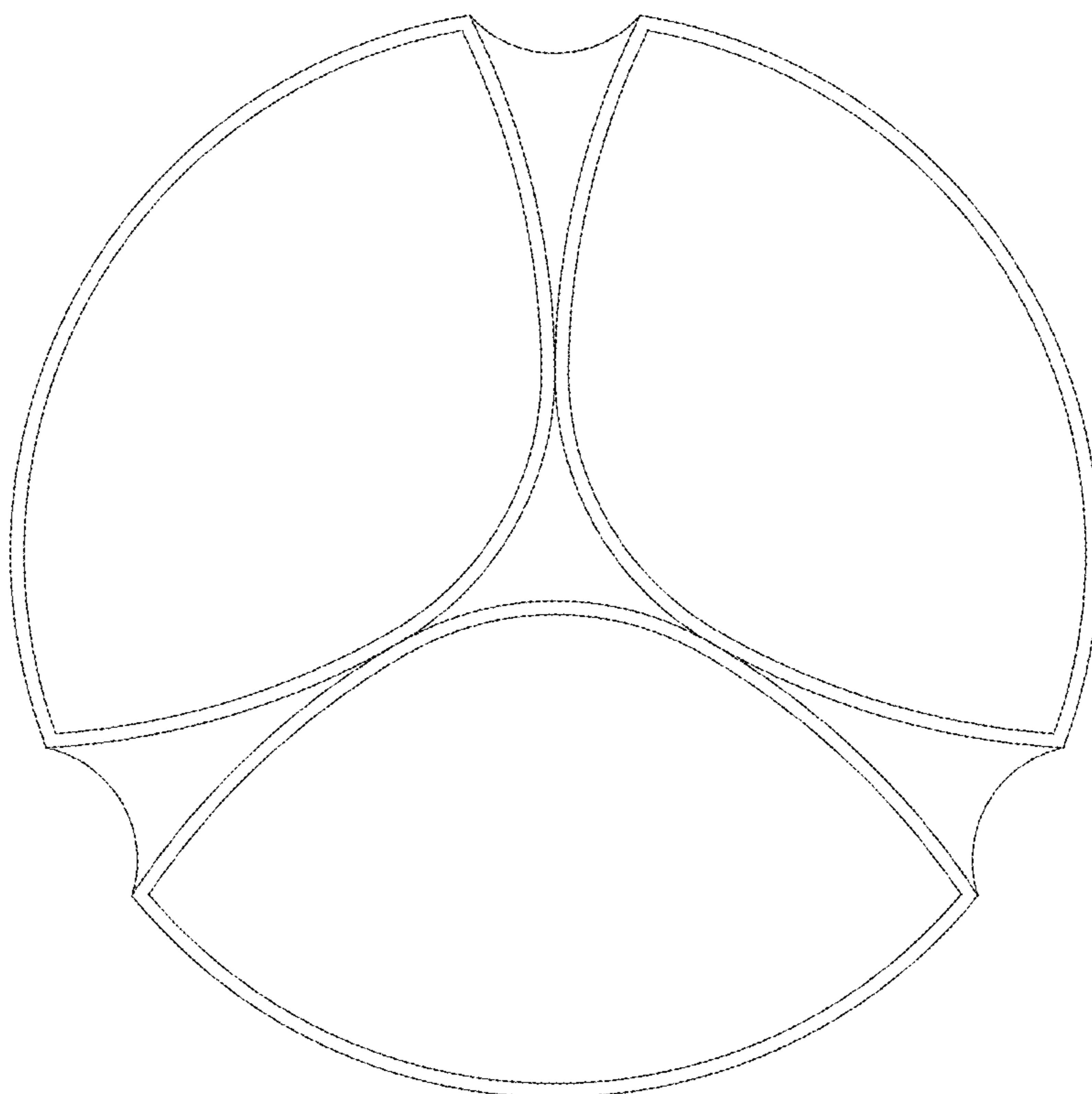


FIG. 3



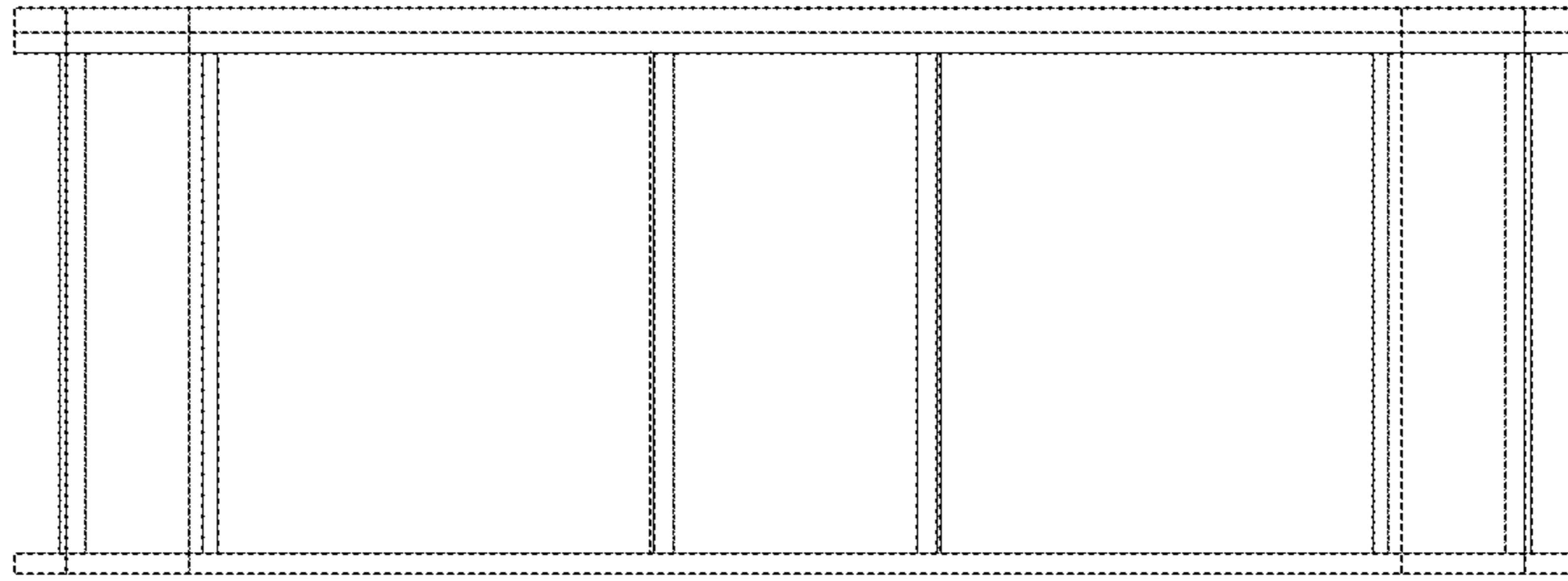


FIG. 4

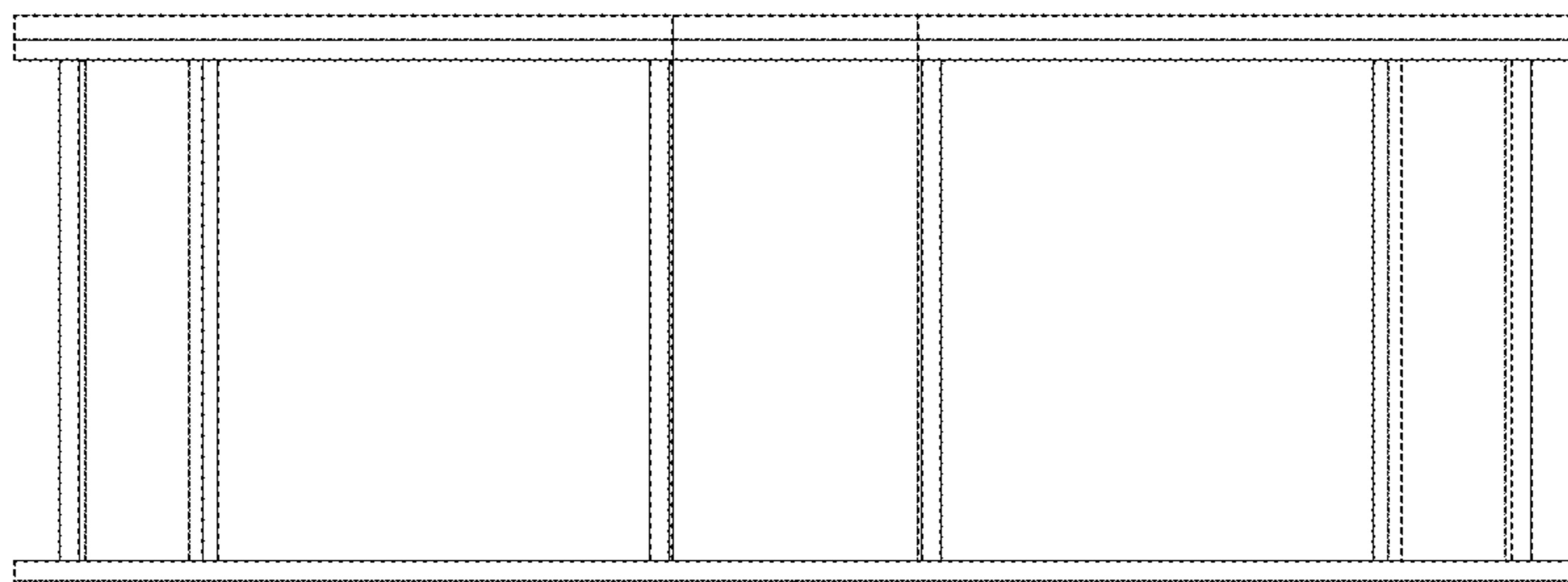


FIG. 5

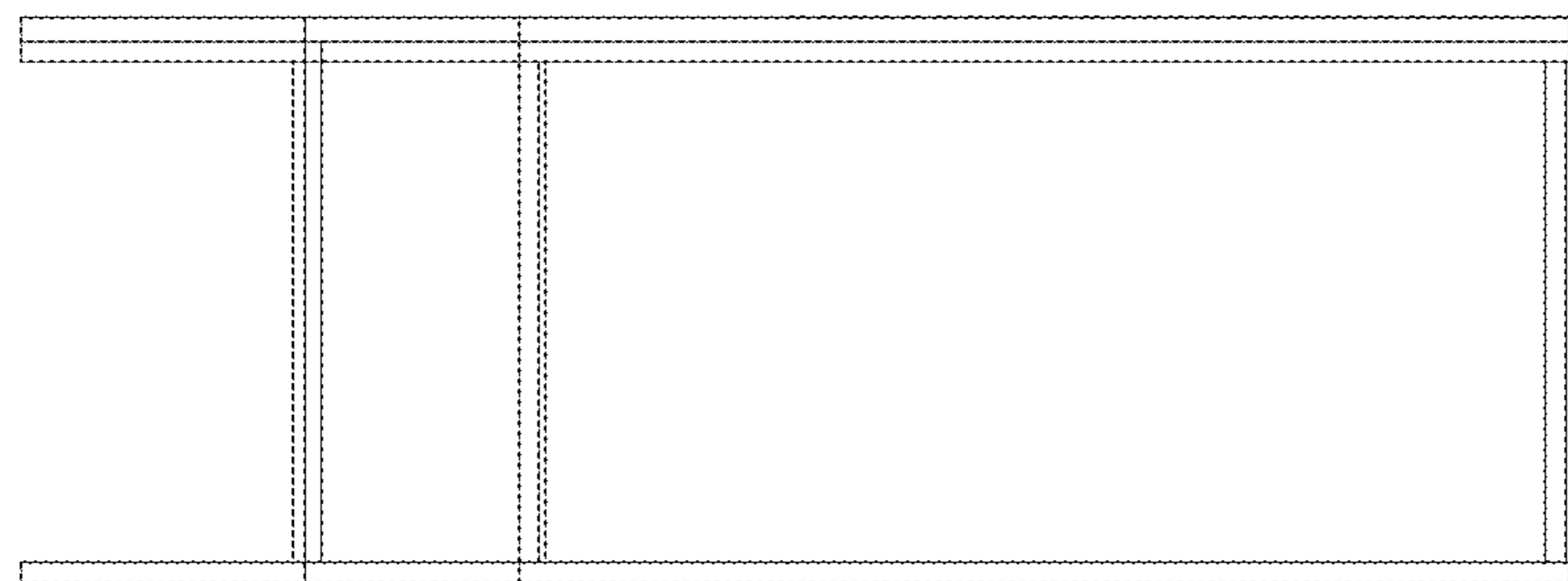


FIG. 6