



US00D820013S

(12) **United States Design Patent** (10) **Patent No.:** **US D820,013 S**
Bailey (45) **Date of Patent:** **** Jun. 12, 2018**

(54) **PORTABLE ACCESSORY STAND**
(71) Applicant: **Pecos Crafted, LLC**, Austin, TX (US)
(72) Inventor: **Benjamin Allen Bailey**, Austin, TX (US)
(73) Assignee: **Pecos Crafted, LLC**, Austin, TX (US)
(**) Term: **15 Years**

| | | | | |
|-------------------|---------|----------|-------|-----------------------|
| D520,098 S * | 5/2006 | LeMoine | | D21/796 |
| D642,402 S * | 8/2011 | Rickard | | D6/681.3 |
| D695,865 S * | 12/2013 | Swan | | D21/796 |
| D698,573 S * | 2/2014 | Carter | | D6/524 |
| D720,450 S * | 12/2014 | Glenn | | D24/128 |
| D727,072 S * | 4/2015 | Sorel | | D6/683 |
| D734,967 S * | 7/2015 | Lundy | | D6/681 |
| D784,119 S * | 4/2017 | Brooks | | D8/367 |
| 2006/0016943 A1 * | 1/2006 | Thompson | | A47J 33/00 248/175 |

* cited by examiner

(21) Appl. No.: **29/576,285**
(22) Filed: **Sep. 12, 2016**
(51) **LOC (11) Cl.** **06-06**
(52) **U.S. Cl.**
USPC **D6/683**
(58) **Field of Classification Search**
USPC D6/672-673, 675, 675.5, 681, 681.1,
D6/681.2, 682, 683; D3/304, 306, 308,
D3/309, 314, 315, 328
CPC .. A47B 55/02; A47F 7/00; B65D 1/22; B65D
1/00; B65D 1/38; B65D 7/00
See application file for complete search history.

Primary Examiner — Kelley Donnelly
(74) *Attorney, Agent, or Firm* — DuBois, Bryant & Campbell, LLP; William D. Wiese

(57) **CLAIM**

The ornamental design for a portable accessory stand, as shown and described.

DESCRIPTION

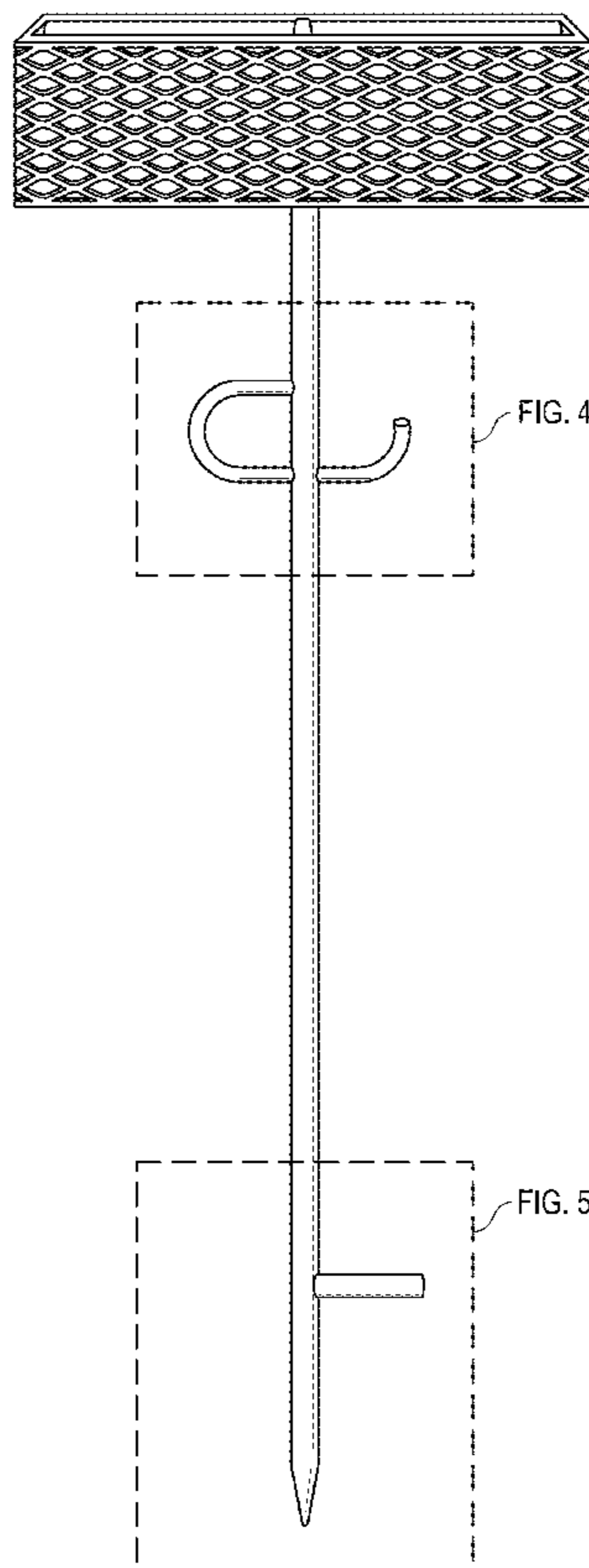
FIG. 1 is a front view of the portable accessory stand;
FIG. 2 is a right front perspective view of the upper portion of the portable accessory stand;
FIG. 3 is a left front perspective view of the upper portion of the portable accessory stand;
FIG. 4 is a front view of the center portion of the portable accessory stand; and,
FIG. 5 is a front view of the center portion of the portable accessory stand.

(56) **References Cited**

U.S. PATENT DOCUMENTS

| | | | | |
|--------------|---------|----------|-------|---------|
| D261,703 S * | 11/1981 | Plummer | | 248/121 |
| D281,016 S * | 10/1985 | Domingue | | D27/124 |

1 Claim, 5 Drawing Sheets



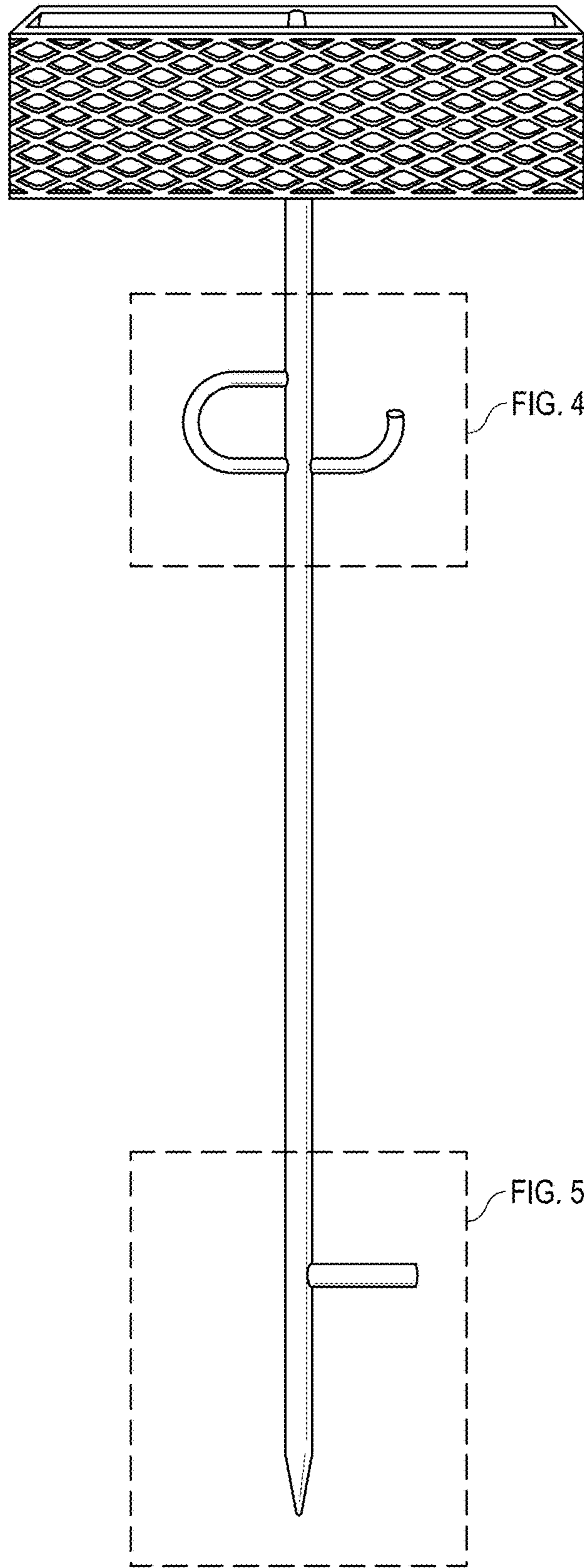


FIG. 1

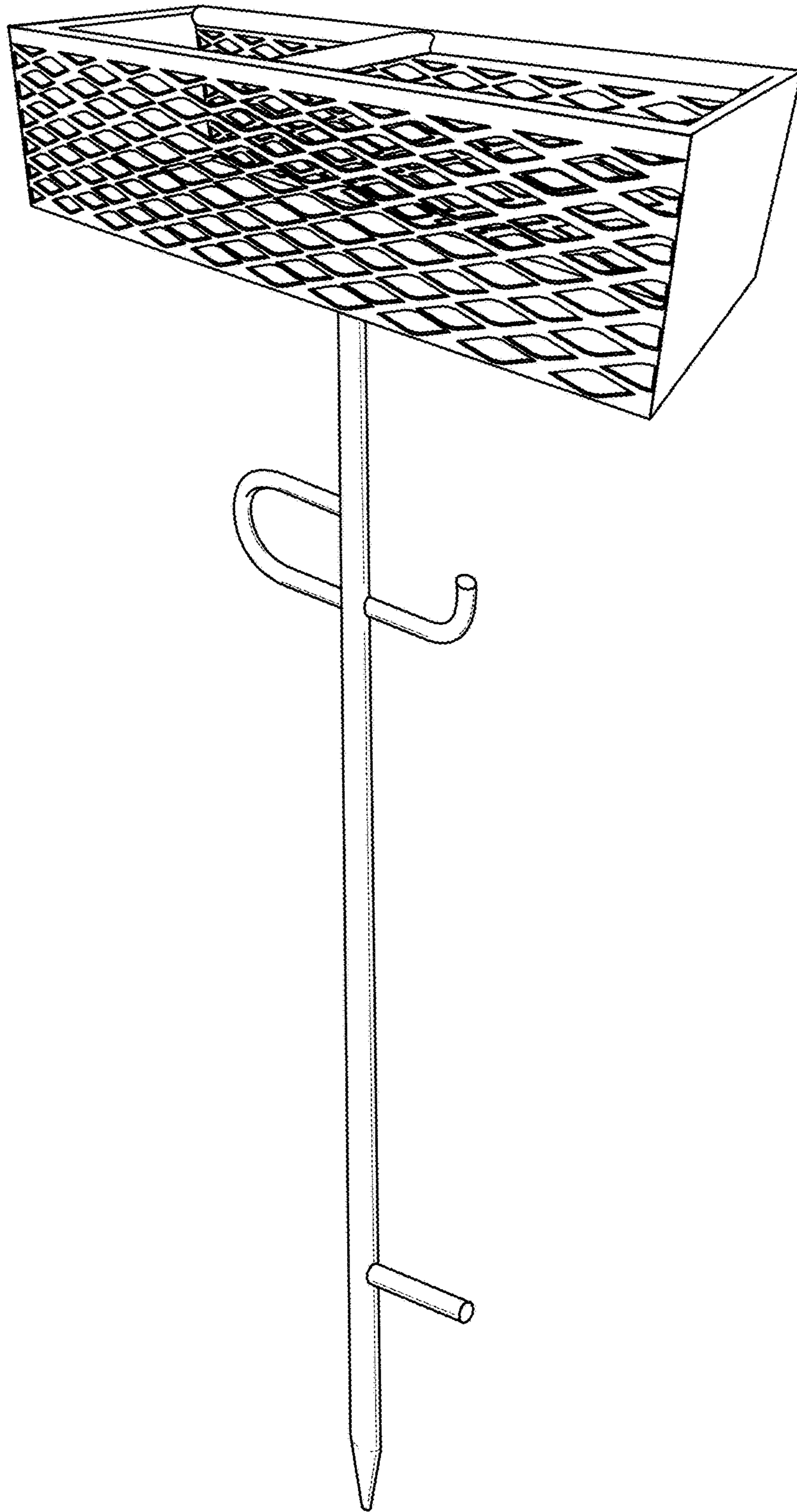


FIG. 2

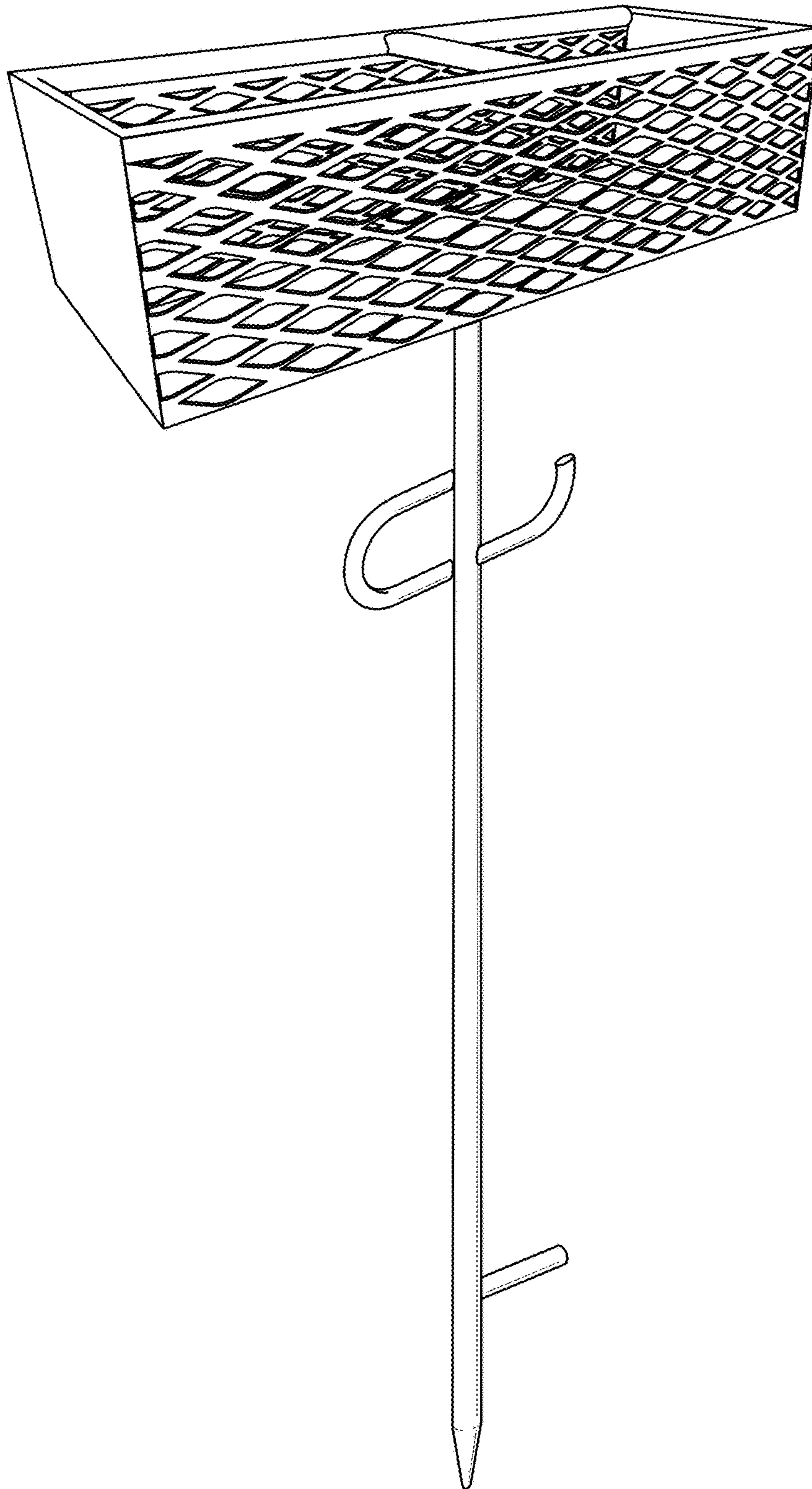


FIG. 3

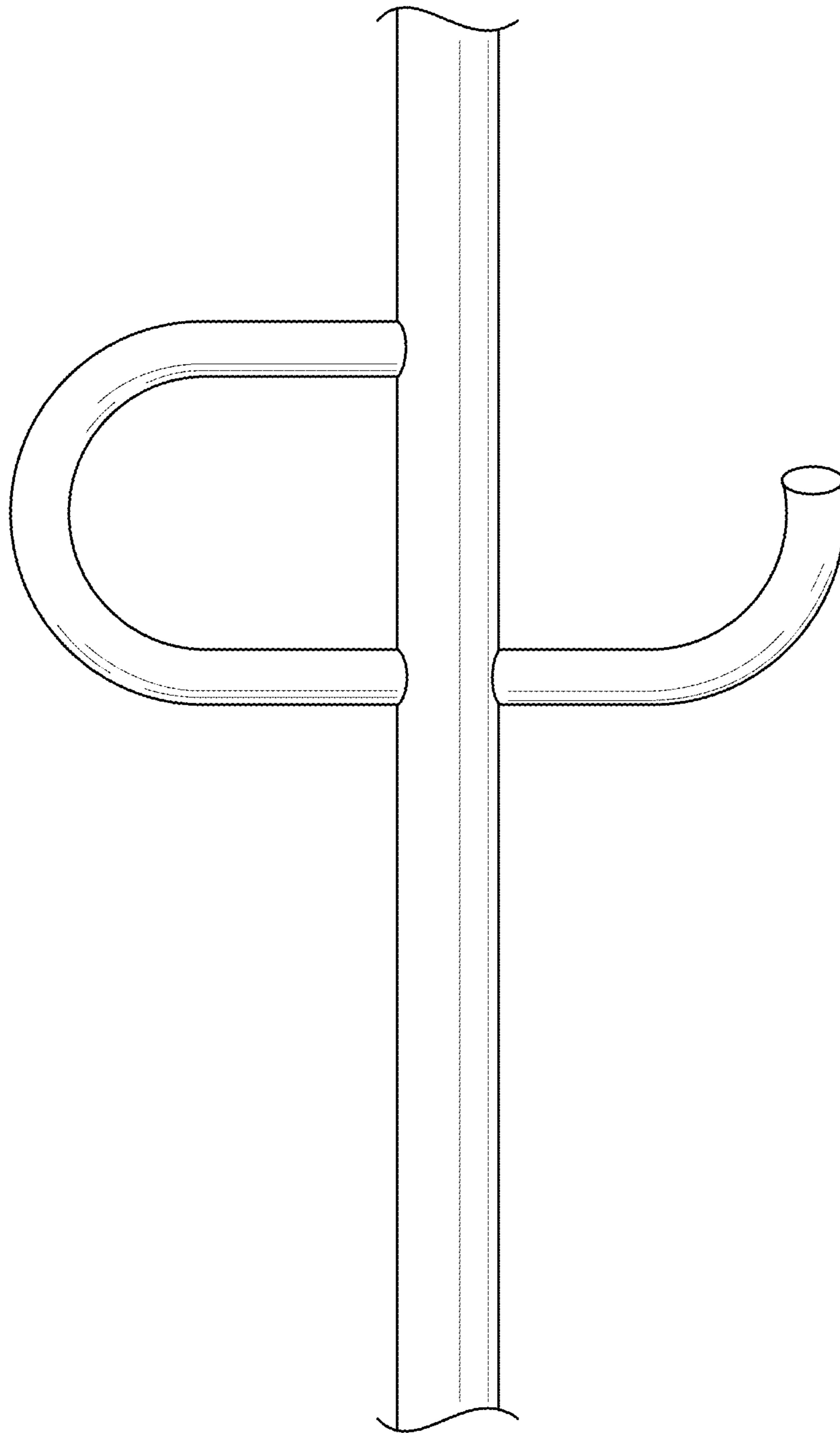


FIG. 4

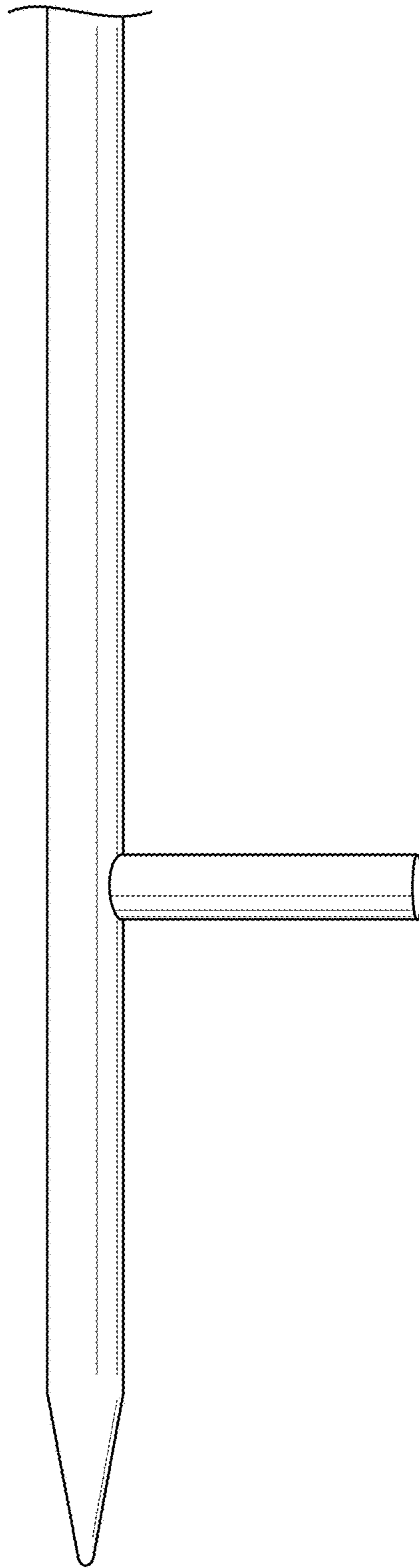


FIG. 5