



US00D820009S

(12) **United States Design Patent** (10) **Patent No.:** **US D820,009 S**
Burden (45) **Date of Patent:** **** Jun. 12, 2018**

(54) **CABINET**

(71) Applicant: **Ian James Burden**, Sovereign Islands (AU)

(72) Inventor: **Ian James Burden**, Sovereign Islands (AU)

(**) Term: **15 Years**

(21) Appl. No.: **29/587,454**

(22) Filed: **Dec. 13, 2016**

(30) **Foreign Application Priority Data**

Sep. 14, 2016 (AU) 201615238

(51) **LOC (11) Cl.** **06-04**

(52) **U.S. Cl.**
USPC **D6/663**

(58) **Field of Classification Search**
USPC D6/514, 515, 516, 517, 640, 657, 659,
D6/660, 661, 662.1, 672, 675, 675.1;
D15/79, 81, 85, 88; D20/1, 4, 5;
D23/286; D24/227; D27/189

CPC A47B 47/024; A47B 88/48; A47B 88/90;
A47F 3/0413; A47F 5/116; A47F 5/0018;
Y10T 428/24694; F25D 21/14; F25D
23/069; F25D 2400/10

See application file for complete search history.

(56) **References Cited**

U.S. PATENT DOCUMENTS

D198,351 S * 6/1964 MacVicer D6/661
D515,849 S * 2/2006 Niu D6/661
D519,299 S * 4/2006 Boudreau D6/657
D560,077 S * 1/2008 Zambelli D6/661
D605,424 S * 12/2009 Lovegrove D6/671
D625,123 S * 10/2010 Zambelli D6/661

D644,853 S * 9/2011 Becker D6/661
D663,139 S * 7/2012 Zambelli D6/661
D669,704 S * 10/2012 Zambelli D6/657
D687,250 S * 8/2013 Weatherly D6/661
D718,955 S * 12/2014 Helser D6/657
D747,123 S * 1/2016 Zambelli D6/660
D793,776 S * 8/2017 Davis D6/675

OTHER PUBLICATIONS

“Contemporary TV Stand Design Ideas for Living Room” Aug. 29, 2016, yuyek.com, site visited Dec. 28, 2017 <<http://www.yuyek.com/contemporary-tv-stand-design-ideas-for-living-room/>> (Year: 2016).*

* cited by examiner

Primary Examiner — Kevin K Rudzinski

Assistant Examiner — Paul D Bohannon

(74) *Attorney, Agent, or Firm* — Dykema Gossett PLLC

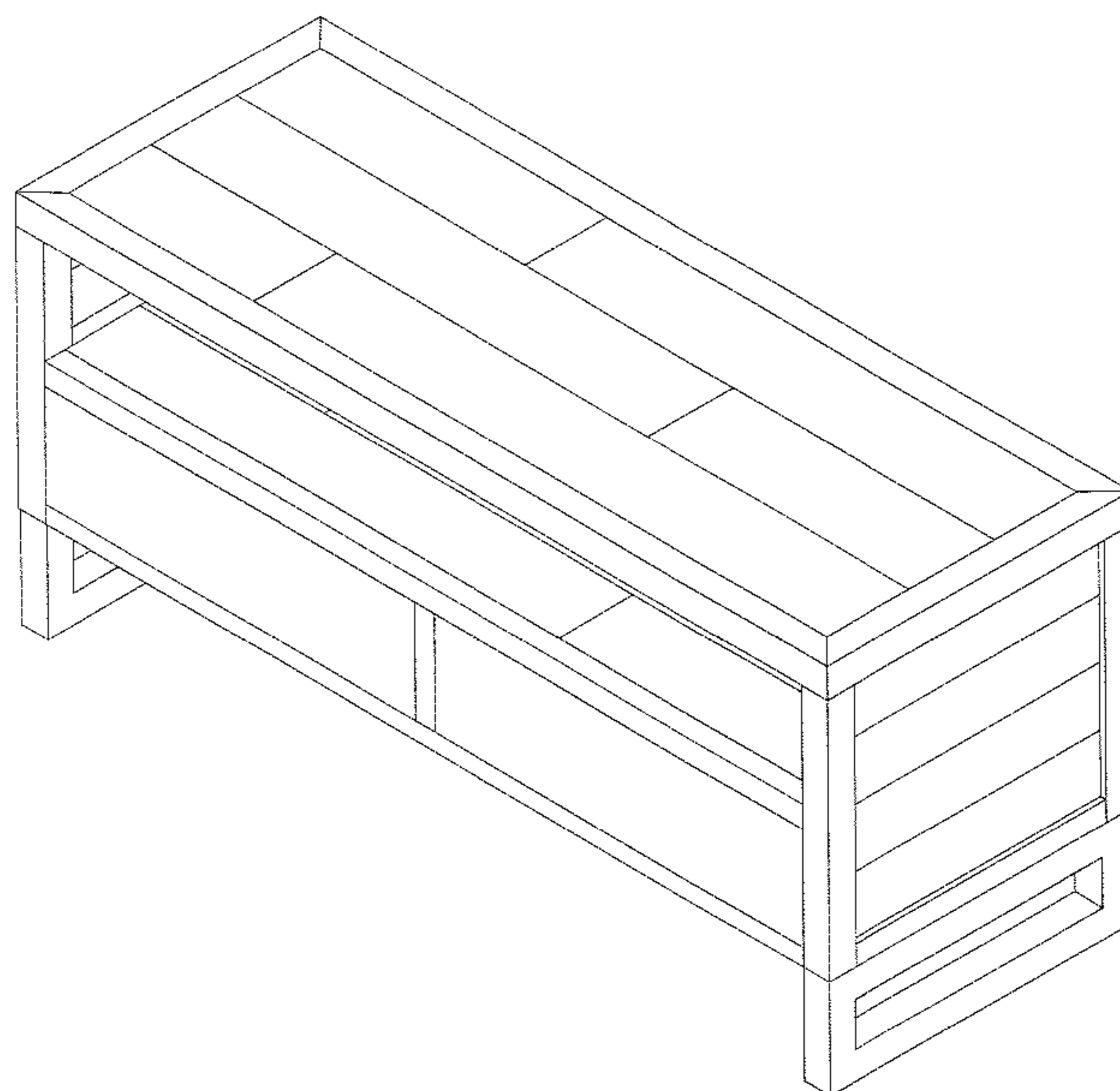
(57) **CLAIM**

The ornamental design for a cabinet, as shown and described.

DESCRIPTION

FIG. 1 is an elevational front view of a cabinet showing my new and ornamental design,
FIG. 2 is an elevational rear view thereof,
FIG. 3 is an elevational right side view thereof,
FIG. 4 is an elevational left side view thereof,
FIG. 5 is a top plan view thereof,
FIG. 6 is a bottom plan view thereof,
FIG. 7 is a perspective right front view thereof; and,
FIG. 8 is a perspective left front view thereof.
The broken lines in FIG. 6 represent features of the cabinet which form no part of the claimed design.

1 Claim, 8 Drawing Sheets



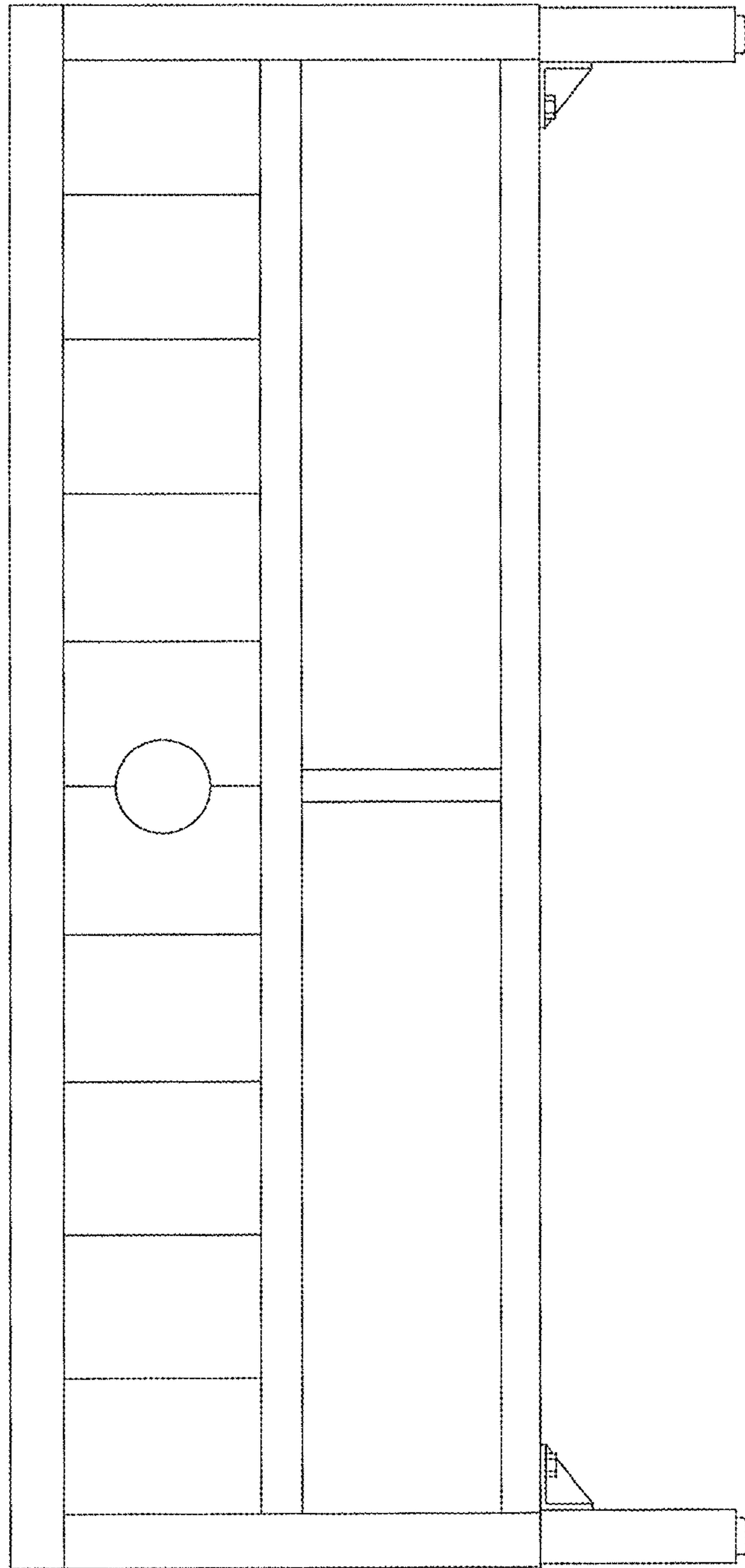


FIG. 1

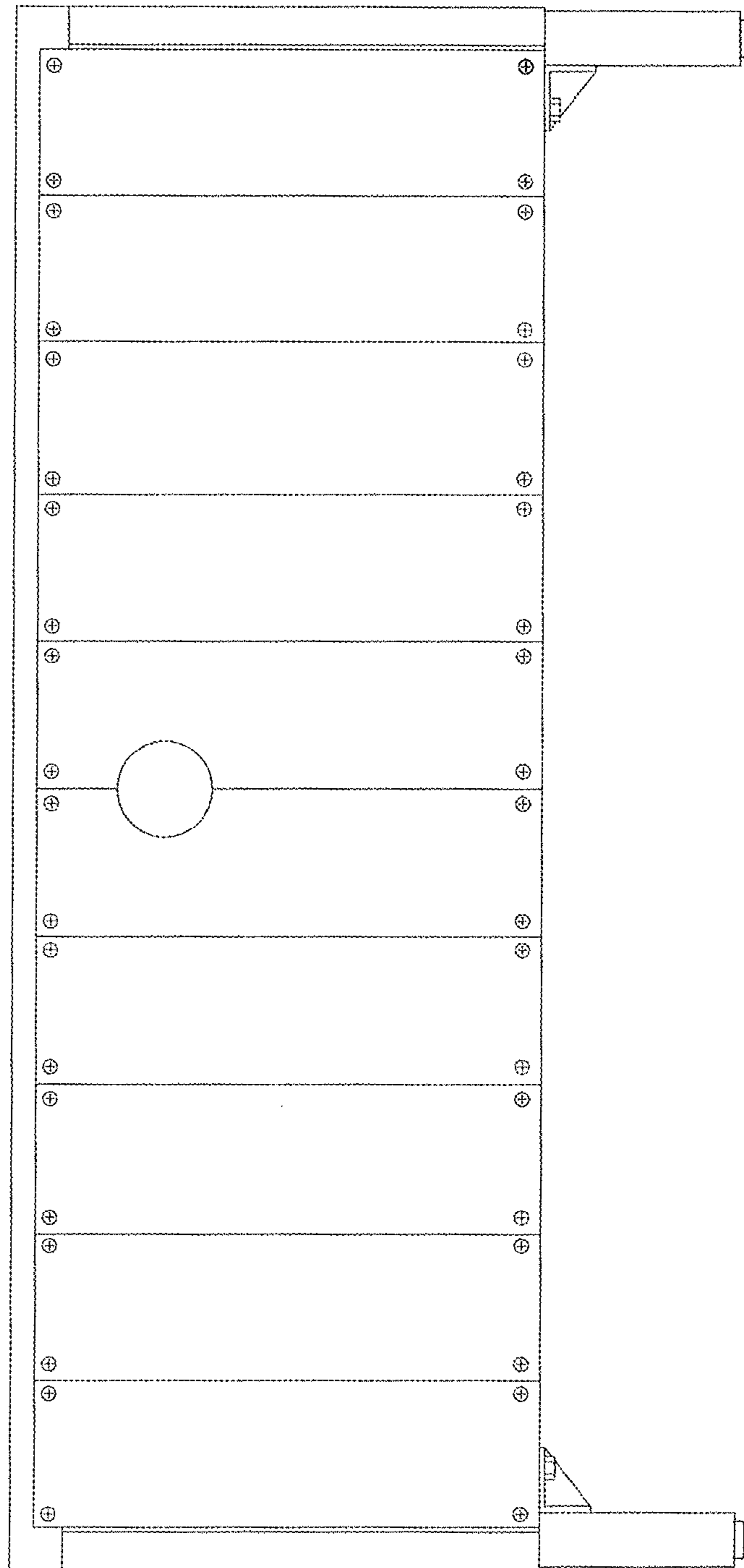


FIG. 2

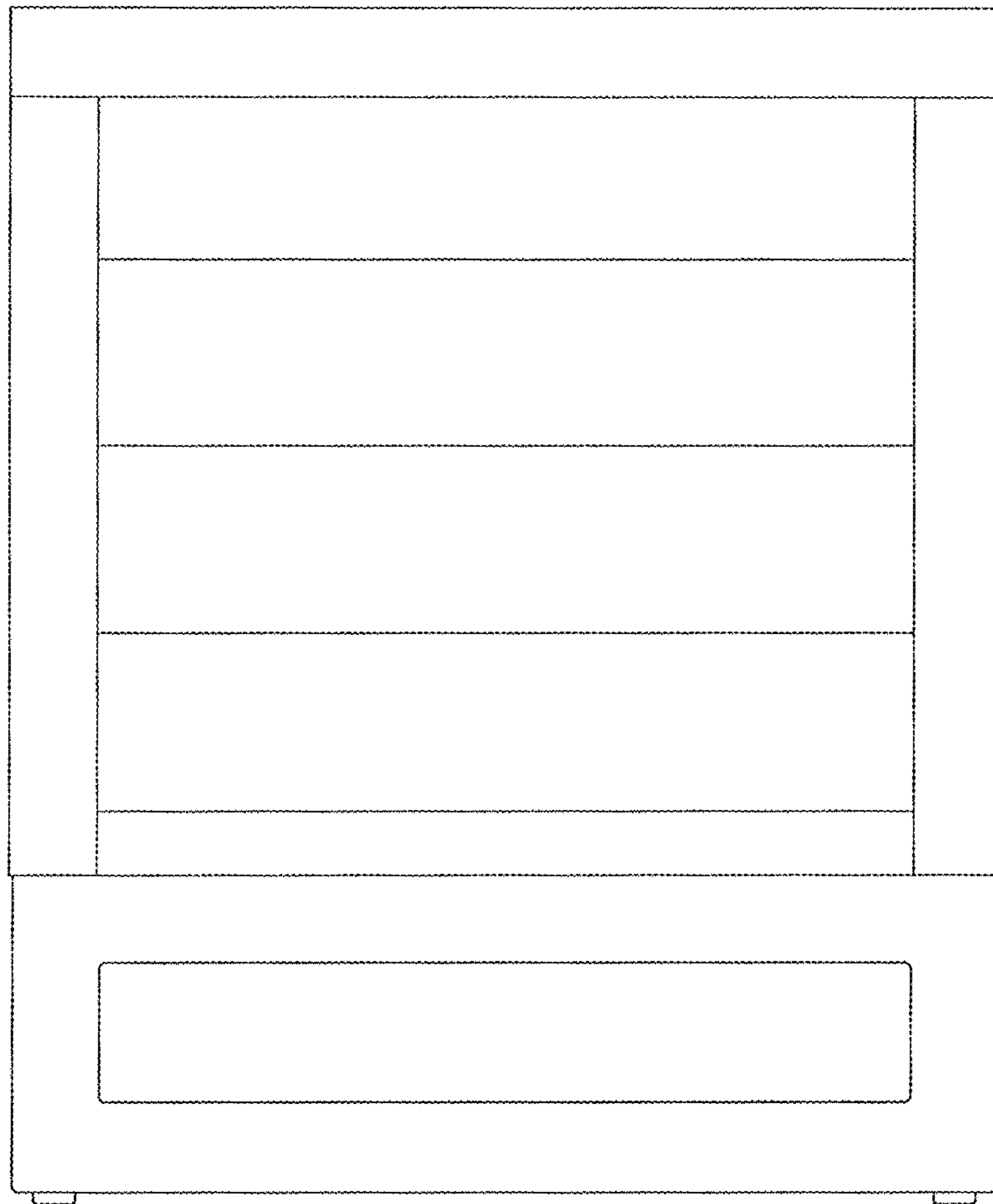


FIG. 3

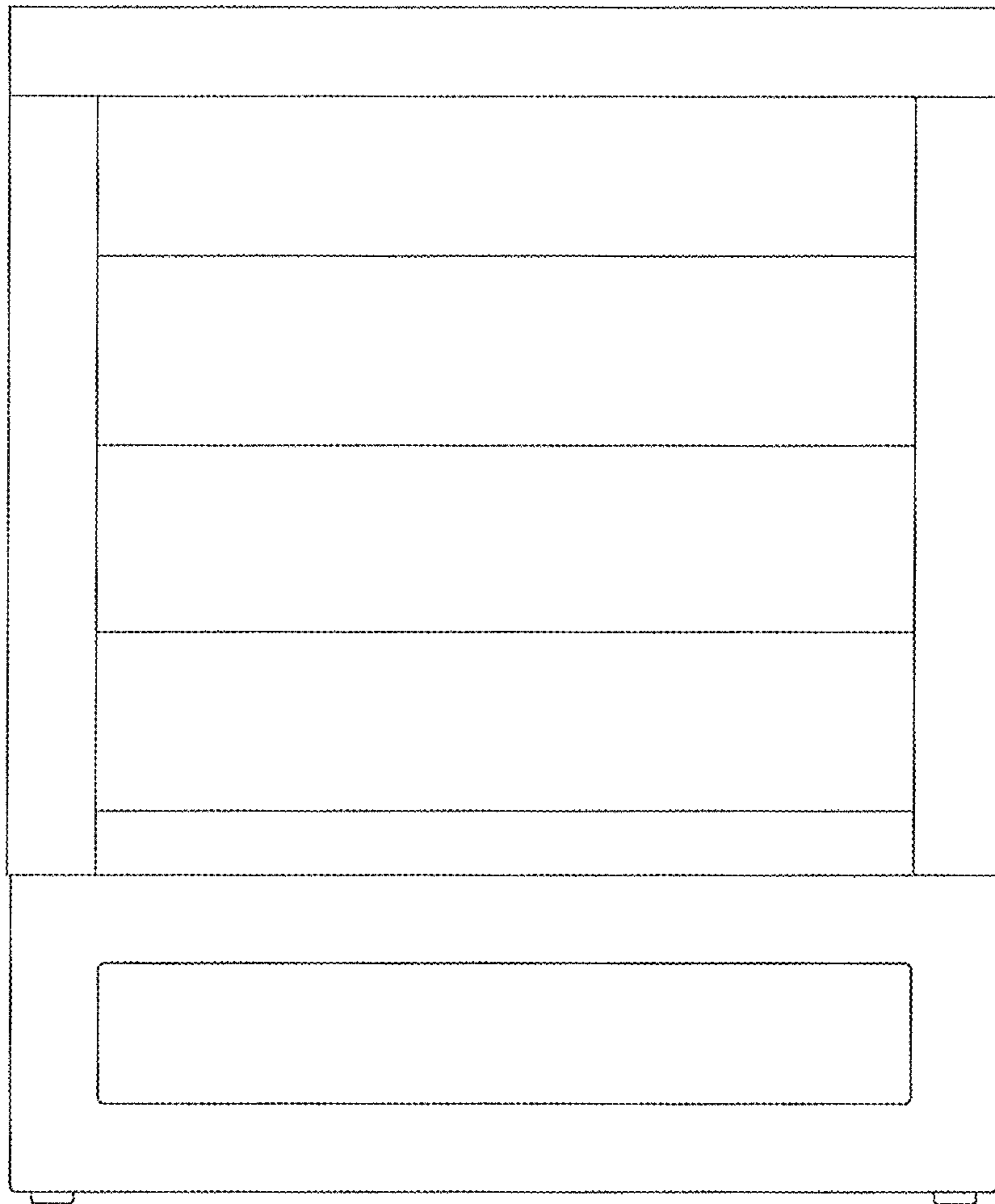


FIG. 4

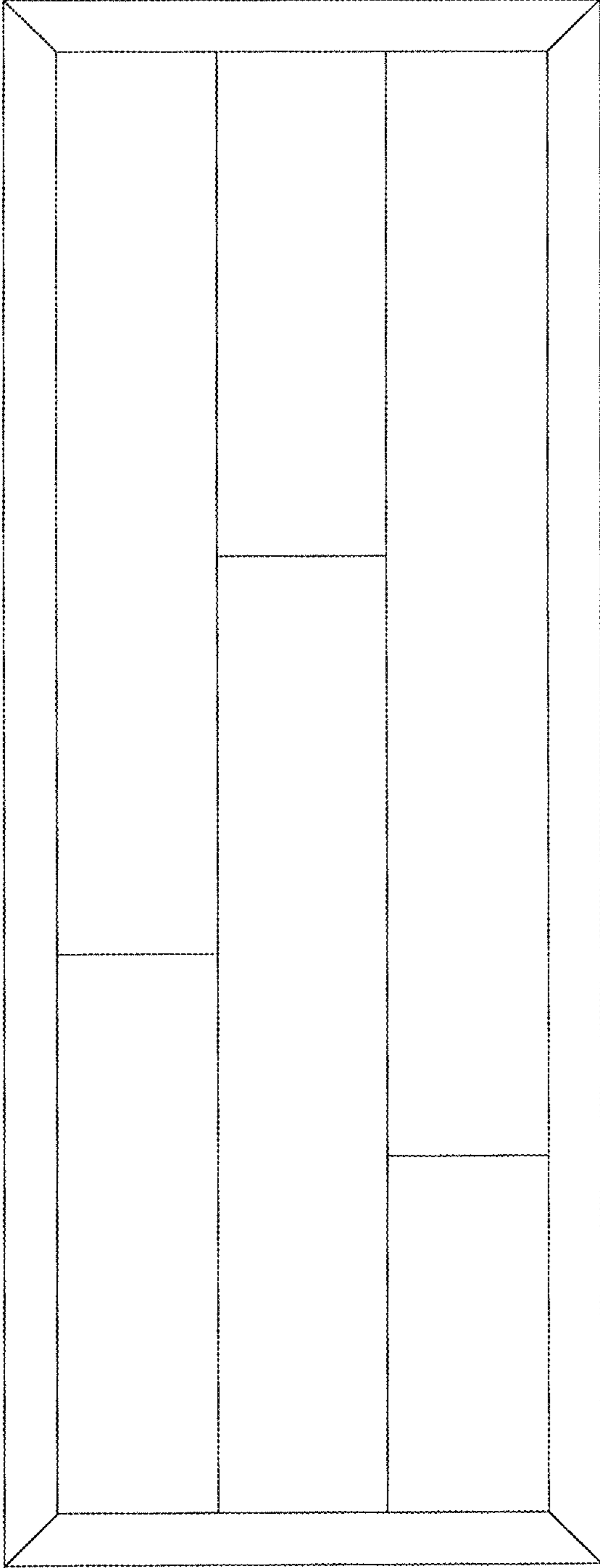


FIG. 5

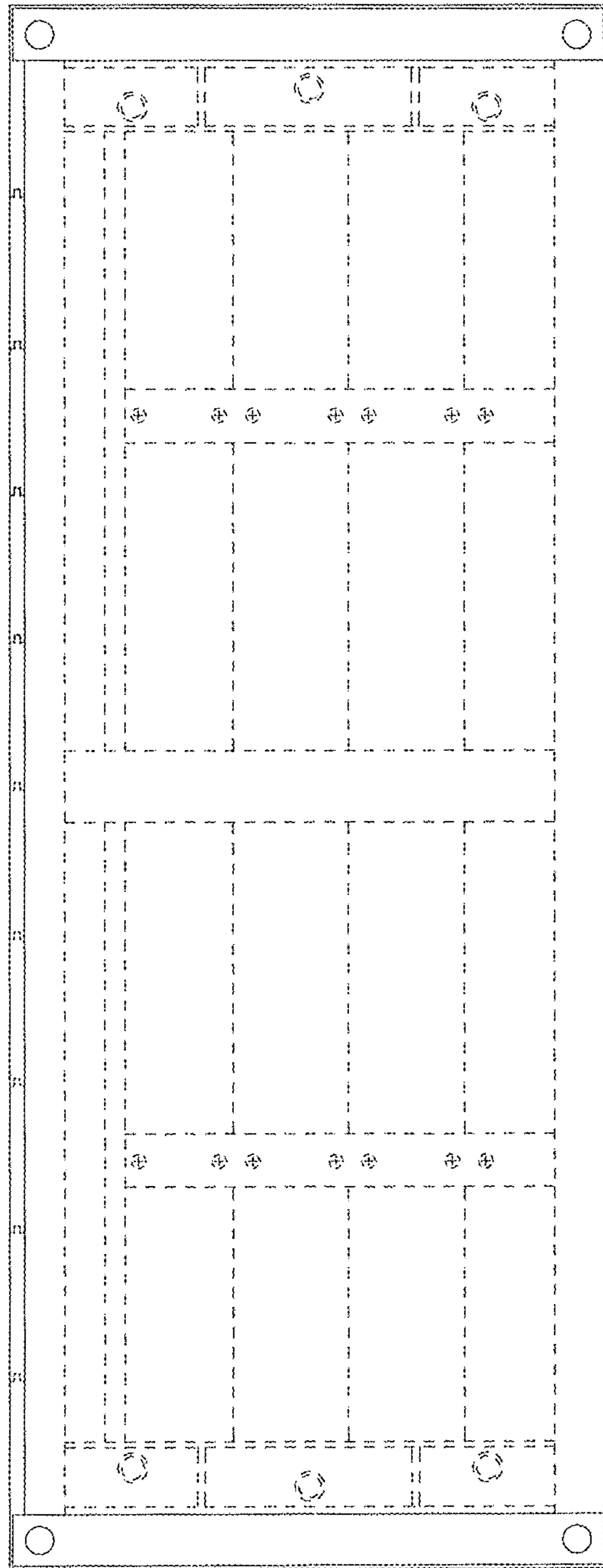


FIG. 6

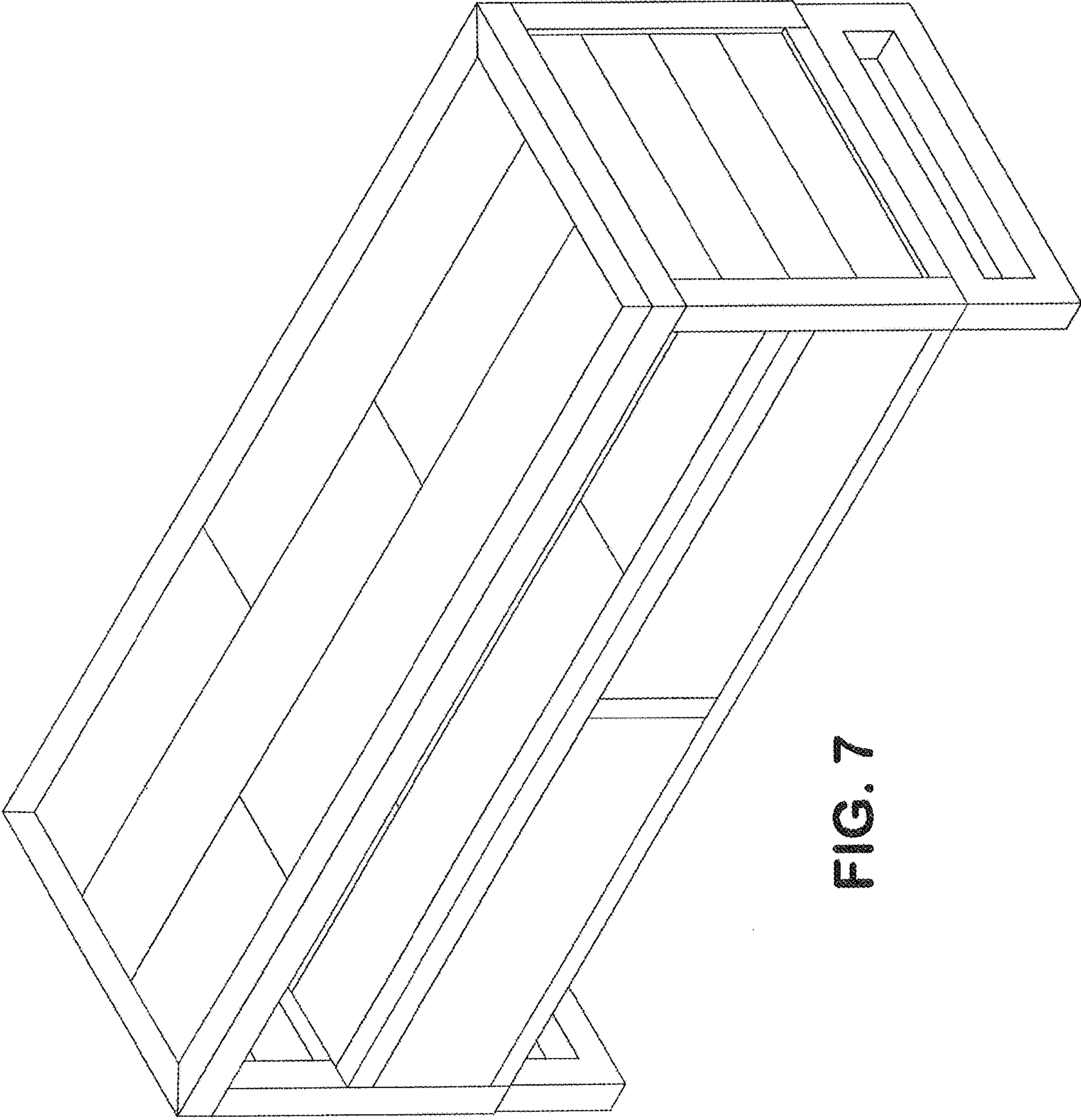


FIG. 7

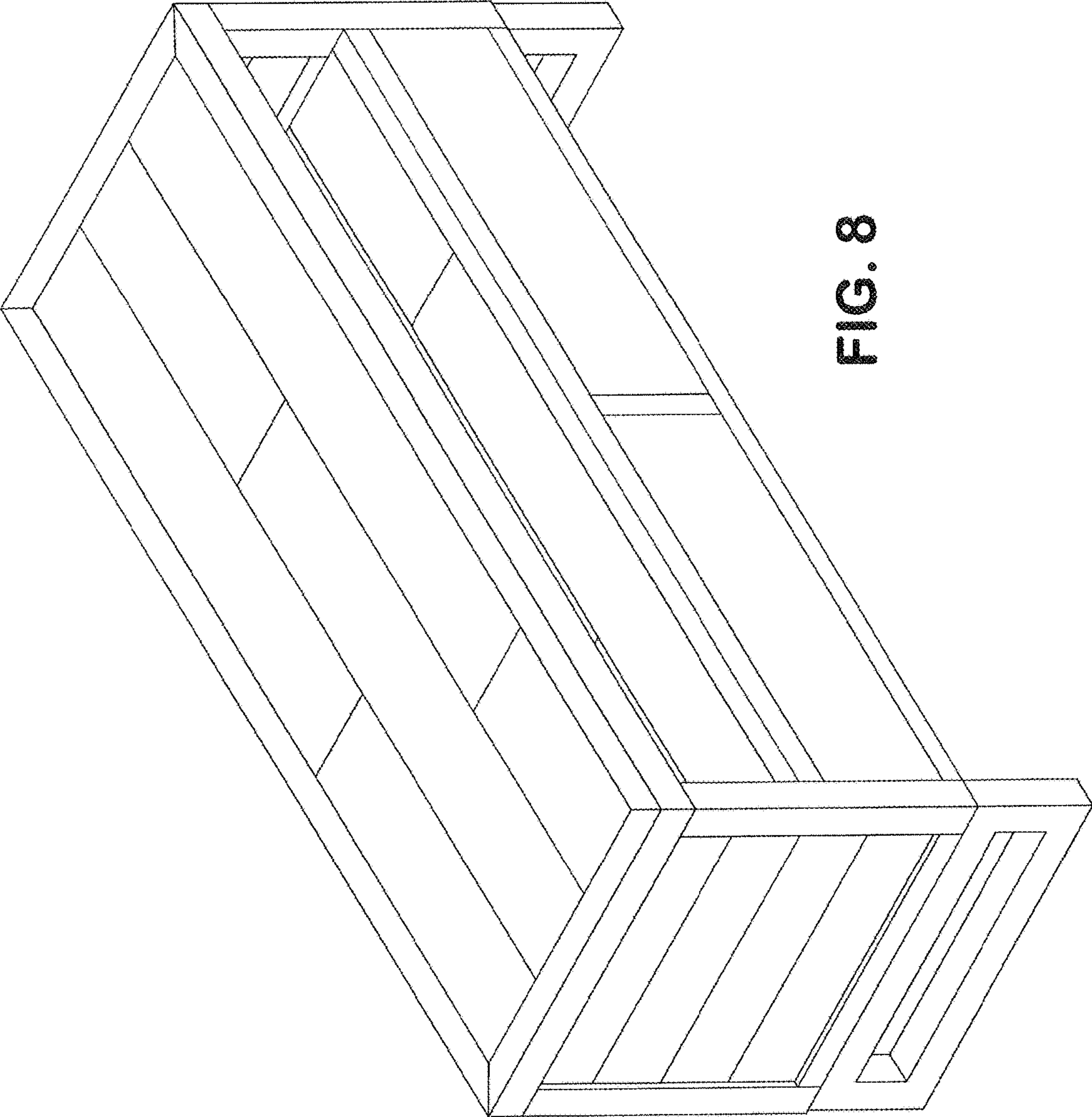


FIG. 8