



US00D820008S

(12) **United States Design Patent**  
**Burden**

(10) **Patent No.:** **US D820,008 S**

(45) **Date of Patent:** **\*\* Jun. 12, 2018**

(54) **CABINET**

(71) Applicant: **Ian James Burden**, Sovereign Islands  
(AU)

(72) Inventor: **Ian James Burden**, Sovereign Islands  
(AU)

(\*\*) Term: **15 Years**

(21) Appl. No.: **29/587,446**

(22) Filed: **Dec. 13, 2016**

(51) **LOC (11) Cl.** ..... **06-04**

(52) **U.S. Cl.**  
USPC ..... **D6/661**

(58) **Field of Classification Search**  
USPC ..... D6/514, 515, 516, 517, 640, 657, 659,  
D6/660, 661, 662.1, 672, 675, 675.1;  
D15/79, 81, 85, 88; D20/1, 4, 5;  
D23/286; D24/227; D27/189  
CPC ..... A47B 47/024; A47B 88/48; A47B 88/90;  
A47F 3/0413; A47F 5/116; A47F 5/0018;  
Y10T 428/24694; F25D 21/14; F25D  
23/069; F25D 2400/10  
See application file for complete search history.

(56) **References Cited**

U.S. PATENT DOCUMENTS

D126,207 S *	4/1941	Johnston et al.	.....	D6/661
D200,813 S *	4/1965	Cripe	.....	D6/675
D255,631 S *	7/1980	Sniderman	.....	D6/675
D265,316 S *	7/1982	Trulaske	.....	D15/85
D273,298 S *	4/1984	Trulaske	.....	D15/81
D345,872 S *	4/1994	Keller	.....	D6/661

D387,221 S *	12/1997	Keller	.....	D6/661
D400,731 S *	11/1998	Kasuli	.....	D27/189
D445,601 S *	7/2001	O'Hare	.....	D6/661
D450,488 S *	11/2001	Stone	.....	D6/675.1
D502,340 S *	3/2005	Juneau	.....	D6/661
D734,068 S *	7/2015	Dworman	.....	D6/662.1
D757,127 S *	5/2016	Rautavuori	.....	D15/79

\* cited by examiner

*Primary Examiner* — Kevin K Rudzinski

*Assistant Examiner* — Paul D Bohannon

(74) *Attorney, Agent, or Firm* — Dykema Gossett PLLC

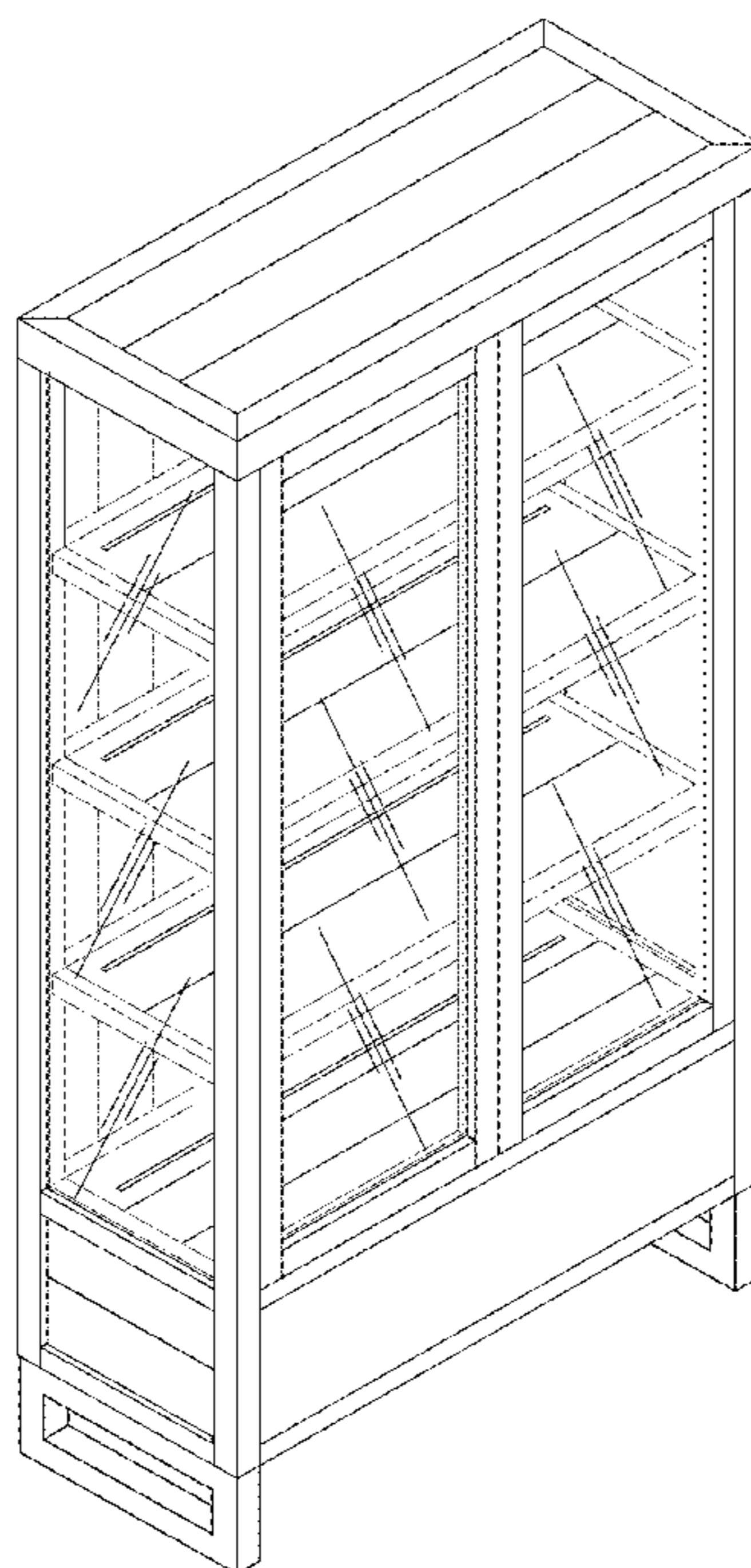
(57) **CLAIM**

The ornamental design for a cabinet, as shown and described.

**DESCRIPTION**

FIG. 1 is an elevational front view of a cabinet showing my new and ornamental design,  
FIG. 2 is an elevational rear view thereof,  
FIG. 3 is an elevational right side view thereof,  
FIG. 4 is an elevational left side view thereof,  
FIG. 5 is a top plan view thereof,  
FIG. 6 is a bottom plan view thereof,  
FIG. 7 is a perspective right front view thereof,  
FIG. 8 is a perspective left front view thereof,  
FIG. 9 is a perspective right rear view thereof; and,  
FIG. 10 is a perspective left rear view thereof.  
The broken line features shown in the figures illustrate portions of the cabinet and form no part of the claimed design.

**1 Claim, 10 Drawing Sheets**



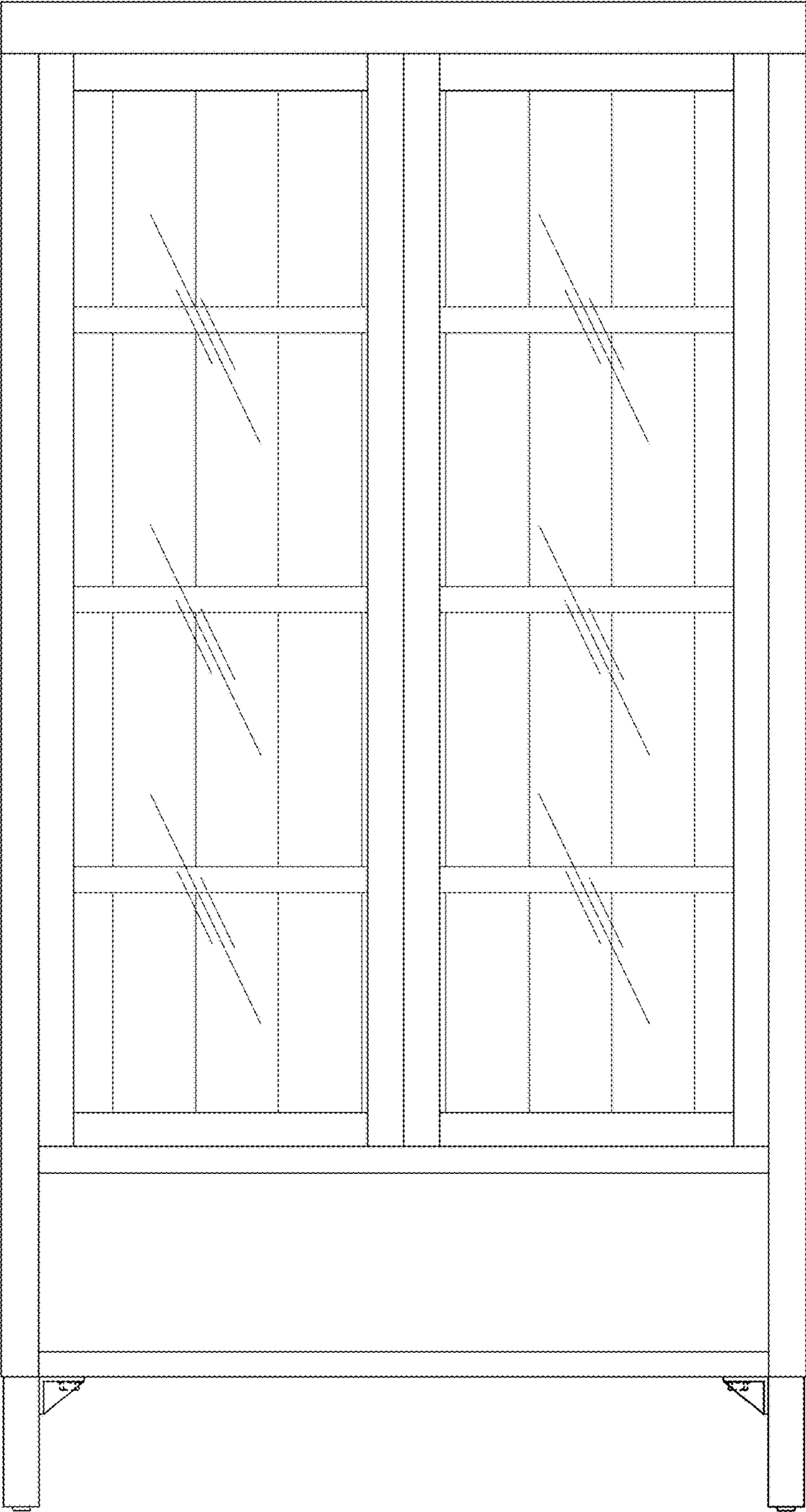


FIG. 1

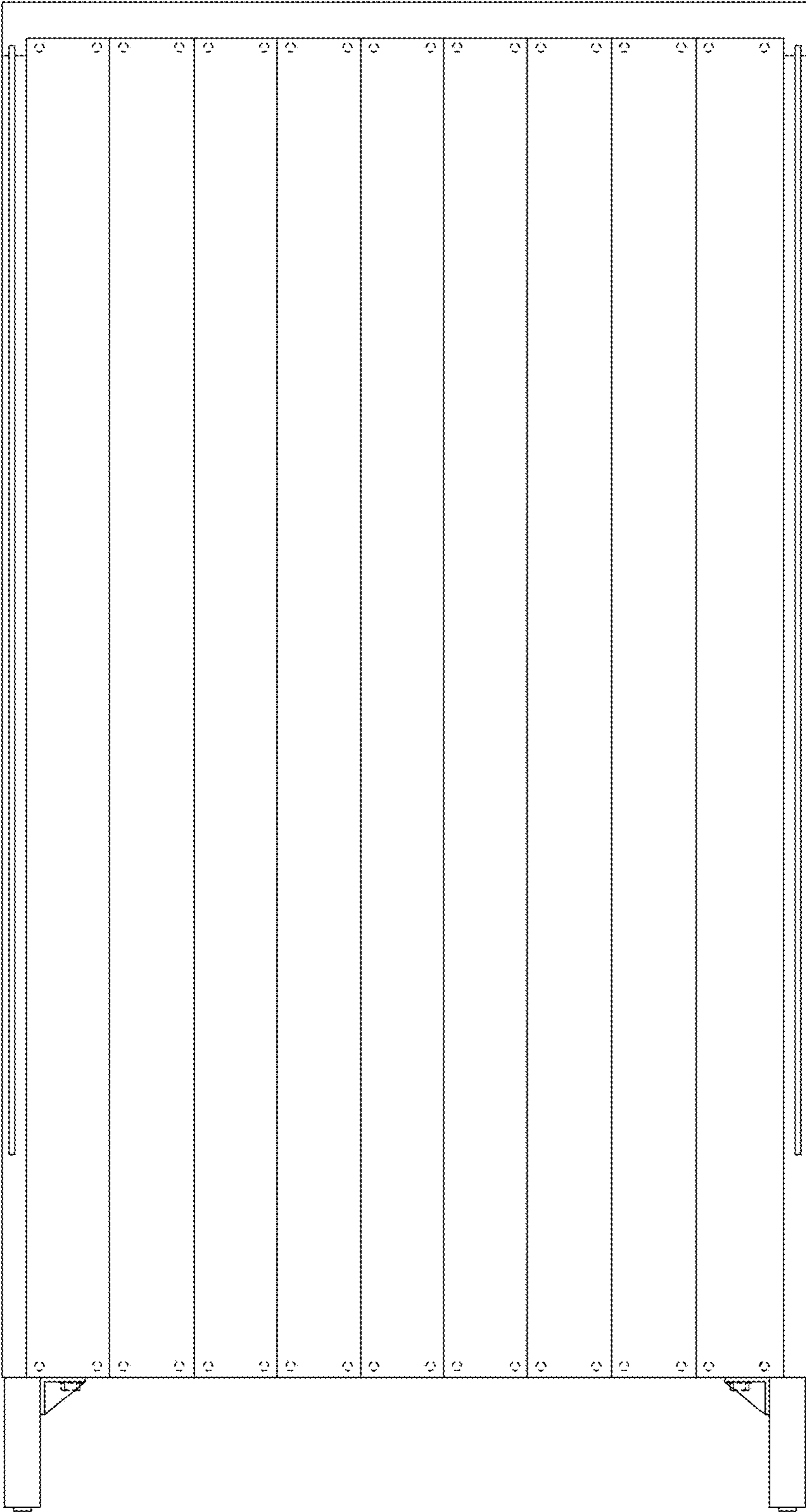
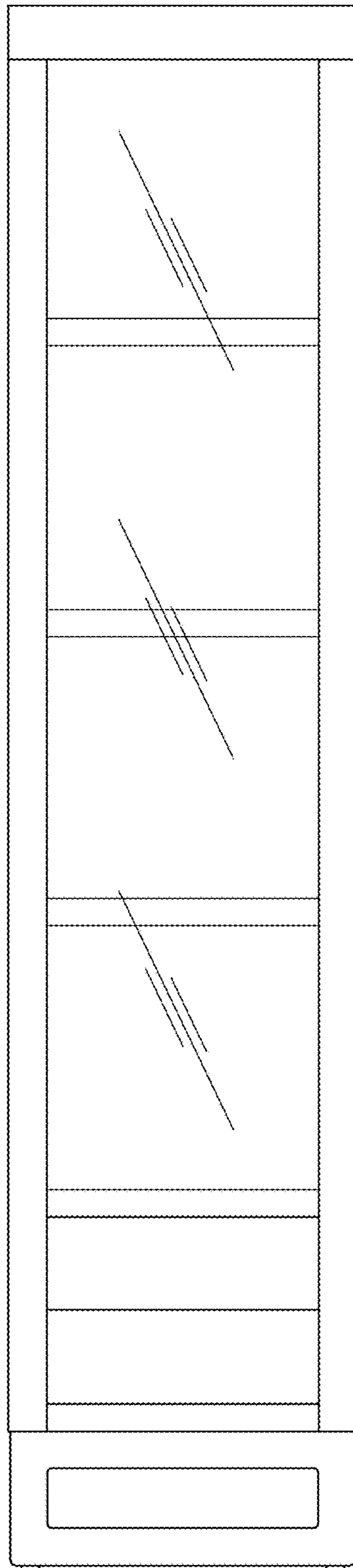
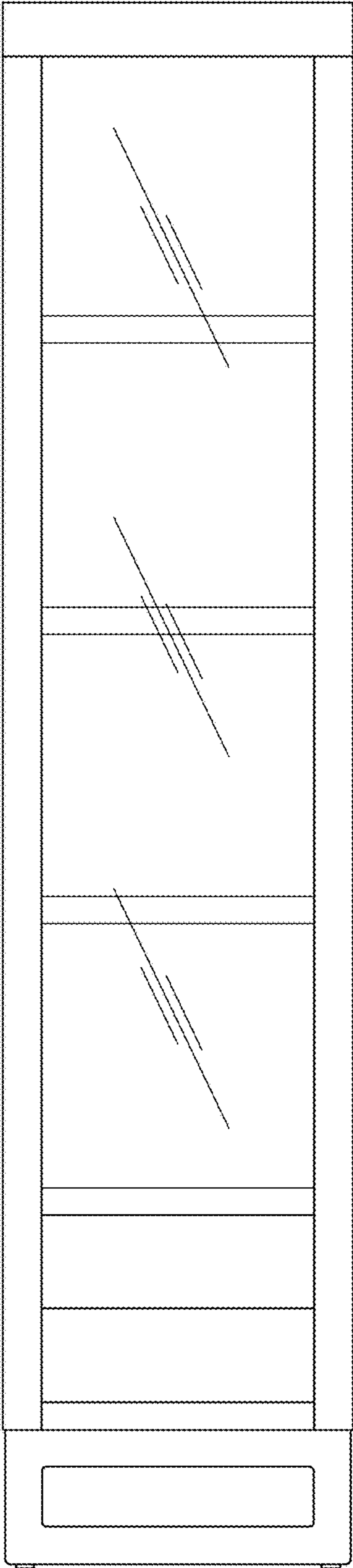


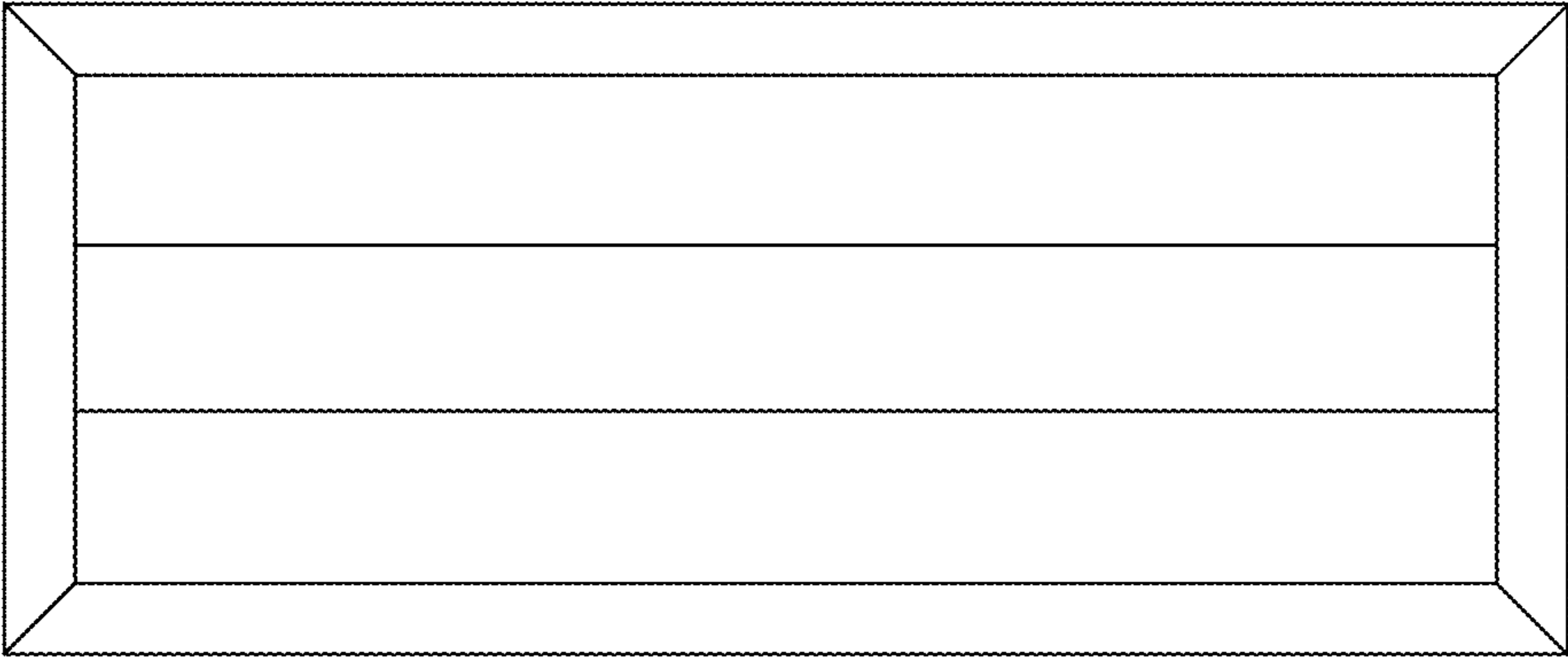
FIG. 2



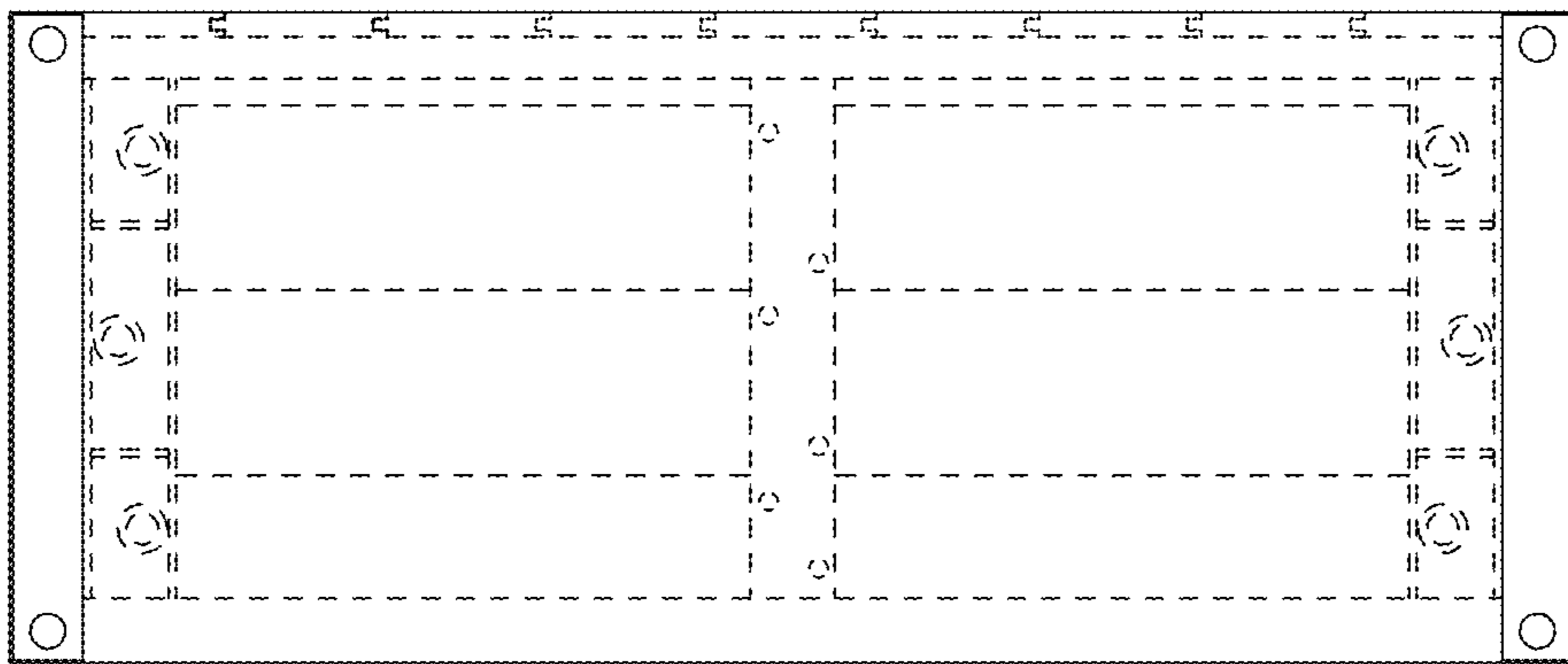
**FIG. 3**



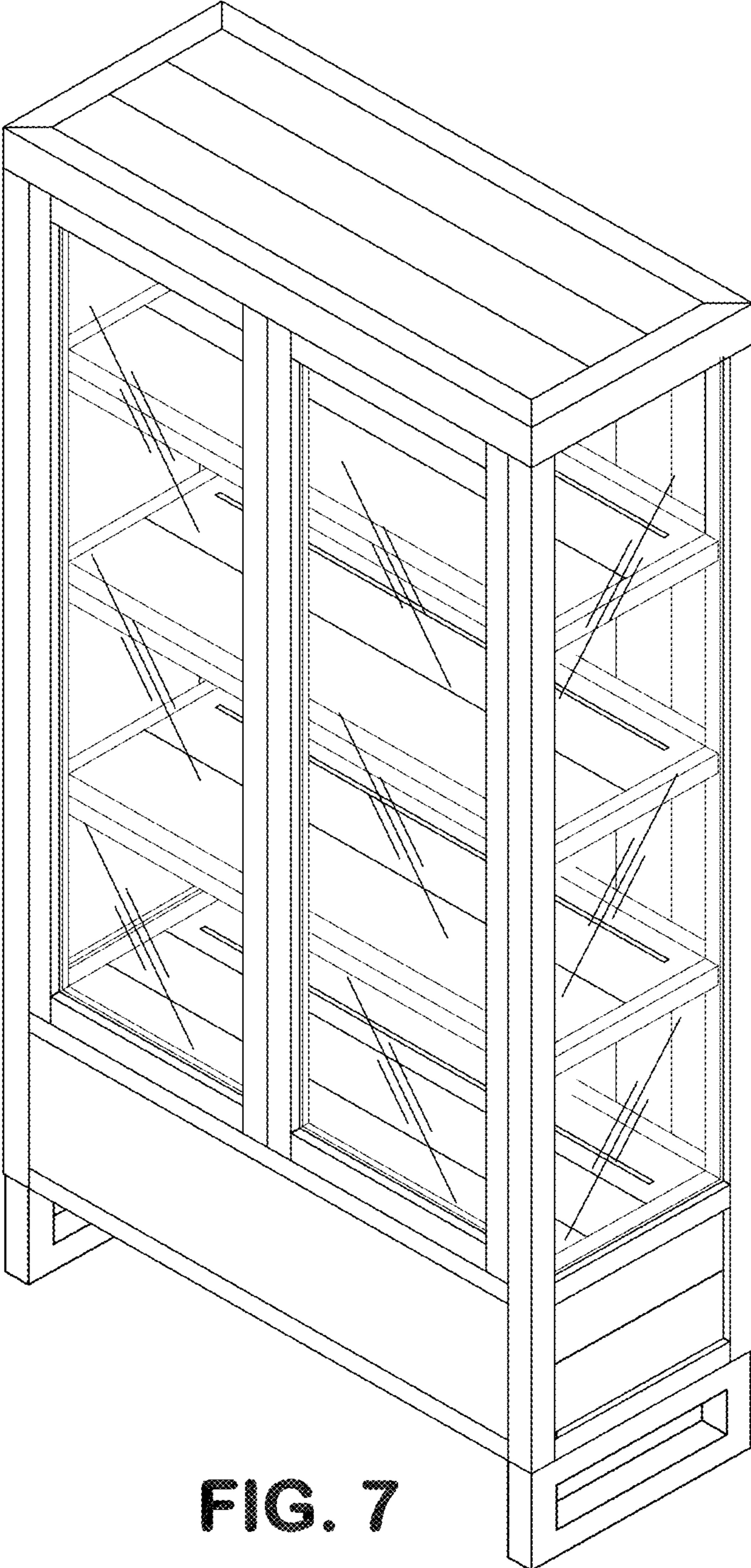
**FIG. 4**



**FIG. 5**

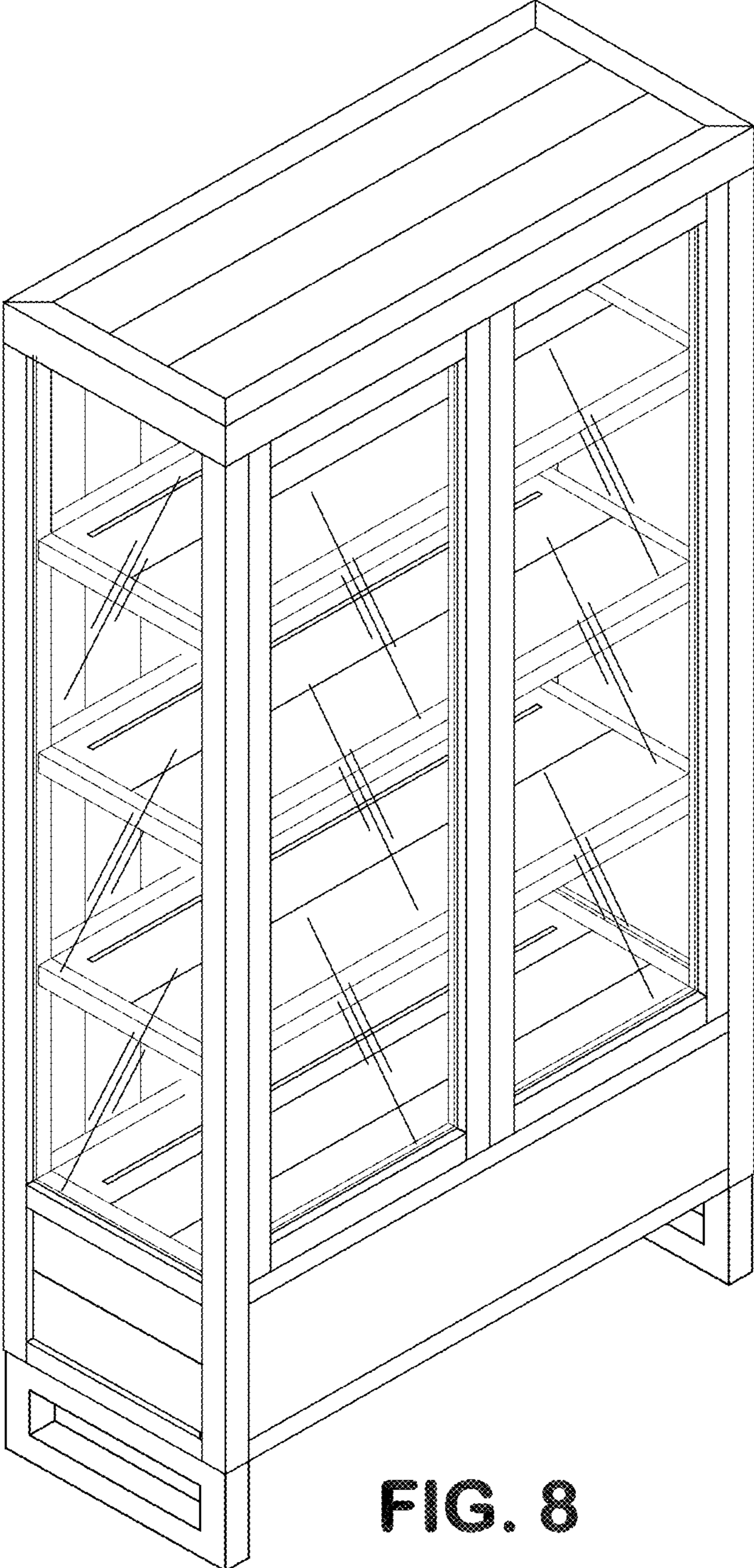


**FIG. 6**

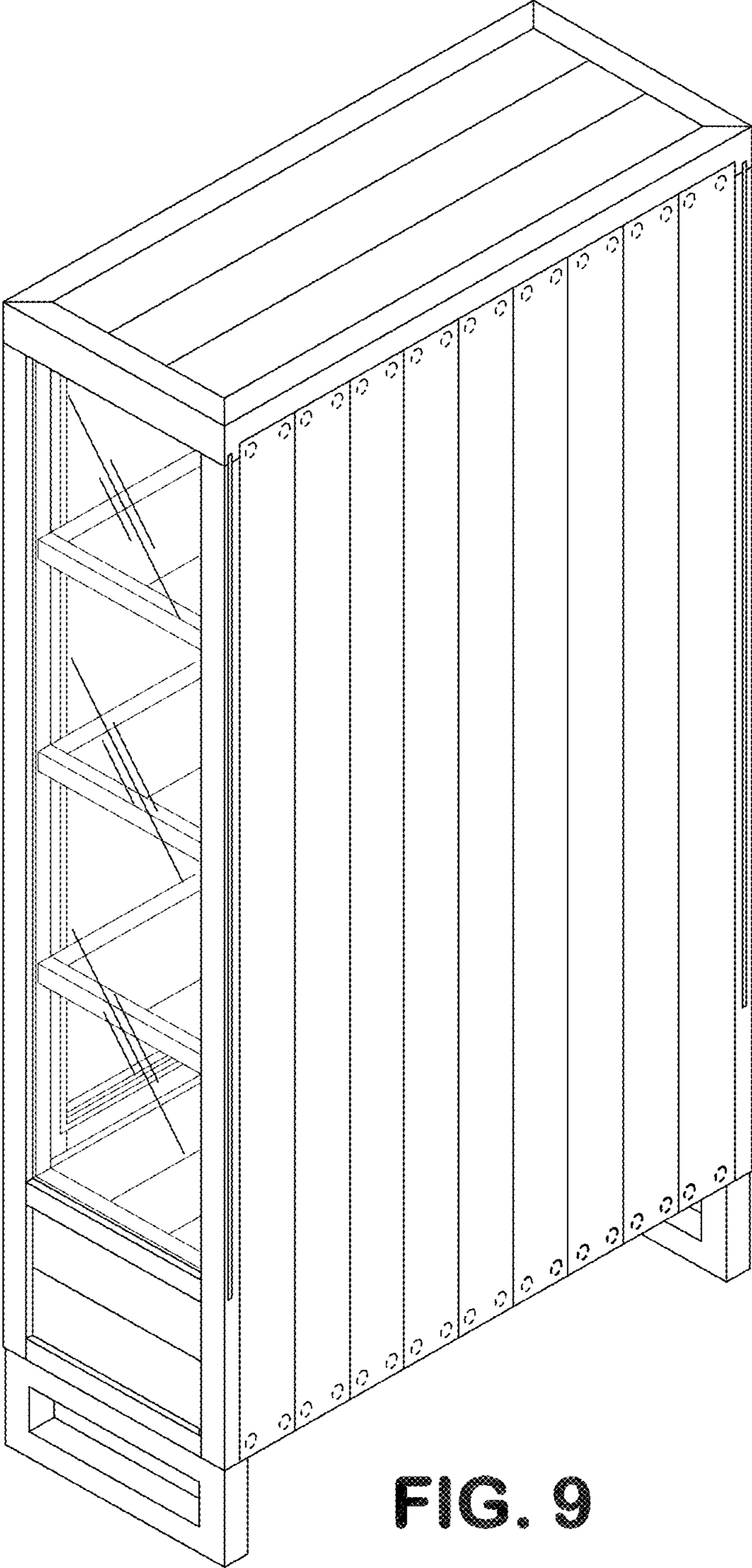


**FIG. 7**

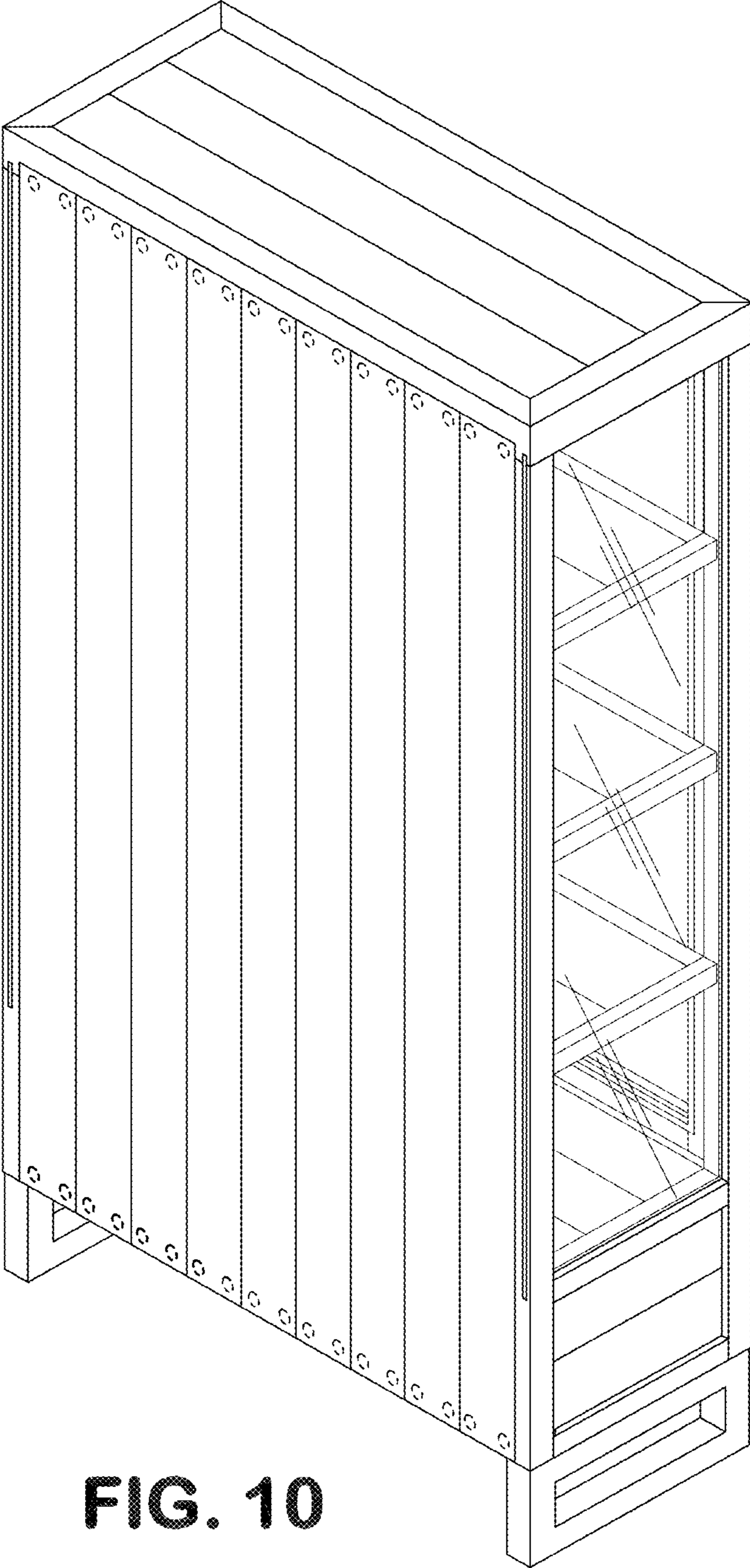




**FIG. 8**



**FIG. 9**



**FIG. 10**

UNITED STATES PATENT AND TRADEMARK OFFICE  
**CERTIFICATE OF CORRECTION**

PATENT NO. : D820,008 S  
APPLICATION NO. : 29/587446  
DATED : June 12, 2018  
INVENTOR(S) : Burden

Page 1 of 1

It is certified that error appears in the above-identified patent and that said Letters Patent is hereby corrected as shown below:

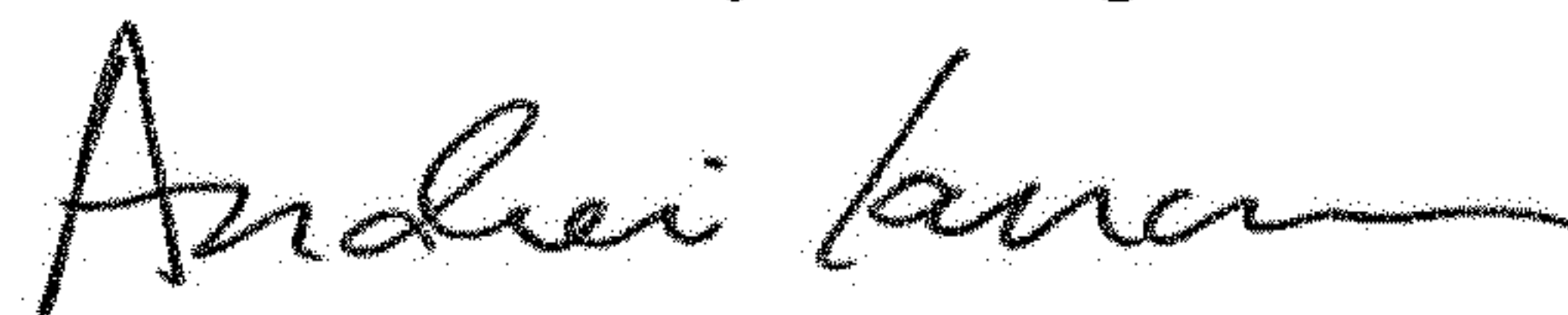
On the Title Page

Add:

--(30) Foreign Application Priority Data

Sept. 14, 2016 (AU) .....201615237--

Signed and Sealed this  
Fourteenth Day of August, 2018



Andrei Iancu  
*Director of the United States Patent and Trademark Office*