



US00D820000S

(12) **United States Design Patent**  
**Watson**

(10) **Patent No.:** **US D820,000 S**  
(45) **Date of Patent:** **\*\* Jun. 12, 2018**

(54) **RAZOR STAND**

(71) Applicant: **The Gillette Company LLC**, Boston, MA (US)

(72) Inventor: **Brian Patrick Watson**, Marshfield, MA (US)

(73) Assignee: **The Gillette Company LLC**, Boston, MA (US)

(\*\*) Term: **15 Years**

(21) Appl. No.: **29/594,308**

(22) Filed: **Feb. 17, 2017**

(51) **LOC (11) Cl.** ..... **28-03**

(52) **U.S. Cl.**  
USPC ..... **D6/526**

(58) **Field of Classification Search**  
USPC ..... D6/526, 527, 512, 524, 528, 534, 540;  
D3/201, 205; D9/737, 748, 749, 448;  
206/244, 352, 361, 362.1, 362.2, 362.3,  
206/208, 209, 228, 252, 354-360, 493,  
206/775; 30/42-46, 514; 211/13.1, 66,  
211/70.6, 86.01, 87.01, 89.01; 248/127,  
248/176.1, 200, 205.5, 309.1, 314;  
D16/202, 219, 242; D13/108; D10/70;  
D24/186

CPC . B26B 19/3806; B26B 19/3853; B26B 21/52;  
B26B 21/10; B26B 21/4006; B26B  
21/522; B26B 21/40; B26B 21/36; B26B  
19/14; B26B 19/38; B26B 19/382; B26B  
19/3813; B65D 73/0064; B65D 73/0014;  
B65D 77/26; B65D 85/1081; B65D  
5/5016; B65D 71/70; B65D 25/106;  
B65D 25/22

See application file for complete search history.

(56) **References Cited**

**U.S. PATENT DOCUMENTS**

D529,533 S \* 10/2006 Oh ..... D16/242  
D544,264 S 6/2007 Gallagher

D557,320 S \* 12/2007 Fisher ..... D16/219  
D557,321 S \* 12/2007 Fisher ..... D16/219  
D564,272 S \* 3/2008 Quach ..... D6/526  
D572,063 S 7/2008 Provost et al.  
D576,436 S \* 9/2008 Provost ..... D6/526  
D577,998 S \* 10/2008 Decottignies ..... D9/448  
D634,955 S 3/2011 Cavazos Jimenez et al.  
D657,740 S \* 4/2012 Prat-Pfister ..... D13/108  
D675,048 S 1/2013 Coresh  
D677,090 S 3/2013 Floyd et al.  
D677,503 S 3/2013 Floyd et al.  
D695,544 S 12/2013 Floyd et al.  
D695,545 S 12/2013 Floyd et al.  
D699,473 S 2/2014 Szczepanowski et al.  
D745,916 S \* 12/2015 Oh ..... D16/134  
D776,180 S \* 1/2017 Fiedler ..... D16/202

(Continued)

*Primary Examiner* — Wan Laymon

*Assistant Examiner* — Mark Booker

(74) *Attorney, Agent, or Firm* — Kevin C. Johnson;  
Steven W. Miller

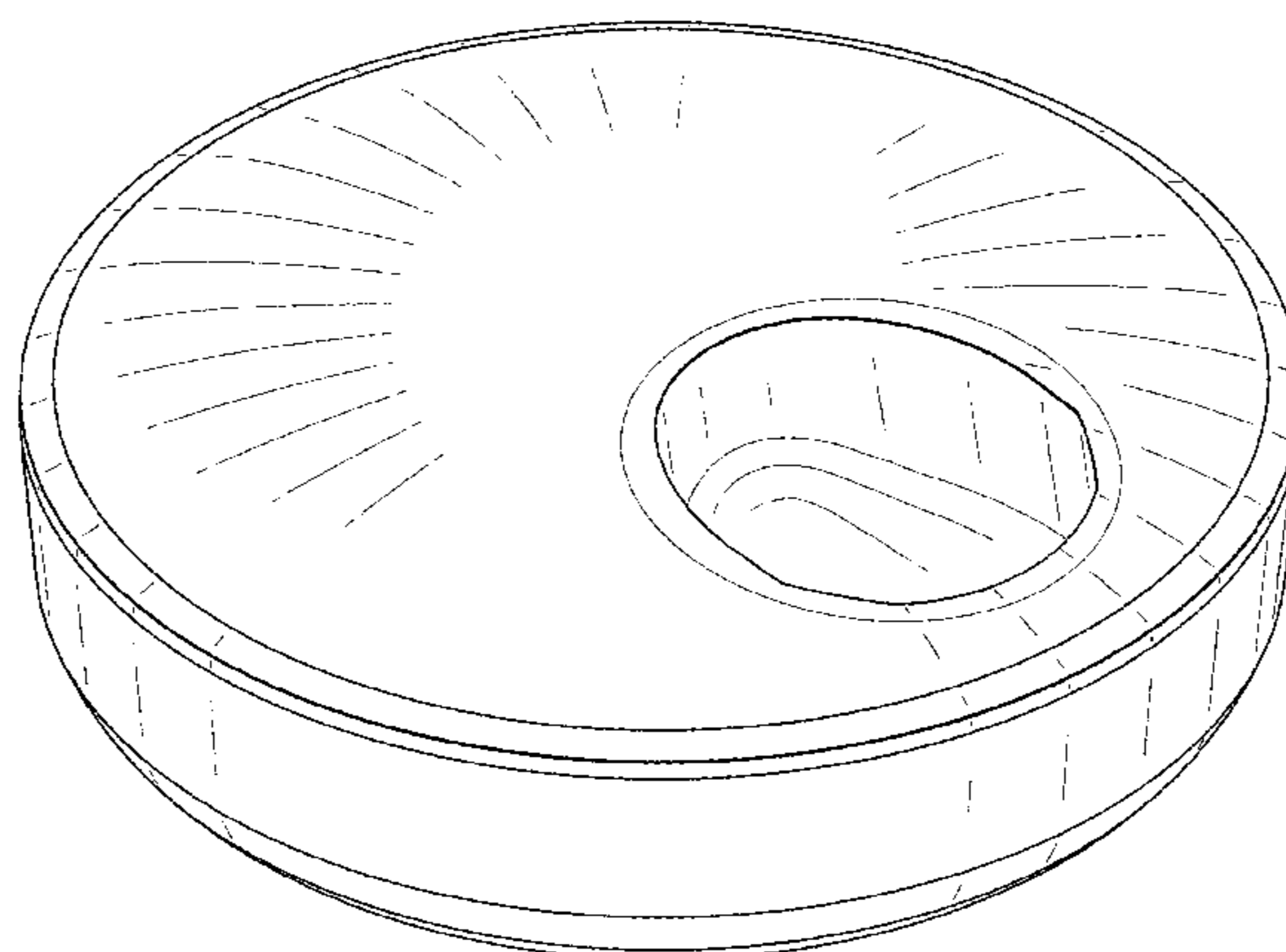
(57) **CLAIM**

The ornamental design for a razor stand, as shown and described.

**DESCRIPTION**

FIG. 1 is a perspective view of a razor stand showing my new design;  
FIG. 2 is a front view thereof;  
FIG. 3 is a rear view thereof;  
FIG. 4 is a right side view thereof;  
FIG. 5 is a left side view thereof;  
FIG. 6 is a top view thereof;  
FIG. 7 is a bottom view thereof; and,  
FIG. 8 is another perspective view thereof.  
The broken lines are directed to the environment and are for illustrative purposes only and form no part of the claimed design.

**1 Claim, 6 Drawing Sheets**



(56)

**References Cited**

U.S. PATENT DOCUMENTS

D783,838 S \* 4/2017 Zhao ..... D24/186  
D790,372 S \* 6/2017 Daoura ..... 10/104.1

\* cited by examiner

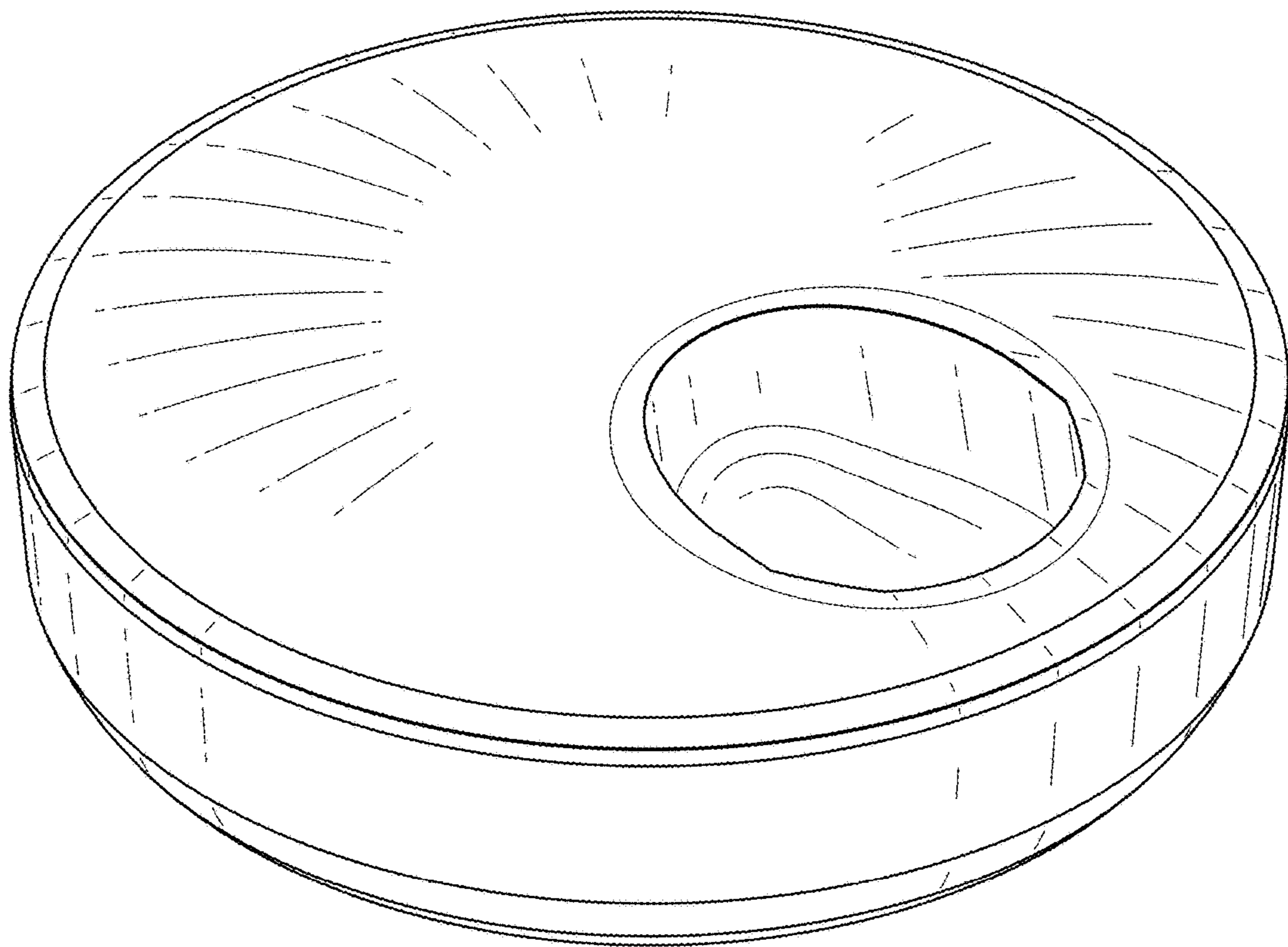


FIG. 1

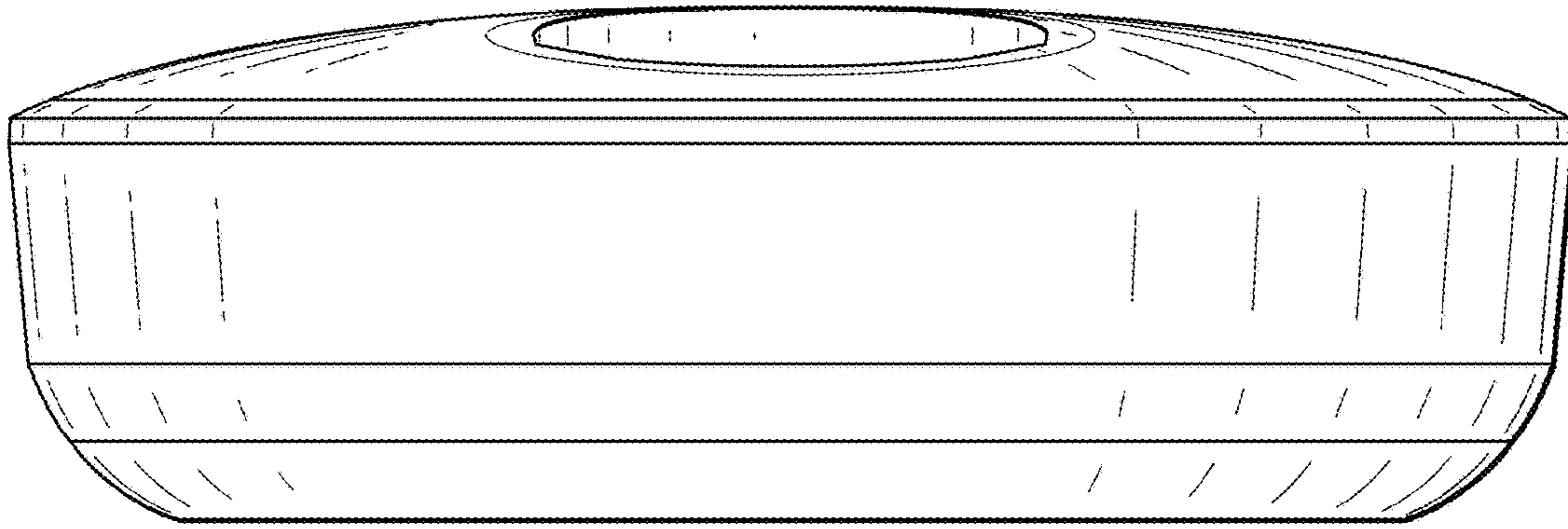


FIG. 2

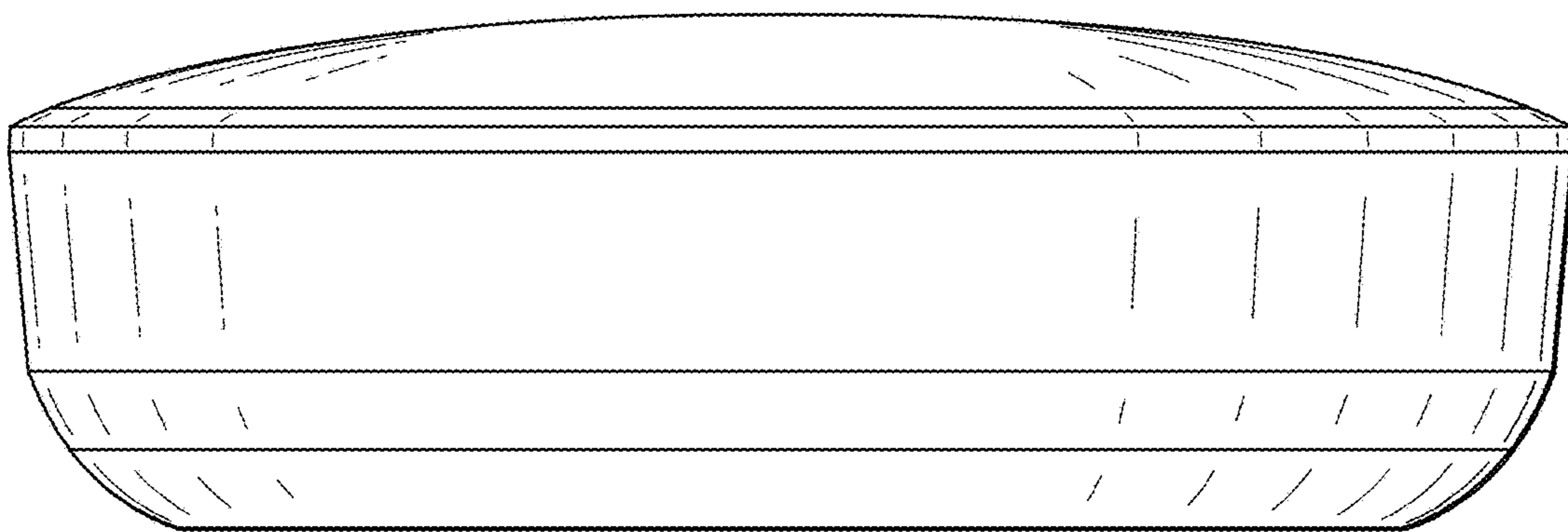


FIG. 3

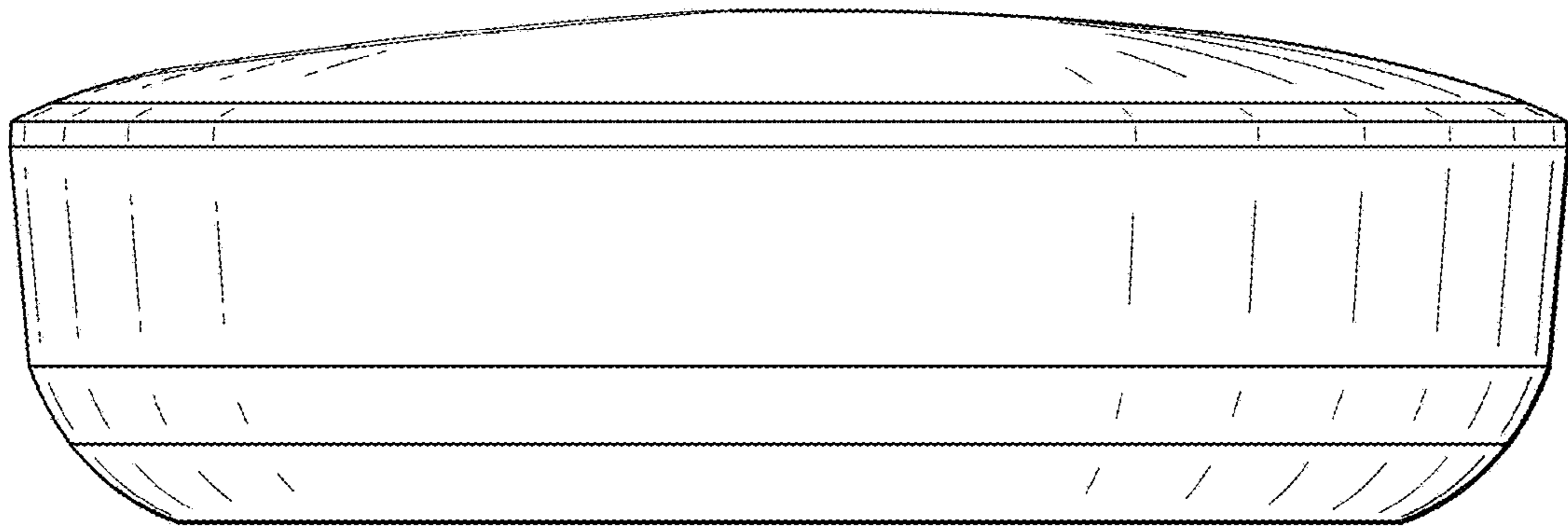


FIG. 4

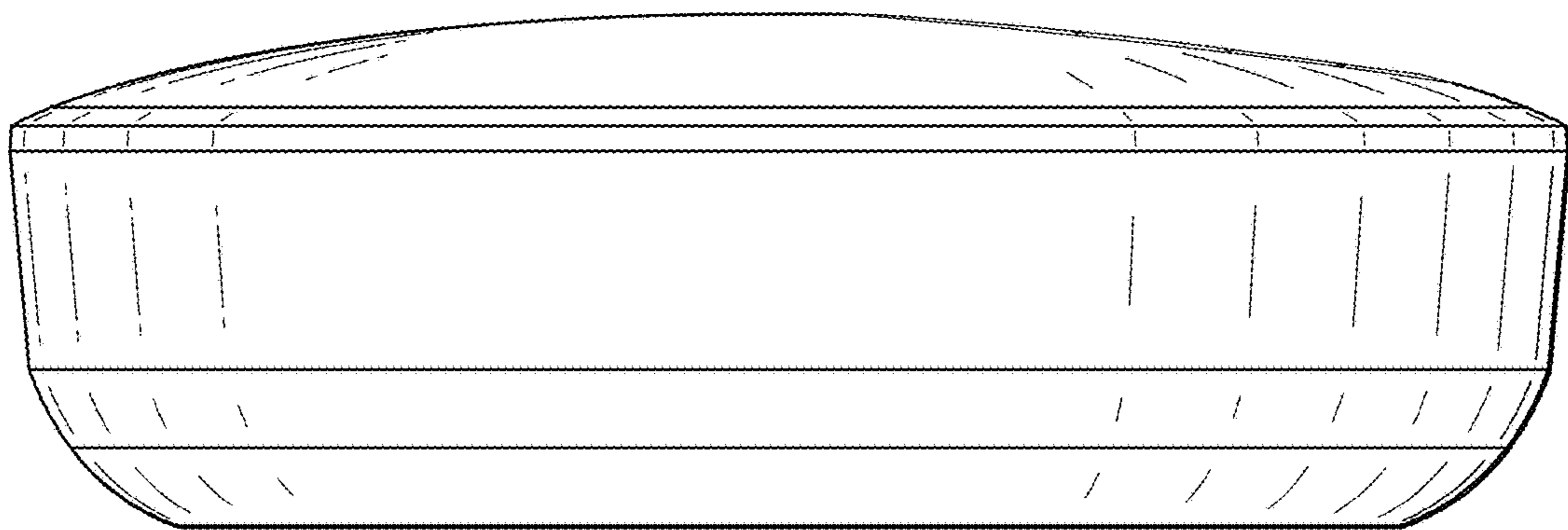


FIG. 5

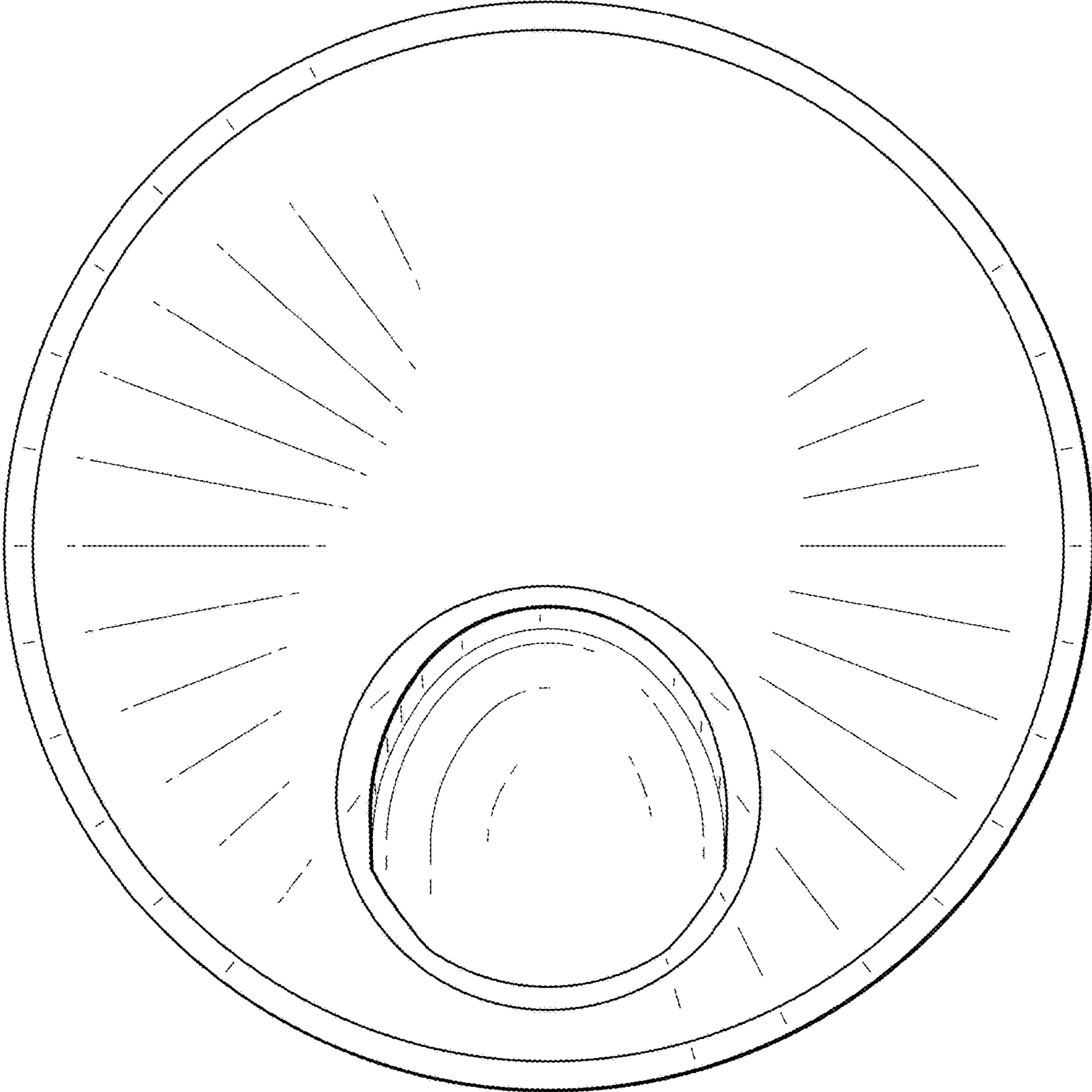


FIG. 6

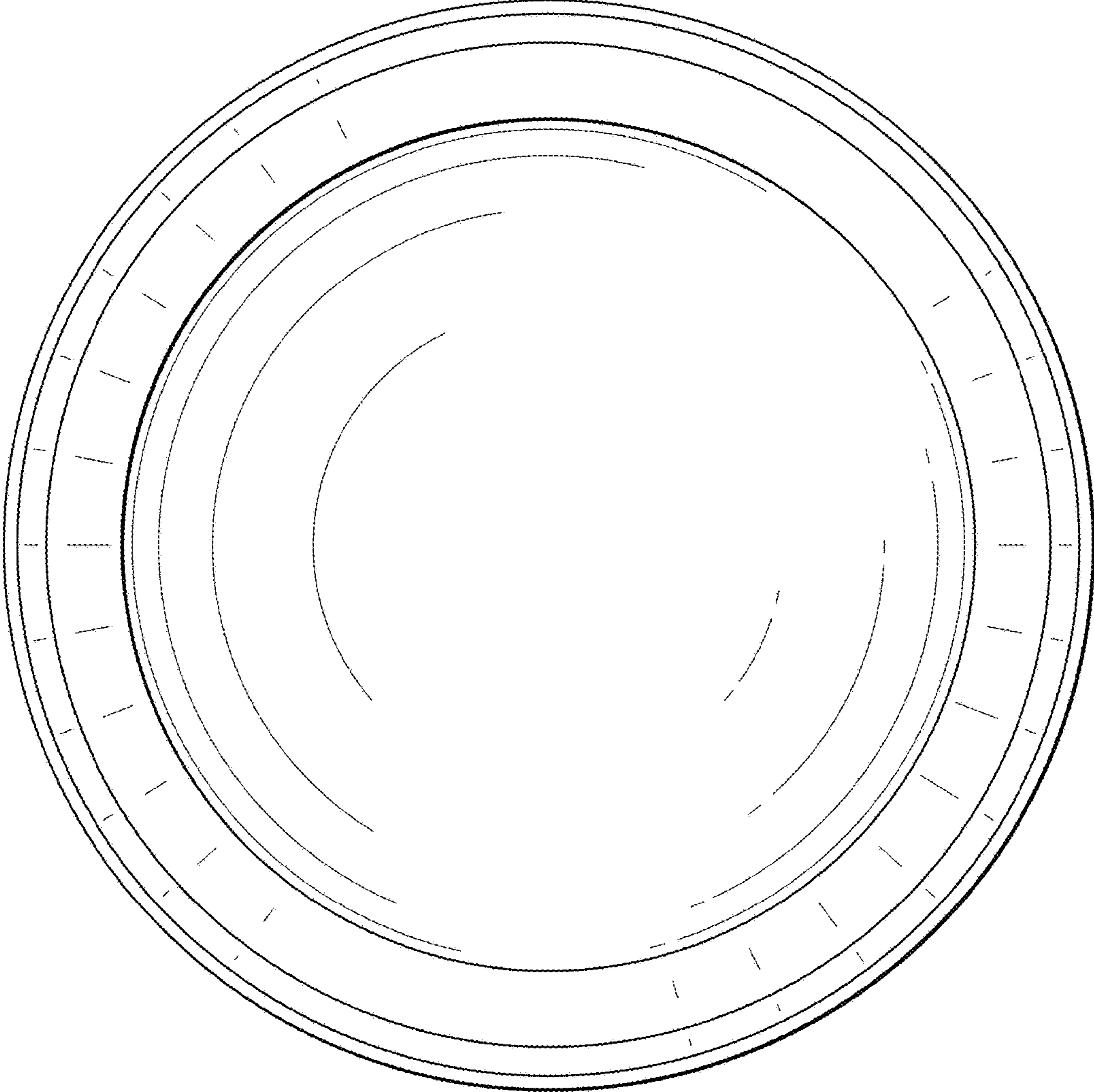


FIG. 7

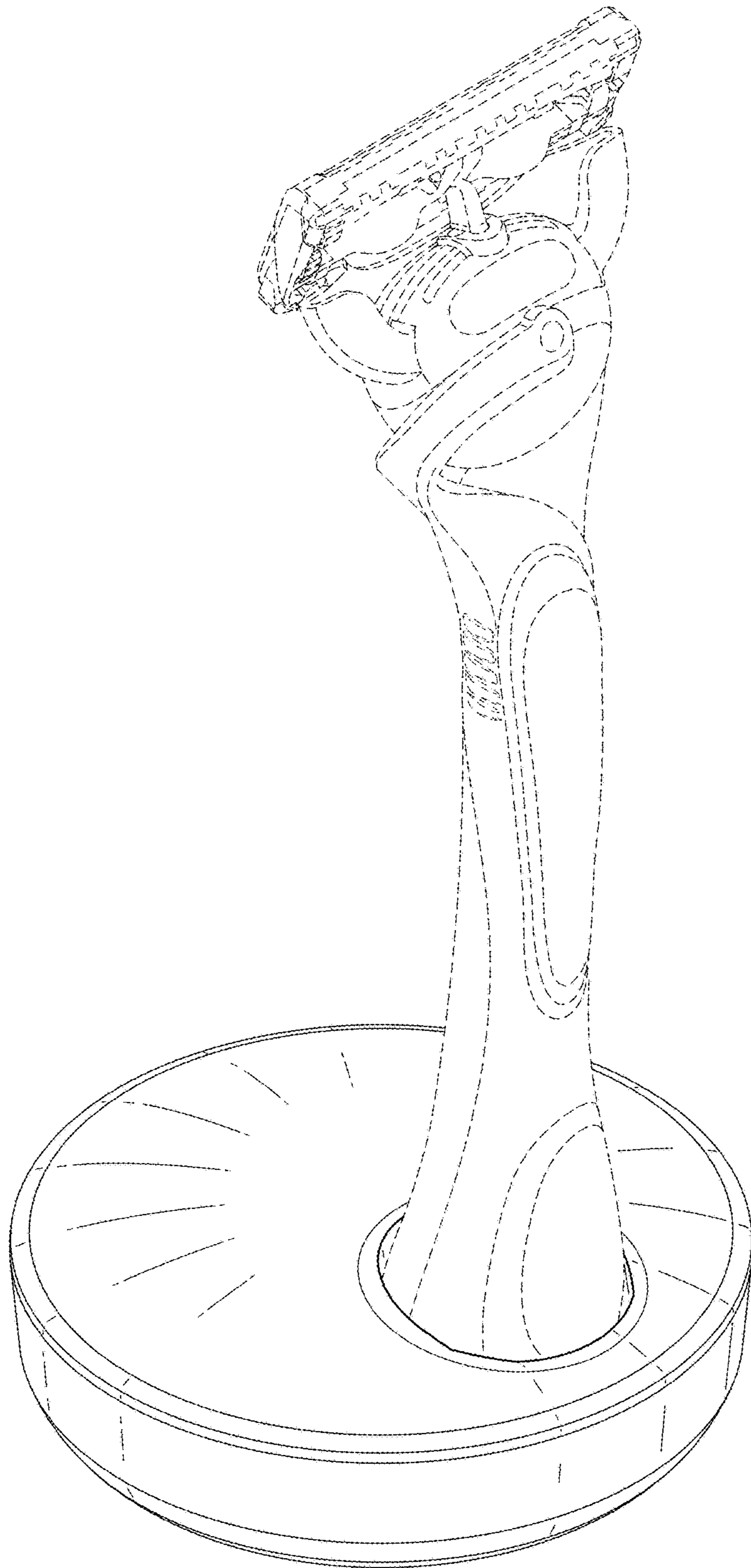


FIG. 8