



US00D819998S

(12) **United States Design Patent** (10) **Patent No.:** **US D819,998 S**
Siebert et al. (45) **Date of Patent:** **** Jun. 12, 2018**

(54) **PORTABLE LEANING POST**
(71) Applicant: **Brunswick Corporation**, Lake Forest, IL (US)
(72) Inventors: **Paul Brian Siebert**, Chicago, IL (US); **Michael John Barczak**, Olathe, KS (US)
(73) Assignee: **Brunswick Corporation**, Mettawa, IL (US)

(**) Term: **15 Years**
(21) Appl. No.: **29/603,984**
(22) Filed: **May 15, 2017**
(51) **LOC (11) Cl.** **06-01**
(52) **U.S. Cl.**
USPC **D6/372; D6/375**
(58) **Field of Classification Search**
USPC D6/334-336, 371, 372, 373, 374, 375, D6/716, 716.1, 716.4
CPC A47C 3/12; A47C 4/02; A47C 4/03; A47C 5/12; A47C 7/16; A47C 4/025; A47C 7/022
See application file for complete search history.

(56) **References Cited**
U.S. PATENT DOCUMENTS
D167,940 S * 10/1952 Hofgebang D6/375
D240,574 S * 7/1976 Rinaldi D6/372
(Continued)

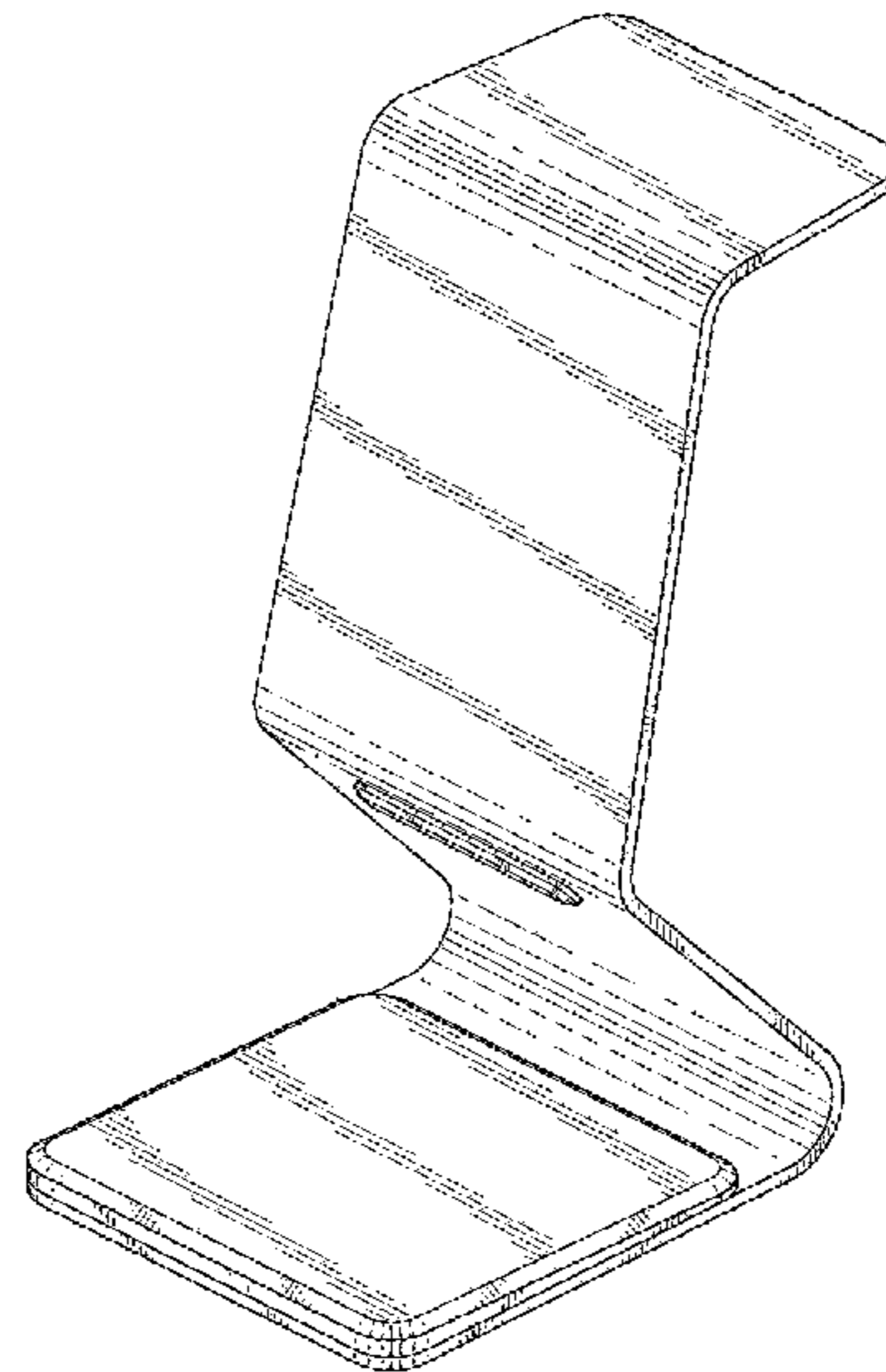
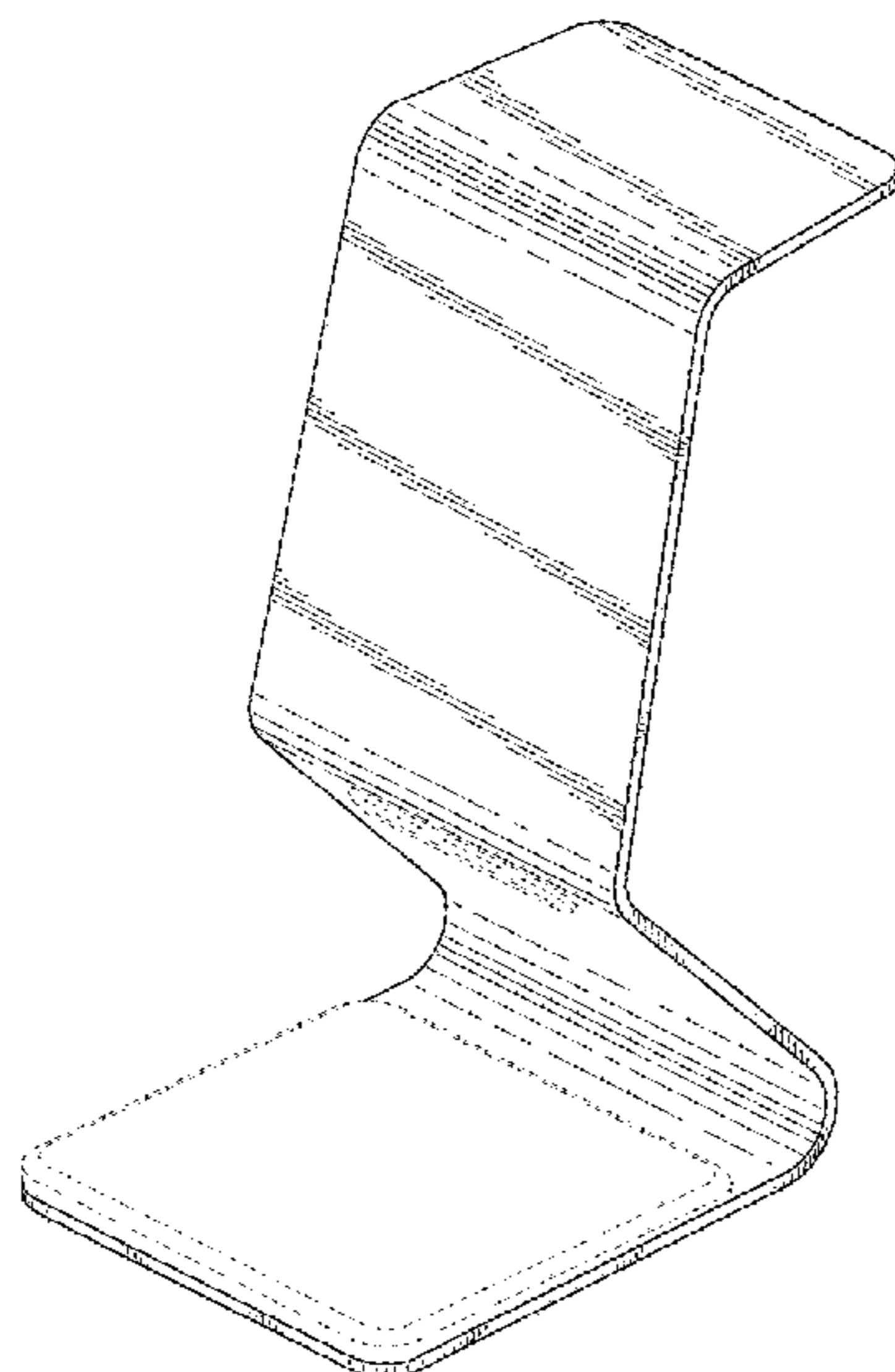
OTHER PUBLICATIONS
Steelcase Product Webpage "Leap Lounge Ergonomic Office Chair"
(<http://www.steelcase.com/products/lounge-seating/leap-lounge-chair/>).
(Continued)

Primary Examiner — Mimosa De
(74) *Attorney, Agent, or Firm* — Andrus Intellectual Property Law, LLP

(57) **CLAIM**
The ornamental design for a portable leaning post, as shown and described.

DESCRIPTION
FIG. 1 is a perspective view of a first embodiment of a portable leaning post.
FIG. 2 is a rear view of the first embodiment.
FIG. 3 is a front view of the first embodiment.
FIG. 4 is a left side view of the first embodiment.
FIG. 5 is a right side view of the first embodiment.
FIG. 6 is a top view of the first embodiment.
FIG. 7 is a bottom view of the first embodiment.
FIG. 8 is a perspective view of the first embodiment of the portable leaning post, showing a nested configuration with other similarly configured portable leaning posts which for illustrative purposes are shown in dashed line format.
FIG. 9 is a right side view of the embodiment shown in FIG. 8.
FIG. 10 is a top view of the embodiment shown in FIG. 8.
FIG. 11 is a perspective view of a second embodiment of the portable leaning post.
FIG. 12 is a rear view of the second embodiment.
FIG. 13 is a front view of the second embodiment.
FIG. 14 is a left side view of the second embodiment.
FIG. 15 is a right side view of the second embodiment.
FIG. 16 is a top view of the second embodiment; and, FIG. 17 is a bottom view of the second embodiment.
The broken lines represent portions of the portable leaning post that are shown for illustrative purposes only and form no part of the claimed design.

1 Claim, 11 Drawing Sheets



(56)

References Cited

U.S. PATENT DOCUMENTS

D240,575 S * 7/1976 Rinaldi D6/372
 D252,840 S * 9/1979 Scholten D6/375
 D280,054 S * 8/1985 Pedersen D6/334
 4,773,337 A 9/1988 Ball
 4,986,195 A 1/1991 Diffrient
 D314,878 S 2/1991 Hart
 5,121,697 A 6/1992 Baum et al.
 D327,796 S 7/1992 Ryaa
 5,174,225 A 12/1992 Reise et al.
 5,354,027 A 10/1994 Cox
 D450,466 S 11/2001 Overthun et al.
 6,748,873 B2 6/2004 Brown, Sr.
 D503,572 S 4/2005 Eldoy
 6,883,863 B2 4/2005 Ginns
 D596,415 S 7/2009 Wold
 D596,416 S 7/2009 Wold
 D612,165 S * 3/2010 Caggiano D6/372
 7,891,677 B2 2/2011 Jenkins
 D642,395 S * 8/2011 Bladh D6/372
 D644,456 S 9/2011 Martin

8,051,784 B2 11/2011 Hsu
 8,171,863 B2 5/2012 Nyenhuis et al.
 8,359,983 B2 1/2013 Williamson et al.
 8,573,688 B2 11/2013 Shackelford
 D705,556 S 5/2014 Udagawa
 8,720,989 B2 5/2014 Jurcic et al.
 8,840,175 B2 9/2014 Short
 D720,161 S 12/2014 Udagawa
 9,144,300 B2 9/2015 Coety
 D764,847 S 8/2016 Strater
 2007/0063555 A1 3/2007 Ehud
 2007/0095257 A1 5/2007 Hernandez
 2015/0282623 A1 10/2015 Redding

OTHER PUBLICATIONS

Kinema Active Chair, <http://www.kinemaproducts.com/index.html>,
 website visited Aug. 18, 2015.
 Pending Design U.S. Appl. No. 29/536,608, filed Aug. 18, 2015.
 Pending U.S. Appl. No. 14/956,504, filed Dec. 2, 2015.

* cited by examiner

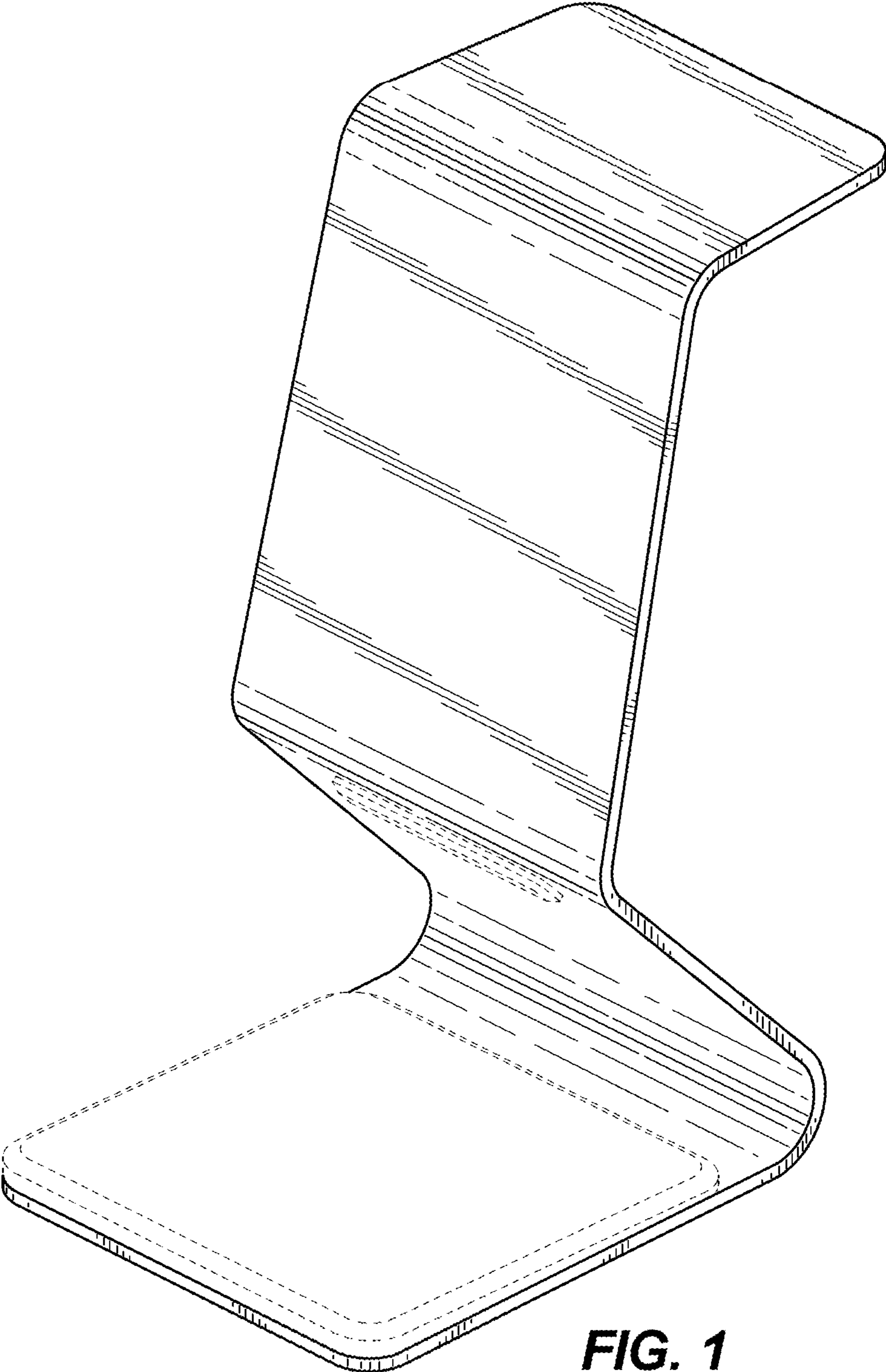


FIG. 1

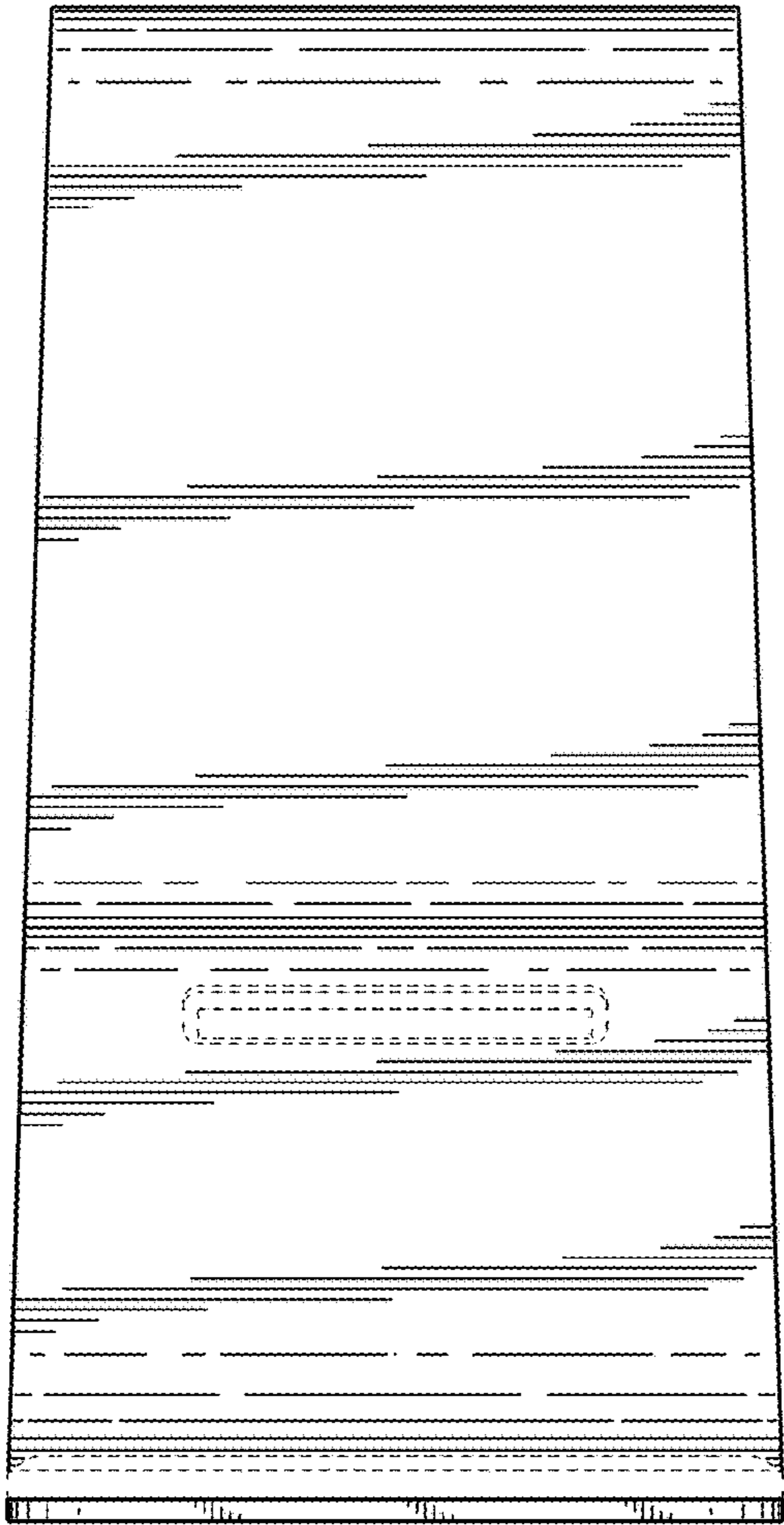


FIG. 2

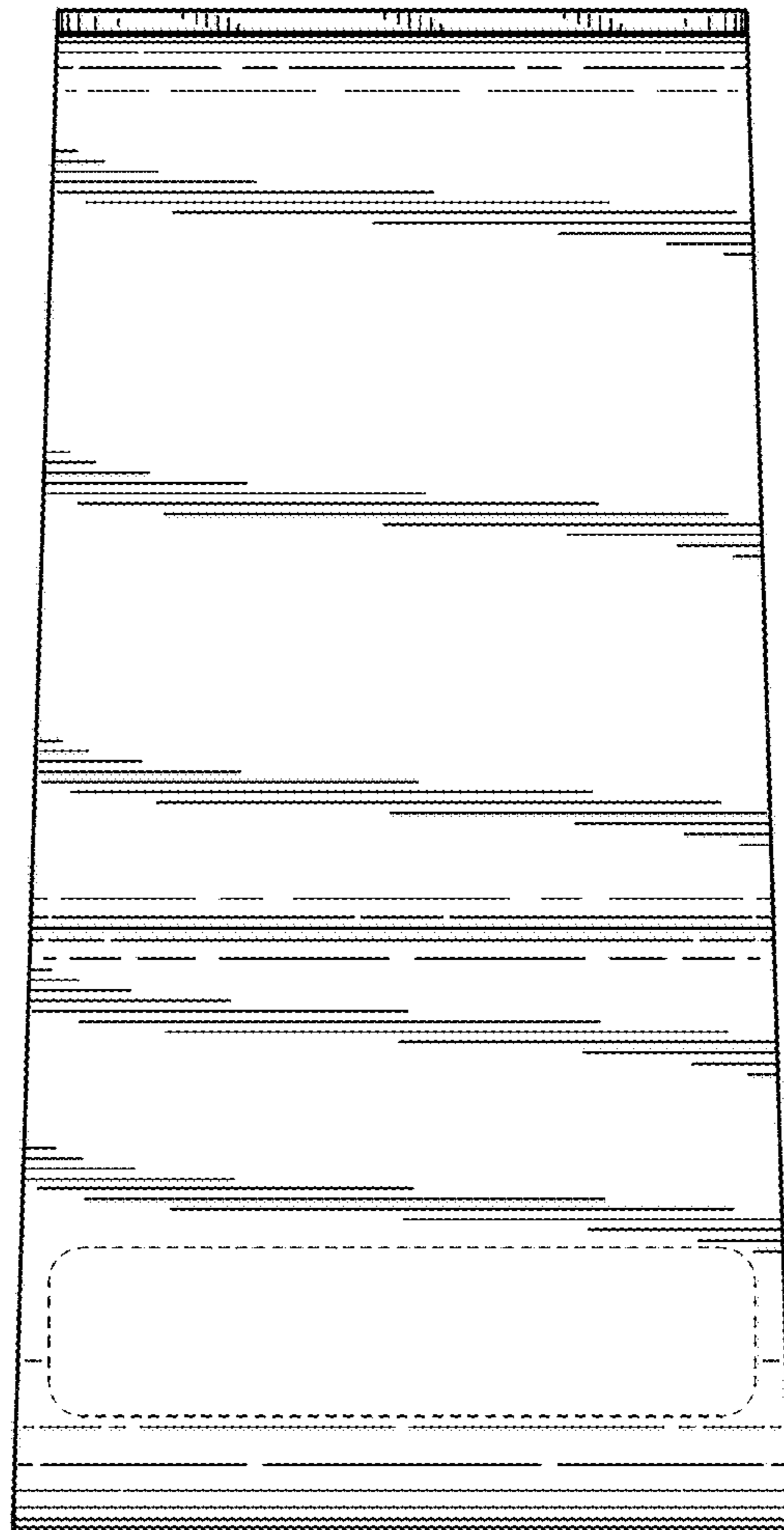


FIG. 3

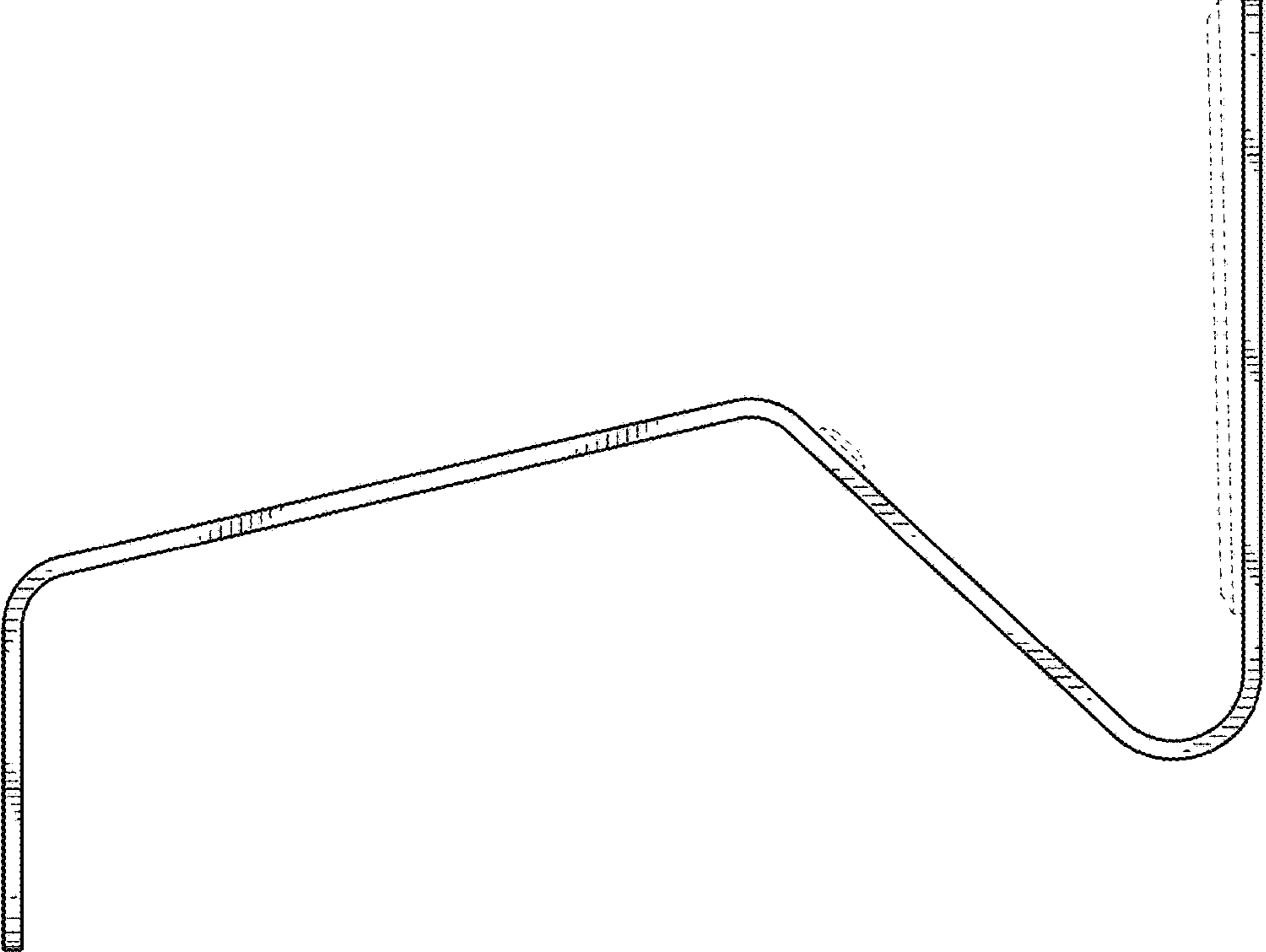


FIG. 4

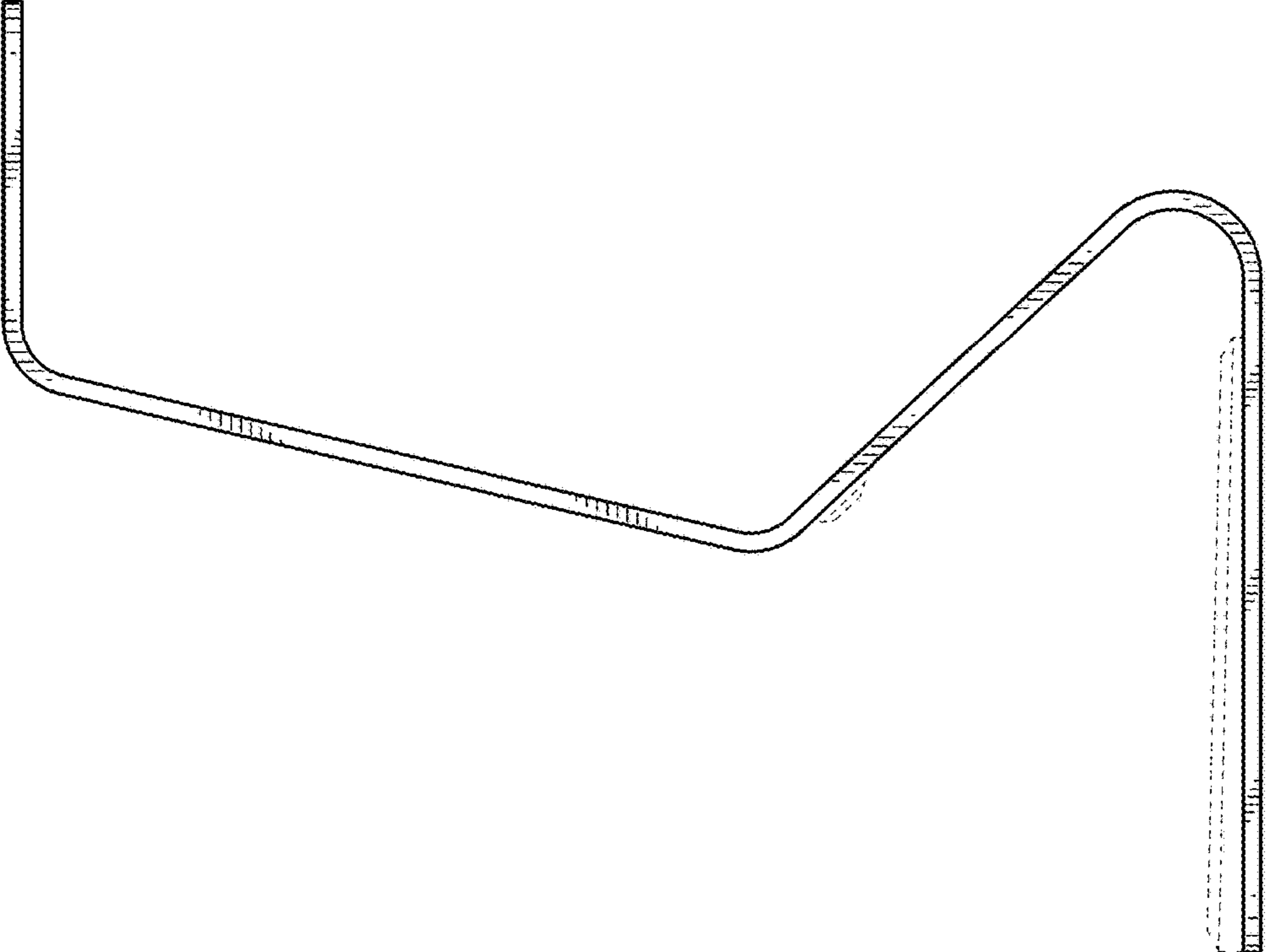


FIG. 5

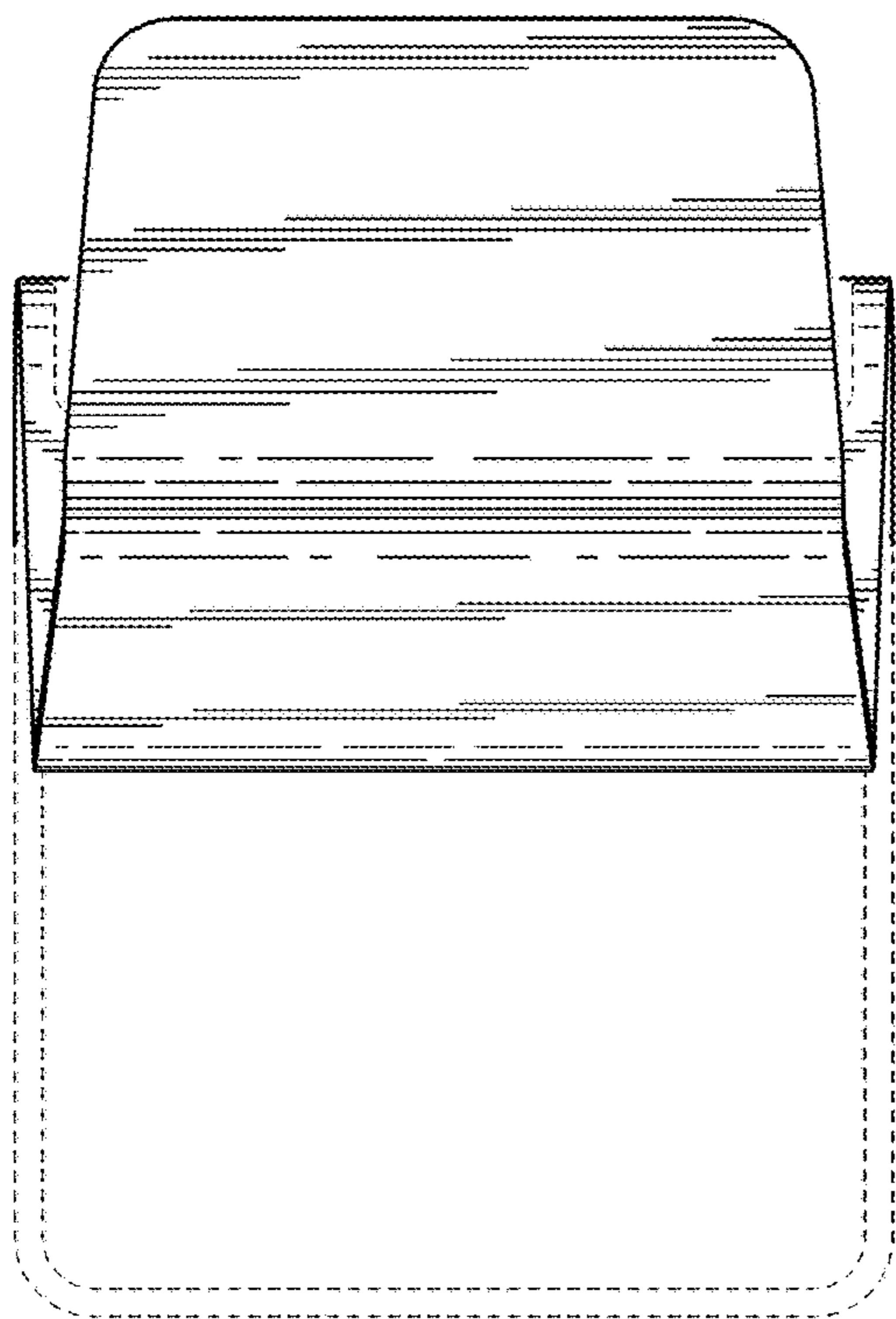


FIG. 6

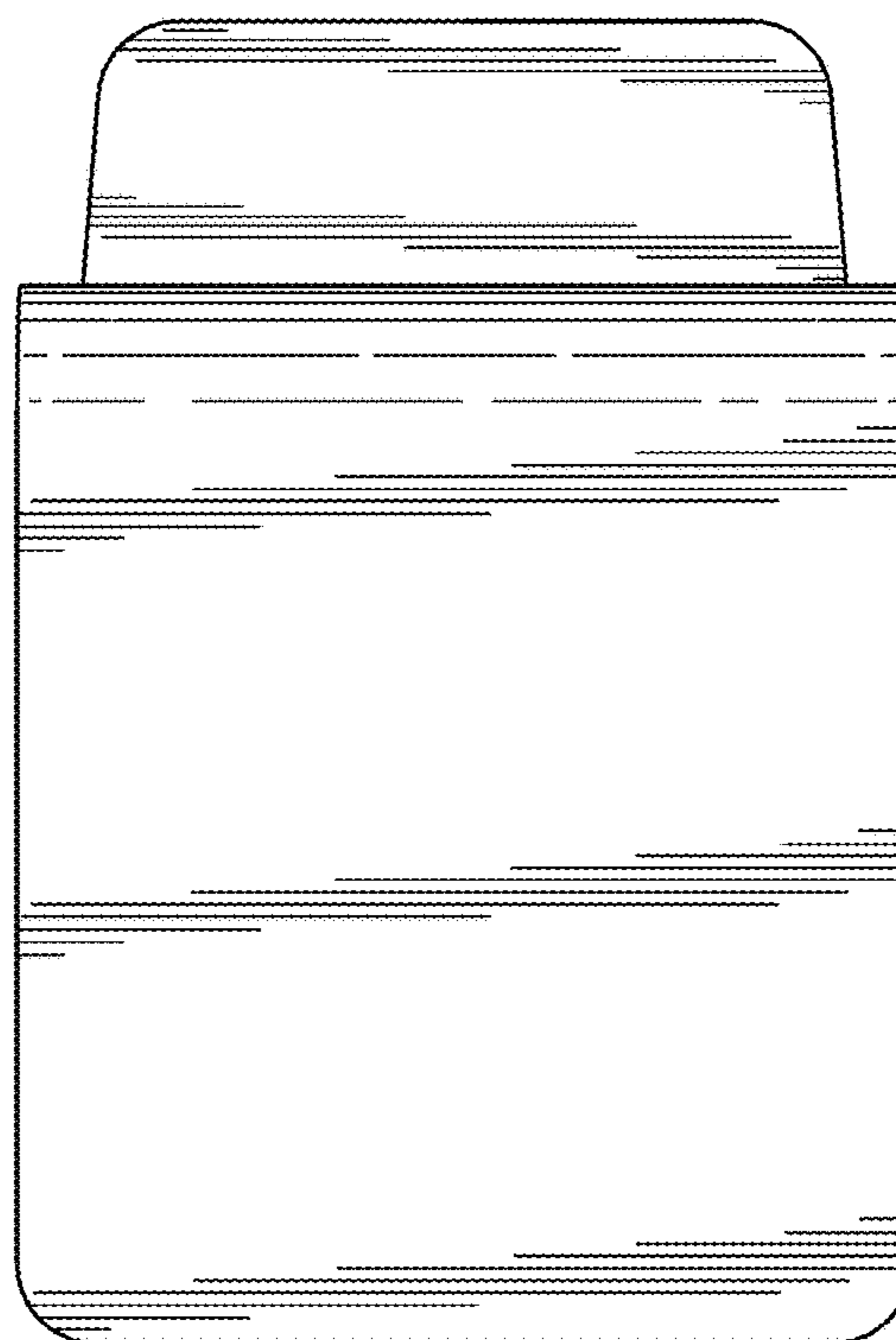


FIG. 7

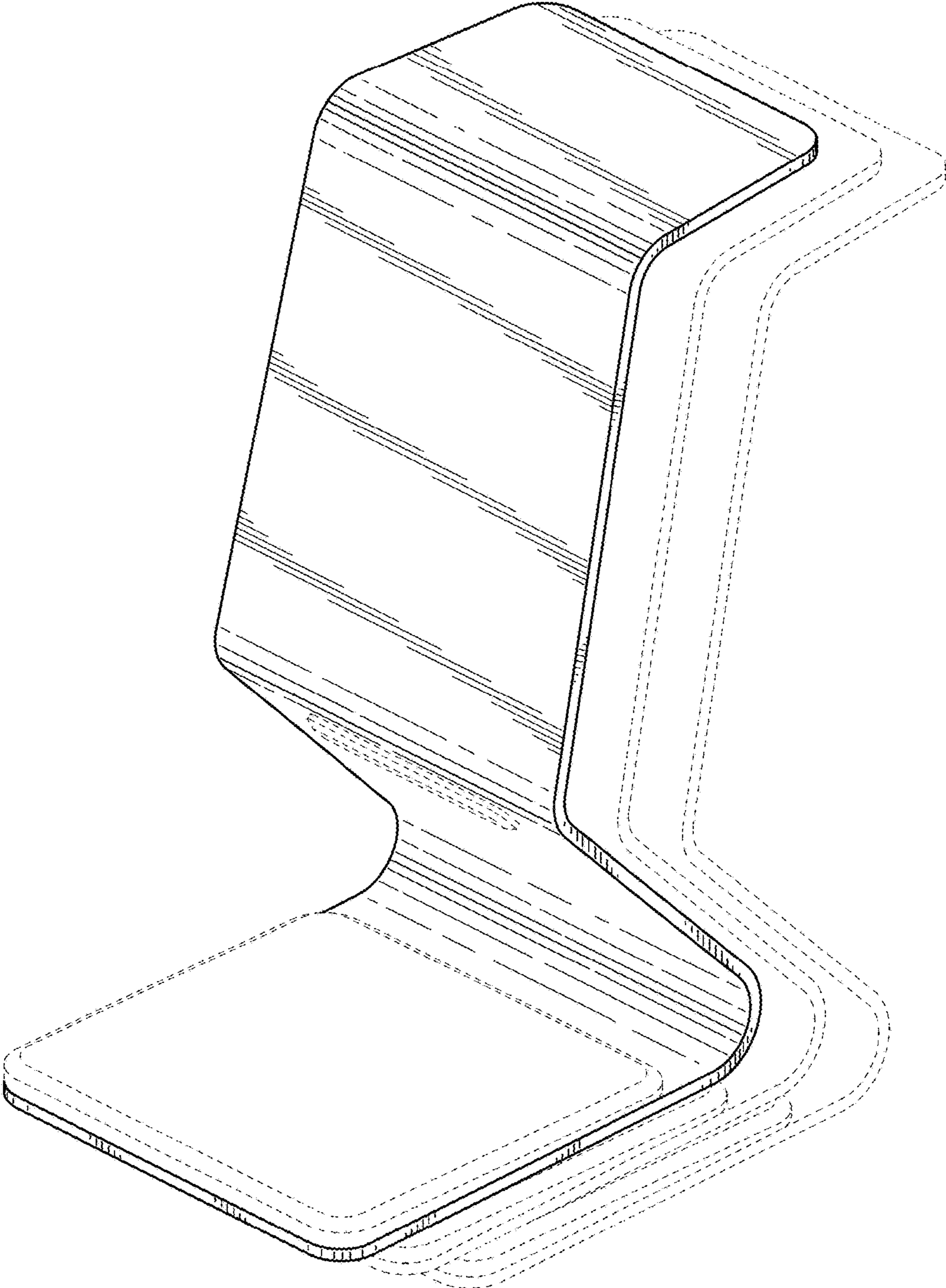


FIG. 8

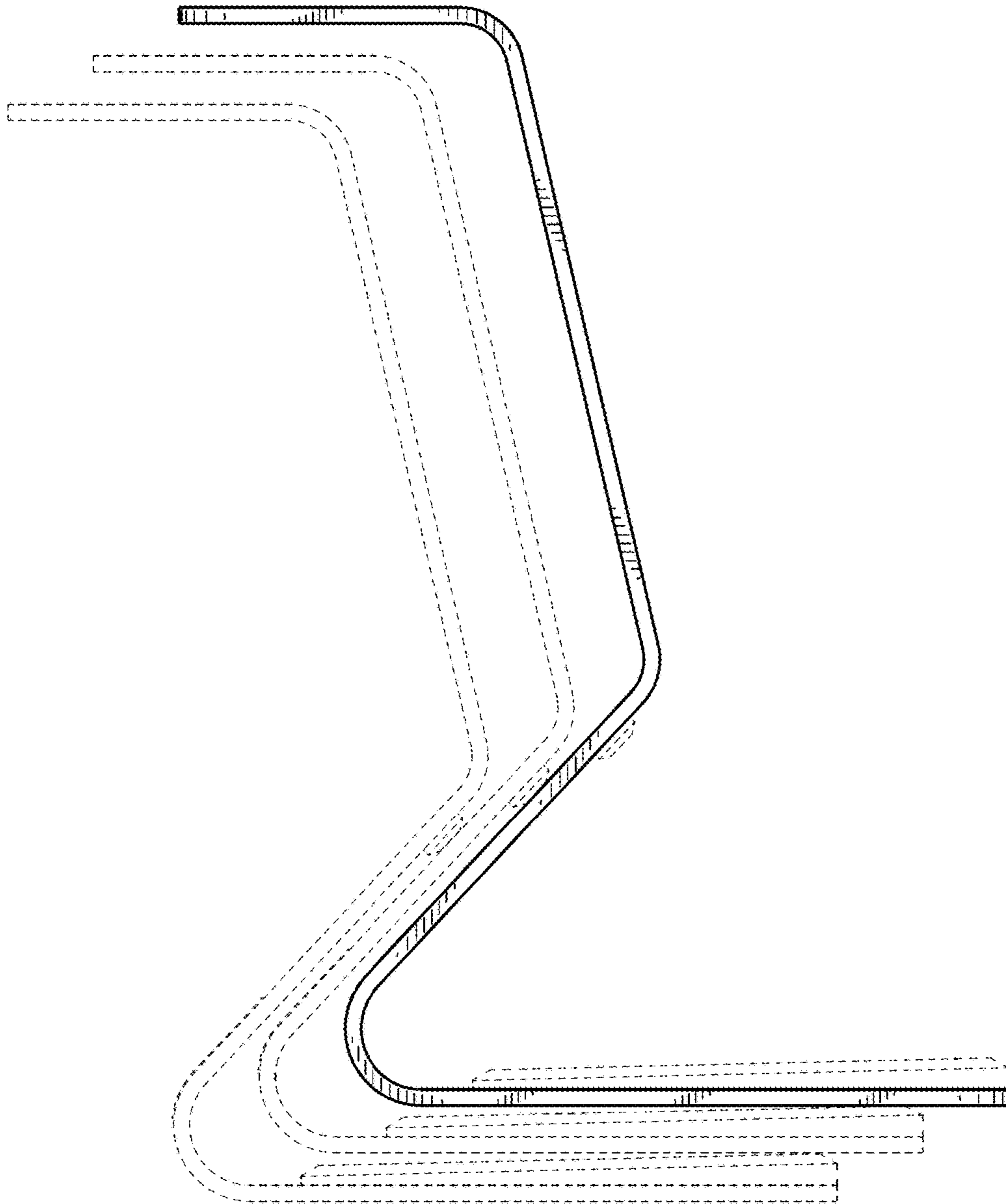


FIG. 9

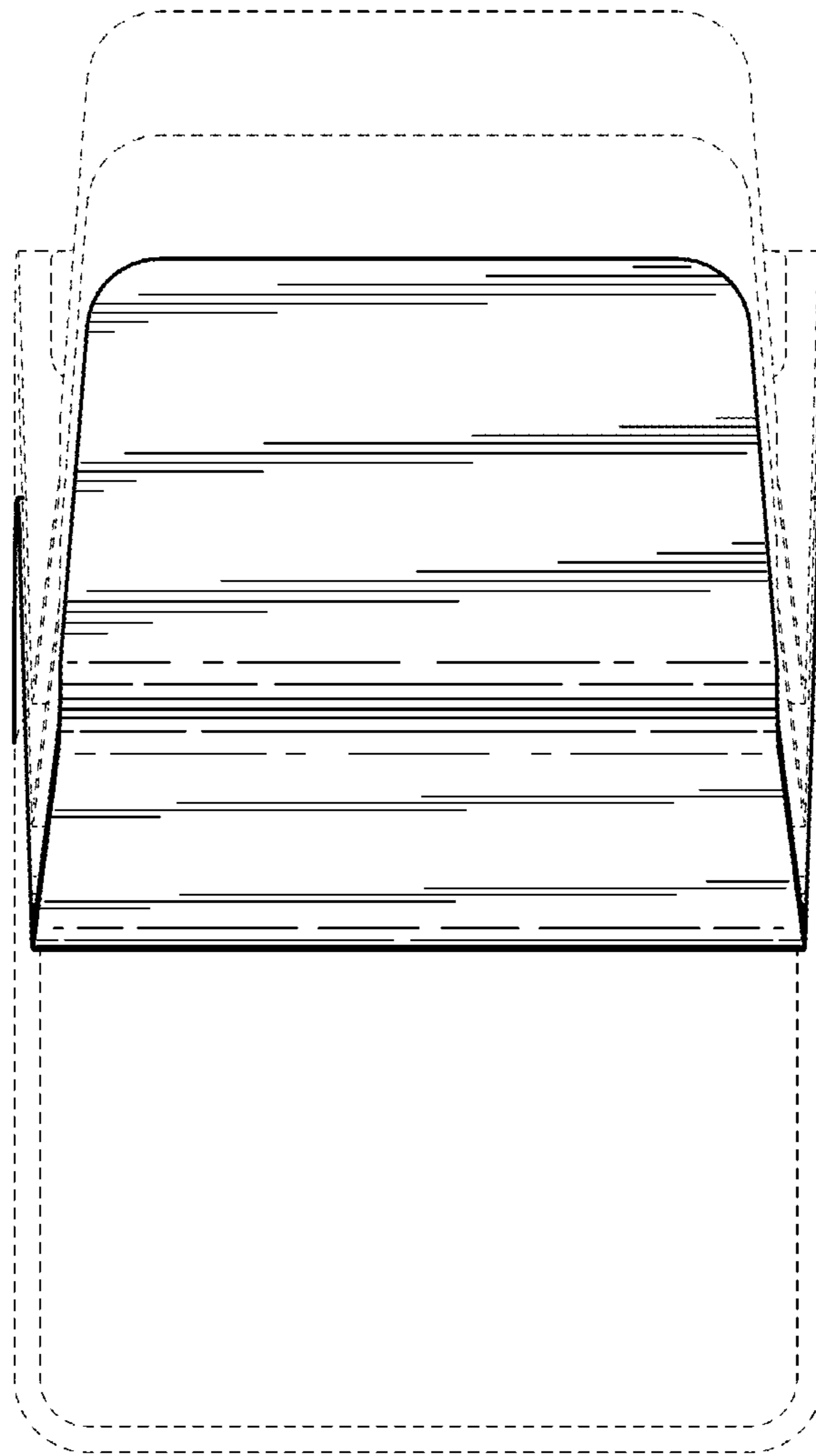


FIG. 10

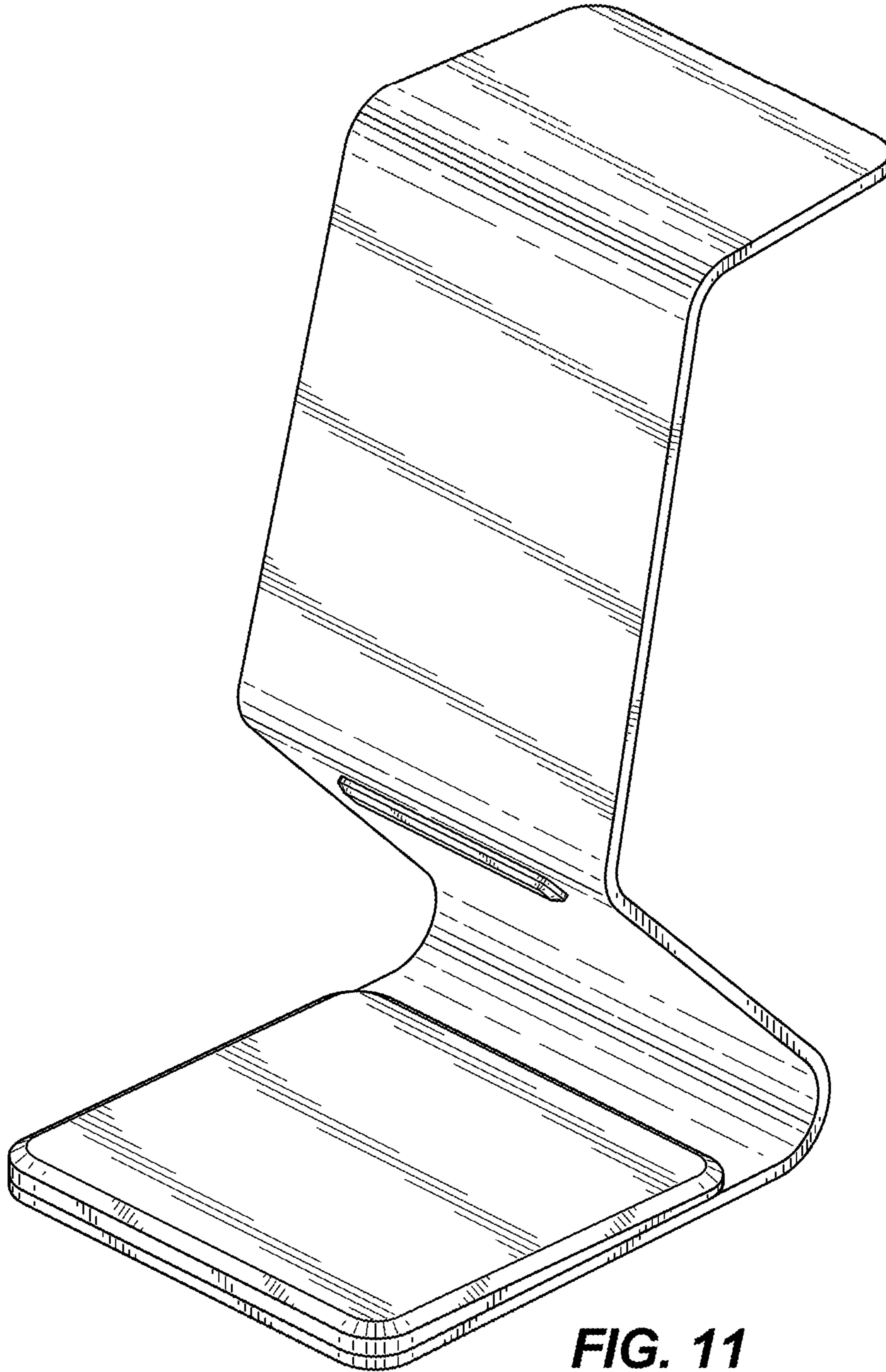


FIG. 11

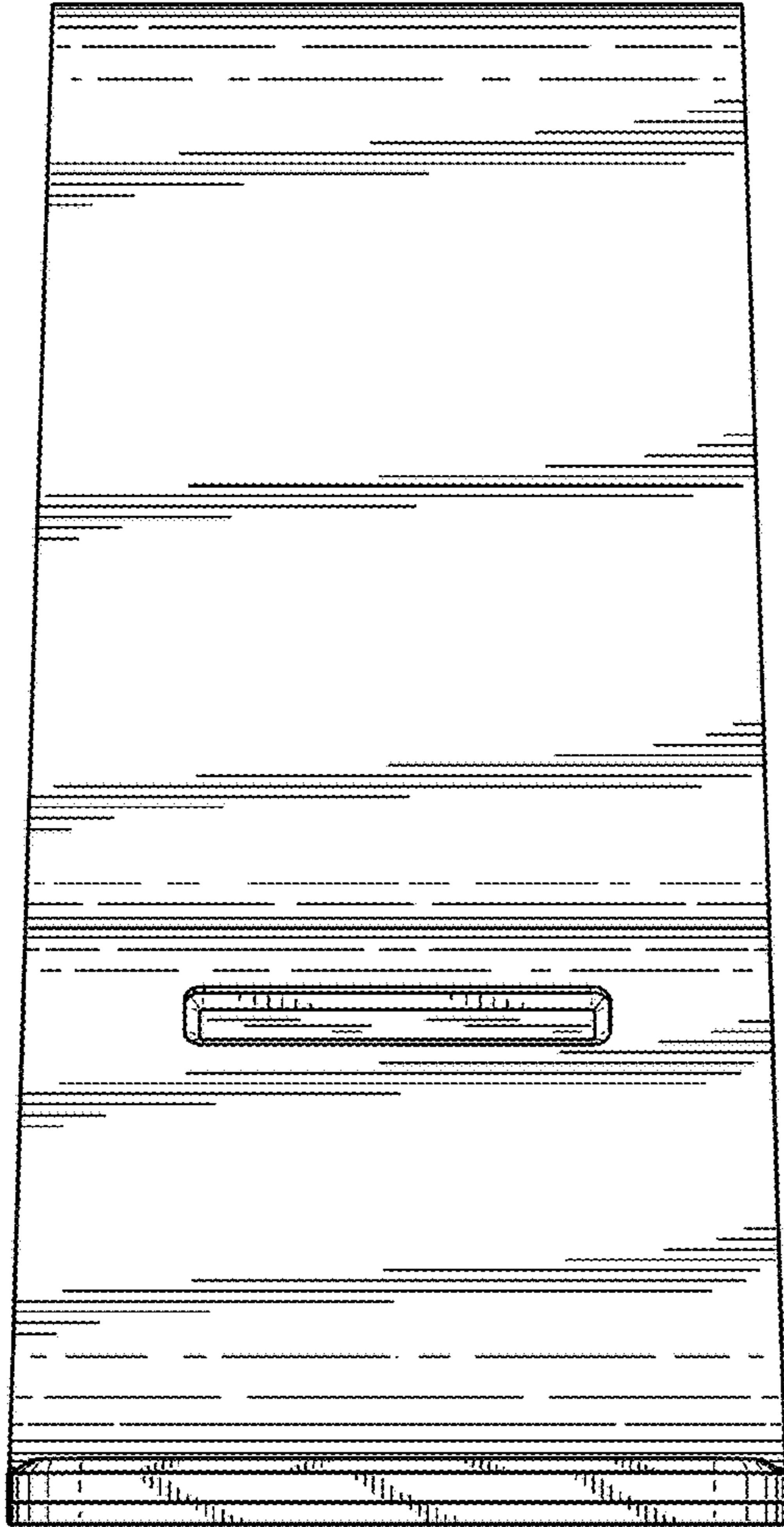


FIG. 12

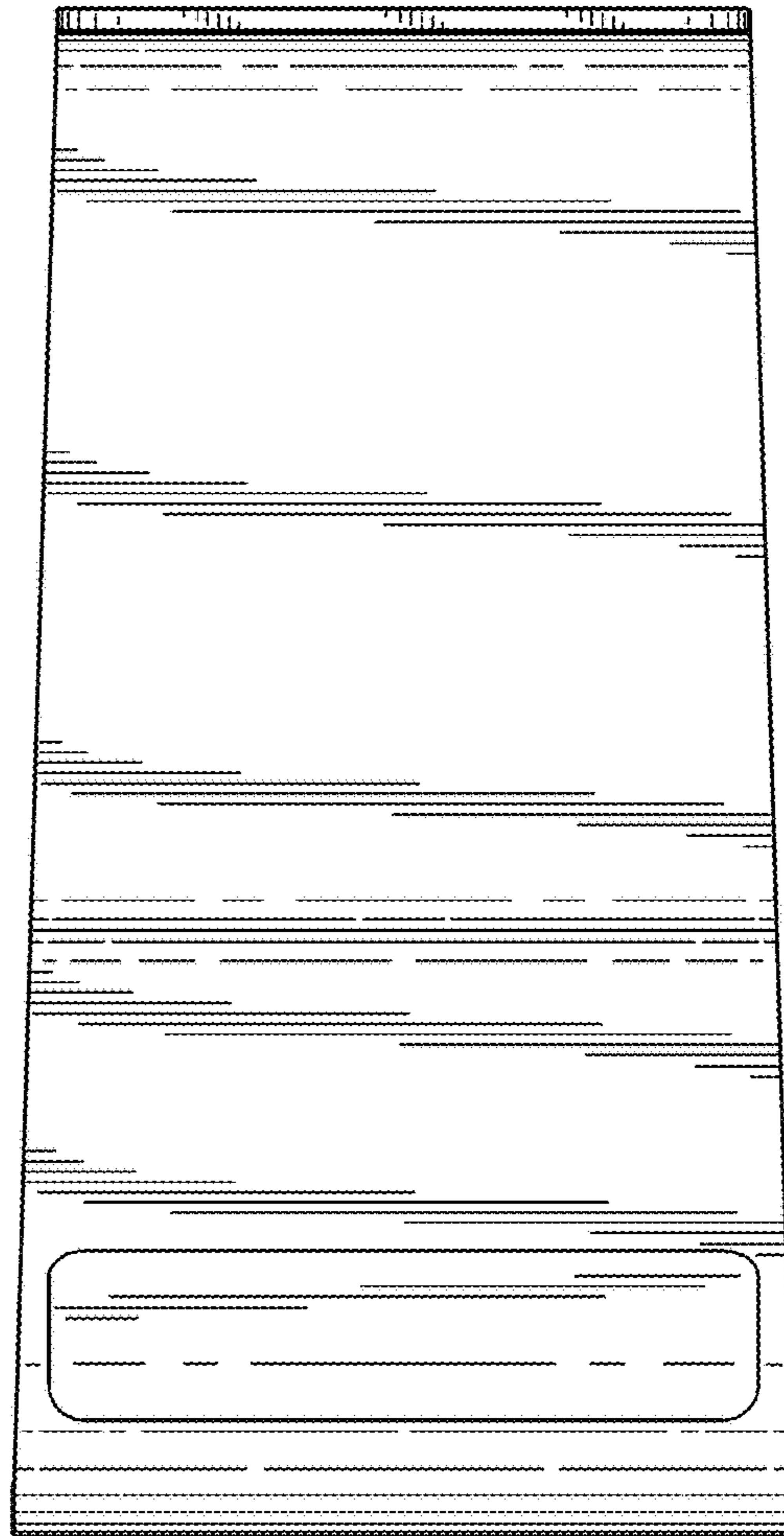


FIG. 13

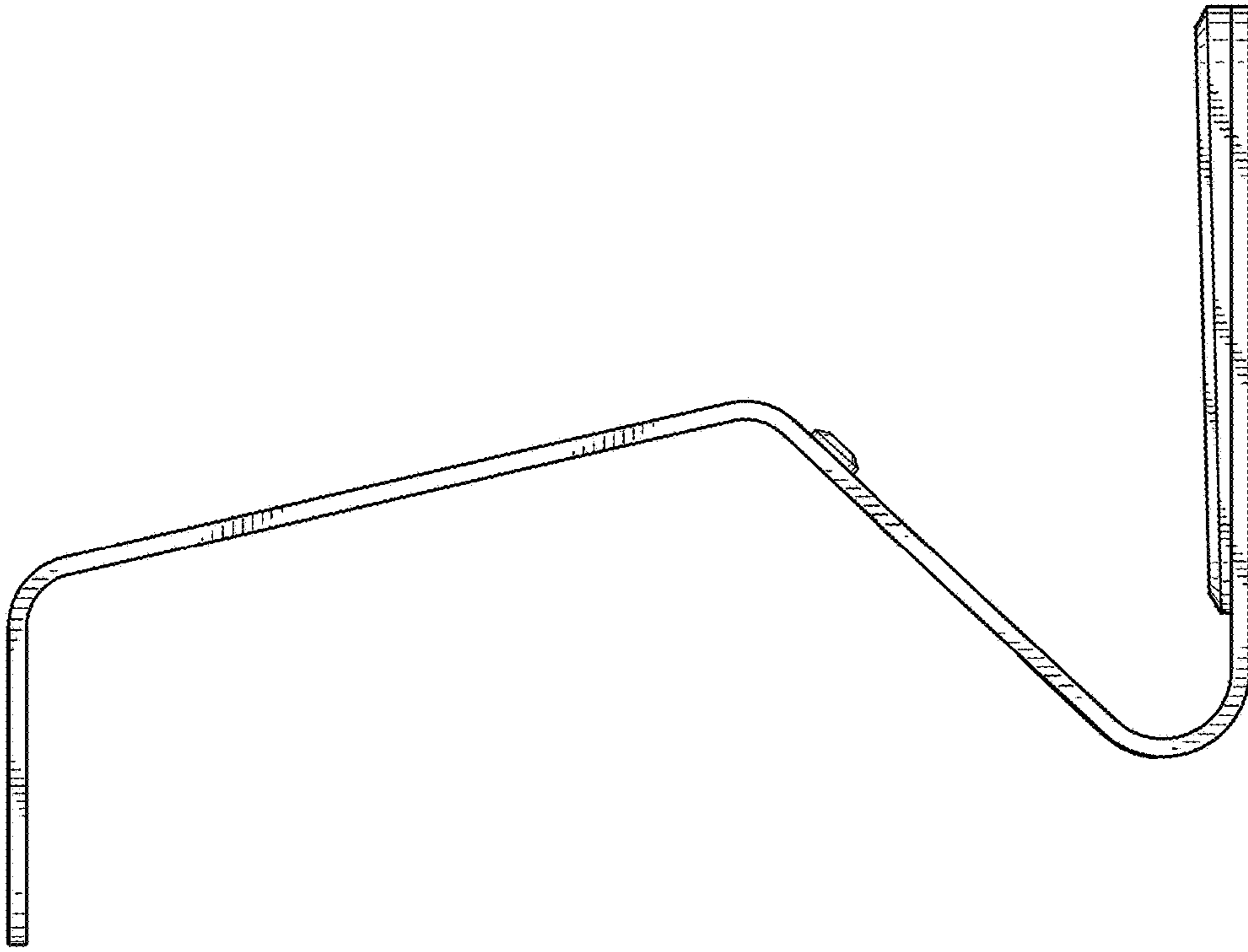


FIG. 14

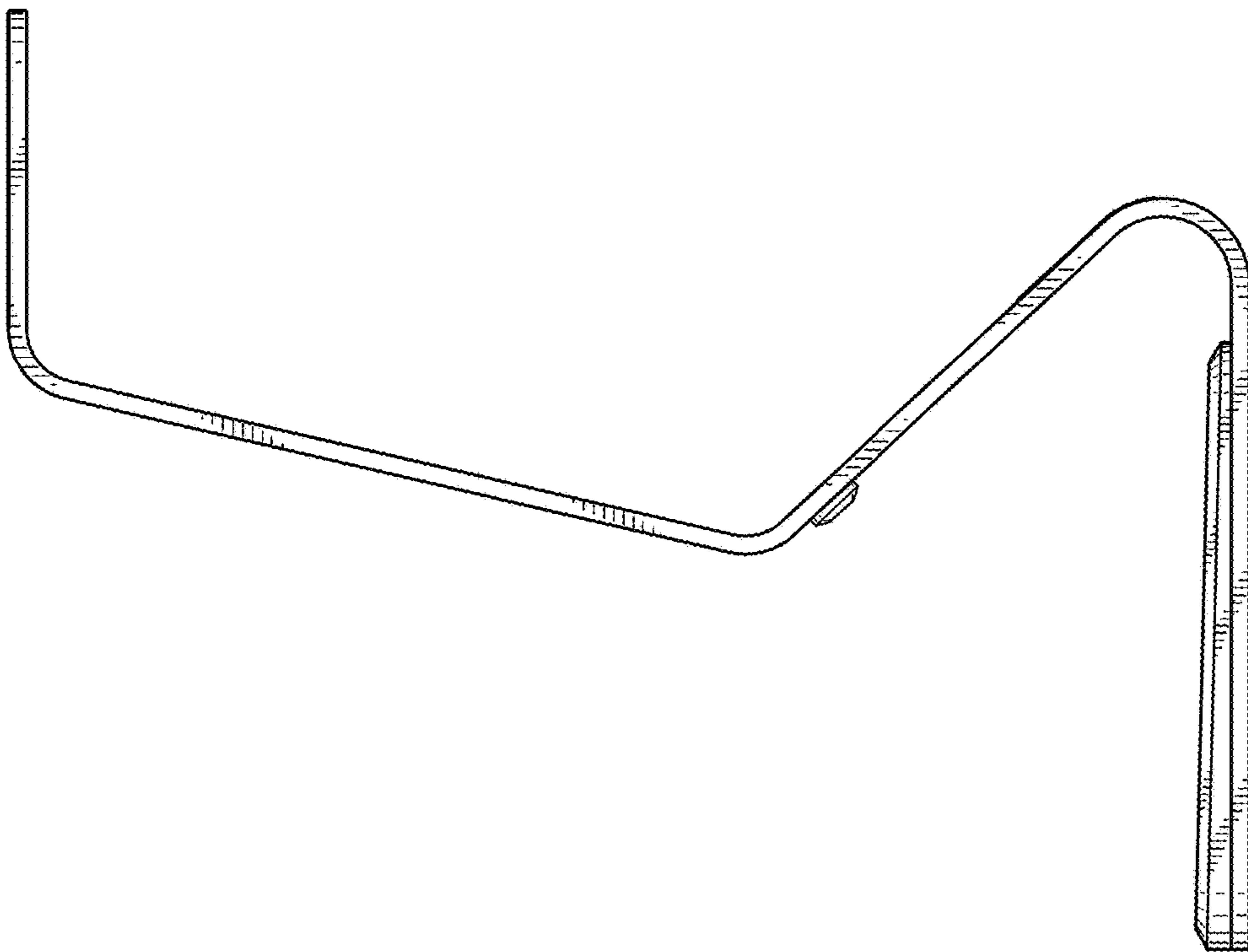


FIG. 15

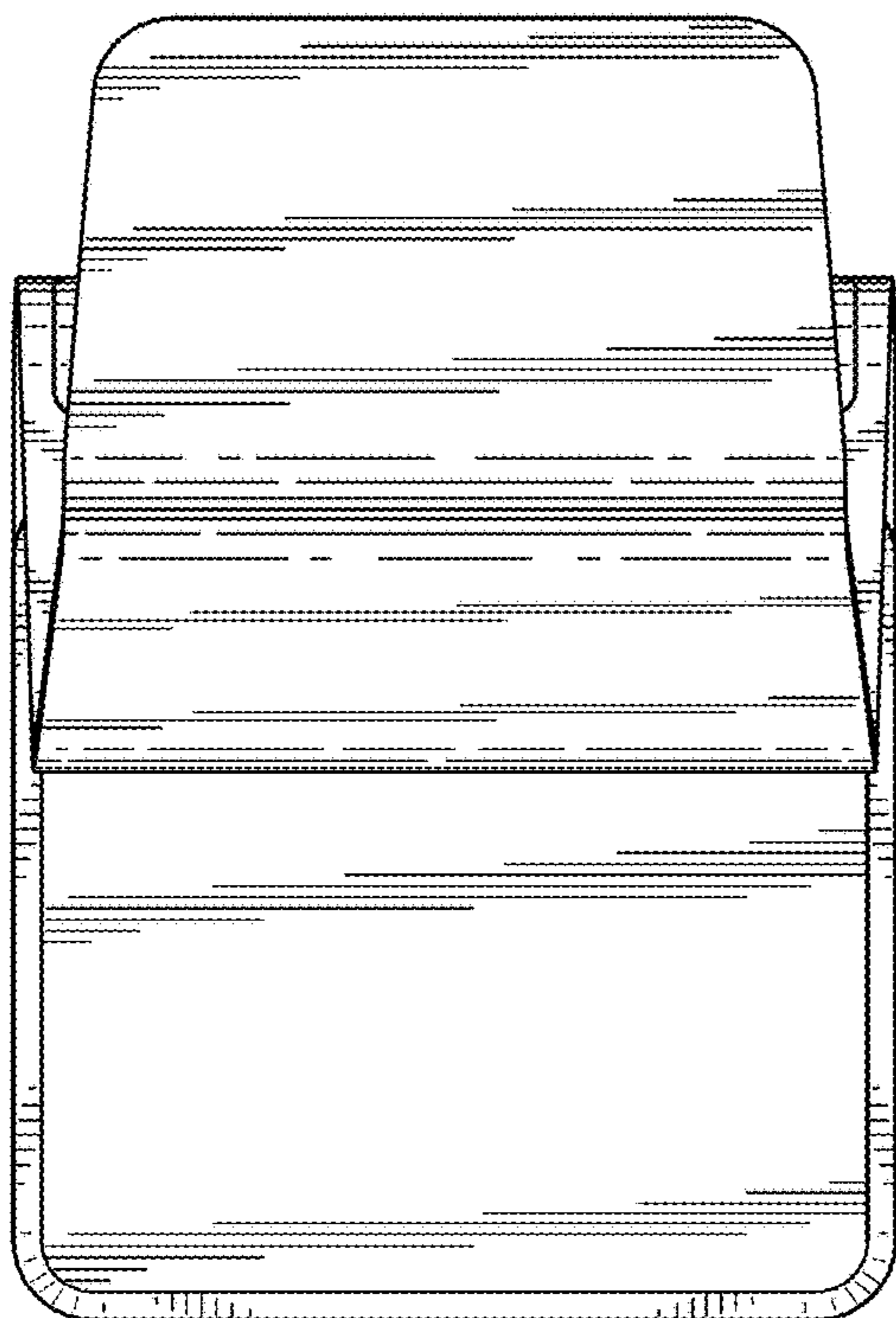


FIG. 16

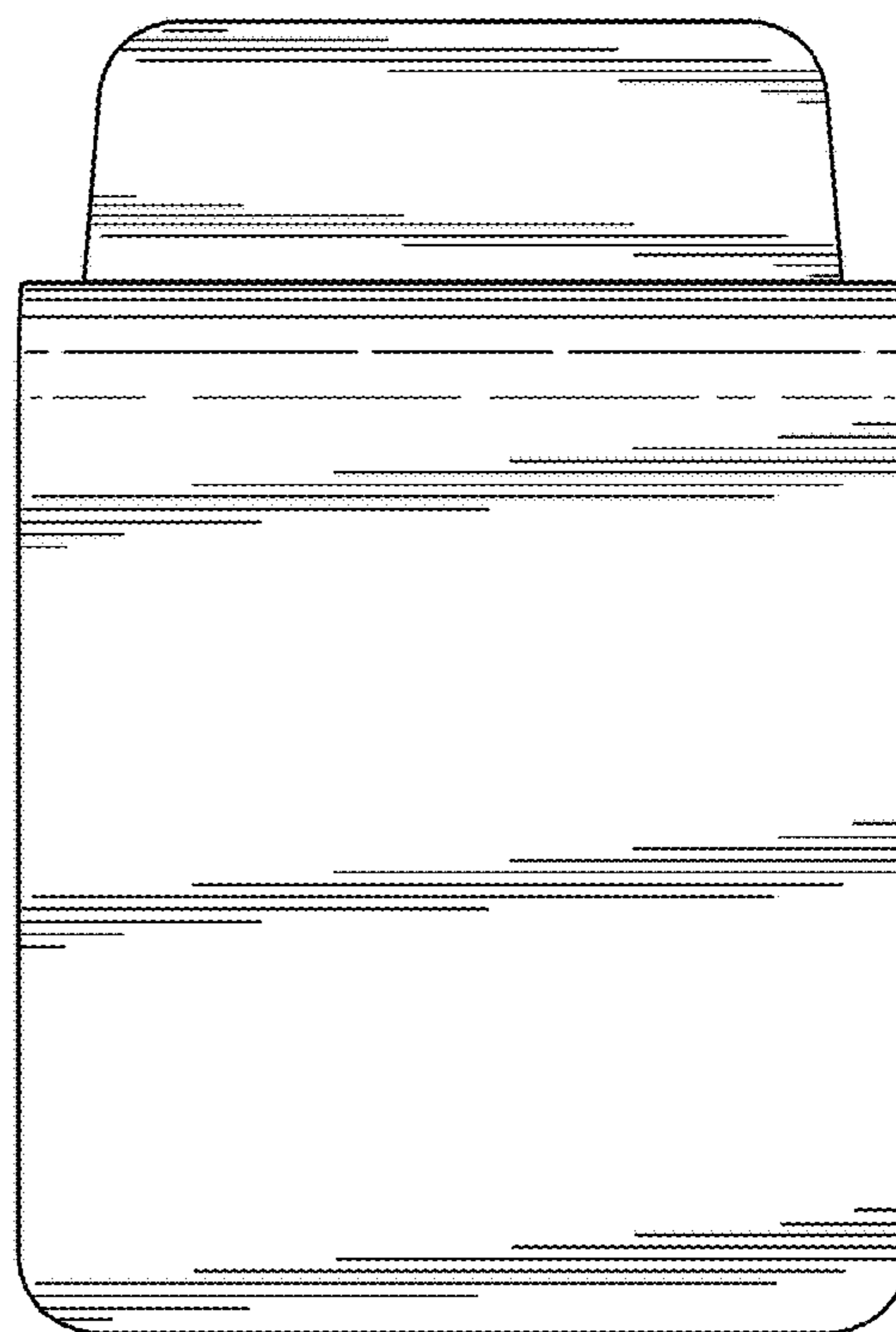


FIG. 17