



US00D819997S

(12) **United States Design Patent** (10) **Patent No.:** **US D819,997 S**
Rafieha (45) **Date of Patent:** **** *Jun. 12, 2018**

(54) **CHAIR**

(71) Applicant: **Abbyson Living Corporation,**
Calabasas, CA (US)

(72) Inventor: **Rodd Rafieha,** Calabasas, CA (US)

(73) Assignee: **ABBYSON LIVING CORPORATION,** Calabasas, CA (US)

(*) Notice: This patent is subject to a terminal disclaimer.

(**) Term: **15 Years**

(21) Appl. No.: **29/562,416**

(22) Filed: **Apr. 26, 2016**

(51) **LOC (11) Cl.** **06-01**

(52) **U.S. Cl.**
USPC **D6/369**

(58) **Field of Classification Search**
 USPC D6/334, 349–350, 364–368, 374, 375,
 D6/379, 380, 403, 405, 406.6, 654–654.1,
 D6/678–678.2, 682.1–682.6, 684–686,
 D6/691, 691.8–691.9, 698, 699, 705,
 D6/705.5, 707.19, 708, 708.21, 716;
 297/284.4, 452.18, 452.24, 452.26,
 297/452.28, 452.32–33, 452.37
 CPC A47C 7/02; A47C 7/44; A47C 7/46; A47C
 7/48; A47C 7/54; A47C 7/386; A47C
 7/462; A47C 1/10; A47C 1/031; B60N
 2/02; B60N 2/22; B60N 2/44
 See application file for complete search history.

(56) **References Cited**

U.S. PATENT DOCUMENTS

D234,329 S *	2/1975	Rocchia	D6/369
D410,800 S *	6/1999	Gomez	D6/369
D422,422 S *	4/2000	Black	D6/334
D491,378 S *	6/2004	Tyler	D6/369
D650,605 S *	12/2011	Haimoff	D6/369
D659,413 S *	5/2012	Arko	D6/334
D706,052 S *	6/2014	Arnon	D6/369
D784,714 S *	4/2017	Bougay	D6/369
D784,715 S *	4/2017	Bougay	D6/369

* cited by examiner

Primary Examiner — Vy N Koenig

Assistant Examiner — Keith J Wilson

(74) *Attorney, Agent, or Firm* — Koppel, Patrick, Heybl & Philpott

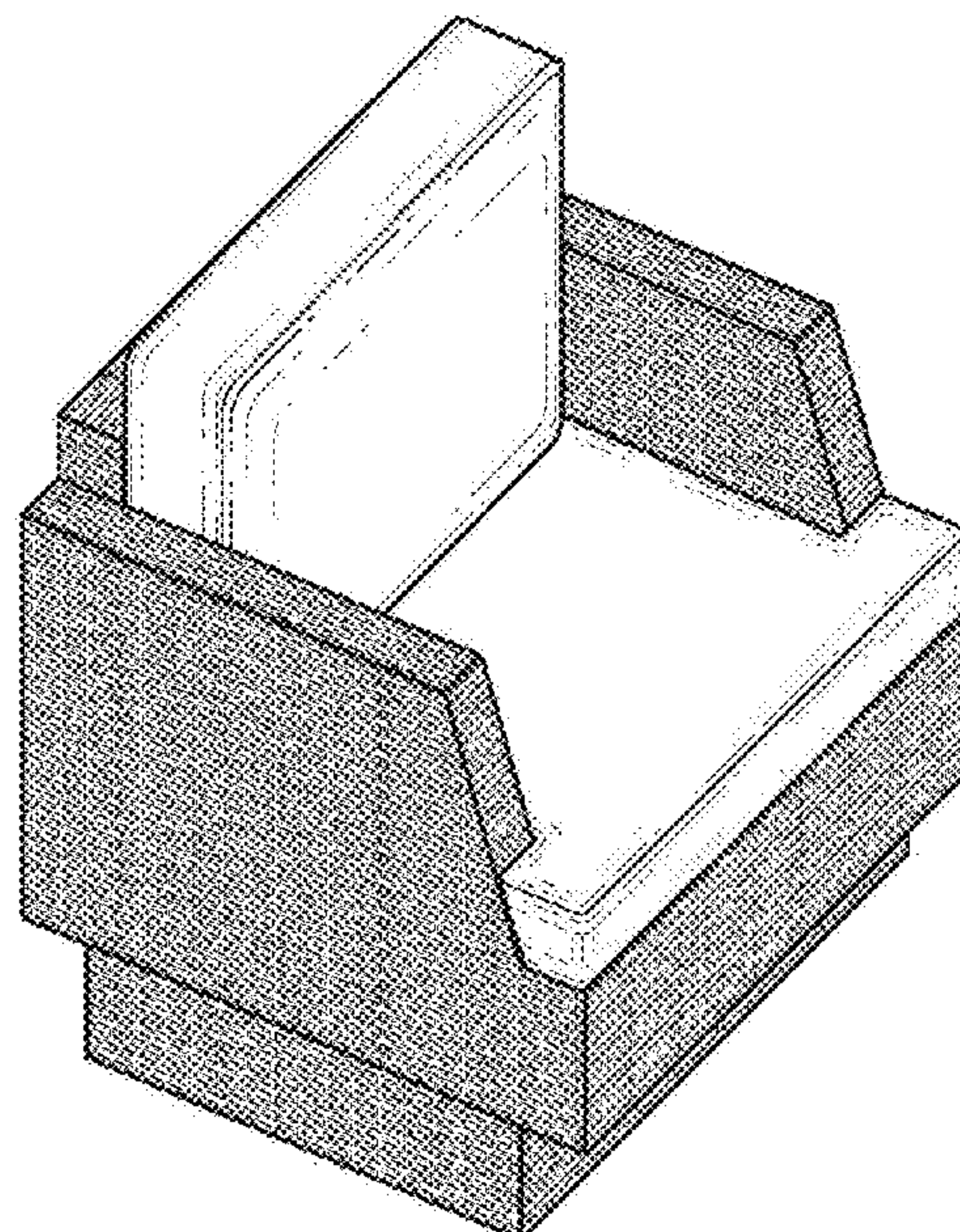
(57) **CLAIM**

The ornamental design for a chair, as shown and described.

DESCRIPTION

FIG. 1 is a perspective view of a chair according to this design;
 FIG. 2 is a front view thereof;
 FIG. 3 is a right side view thereof; the left side view being a mirror image of the left side view;
 FIG. 4 is a rear elevational view thereof;
 FIG. 5 is a top view thereof; and,
 FIG. 6 is a bottom view thereof.
 The broken lines define the bounds of the claim and form no part thereof.

1 Claim, 3 Drawing Sheets



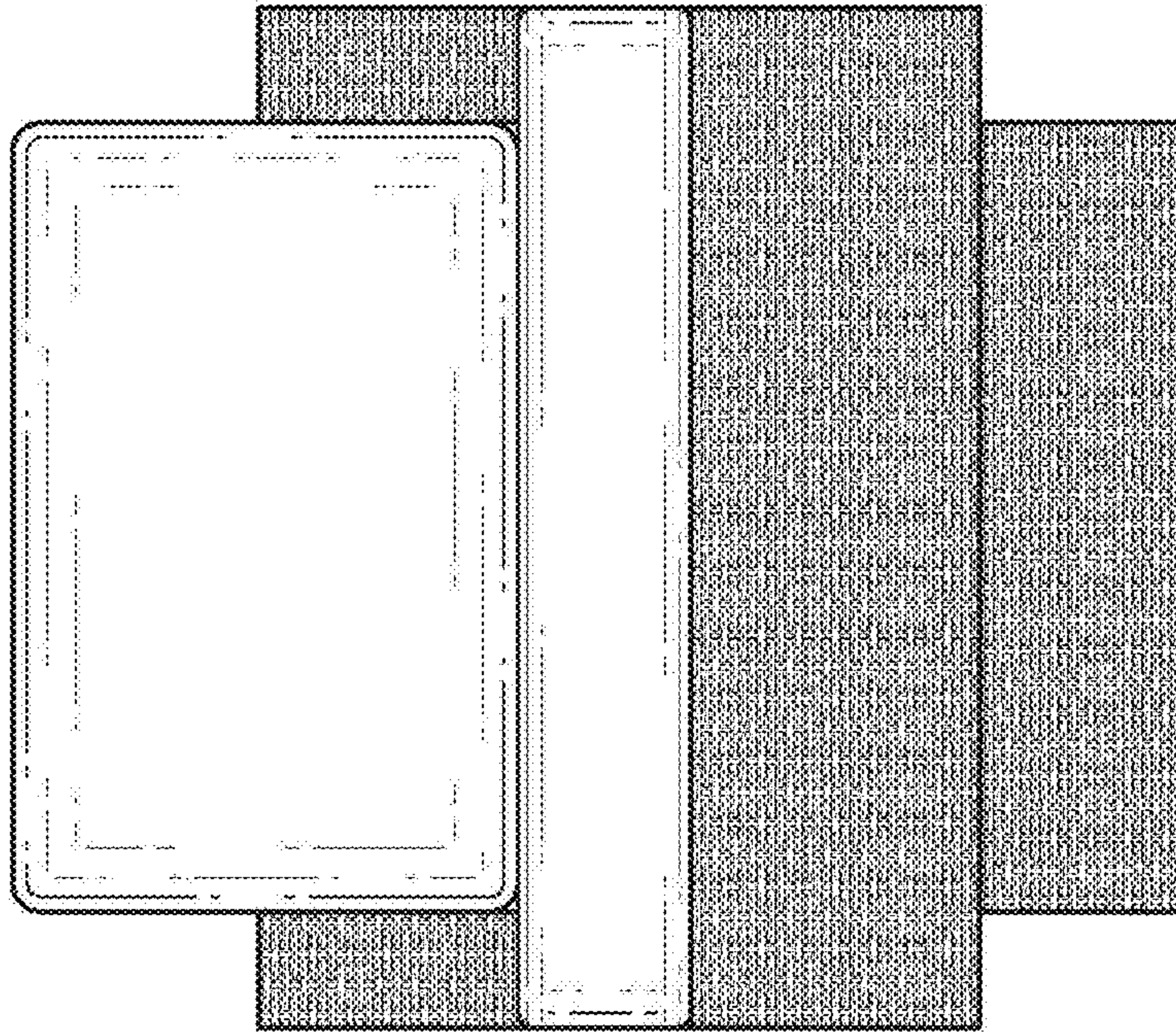


FIG. 2

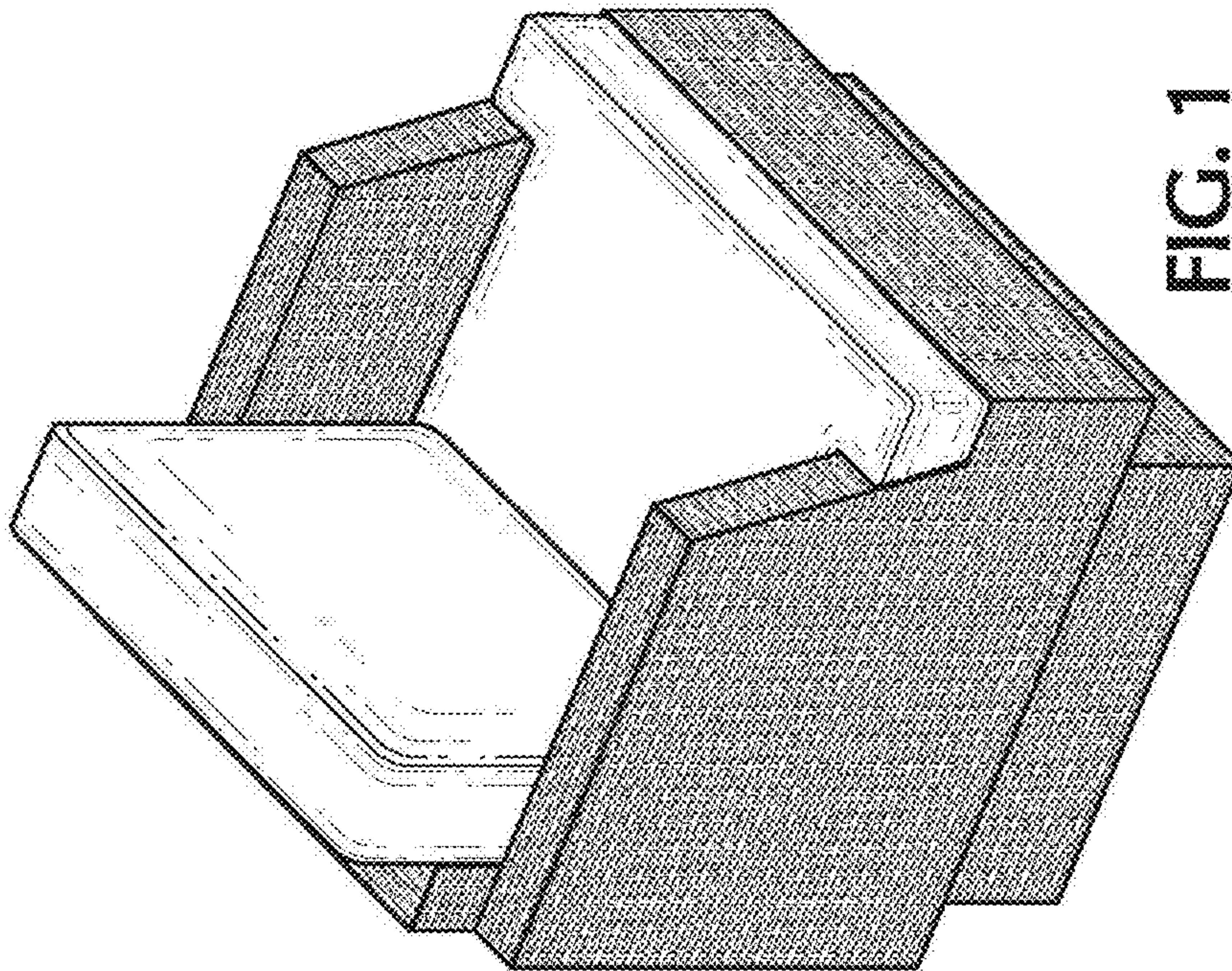


FIG. 1

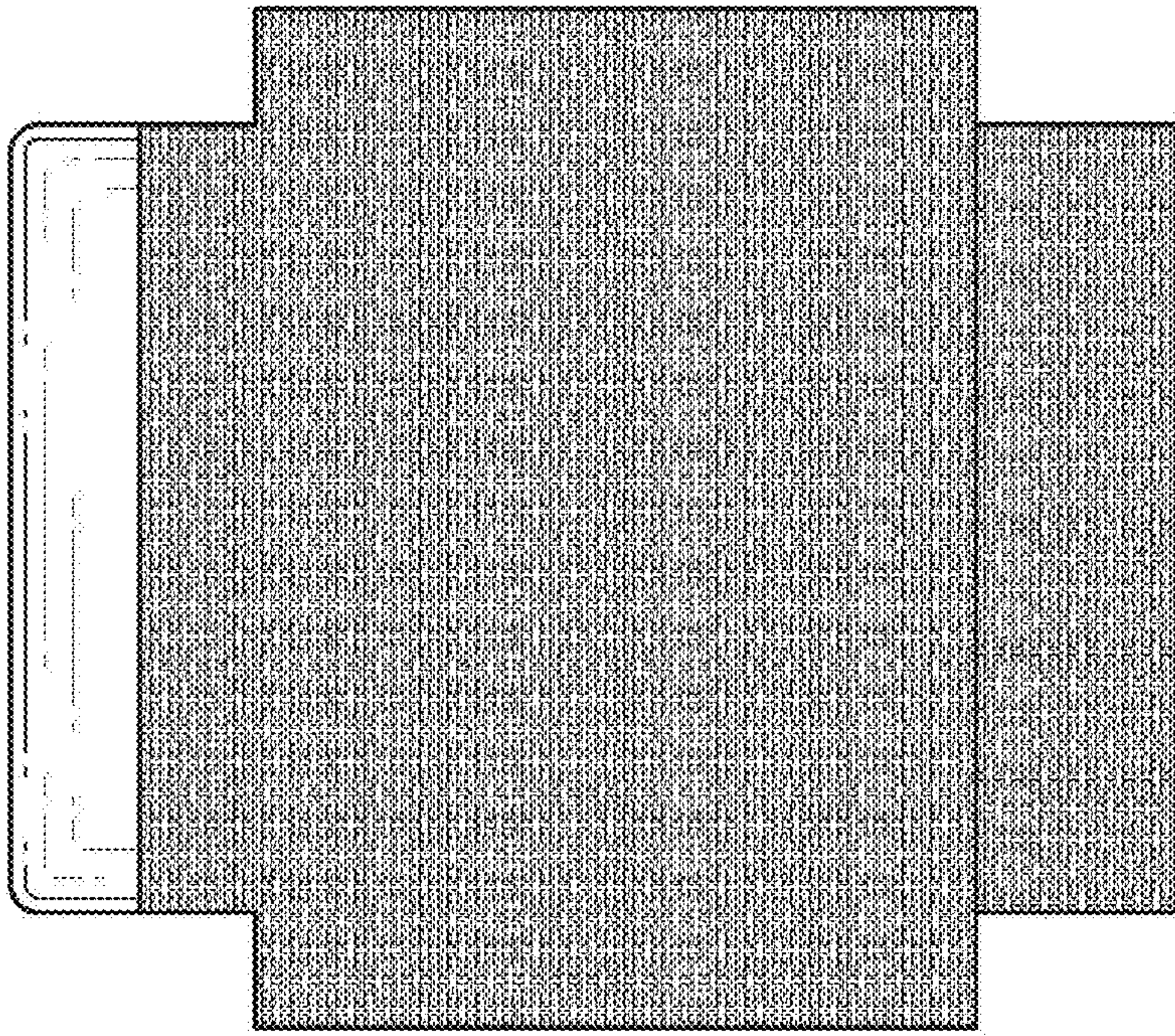


FIG. 4

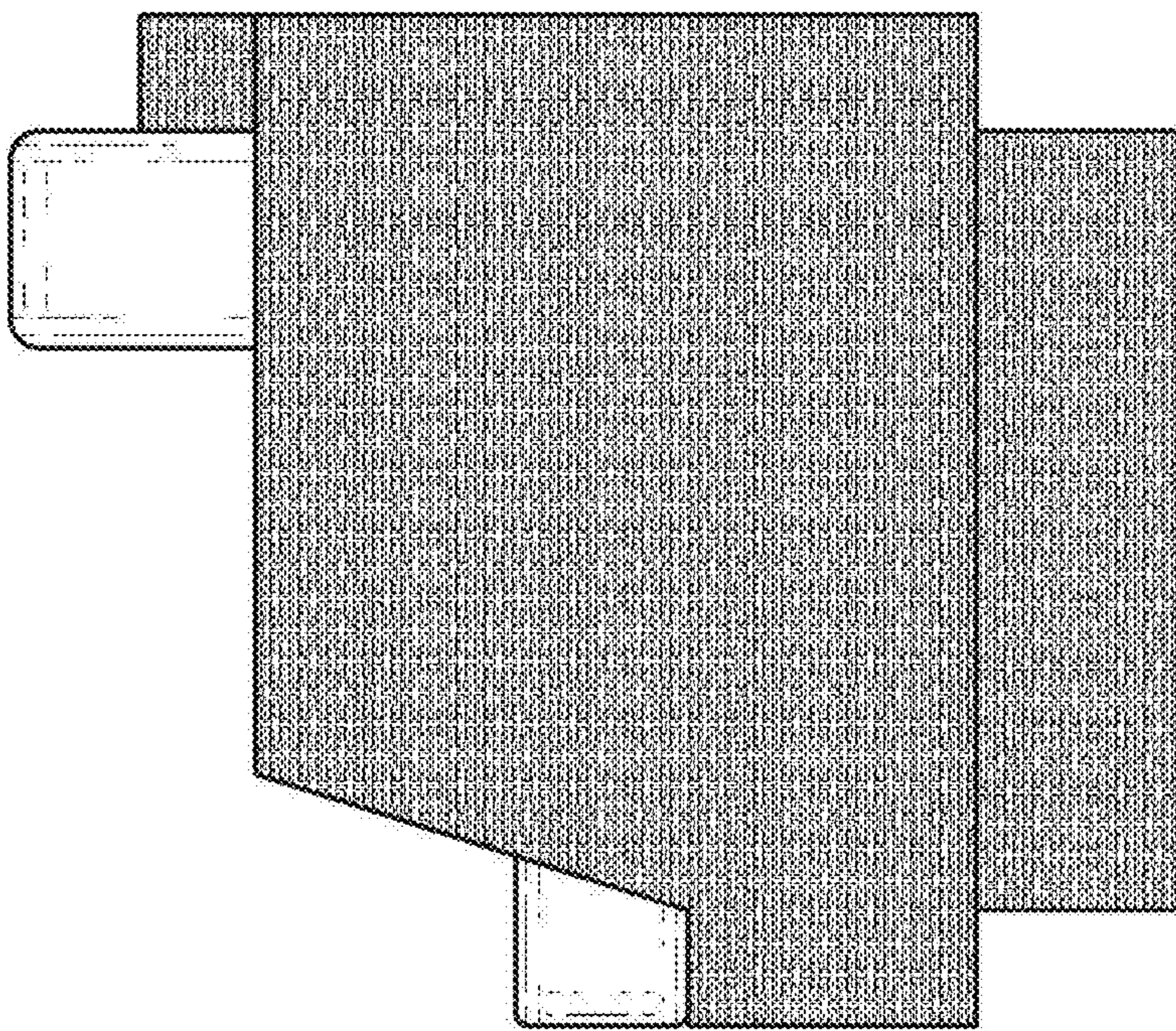


FIG. 3

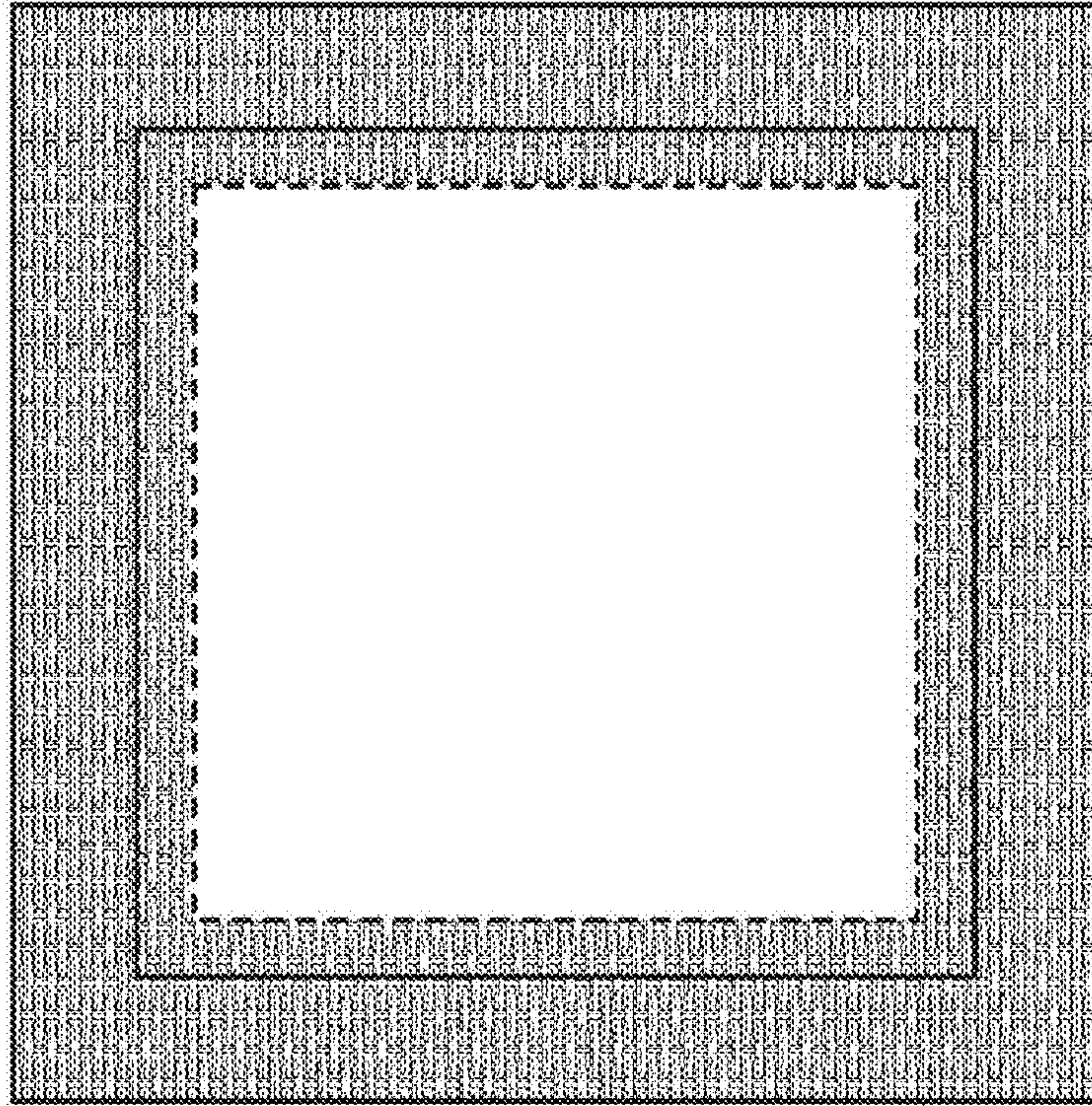


FIG. 6

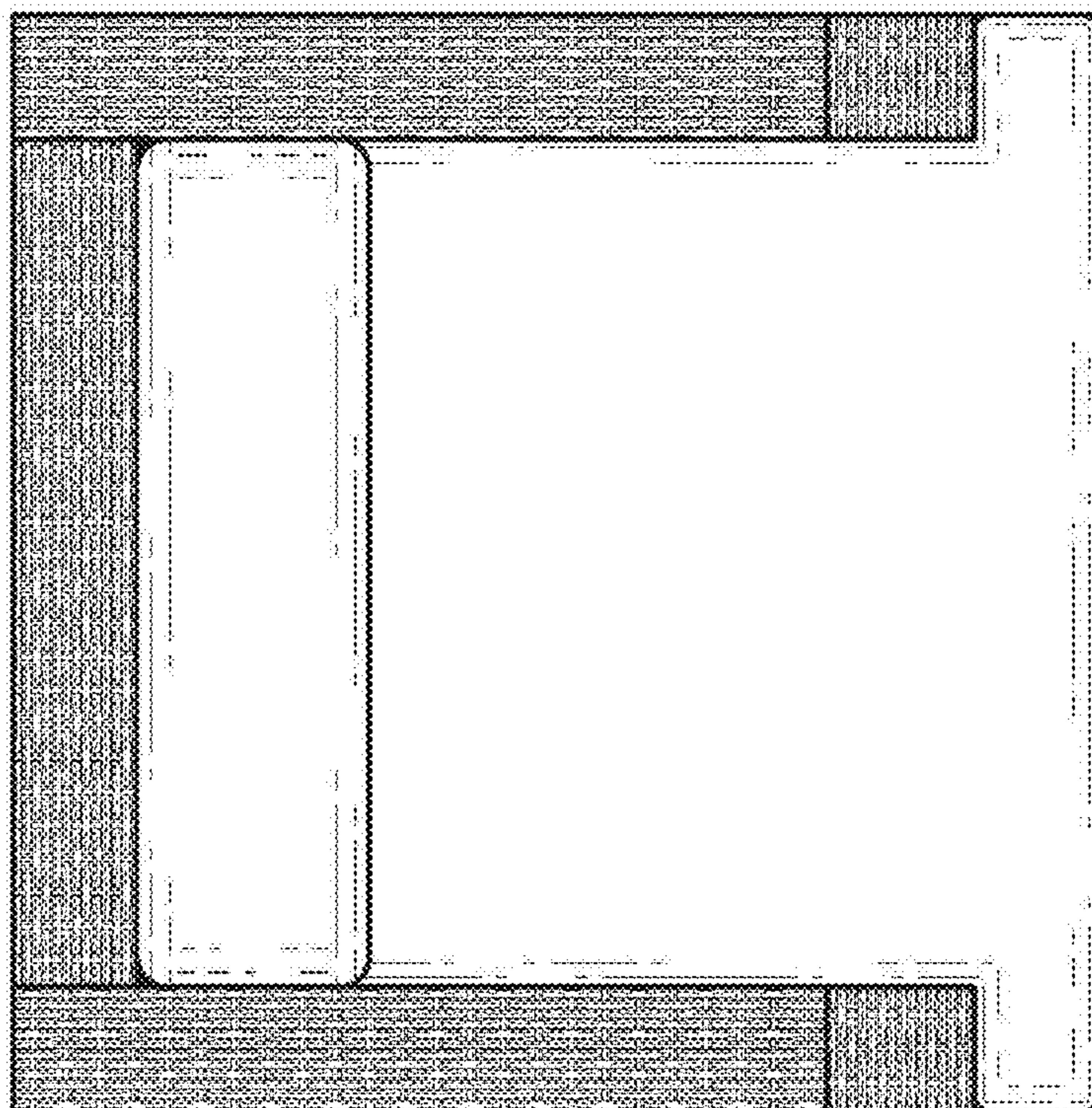


FIG. 5