



US00D819990S

(12) **United States Design Patent**
Ono

(10) **Patent No.:** **US D819,990 S**
(45) **Date of Patent:** **** Jun. 12, 2018**

- (54) **CHAIR**
- (71) Applicant: **Okamura Corporation**, Yokohama-shi, Kanagawa-ken (JP)
- (72) Inventor: **Naho Ono**, Yokohama (JP)
- (73) Assignee: **Okamura Corporation**, Yokohama-shi, Kanagawa (JP)
- (**) Term: **15 Years**
- (21) Appl. No.: **29/598,640**
- (22) Filed: **Mar. 28, 2017**

D668,069	S	*	10/2012	Shokouhi	D6/349
D725,942	S	*	4/2015	Rieber	A47C 16/02
						D6/601
D793,754	S	*	8/2017	Ono	D6/334
D795,621	S	*	8/2017	Ono	D6/360
D798,624	S	*	10/2017	Ono	D6/366
D799,846	S	*	10/2017	Ono	D6/375
D800,465	S	*	10/2017	Ono	D6/360
D800,466	S	*	10/2017	Ono	D6/360
9,894,998	B2	*	2/2018	Walser	A47C 3/02
2016/0088944	A1	*	3/2016	Walser	A47C 3/02
						297/313

- (30) **Foreign Application Priority Data**
- Sep. 30, 2016 (JP) 2016-021169
- (51) **LOC (11) Cl.** **06-01**
- (52) **U.S. Cl.**
- USPC **D6/352**
- (58) **Field of Classification Search**
- USPC D6/334, 336, 349-353, 360, 364-367, D6/371-373, 374, 403-405, 601, D6/691-691.9, 692-692.6, 716-716.3
- CPC A47B 7/00; A47B 7/02; A47B 9/00; A47B 13/02; A47B 23/00; A47B 39/00; A47C 3/18; A47C 3/20; A47C 7/002; A47C 7/18; A47C 9/002; A47C 9/007; A47C 9/02; A47C 9/025; A47C 9/08; A47C 11/00; A47C 12/00; A47C 13/00; A47C 16/02; A47C 16/04
- See application file for complete search history.

- (56) **References Cited**
- U.S. PATENT DOCUMENTS**
- 4,998,774 A * 3/1991 Huff A47C 9/007
297/452.41
- D346,703 S * 5/1994 Grosfillex D6/349
- D579,676 S * 11/2008 Rheault D6/349

OTHER PUBLICATIONS

Repiroue iF World Design Guide. [online] Published on Oct. 7, 2016. Retrieved Feb. 15, 2018 from URL: <https://ifworld-designguide.com/entry/205669-repiroue>.*

Small Wood Four Legged Stool Modern Plant Stand Choose. [online] Published on Feb. 15, 2018. Retrieved Feb. 15, 2018 from URL: https://www.etsy.com/listing/543554066/small-wood-four-legged-stool-modern_ga_order=most_relevant&ga_search_type=all&ga_view_type=gallery&ga_search_query=small%20stool&ref=sc_gallery-1-1&plkey=918cf9.*

* cited by examiner

Primary Examiner — Vy N Koenig
(74) *Attorney, Agent, or Firm* — Sughrue Mion, PLLC

(57) **CLAIM**

The ornamental design for a chair, as shown and described.

DESCRIPTION

FIG. 1 is a perspective view of a chair.
FIG. 2 is a front elevation view thereof. A rear elevation view is identical to the front elevation view.
FIG. 3 is a right side elevation view thereof. A left side elevation view is identical to the right side elevation view.
FIG. 4 is a top plan view thereof; and,
FIG. 5 is a bottom plan view thereof.

1 Claim, 5 Drawing Sheets

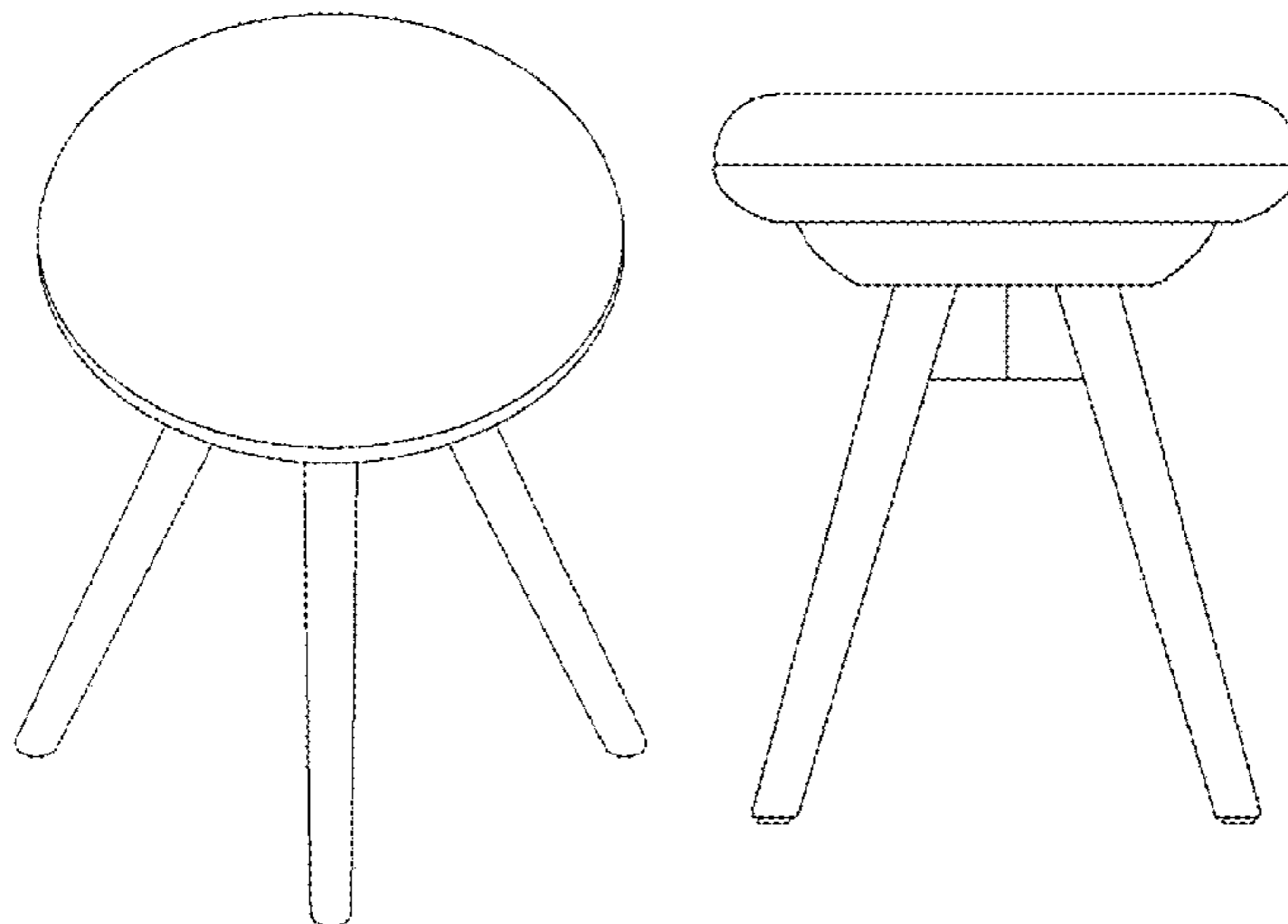


FIG. 1

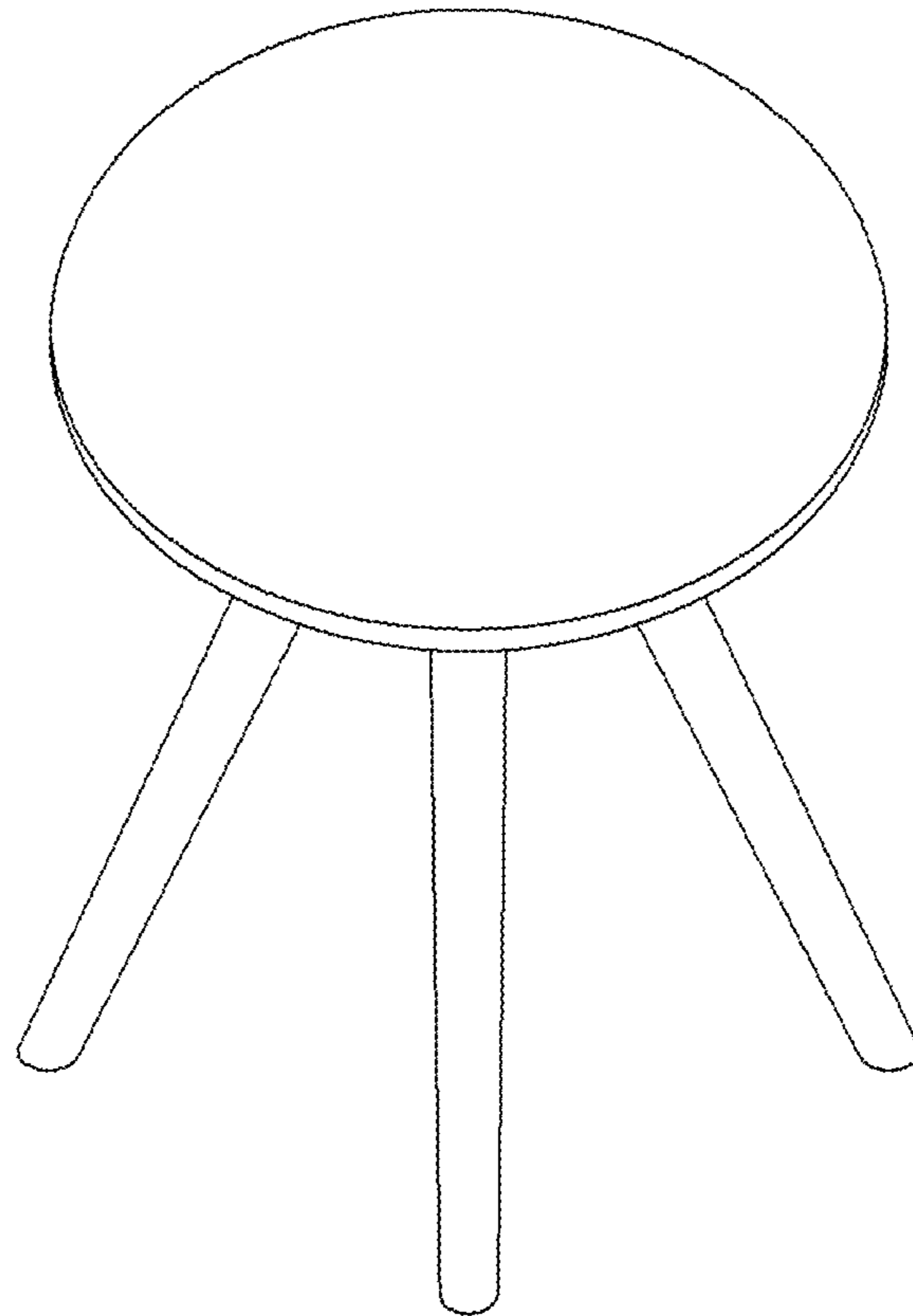


FIG. 2

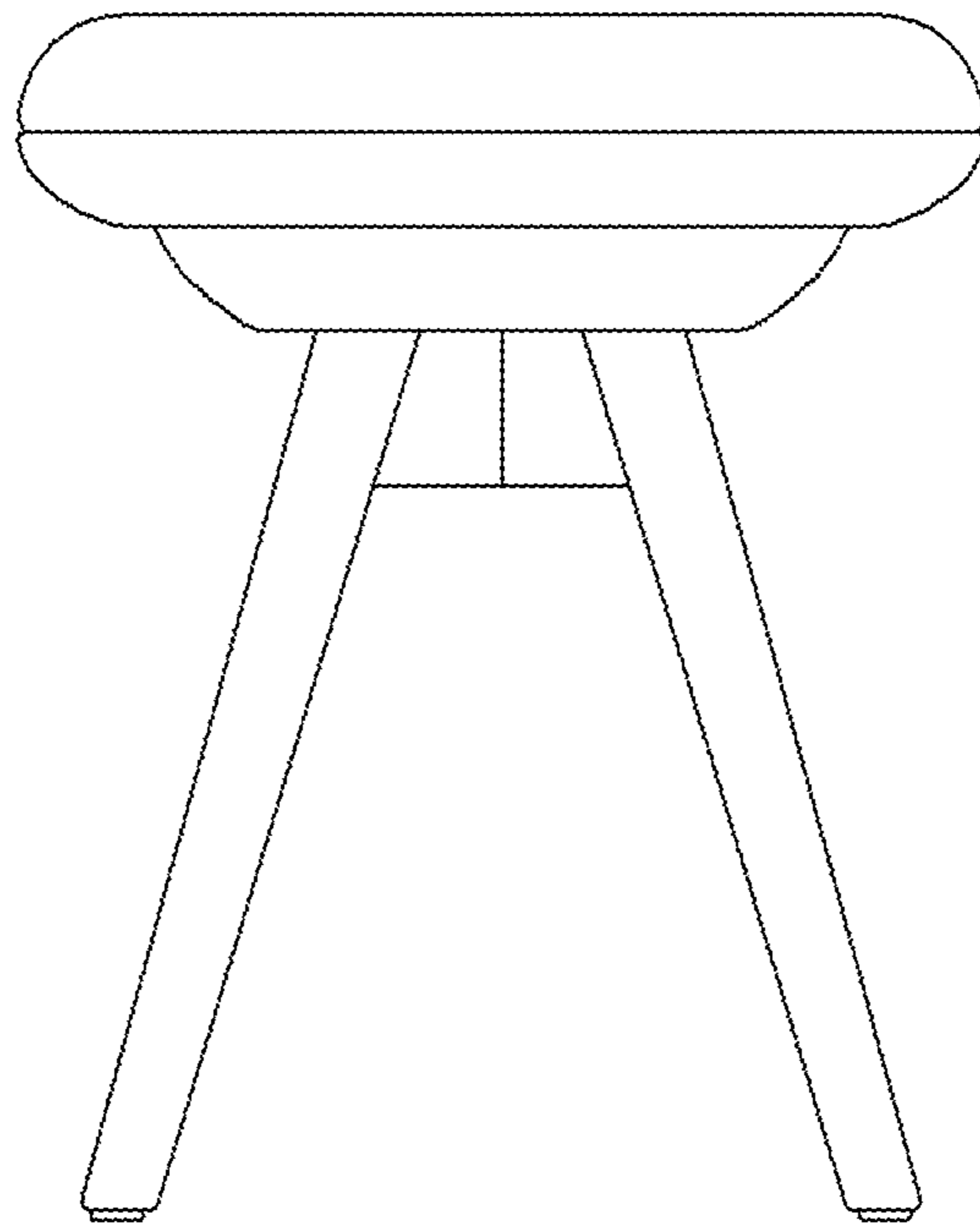


FIG. 3

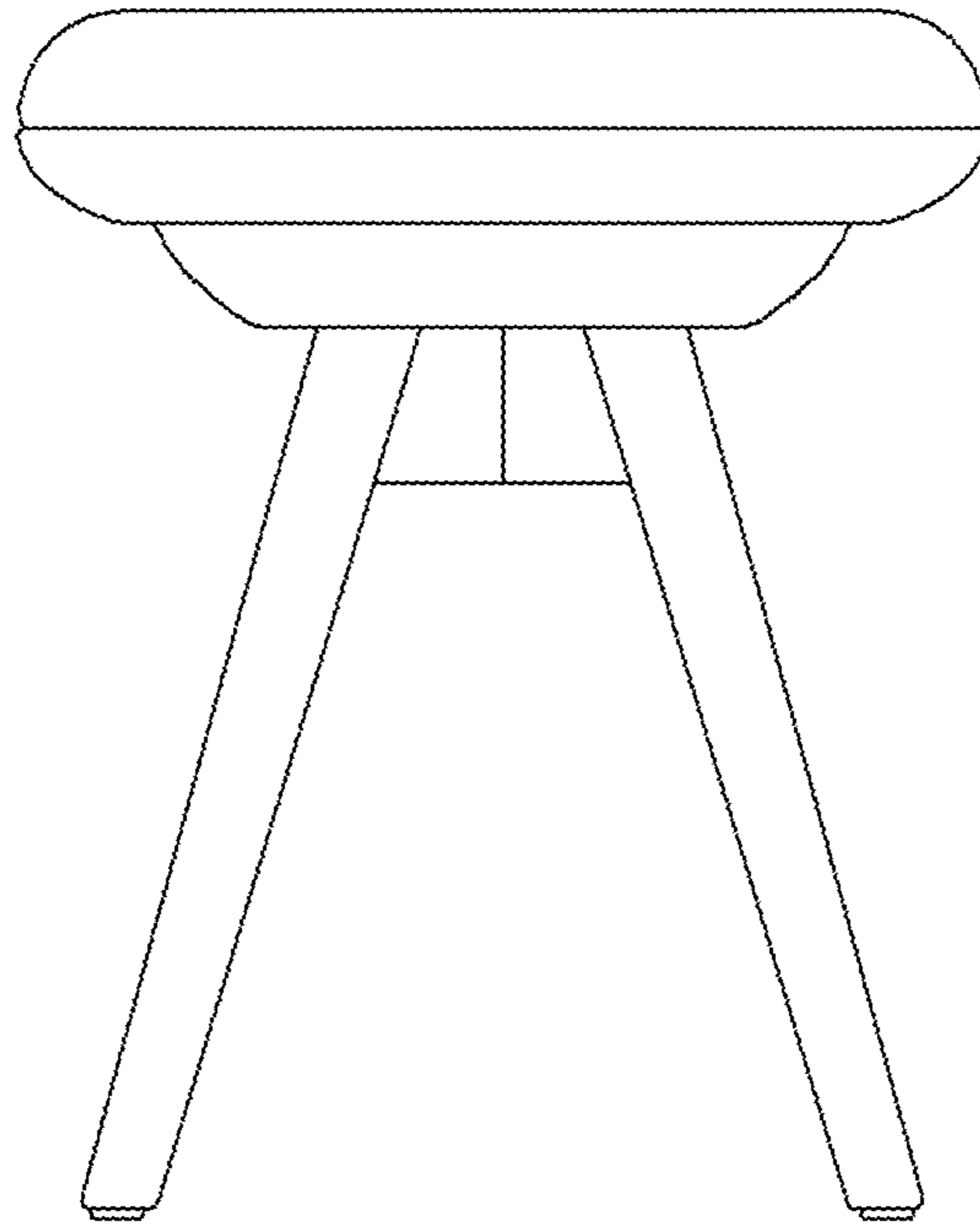


FIG. 4

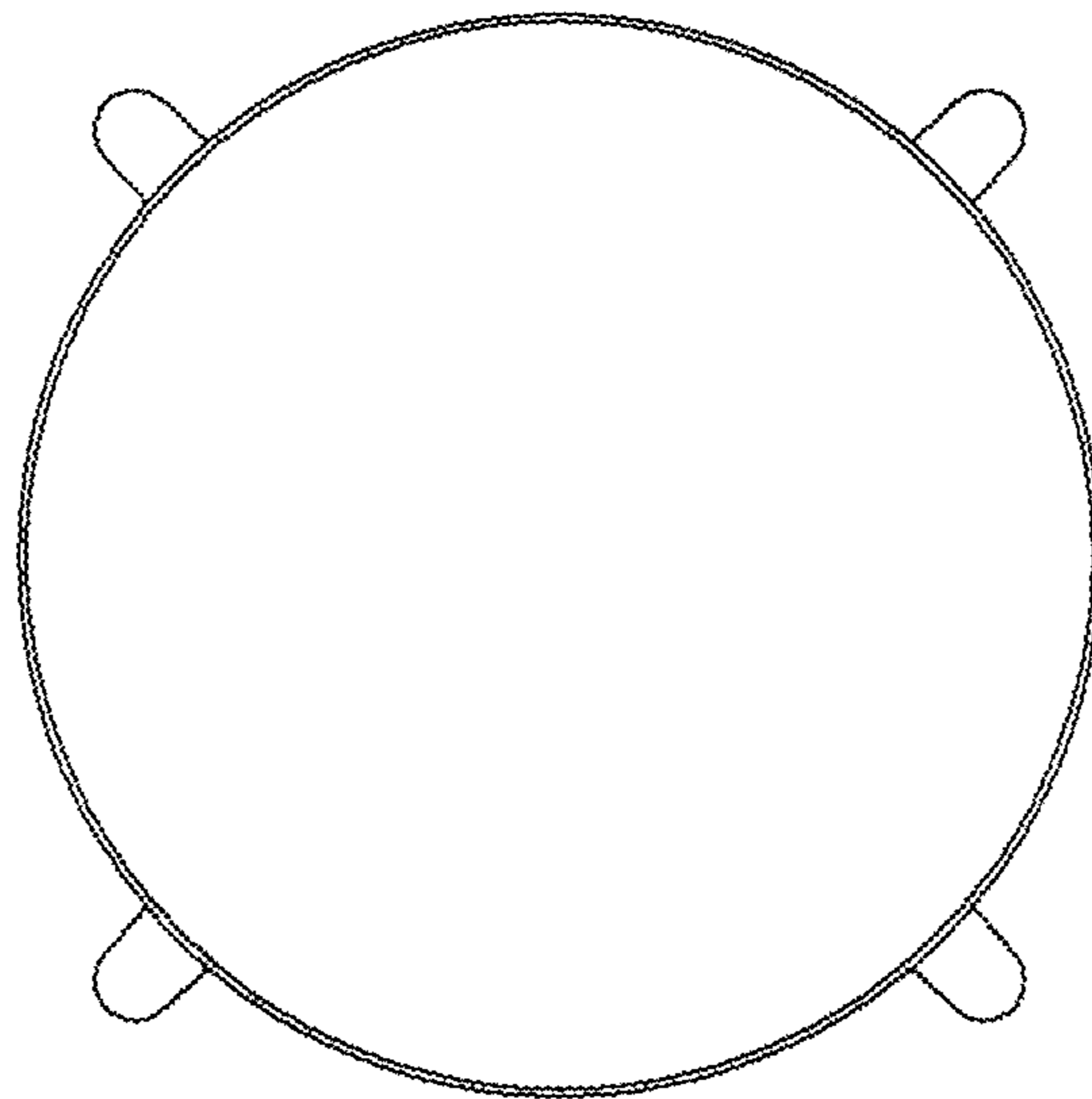


FIG. 5

