



US00D819989S

(12) **United States Design Patent** (10) **Patent No.:** **US D819,989 S**
Hassman (45) **Date of Patent:** **** Jun. 12, 2018**

(54) **HANGING BASKETBALL CHAIR**
(71) Applicant: **Ellen Hassman**, Hollywood, FL (US)
(72) Inventor: **Ellen Hassman**, Hollywood, FL (US)
(**) Term: **15 Years**
(21) Appl. No.: **29/606,764**
(22) Filed: **Jun. 7, 2017**
(51) **LOC (11) Cl.** **06-01**
(52) **U.S. Cl.**
USPC **D6/345; D6/347**
(58) **Field of Classification Search**
USPC D6/345, 347, 344, 351, 358, 388, 404,
D6/658, 665, 674, 688, 703.6, 707.1,
D6/708.1, 709.1, 717.1, 718.15, 718.27,
D6/539, 597, 303, 316; D10/6;
D21/315, 318, 319, 708, 709, 712, 713,
D21/780, 816, 825, 831, 836; D11/48,
D11/81, 99, 133, 157; D20/29; D9/516,
D9/549, 550, 563
CPC A47D 13/105; A47D 13/107; A47C 1/00;
A47C 3/00; A47C 3/02; A47C 3/025;
A47C 3/0255
See application file for complete search history.

6,116,682 A * 9/2000 Baur A47C 3/12
297/118
D446,823 S * 8/2001 Podd D21/329
D496,169 S * 9/2004 Hightower D6/337
D501,328 S * 2/2005 Fonfeder D6/303
D507,305 S * 7/2005 Dill D19/90
D516,105 S * 2/2006 Bradley D16/202
D517,819 S * 3/2006 Zheng D6/358
D522,260 S * 6/2006 Strachan D6/347
D538,545 S * 3/2007 Zimmermann D6/358
D541,058 S * 4/2007 Dykstra D6/333
D611,729 S * 3/2010 Lau D6/674
D627,358 S * 11/2010 Allo Allo D14/440
D638,071 S * 5/2011 Tyler D21/372
9,861,181 B2 * 1/2018 Wehner A45F 3/26
2003/0024448 A1 * 2/2003 Lieberman A47B 13/16
108/161
2007/0283611 A1 * 12/2007 Laurent G09F 23/00
40/700

* cited by examiner

Primary Examiner — Deanna L Pratt
(74) *Attorney, Agent, or Firm* — Robert M. Downey, P.A.

(57) **CLAIM**

The ornamental design for a hanging basketball chair, as shown and described.

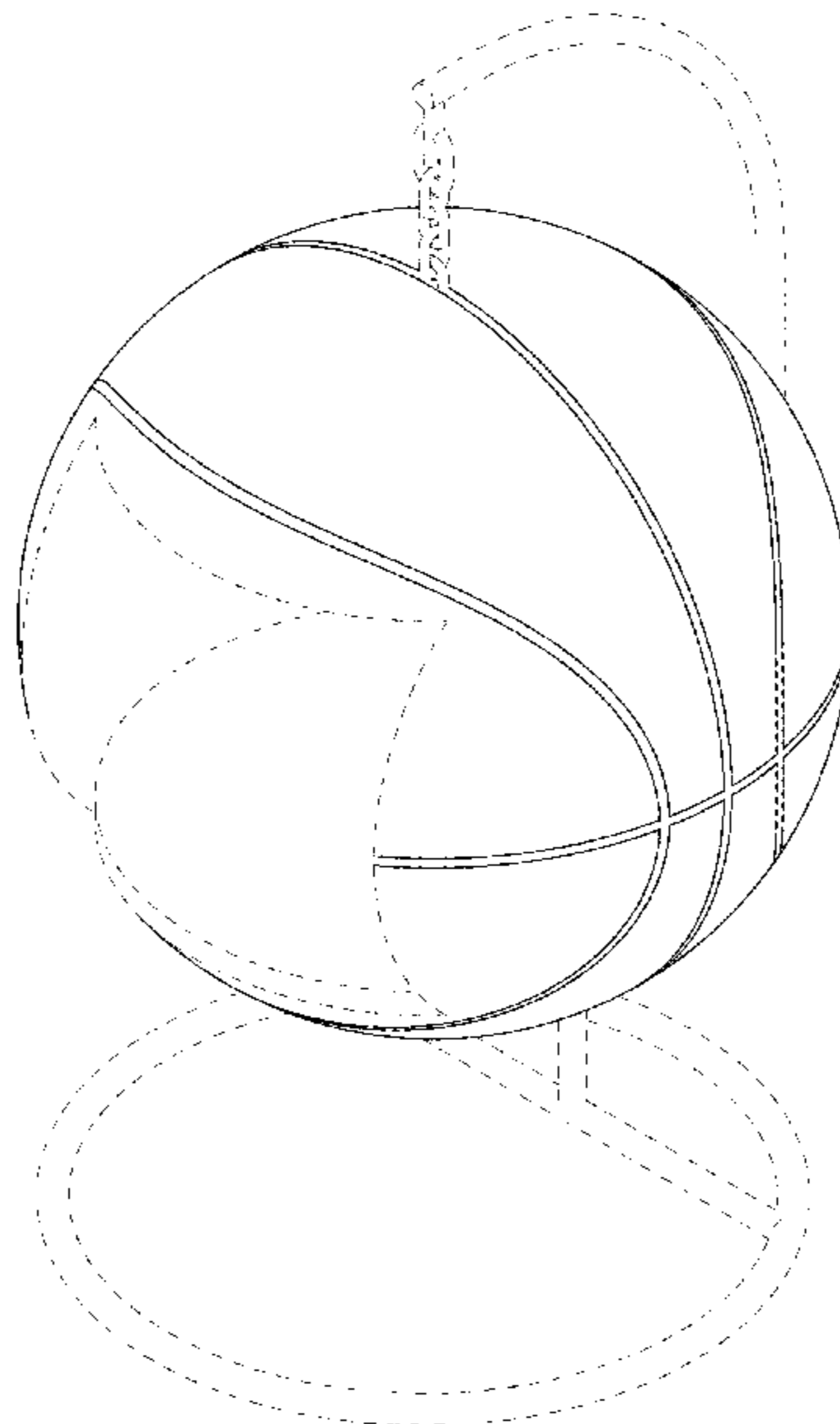
DESCRIPTION

FIG. 1 is a front, top perspective view of a hanging basketball chair showing my new design;
FIG. 2 is a front elevational view thereof;
FIG. 3 is a rear elevational view thereof;
FIG. 4 is a left side elevational view thereof;
FIG. 5 is a right side elevational view thereof;
FIG. 6 is a top plan view thereof; and,
FIG. 7 is a bottom plan view thereof.
The broken lines illustrate portions of the hanging basketball chair that form no part of the claimed design.

1 Claim, 7 Drawing Sheets

(56) **References Cited**
U.S. PATENT DOCUMENTS

D265,454 S * 7/1982 Martin D6/303
D266,040 S * 9/1982 Cope D6/347
D273,943 S * 5/1984 Dillon D10/6
4,454,204 A * 6/1984 Posey A63H 5/00
428/11
D278,549 S * 4/1985 Kristich D21/823
D282,970 S * 3/1986 Parkin D25/16
D369,476 S * 5/1996 Quill D6/344
D384,211 S * 9/1997 Wied D6/349



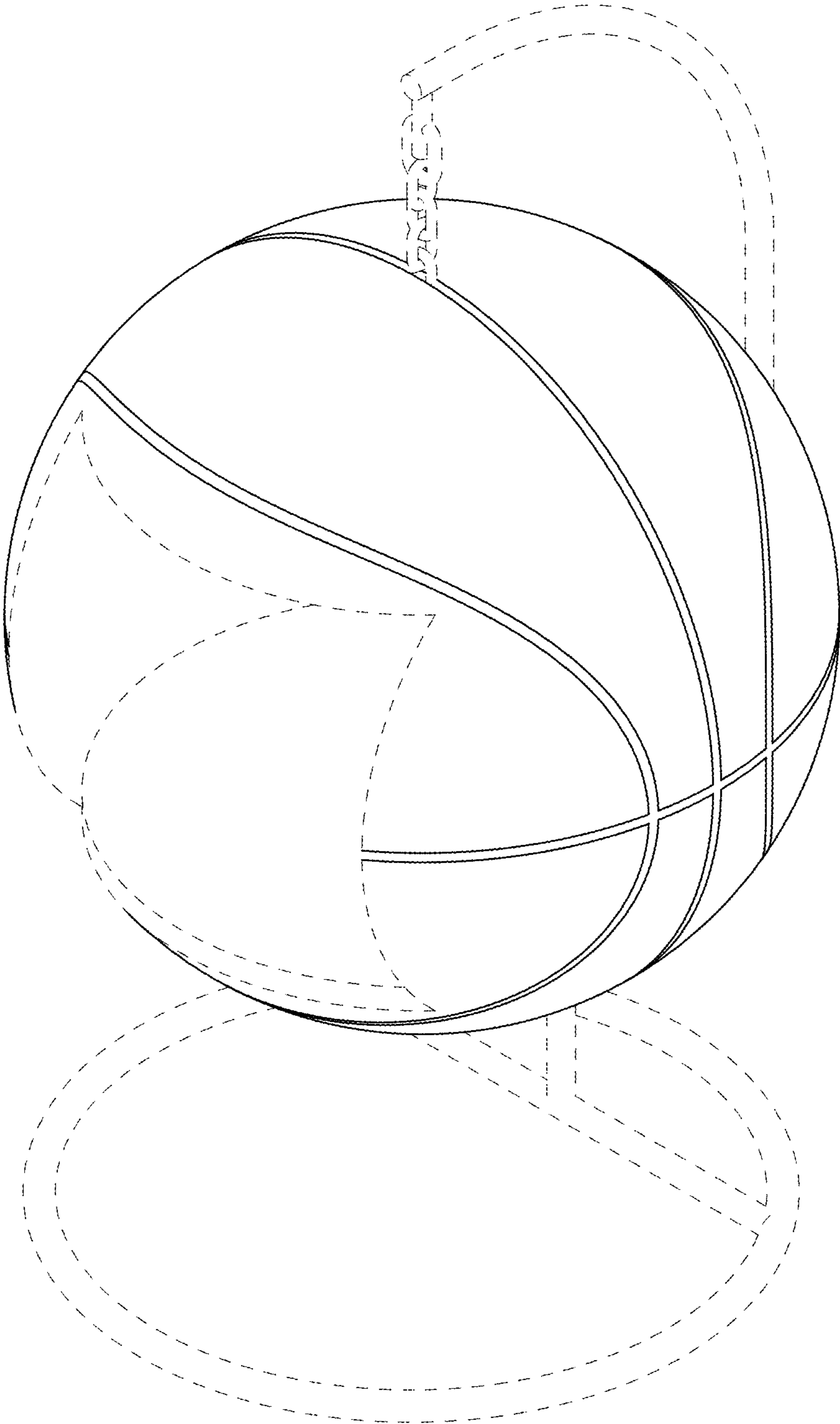


FIG. 1

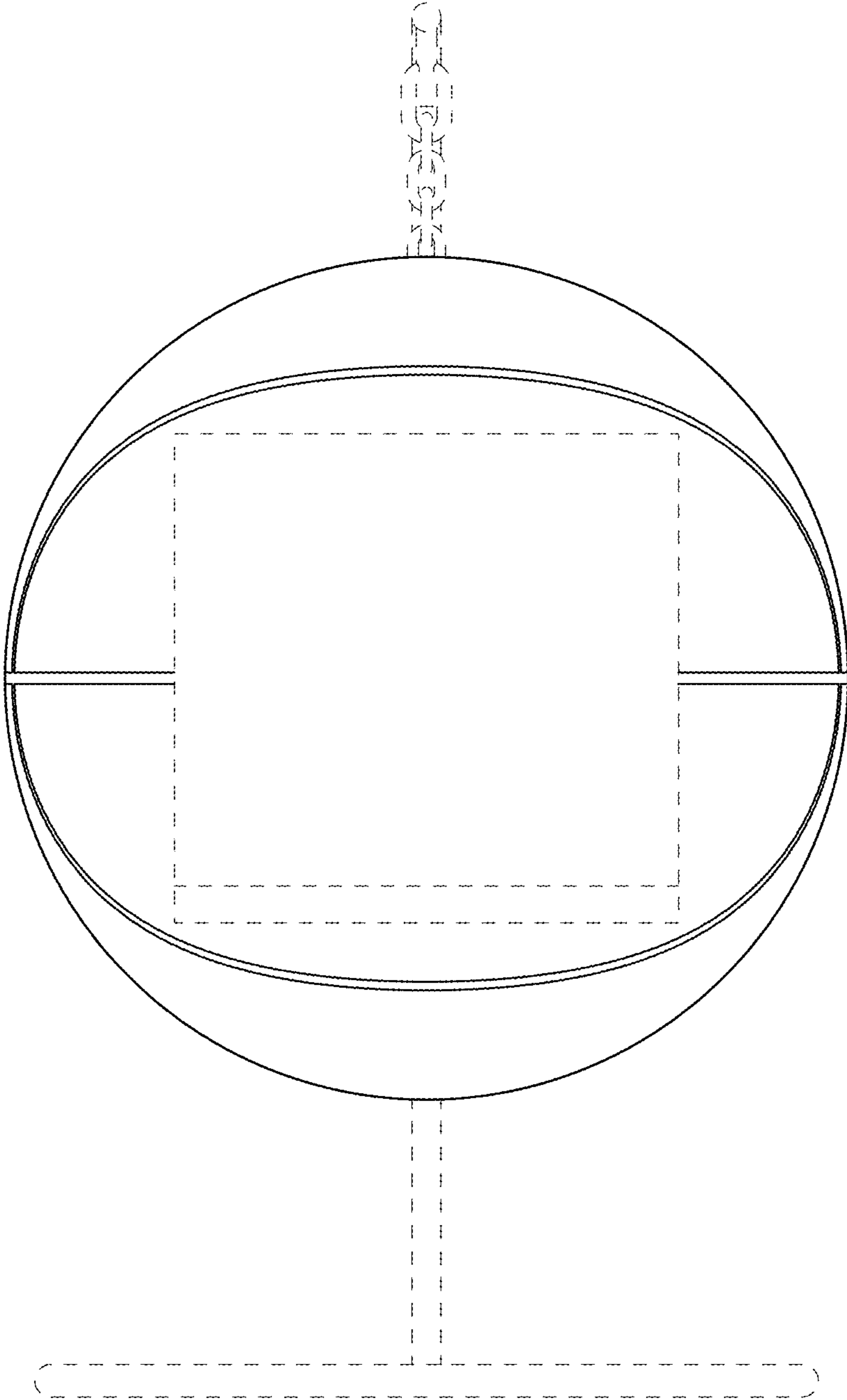


FIG. 2

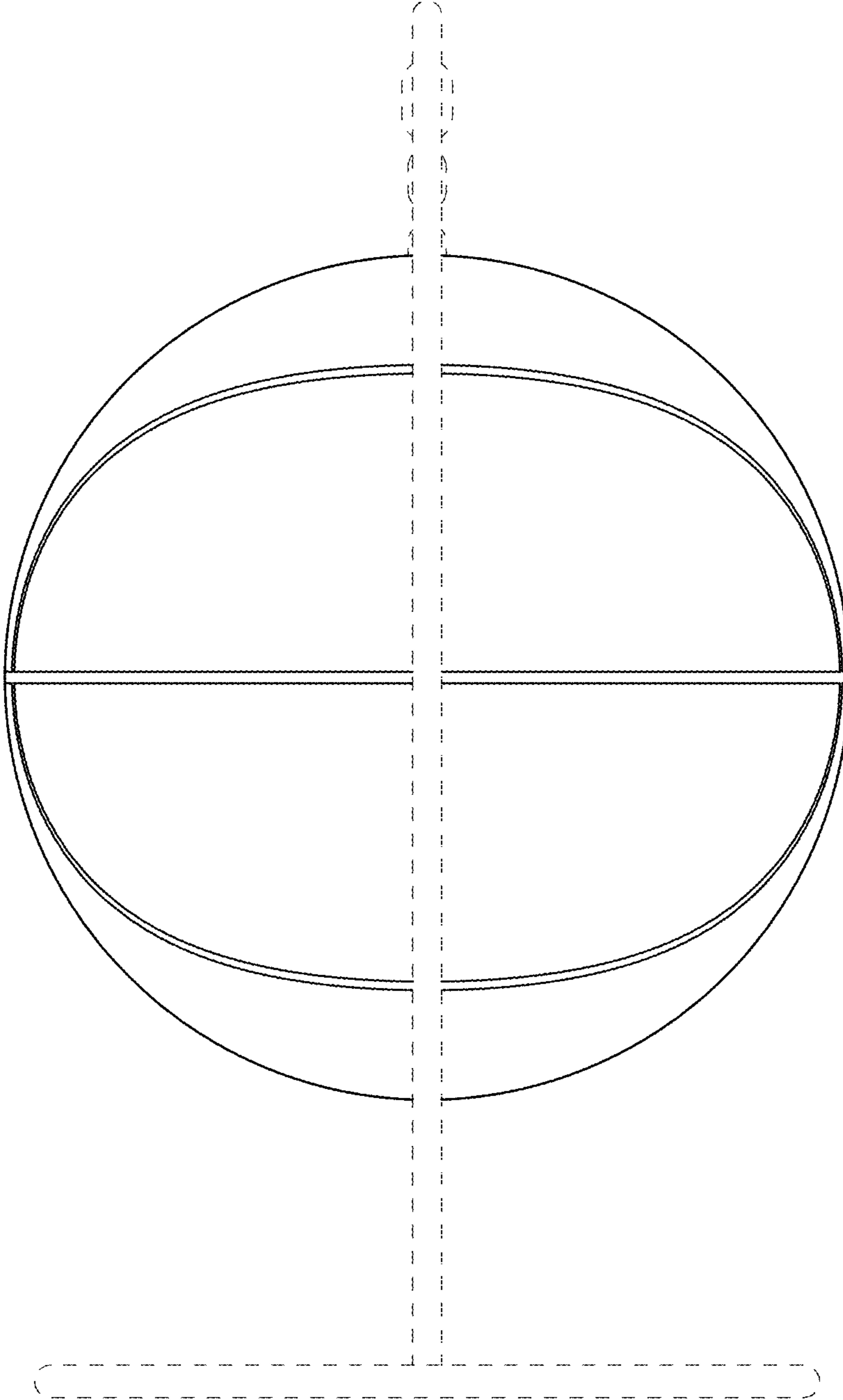


FIG. 3

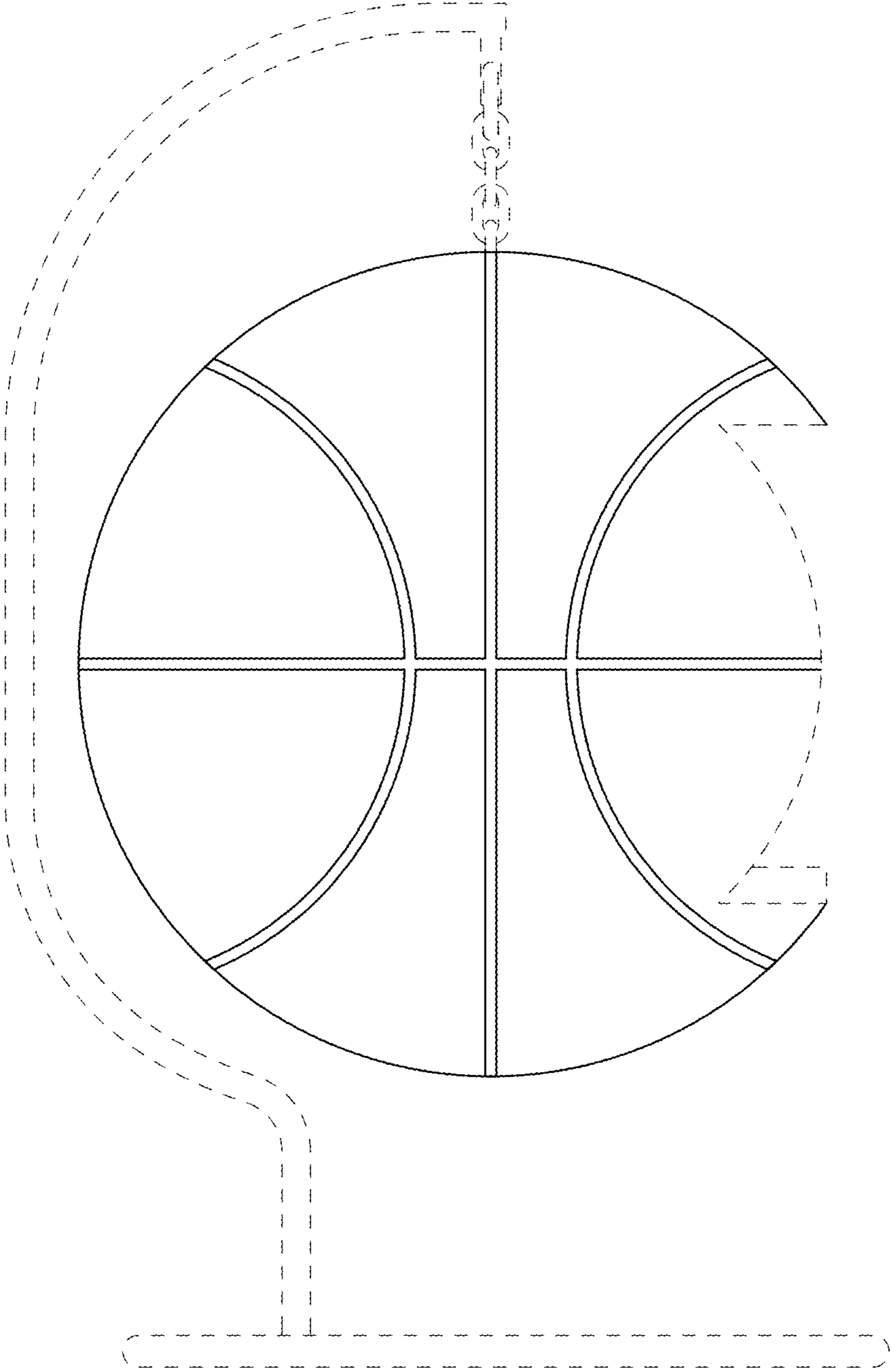


FIG. 4

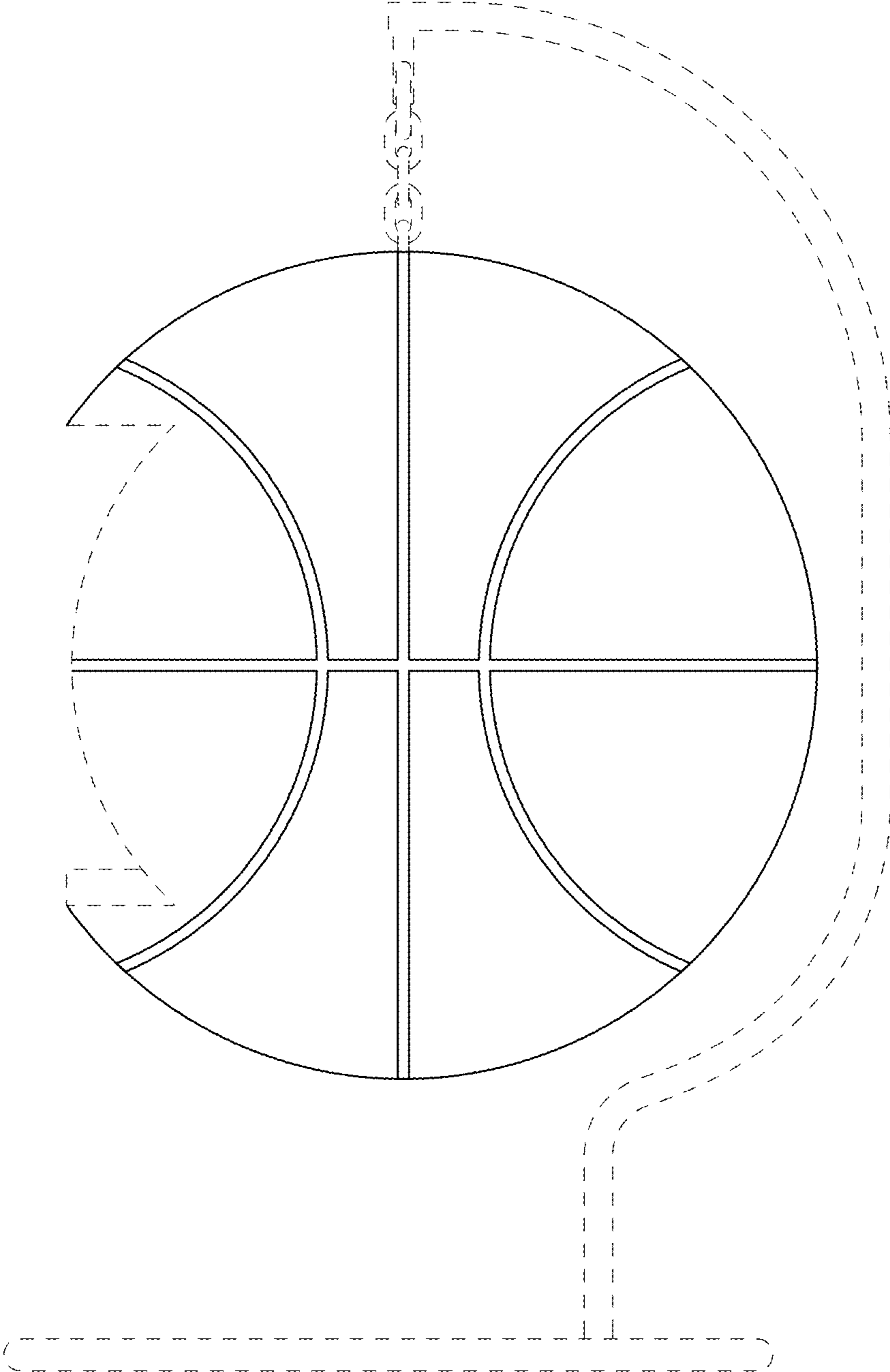


FIG. 5

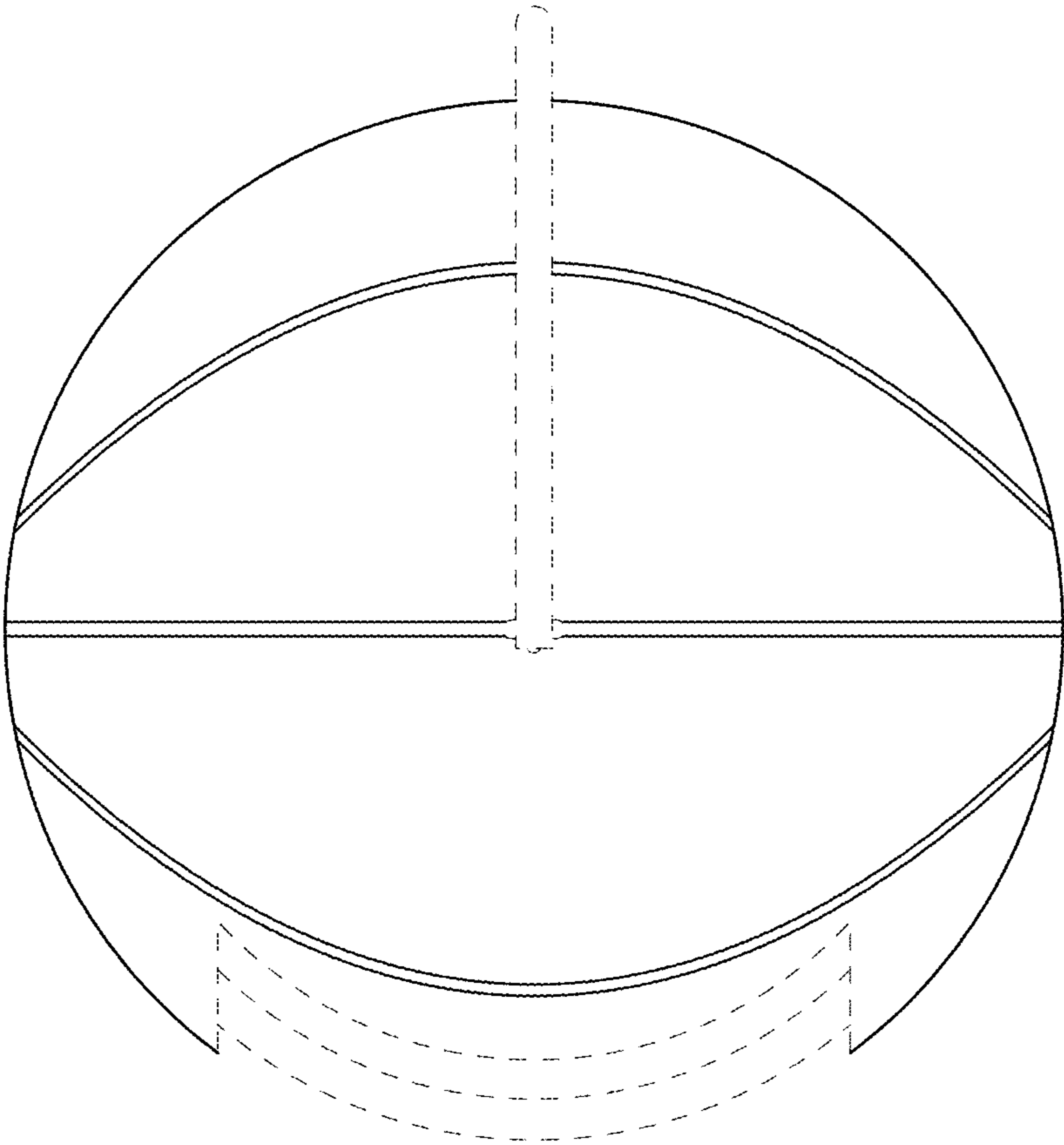


FIG. 6

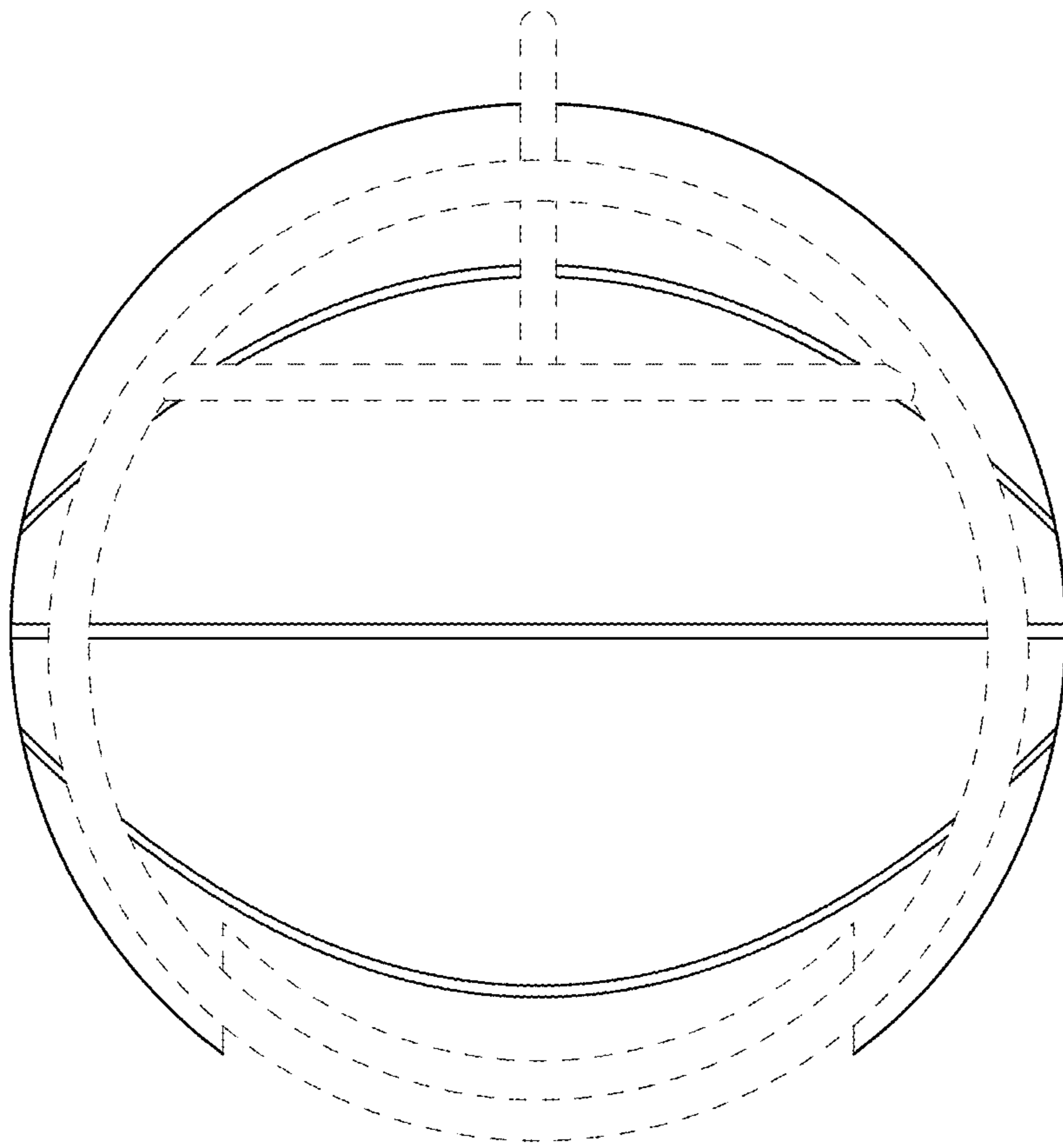


FIG. 7