



US00D819988S

(12) **United States Design Patent**  
**Jeanphilippe**

(10) **Patent No.:** **US D819,988 S**  
(45) **Date of Patent:** **\*\* Jun. 12, 2018**

(54) **PORTABLE DESK**

(71) Applicant: **Wesnel Jeanphilippe**, East Orange, NJ  
(US)

(72) Inventor: **Wesnel Jeanphilippe**, East Orange, NJ  
(US)

(73) Assignee: **Wesnel Jeanphilippe**, East Orange, NJ  
(US)

(\*\*) Term: **15 Years**

(21) Appl. No.: **29/631,498**

(22) Filed: **Dec. 29, 2017**

(51) **LOC (11) Cl.** ..... **06-01**

(52) **U.S. Cl.**  
USPC ..... **D6/338**

(58) **Field of Classification Search**  
USPC ..... D6/334-343, 349, 350, 367, 368, 374,  
D6/375, 377, 381, 642, 656.12, 686,  
D6/691.6, 716  
CPC ..... A47B 3/14; A47B 2003/145; A47B 83/02;  
A47B 83/001; A47B 83/008; A47B  
2083/025  
See application file for complete search history.

(56) **References Cited**

U.S. PATENT DOCUMENTS

33,392 A	10/1861	Hunzinger G	
427,413 A *	5/1890	Fritz	A47B 83/02 297/126
1,557,541 A *	10/1925	Lynch	A47B 27/02 297/156
1,856,977 A *	5/1932	Swensson	A47B 39/06 108/121
1,948,387 A *	2/1934	Levy	A47C 4/38 297/126
D109,228 S	4/1938	Morgan	
2,162,560 A *	6/1939	Larsen	A47B 39/00 297/171
2,287,614 A *	6/1942	Hawkins	A47C 4/18 108/10

(Continued)

FOREIGN PATENT DOCUMENTS

CA	2093248	10/1993
CA	2443785	11/2002

(Continued)

*Primary Examiner* — Deanna L Pratt

(74) *Attorney, Agent, or Firm* — Gearhart Law LLC

(57) **CLAIM**

The ornamental design for a portable desk, as shown and described.

**DESCRIPTION**

FIG. 1 is a perspective view of a first embodiment of a portable desk.

FIG. 2 is a front view thereof.

FIG. 3 is a back view thereof.

FIG. 4 is a left side view thereof.

FIG. 5 is a right side view thereof.

FIG. 6 is a top view thereof.

FIG. 7 is a bottom view thereof.

FIG. 8 is a perspective view of a second embodiment of the portable desk.

FIG. 9 is a front view thereof of the embodiment shown in FIG. 8.

FIG. 10 is a back view thereof of the embodiment shown in FIG. 8.

FIG. 11 is a left side view thereof of the embodiment shown in FIG. 8.

FIG. 12 is a right side view thereof of the embodiment shown in FIG. 8.

FIG. 13 is a top view thereof of the embodiment shown in FIG. 8; and,

FIG. 14 is a bottom view thereof of the embodiment shown in FIG. 8.

**1 Claim, 14 Drawing Sheets**



(56)

References Cited

U.S. PATENT DOCUMENTS

2,530,785 A \* 11/1950 Rocca ..... A47B 3/14  
297/124  
D165,078 S \* 11/1951 Klein ..... D6/349  
D170,331 S \* 9/1953 Moore ..... D6/341  
2,894,561 A \* 7/1959 Mackintosh ..... A47C 5/04  
248/240.4  
2,973,803 A \* 3/1961 Mickelson ..... A47B 3/14  
297/170  
3,178,220 A 4/1965 Kaake  
3,420,571 A \* 1/1969 Moore ..... A47B 3/14  
297/119  
D239,793 S 5/1976 Jones  
D257,916 S \* 1/1981 Shelton ..... D6/340  
D259,306 S 5/1981 Licastro  
D260,203 S 8/1981 Arnold  
D265,151 S \* 6/1982 Roner ..... D6/368  
D269,395 S \* 6/1983 Kapp ..... D6/656.12  
D281,473 S \* 11/1985 Singer ..... D6/368  
D283,177 S 4/1986 Swims  
D326,191 S 5/1992 Schiffman  
D348,569 S 7/1994 Haussmann  
D350,239 S 9/1994 Swanger  
5,413,400 A 5/1995 Llanes  
5,560,676 A 10/1996 Roberts et al.  
5,685,602 A 11/1997 Williams  
5,695,264 A 12/1997 Koch  
5,697,668 A 12/1997 Chao

5,803,562 A 9/1998 Jacobs et al.  
5,876,093 A 3/1999 Williams  
6,010,186 A 1/2000 Tsay  
6,039,392 A 3/2000 Dencker  
D425,321 S 5/2000 Tholkes et al.  
D427,790 S 7/2000 Gargan  
6,186,593 B1 \* 2/2001 Garneau ..... A47B 83/008  
248/464  
6,302,032 B1 \* 10/2001 Ranspach ..... A47B 97/04  
108/12  
D497,487 S 10/2004 Azumi et al.  
D505,022 S 5/2005 Mills et al.  
D556,464 S \* 12/2007 Schoedel ..... D6/336  
7,530,632 B2 5/2009 Kaloustian et al.  
D605,862 S 12/2009 Weeks  
D709,295 S 7/2014 Winebrenner et al.  
D729,530 S 5/2015 Robins et al.  
9,456,684 B1 \* 10/2016 Frankel ..... A47B 3/14  
D789,105 S 6/2017 Voigt et al.  
D803,589 S 11/2017 Rehkemper et al.  
9,814,304 B2 \* 11/2017 Jeanphilippe ..... A47B 3/14  
2006/0071513 A1 4/2006 Pedemonte  
2006/0278770 A1 12/2006 MacLeod  
2008/0000400 A1 1/2008 Curry

FOREIGN PATENT DOCUMENTS

CN 201131458 10/2008  
WO 2012053879 4/2012

\* cited by examiner



FIG. 1

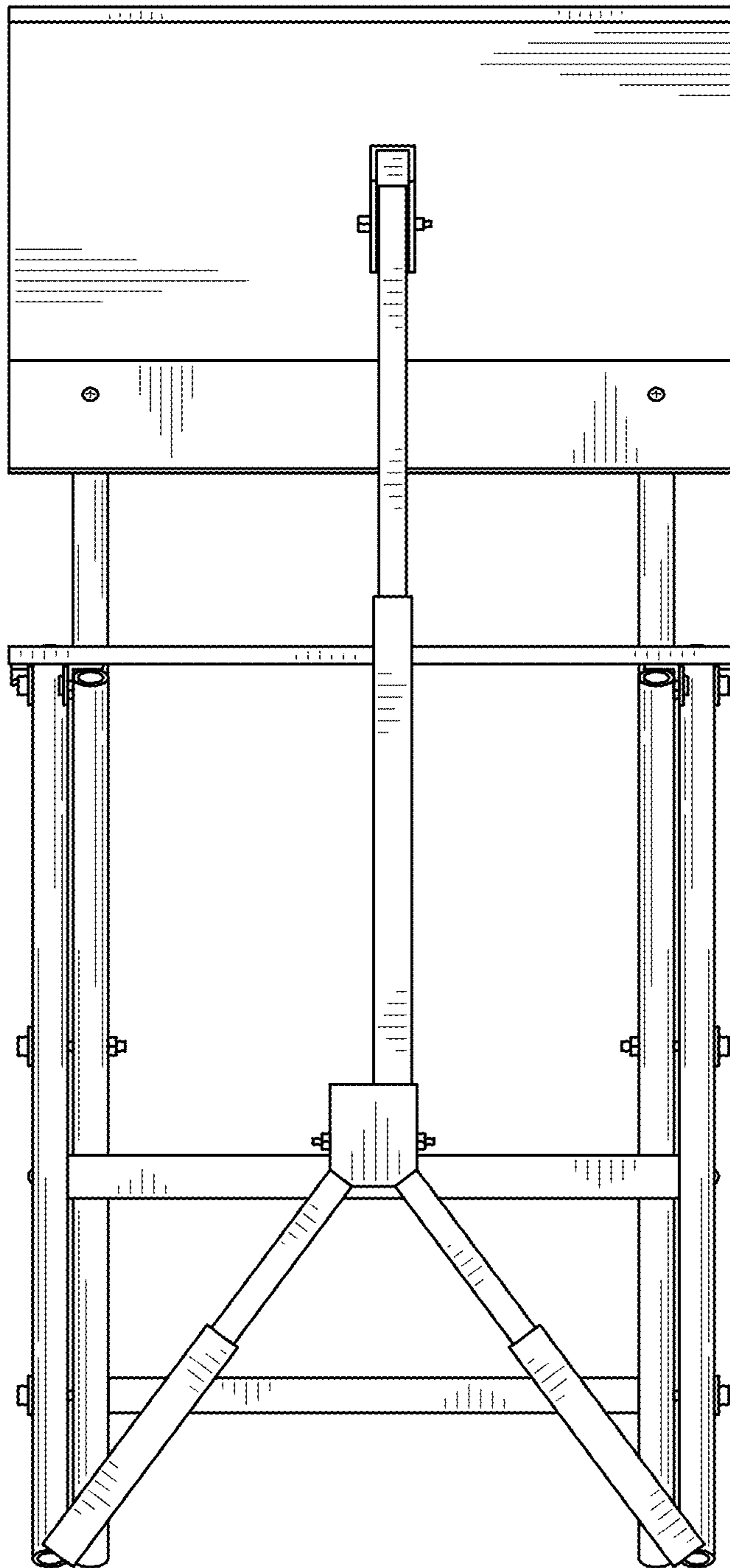


FIG. 2



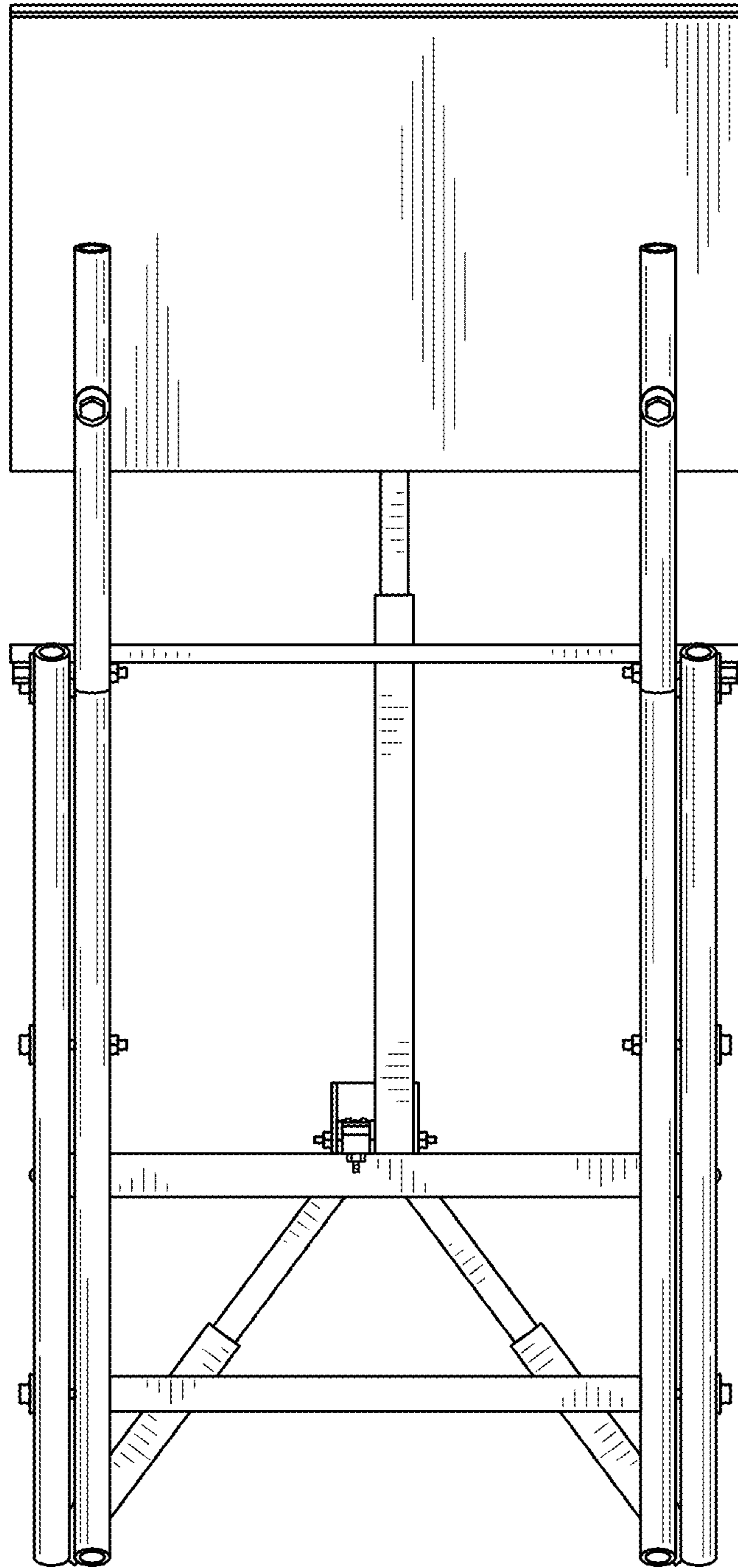


FIG. 3

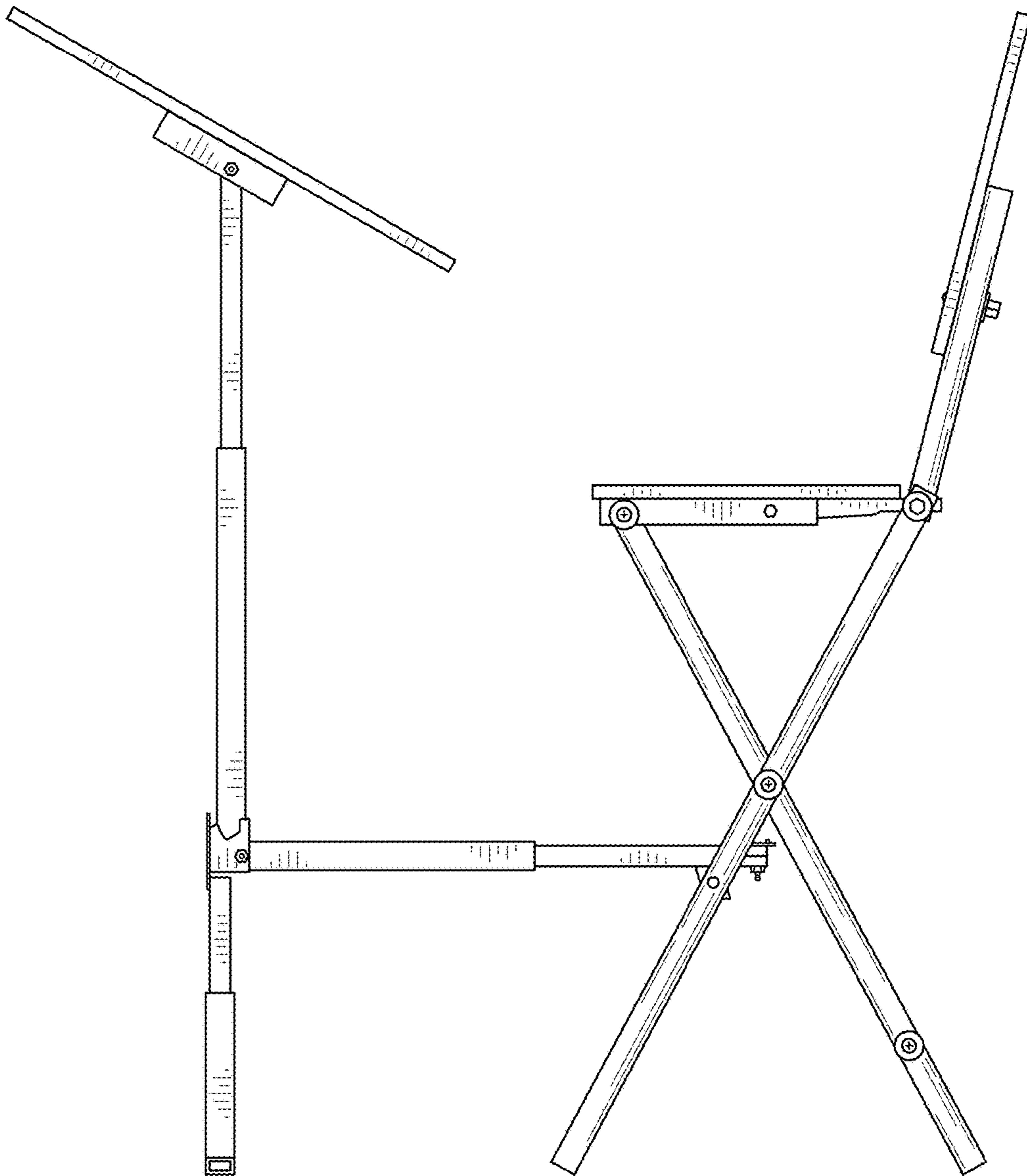


FIG. 4

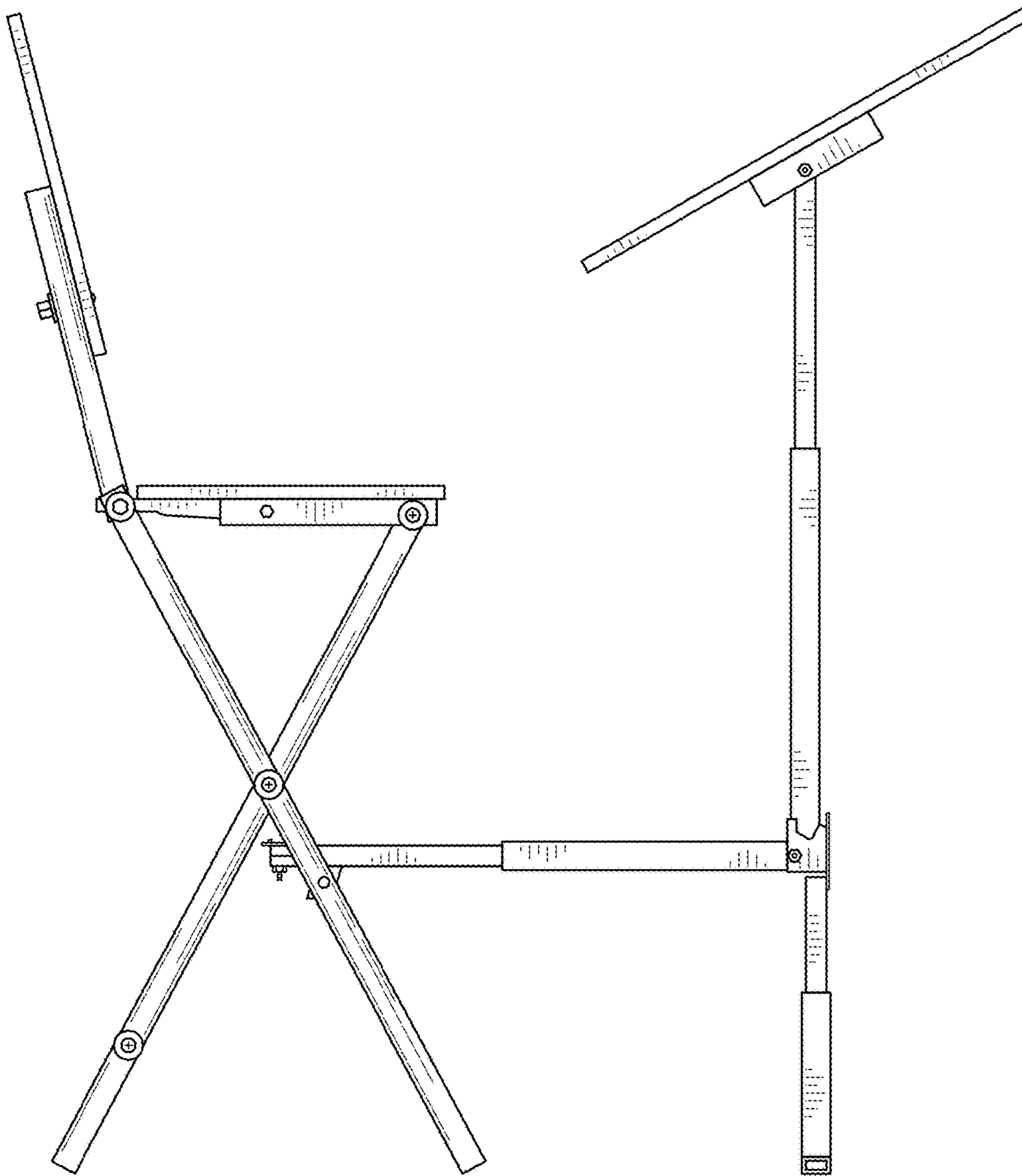


FIG. 5

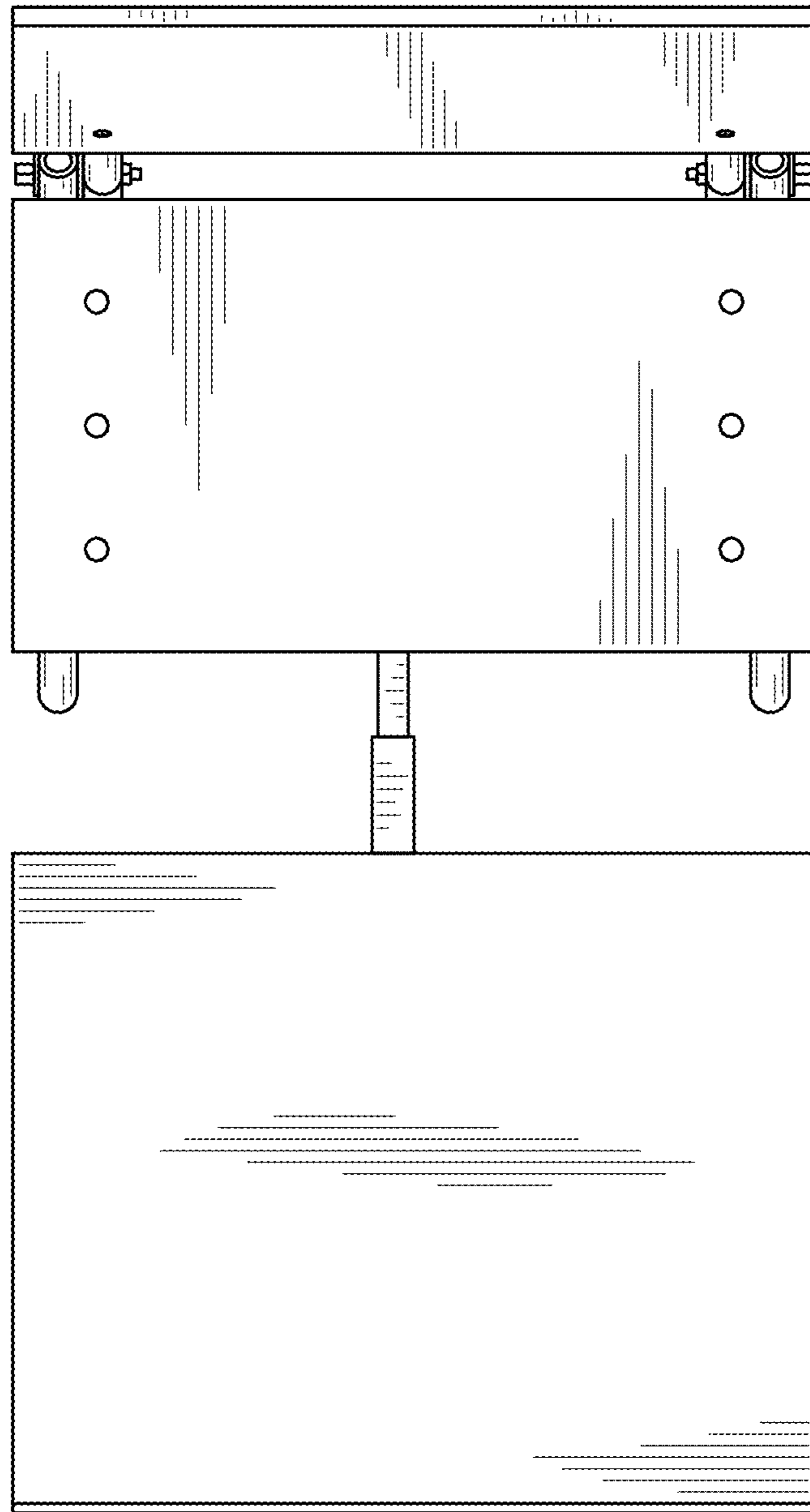


FIG. 6



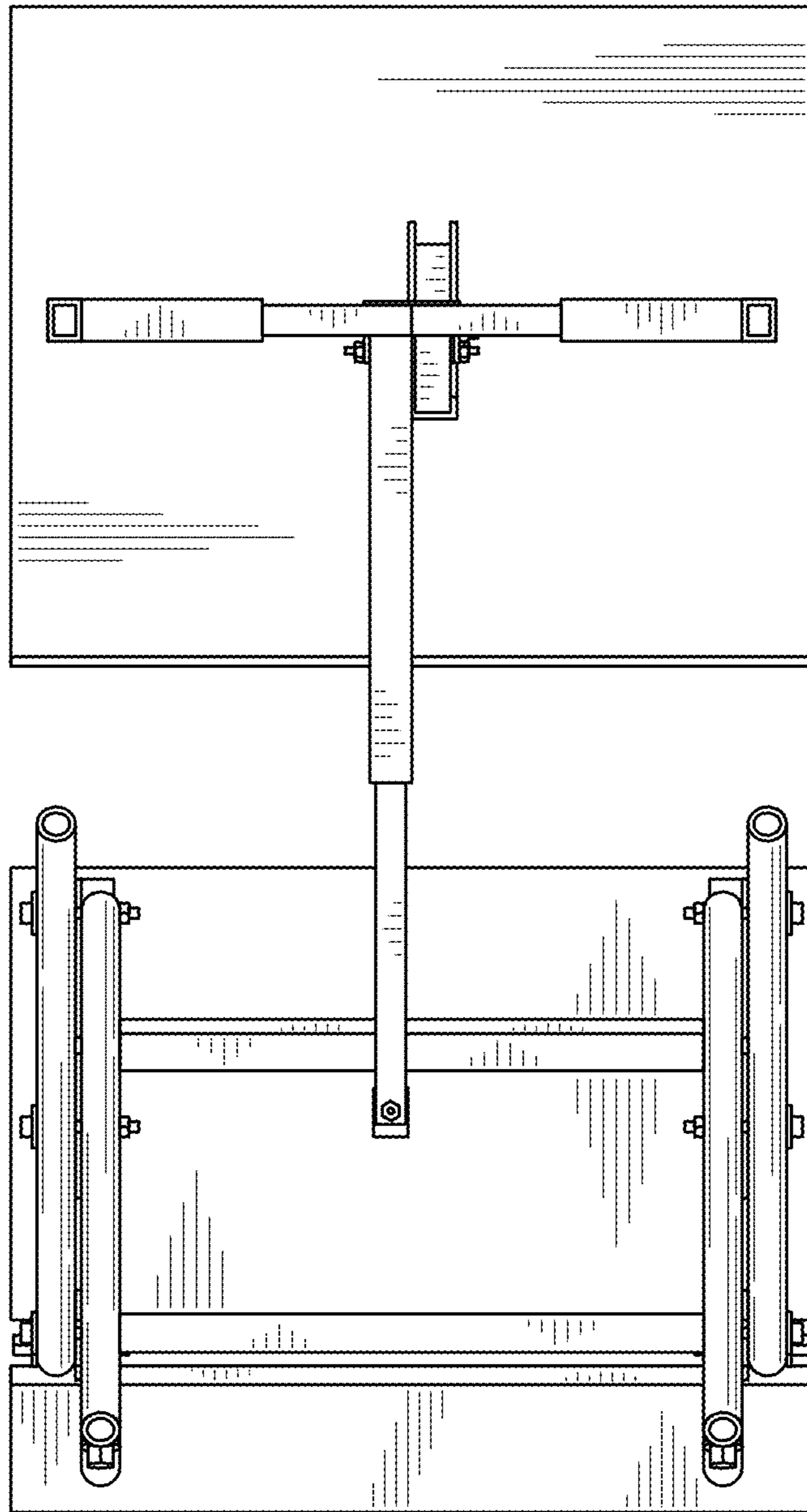


FIG. 7



FIG. 8

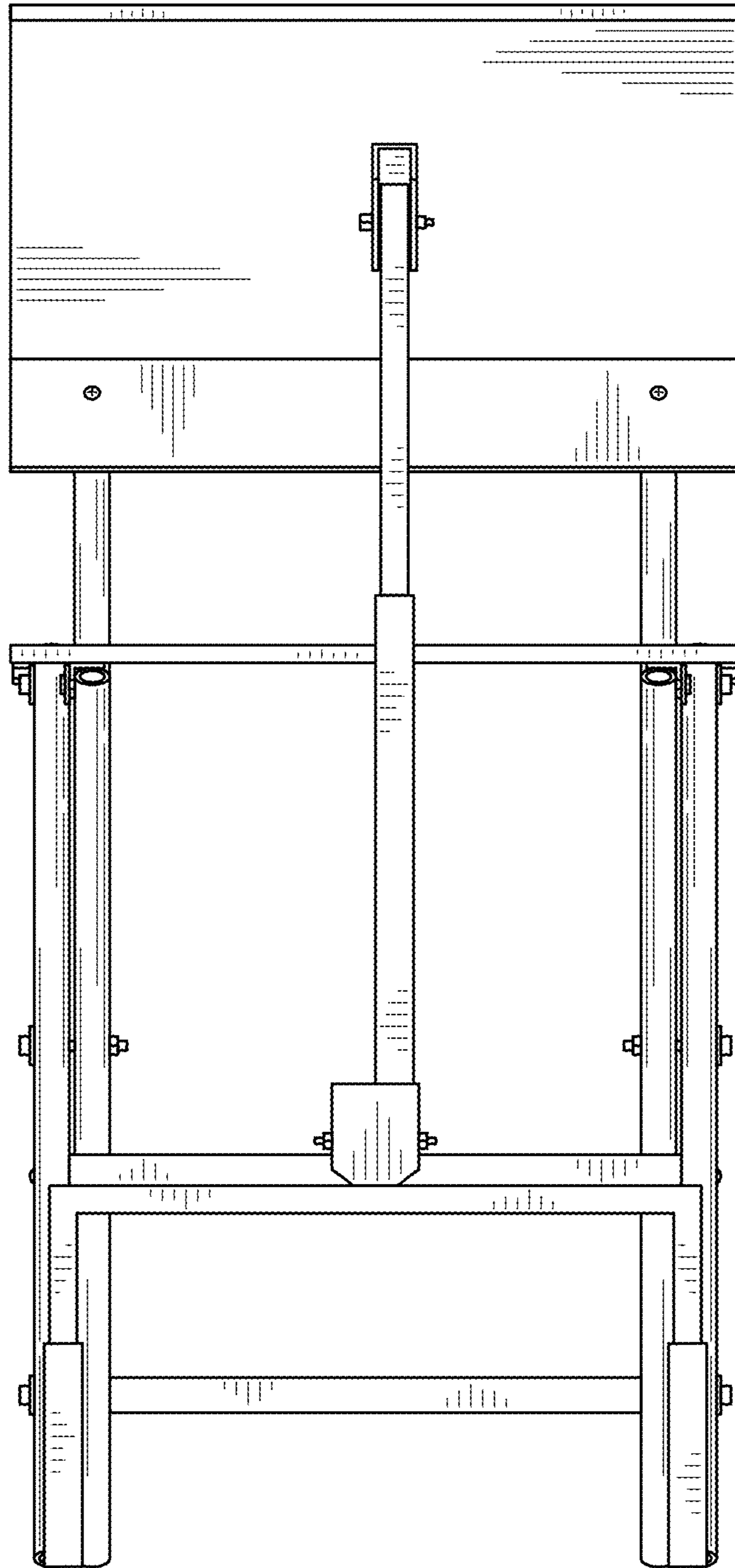


FIG. 9

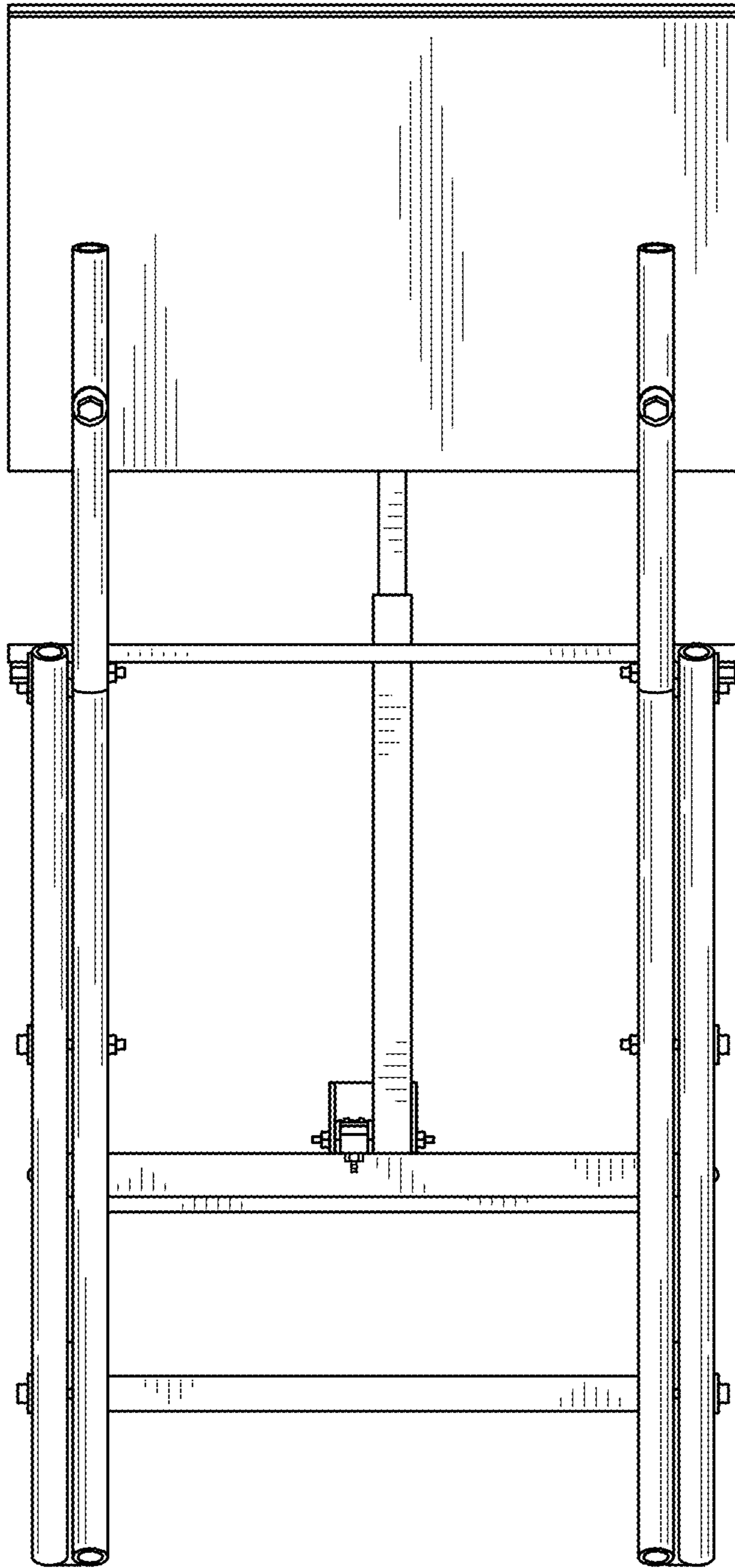


FIG. 10

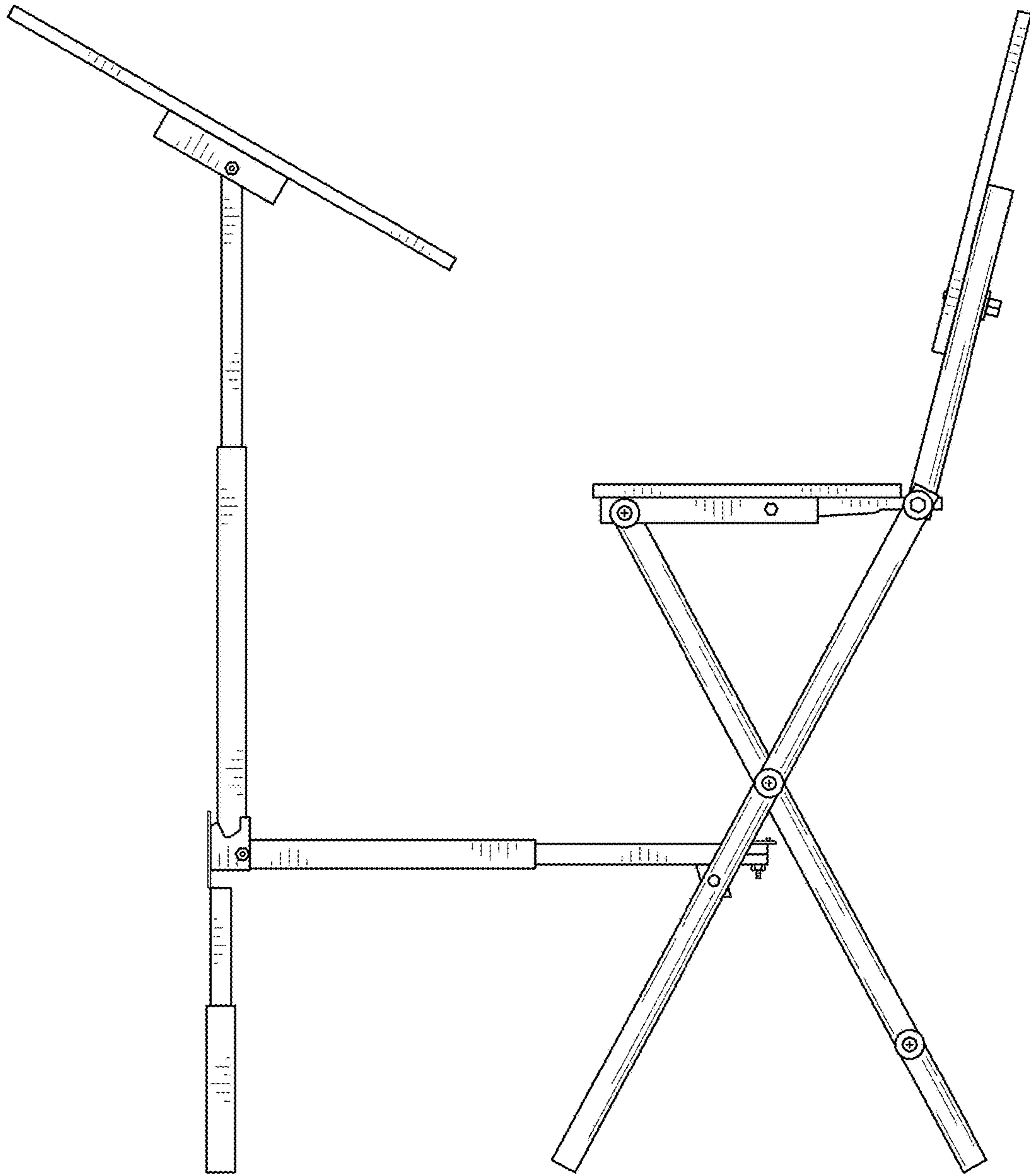


FIG. 11



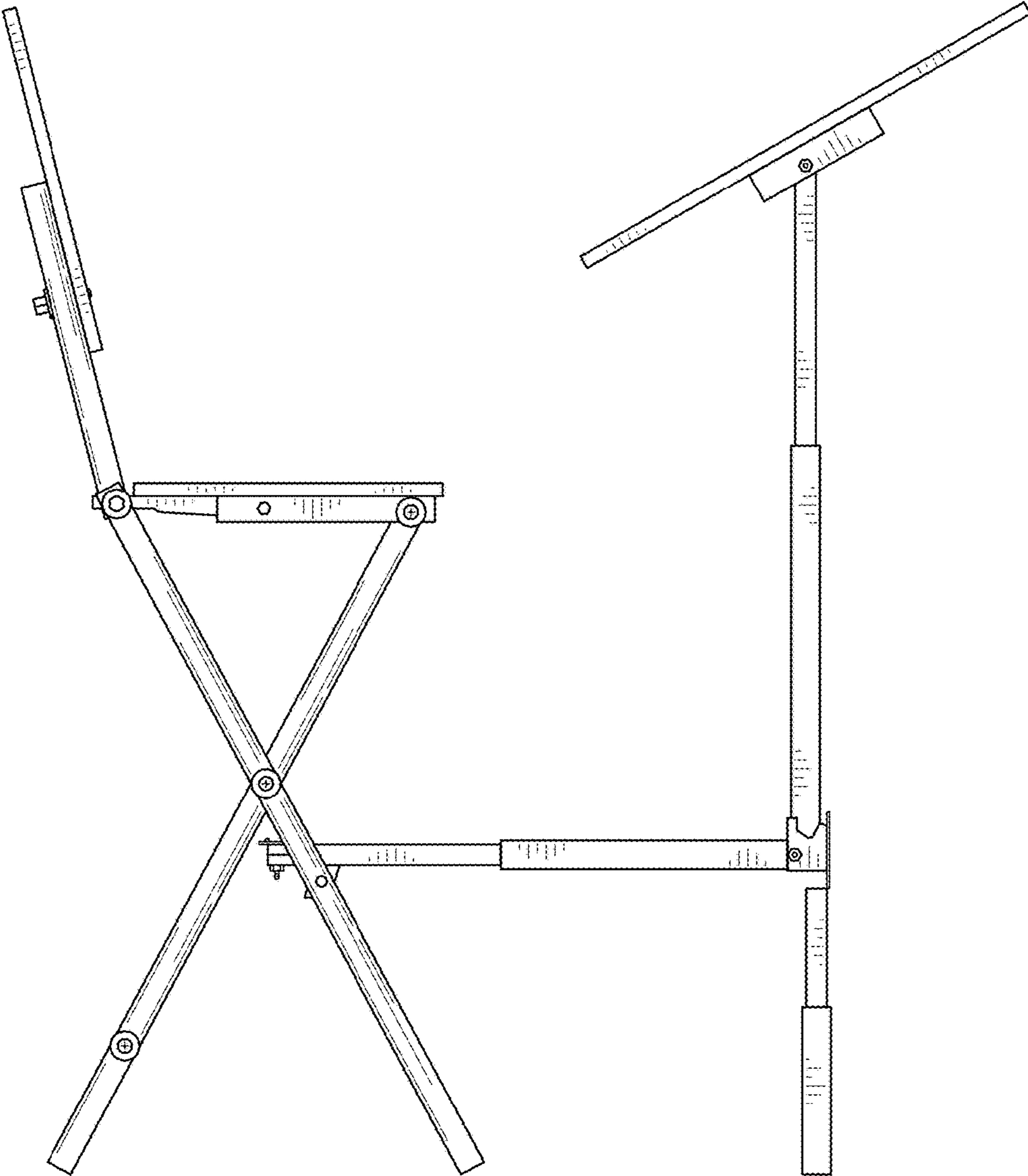


FIG. 12

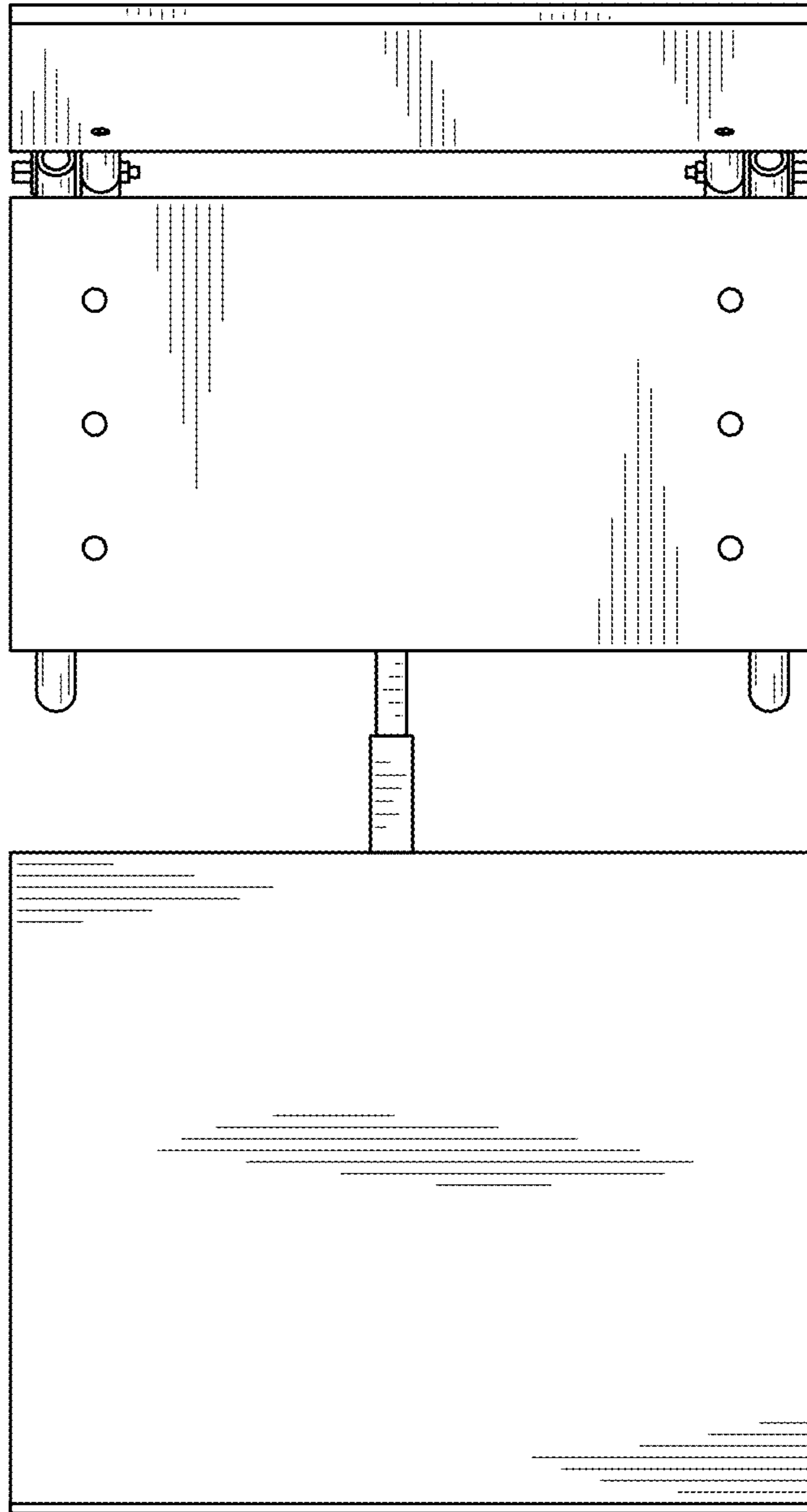


FIG. 13

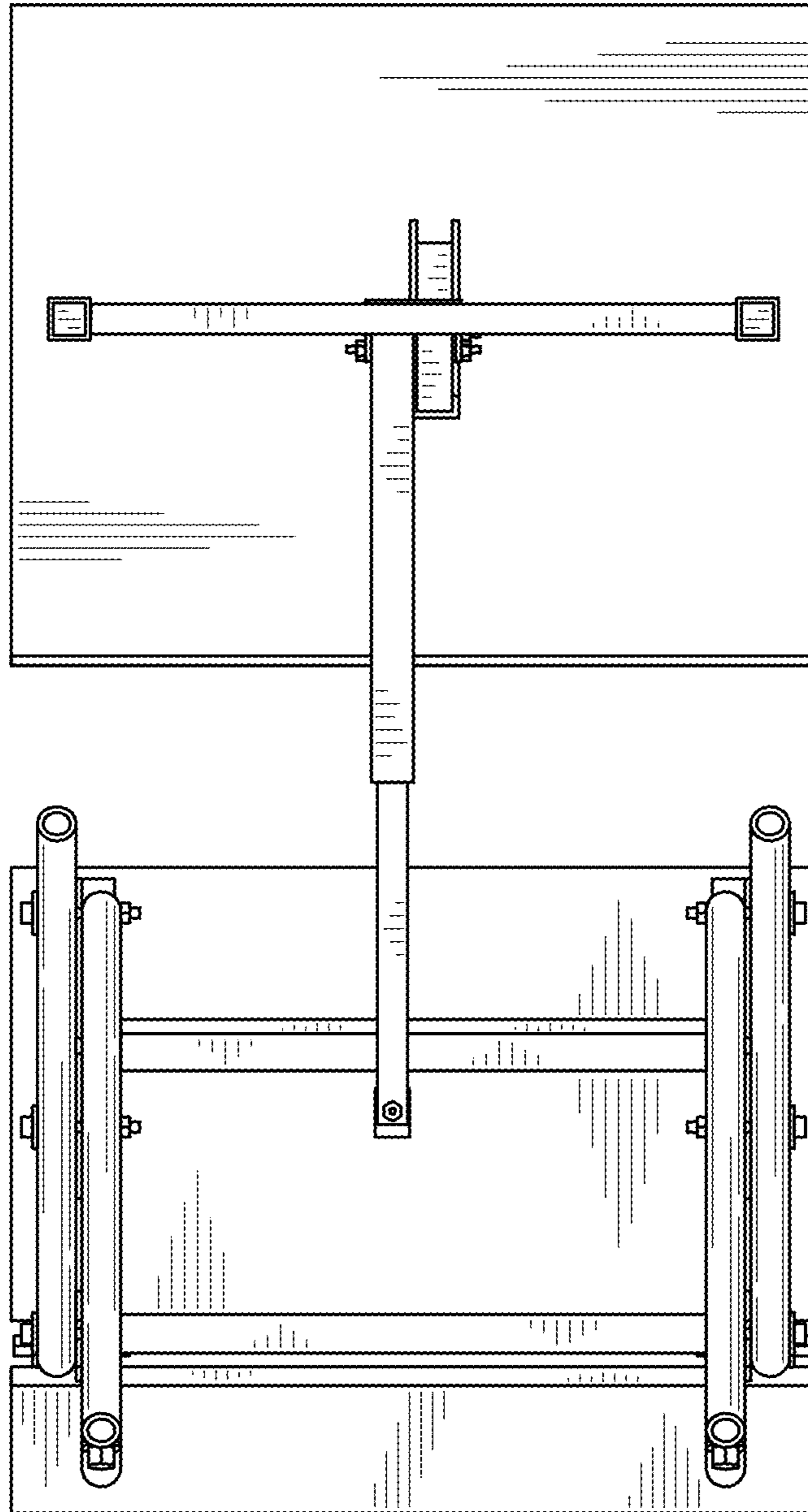


FIG. 14