



US00D819978S

(12) **United States Design Patent**
Creelman

(10) **Patent No.:** **US D819,978 S**
(45) **Date of Patent:** **** Jun. 12, 2018**

(54) **PISTOL GRIP ATTACHMENT FOR USE WITH A PAINTBRUSH**

(71) Applicant: **Charlie Creelman**, Washington, MI (US)

(72) Inventor: **Charlie Creelman**, Washington, MI (US)

(**) Term: **15 Years**

(21) Appl. No.: **29/564,377**

(22) Filed: **May 12, 2016**

Related U.S. Application Data

(63) Continuation of application No. 14/757,588, filed on Dec. 23, 2015, now Pat. No. 9,630,311.

(51) **LOC (11) Cl.** **04-02**

(52) **U.S. Cl.**
USPC **D4/138**

(58) **Field of Classification Search**
USPC D4/100, 102, 104, 105, 109, 110, 111, D4/113, 127, 128, 129, 130, 131, 132, D4/133, 134, 135, 136, 137, 138, 199; D8/107; D32/17, 19, 25, 32, 33, 39, 40, D32/41, 42

CPC A46B 17/00; A46B 5/0095; A46B 5/02; A46B 5/021; B25G 1/102

See application file for complete search history.

(56) **References Cited**

U.S. PATENT DOCUMENTS

- 1,980,087 A 11/1934 Rast
- 2,520,355 A * 8/1950 Bell B25G 1/102
16/430
- D167,775 S * 9/1952 Schmidt 15/143.1
- 2,914,785 A 12/1959 Ela
- D199,520 S * 11/1964 Jones 15/143.1

- D212,668 S * 11/1968 Miller D4/132
- 4,147,443 A * 4/1979 Skobel A61B 17/2841
30/343

- 4,157,598 A 6/1979 Talent et al.
- D255,845 S * 7/1980 Wood D4/132
- 4,496,669 A 1/1985 Hooper
- 5,625,922 A 5/1997 Morad
- 5,730,231 A * 3/1998 Racodon B25D 3/00
16/431

- 5,991,956 A 11/1999 Chapman
- 6,101,657 A 8/2000 Hamilton
- 6,998,295 B2 1/2006 Tillim
- 7,178,191 B2 2/2007 Hitzler

(Continued)

OTHER PUBLICATIONS

Margco Green Toad Pivoting Paintbrush, posted by Lauren Hunter on Oct. 18, 2010 [on-line]. Retrieved from the Internet Oct. 29, 2017. URL: <<http://www.remodeling.hw.net/products/interiors/margco-green-toad-pivoting-paintbrush>>. (3 pages) (Year: 2010).*

Primary Examiner — Karen E Eldridge Powers

(74) *Attorney, Agent, or Firm* — Dinsmore & Shohl LLP

(57) **CLAIM**

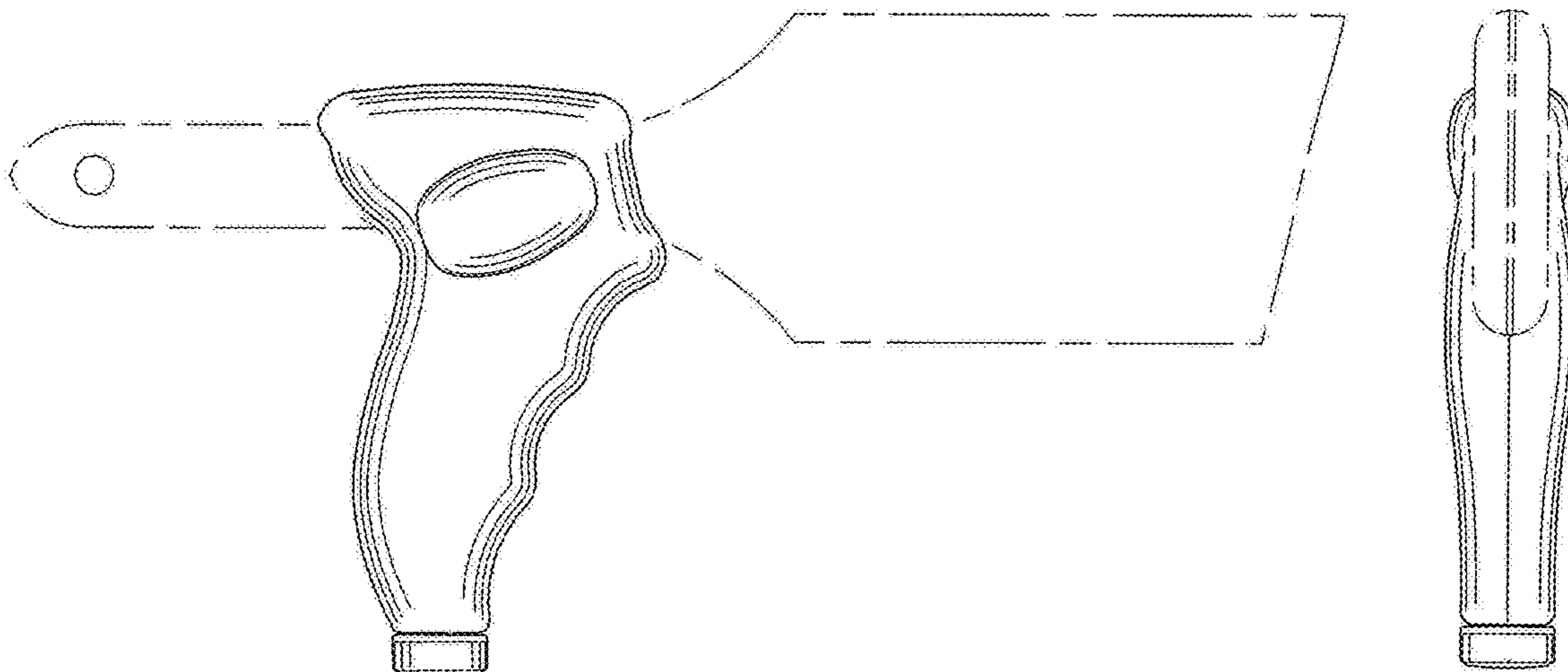
The ornamental design for a pistol grip attachment for use with a paintbrush, as shown and described.

DESCRIPTION

FIG. 1 is a right-side elevation view of the present design; FIG. 2 is a left side elevation view of the present design; FIG. 3 is a top plan view of the present design; FIG. 4 is a bottom plan view of the present design; FIG. 5 is a rear elevation view of the present design; and, FIG. 6 is a front elevation view of the present design.

The broken lines shown in the drawings illustrate features of the article to which the design is applied or in which the design is embodied that form no part of the claim.

1 Claim, 2 Drawing Sheets



(56)

References Cited

U.S. PATENT DOCUMENTS

7,877,842 B2 * 2/2011 Bagley A46B 5/02
 16/422
 D642,889 S * 8/2011 Boehm D8/107
 D662,386 S * 6/2012 Abell D8/107
 8,595,883 B1 12/2013 Kern
 8,839,480 B2 9/2014 Thomas
 9,032,580 B2 * 5/2015 Freuler B25G 1/00
 15/143.1
 9,630,311 B2 * 4/2017 Creelman B25G 1/102
 2002/0066151 A1 6/2002 Parker et al.
 2004/0244545 A1 * 12/2004 Stinnissen B25D 1/04
 81/489
 2005/0278897 A1 12/2005 Tillim
 2008/0276396 A1 * 11/2008 Lucero A46B 5/0083
 15/144.2
 2012/0082509 A1 * 4/2012 Belcher A46B 5/0095
 403/343
 2012/0294470 A1 11/2012 Saltalamacchia
 2013/0061428 A1 3/2013 Freuler
 2013/0061725 A1 3/2013 Freuler
 2016/0003699 A1 * 1/2016 Li G01L 17/00
 73/146.8
 2016/0176039 A1 * 6/2016 Creelman B25G 1/102
 224/666
 2016/0271785 A1 * 9/2016 Hayes B25G 1/102

* cited by examiner

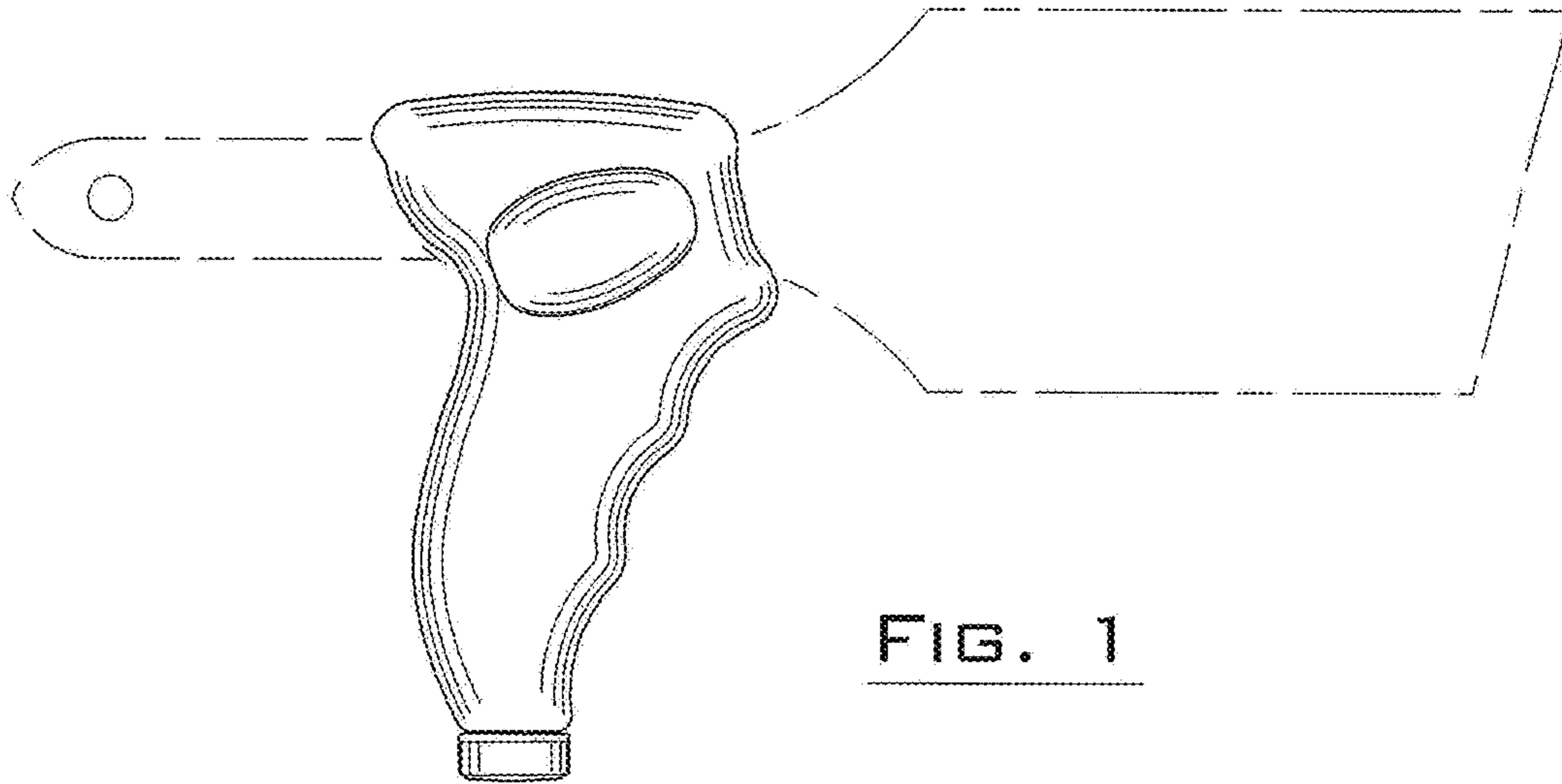


FIG. 1

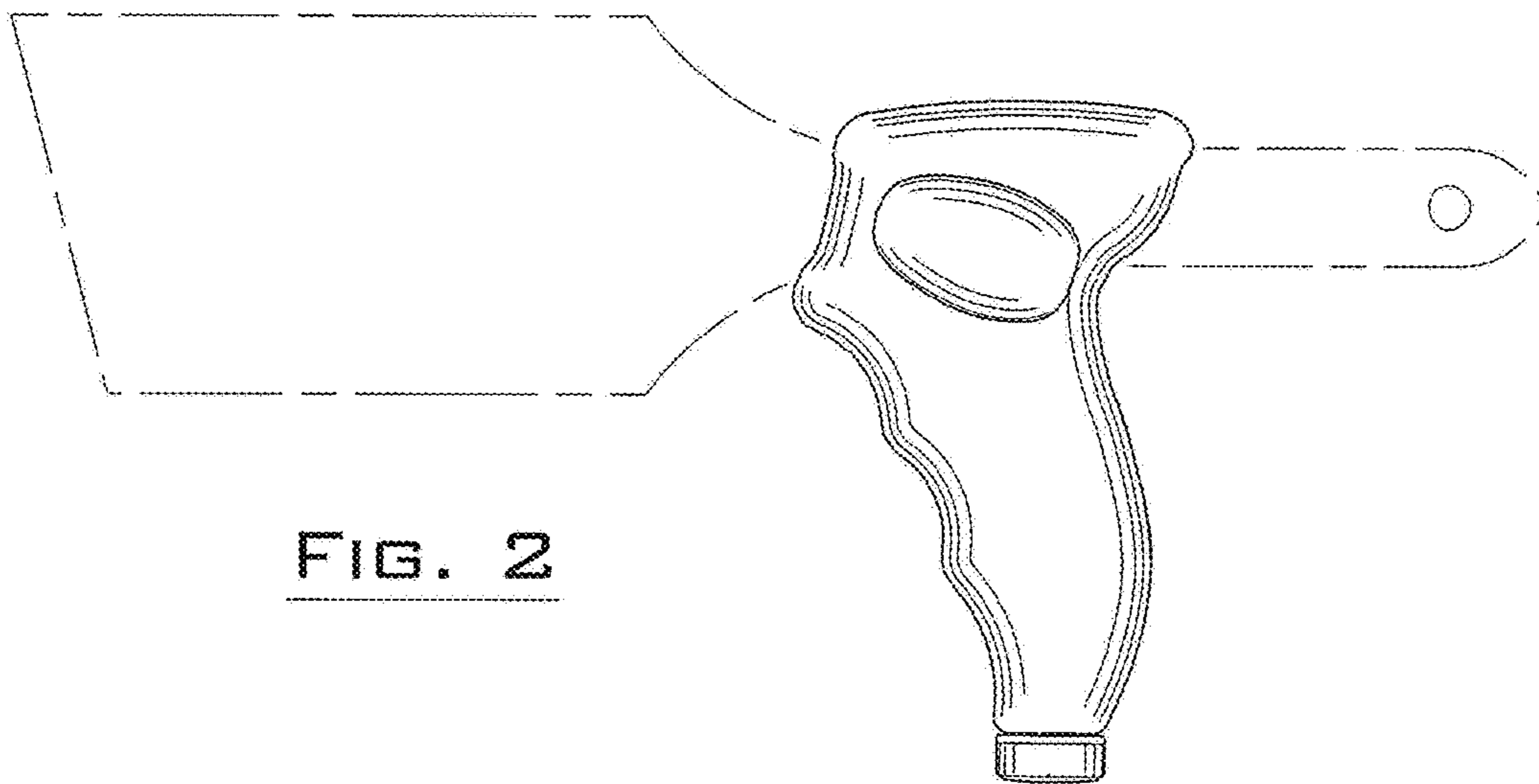


FIG. 2

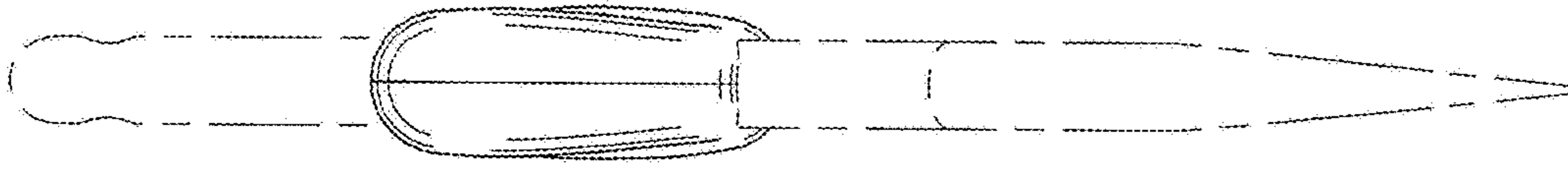


FIG. 3

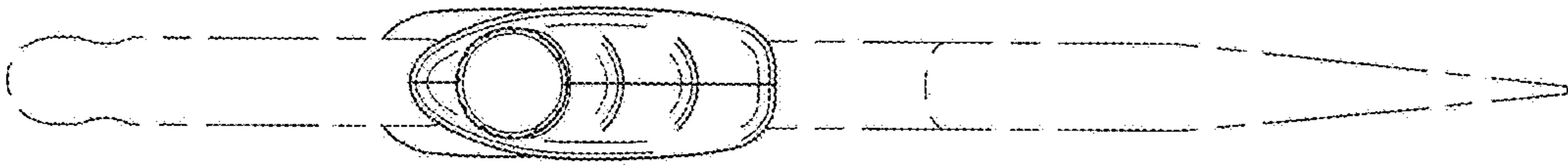


FIG. 4

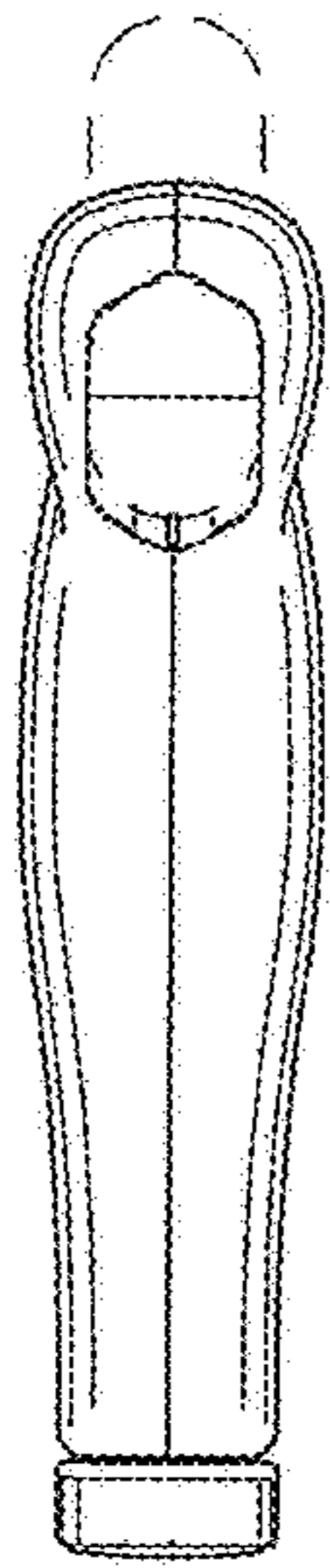


FIG. 5

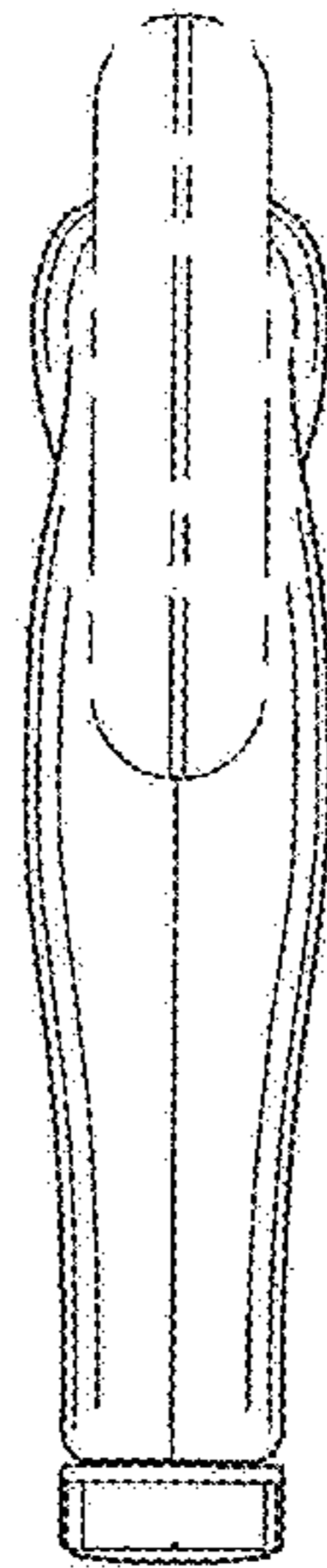


FIG. 6