



US00D819977S

(12) **United States Design Patent** (10) **Patent No.:** **US D819,977 S**  
**Zemel et al.** (45) **Date of Patent:** **\*\* Jun. 12, 2018**

(54) **GRILL BRUSH**

(71) Applicant: **BLUE RHINO GLOBAL SOURCING, INC.**, Liberty, MO (US)

(72) Inventors: **Marc Zemel**, Melville, NY (US);  
**Adam Schillen**, Dix Hills, NY (US)

(73) Assignee: **BLUE RHINO GLOBAL SOURCING, INC.**, Liberty, MO (US)

(\*\*) Term: **15 Years**

(21) Appl. No.: **29/577,387**

(22) Filed: **Sep. 13, 2016**

(51) **LOC (11) Cl.** ..... **04-04**

(52) **U.S. Cl.**  
USPC ..... **D4/131**

(58) **Field of Classification Search**  
USPC ..... D4/116, 118, 119, 122, 128, 129, 130,  
D4/131, 132, 133, 138; D7/393, 395;  
D8/300, 307; D32/17, 20, 40, 42, 52  
CPC .. A46B 3/18; A46B 5/00; A46B 15/00; A46B  
2200/30; A46D 1/0207; A46D 3/00;  
A47L 13/07; A47L 13/16  
See application file for complete search history.

(56) **References Cited**

**U.S. PATENT DOCUMENTS**

D146,729 S	4/1947	Storm	
4,167,796 A *	9/1979	De Pamphilis	..... A46B 9/02 15/106
4,819,291 A	4/1989	Gunjian	
D362,793 S *	10/1995	Khan	..... D32/35
D417,121 S	11/1999	Brunianyn	
D427,025 S	6/2000	Lee	
D427,858 S	7/2000	Zemel	
D431,753 S	10/2000	Cohen et al.	

(Continued)

**OTHER PUBLICATIONS**

Brushtech Double Helix Bristle Free BBQ Brush, [on-line]; [date first available on the Internet at Amazon.com Apr. 15, 2014]; [retrieved from the Internet on Jul. 26, 2017]; URL: <https://www.amazon.com/Brushtech-Double-Helix-Bristle-21-Inch/dp/B00JPIHNOE?th=1>. (2 pages).\*

(Continued)

*Primary Examiner* — Karen E Eldridge Powers

*Assistant Examiner* — Jasmine Mlinarcik

(74) *Attorney, Agent, or Firm* — Carter, DeLuca, Farrell & Schmidt, LLP

(57) **CLAIM**

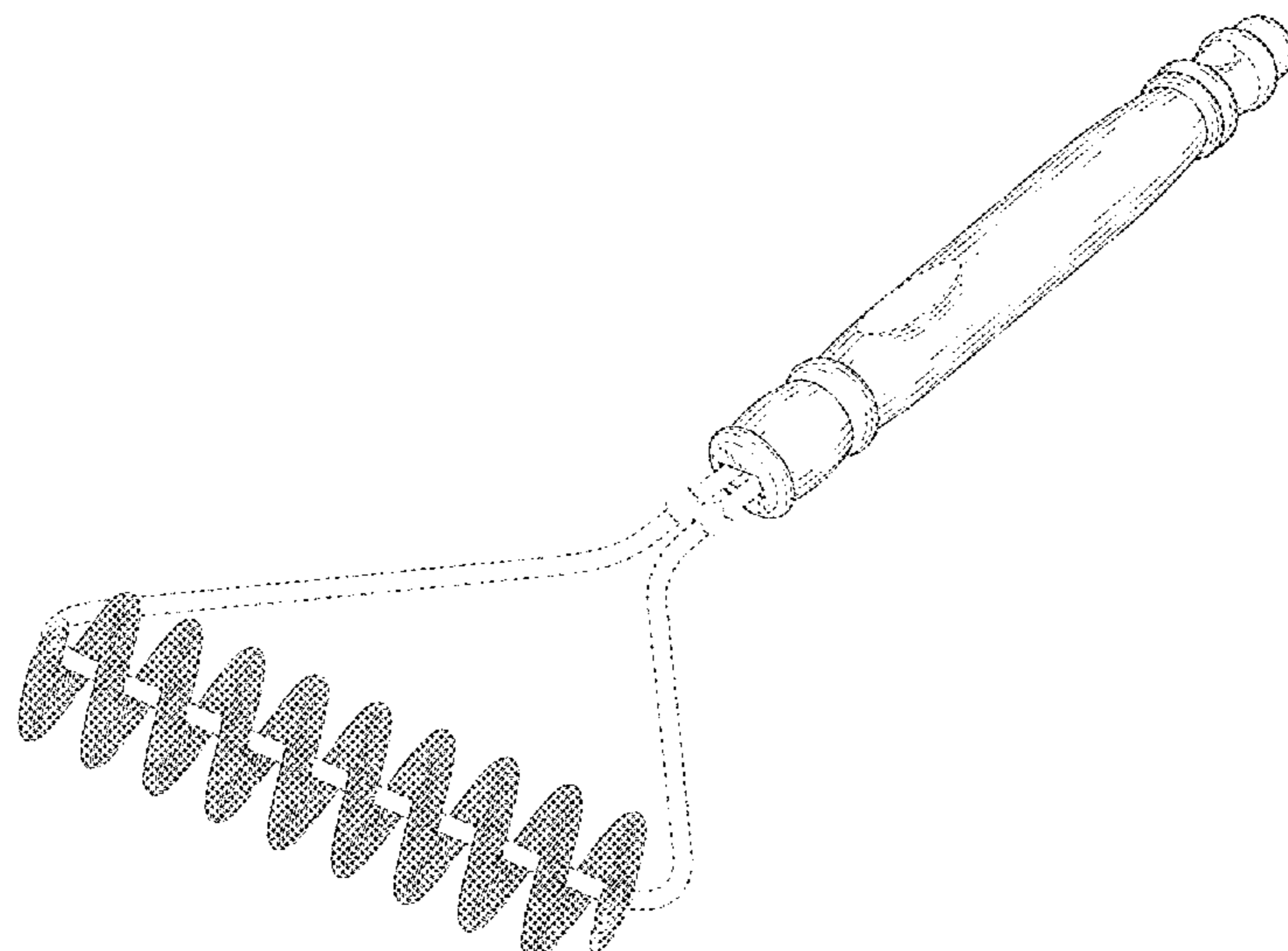
The ornamental design for a grill brush, as shown and described.

**DESCRIPTION**

FIG. 1 is a perspective view of a grill brush in accordance with the present design;  
FIG. 2 is an enlarged detail view of the coil structure shown in FIG. 1;  
FIG. 3 is a left side elevational view thereof;  
FIG. 4 is an enlarged detail view of the coil structure shown in FIG. 3;  
FIG. 5 is a right side elevational view thereof;  
FIG. 6 is a front elevational view thereof;  
FIG. 7 is an enlarged detail view of the coil structure shown in FIG. 6;  
FIG. 8 is a rear elevational view thereof;  
FIG. 9 is a top plan view thereof;  
FIG. 10 is an enlarged detail view of the coil structure shown in FIG. 9; and,  
FIG. 11 is a bottom plan view thereof.

The broken lines shown in the drawings illustrate portions of the grill brush that form no part of the claimed design. The grill brush is shown with a symbolic break in its length. The appearance of any portion of the article between the break lines forms no part of the claimed design.

**1 Claim, 7 Drawing Sheets**



(56)

References Cited

U.S. PATENT DOCUMENTS

D431,960 S 10/2000 Hay  
 D442,026 S 5/2001 Rae  
 D445,654 S 7/2001 Yu  
 D448,973 S 10/2001 Hay et al.  
 D454,003 S \* 3/2002 Saxon ..... D4/102  
 D456,207 S 4/2002 Zemel  
 D456,615 S 5/2002 Zemel  
 D456,667 S 5/2002 Veltri et al.  
 D463,952 S 10/2002 Zemel  
 D465,336 S 11/2002 Zemel  
 D474,644 S 5/2003 Zemel  
 D476,525 S 7/2003 Zemel  
 D481,906 S 11/2003 Knor  
 D482,566 S 11/2003 Zemel  
 D482,569 S 11/2003 Zemel  
 D491,413 S 6/2004 Rosenthal  
 D492,543 S 7/2004 Munari  
 D494,006 S 8/2004 Zemel  
 D494,807 S 8/2004 Zemel  
 D496,558 S 9/2004 Zemel  
 D503,071 S 3/2005 Lu  
 D528,857 S 9/2006 Zemel  
 D529,333 S 10/2006 Zemel  
 D529,335 S 10/2006 Zemel  
 D531,853 S 11/2006 Zemel  
 D533,397 S 12/2006 Zemel  
 D534,001 S 12/2006 Zemel  
 D535,147 S 1/2007 Zemel  
 D535,519 S 1/2007 Zemel  
 D544,750 S 6/2007 Zemel  
 D545,120 S 6/2007 Zemel  
 D545,121 S 6/2007 Zemel  
 D550,504 S 9/2007 Zemel  
 D562,062 S 2/2008 Zemel  
 D562,064 S 2/2008 Zemel  
 D563,675 S 3/2008 Zemel  
 D564,292 S 3/2008 Zemel  
 D566,460 S 4/2008 Zemel  
 D569,174 S 5/2008 Zemel  
 D572,079 S 7/2008 Zemel  
 D572,080 S 7/2008 Zemel  
 D574,184 S 8/2008 Zemel  
 D578,826 S 10/2008 Lu  
 D579,269 S 10/2008 Zemel

D579,668 S 11/2008 Zemel  
 D580,659 S 11/2008 Zemel  
 D584,514 S \* 1/2009 Dale ..... D4/135  
 D588,868 S 3/2009 Zemel  
 D618,499 S 6/2010 Zemel  
 D622,542 S 8/2010 Zemel  
 D629,650 S 12/2010 Funka, Jr. et al.  
 D631,289 S 1/2011 Tuli  
 D655,093 S \* 3/2012 Raven ..... D4/138  
 8,146,284 B2 4/2012 Smith  
 D658,433 S 5/2012 Zemel  
 D658,937 S 5/2012 Zemel  
 D660,141 S 5/2012 Zemel  
 D663,159 S 7/2012 Zemel  
 D690,153 S 9/2013 Zemel  
 D690,943 S \* 10/2013 Pelo ..... D4/122  
 D691,379 S 10/2013 Gunjian  
 D701,389 S 3/2014 Gunjian  
 D702,996 S 4/2014 Zemel et al.  
 9,101,205 B2 8/2015 Gunjian  
 D737,626 S 9/2015 Lu  
 9,357,832 B2 \* 6/2016 Gonzalez ..... A46B 3/18  
 D773,242 S 12/2016 Zemel et al.  
 D778,107 S \* 2/2017 Keating ..... D7/395  
 D784,073 S \* 4/2017 Keating ..... D7/395  
 D789,095 S \* 6/2017 Wales ..... D4/131  
 2012/0198639 A1 8/2012 Smith  
 2014/0250617 A1 \* 9/2014 Gunjian ..... A46D 1/0207  
 15/207.2  
 2015/0327659 A1 11/2015 Gunjian  
 2017/0055689 A1 \* 3/2017 Gunjian ..... A46B 3/18

OTHER PUBLICATIONS

Brushtech—Double Helix Grill Brush, [on-line video]; [published to the Internet by the Grommet on Jun. 26, 2015]; [retrieved from the Internet on Jul. 26, 2017]; URL: <https://www.youtube.com/watch?v=5j7R9U11pEE>. (3 pages).\*

Grill Brush Best 3 Sided Grill Brush . . . , [on-line video]; [published to the Internet by Top Dot Product on Jul. 1, 2015]; [retrieved from the Internet on Jul. 26, 2017]; URL: <https://www.youtube.com/watch?v=5j7R9U11pEE>. (3 pages).\*

Double-Helix Bristle-Free Coil Grill Brush, [on-line]; [unknown Internet publication date]; [retrieved from the Internet on Jul. 26, 2017]; URL. (1 page).\*

\* cited by examiner



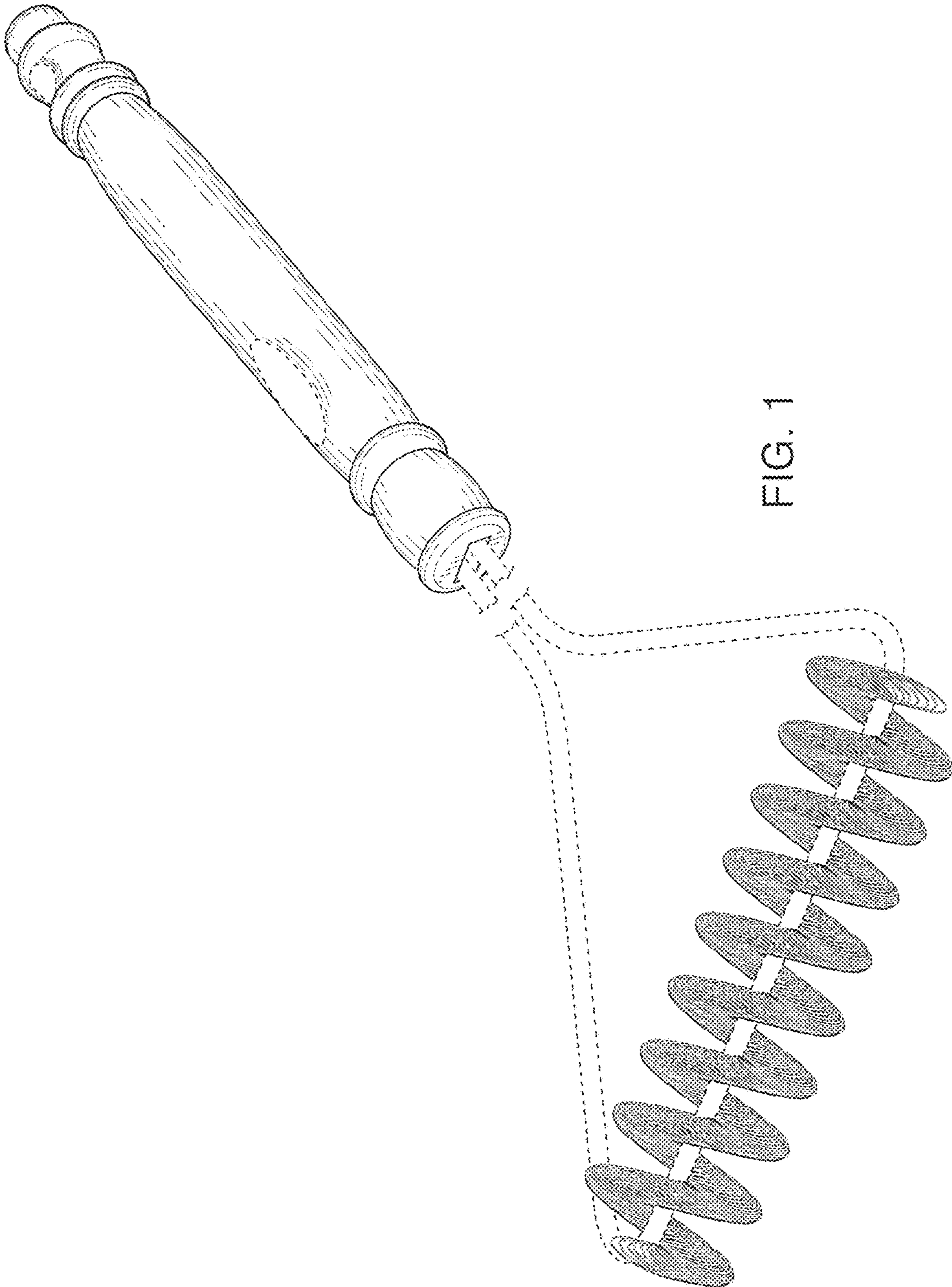


FIG. 1

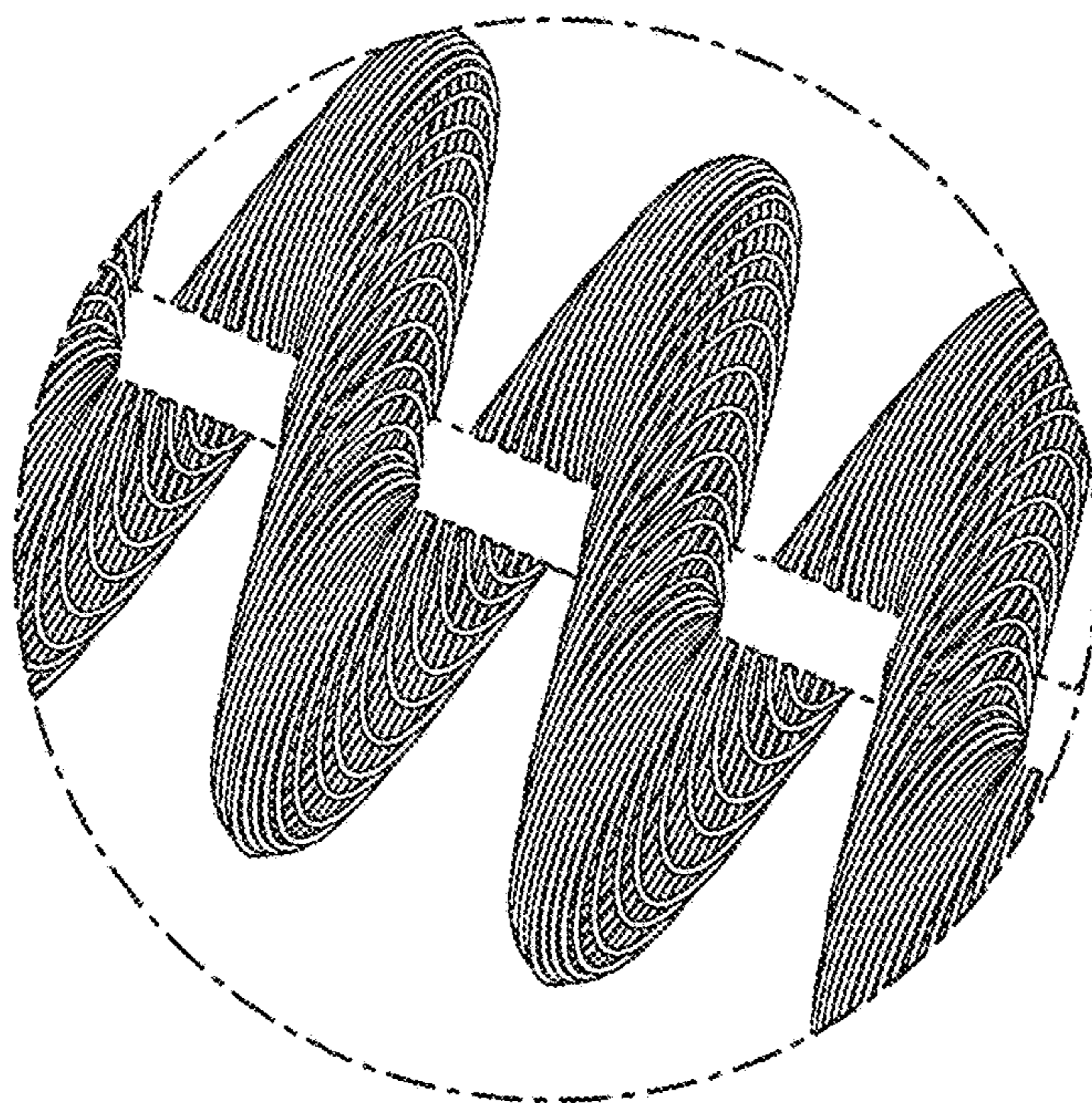


FIG. 2



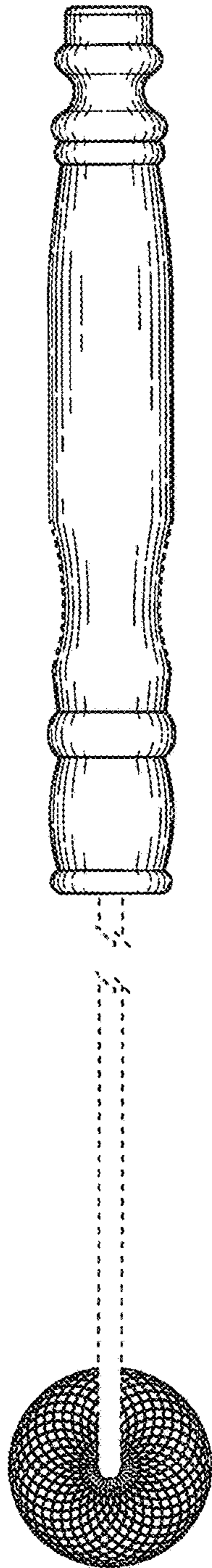


FIG. 3

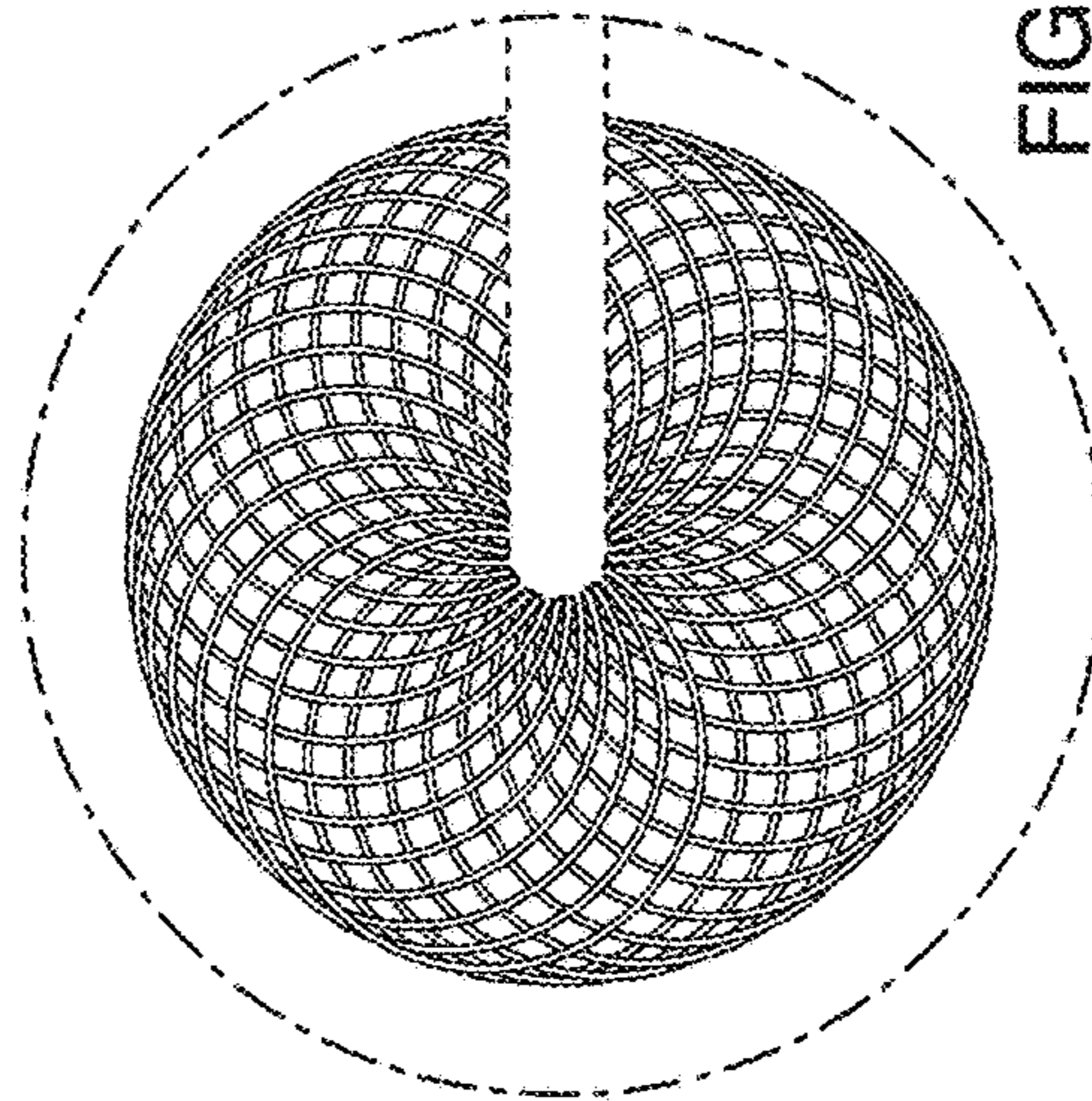


FIG. 4

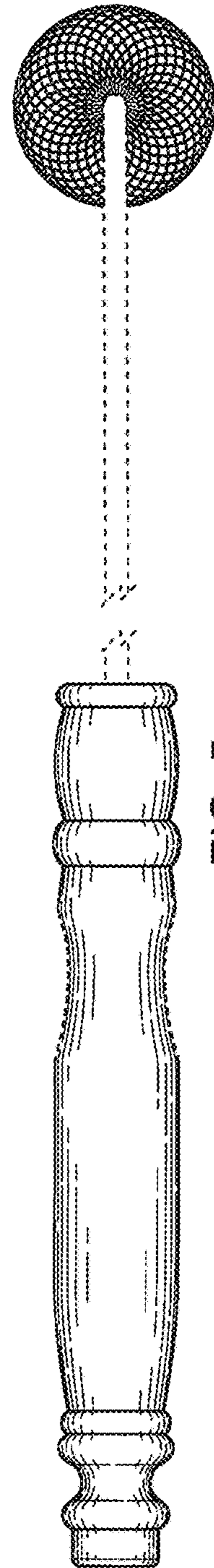


FIG. 5

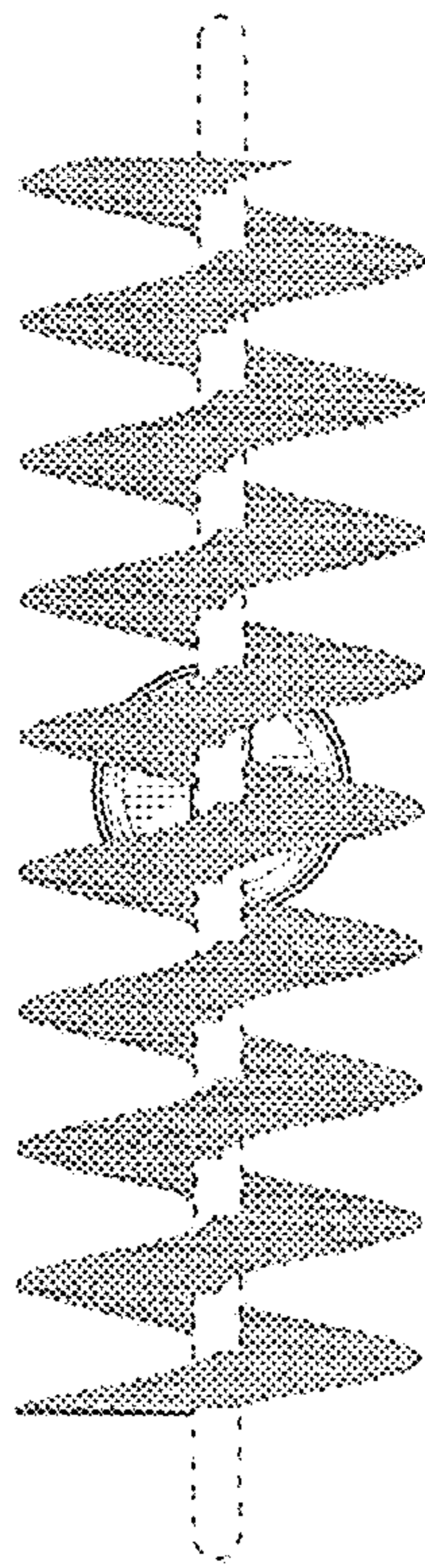


FIG. 6

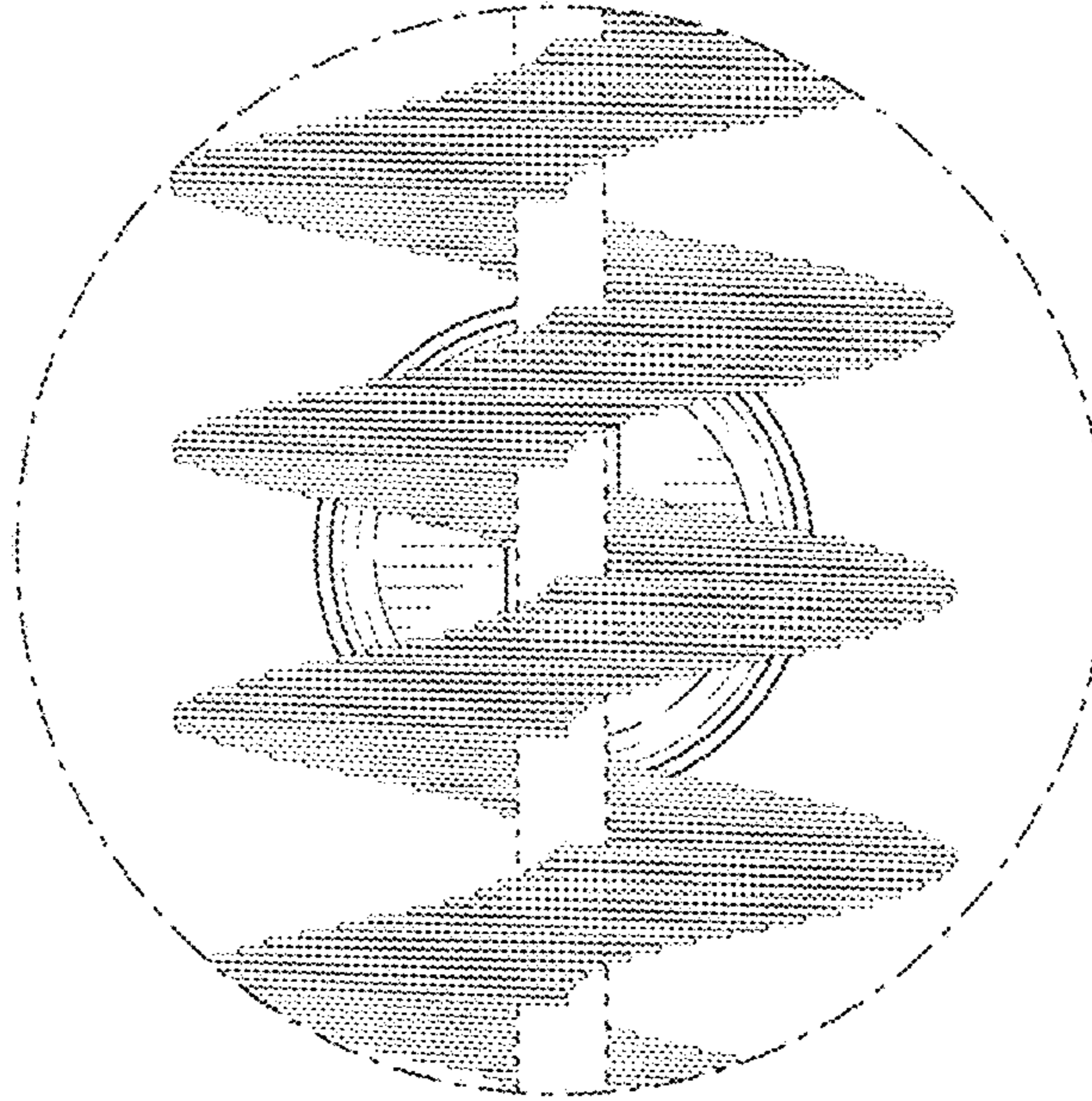


FIG. 7

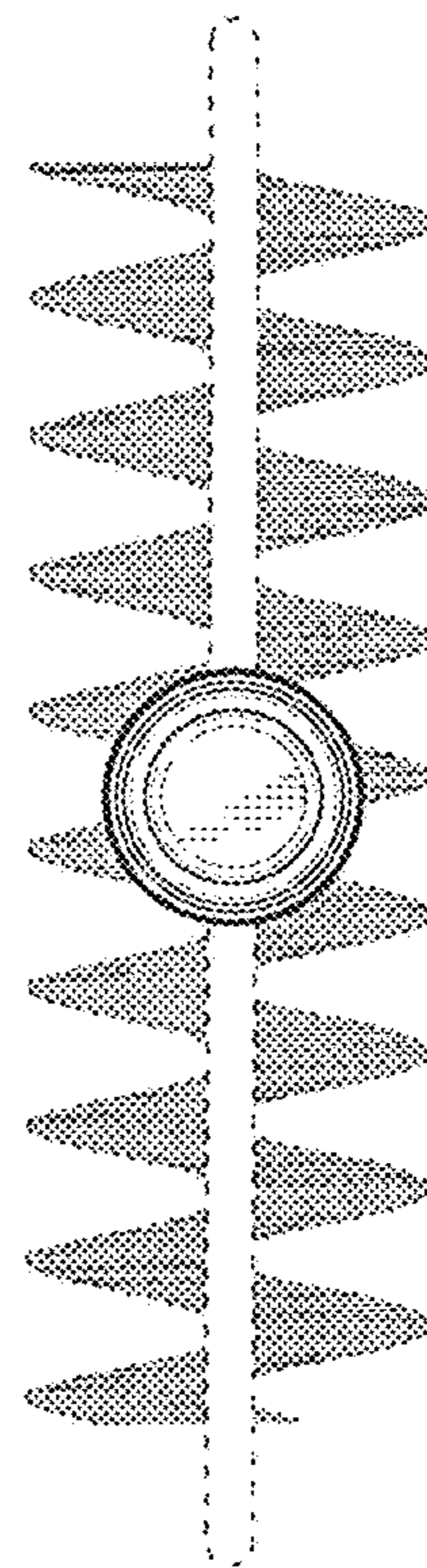


FIG. 8



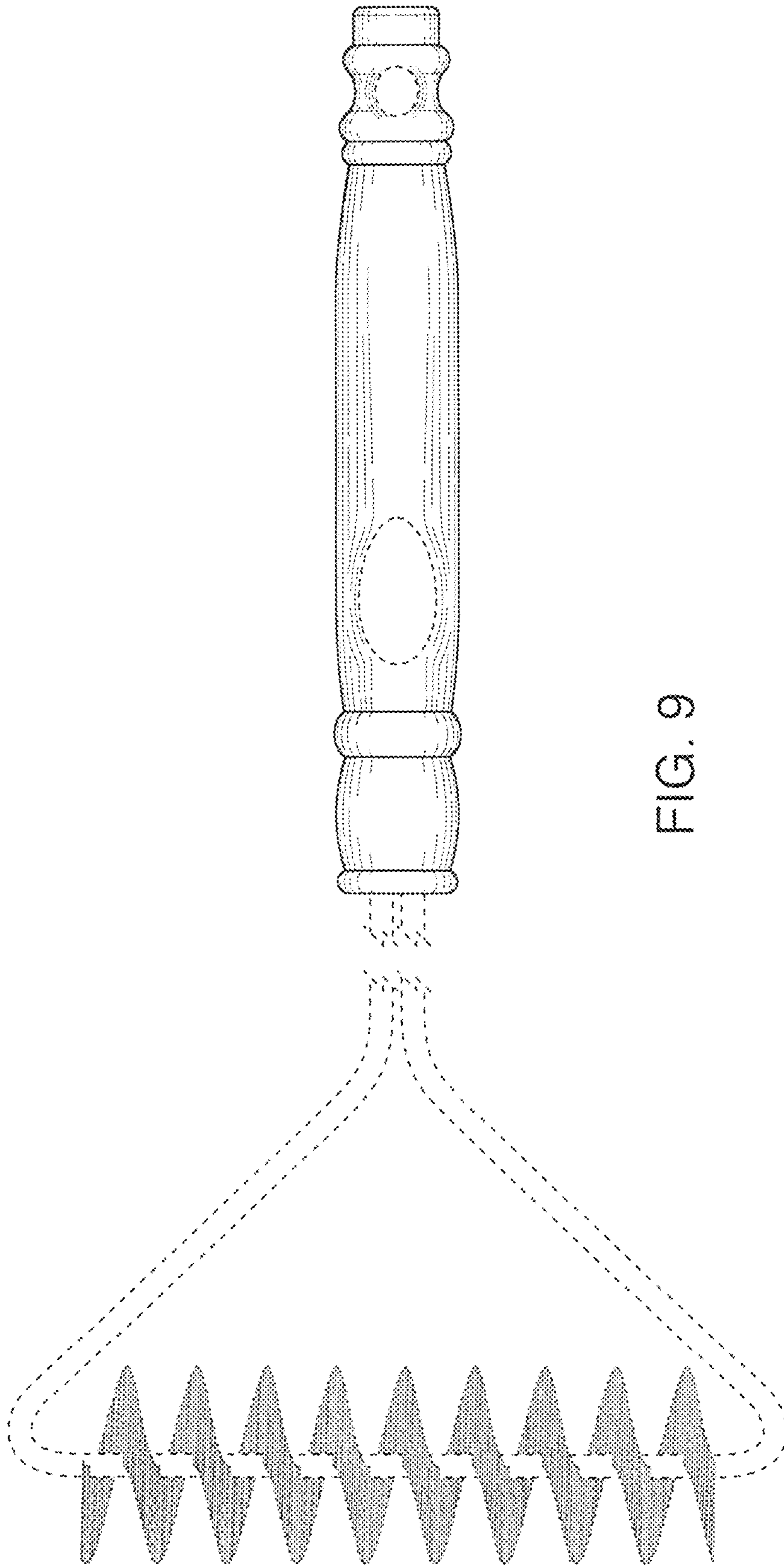


FIG. 9

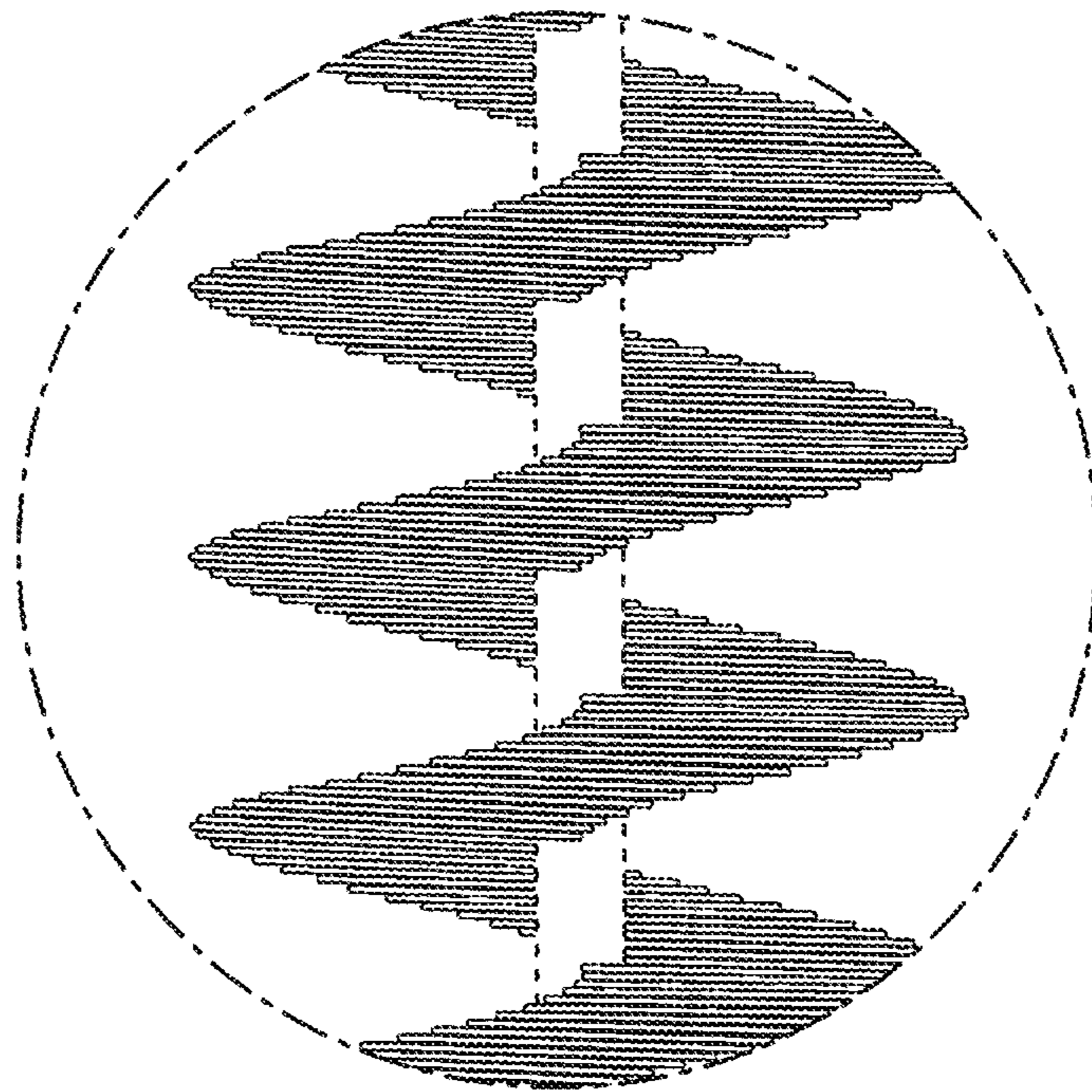


FIG. 10



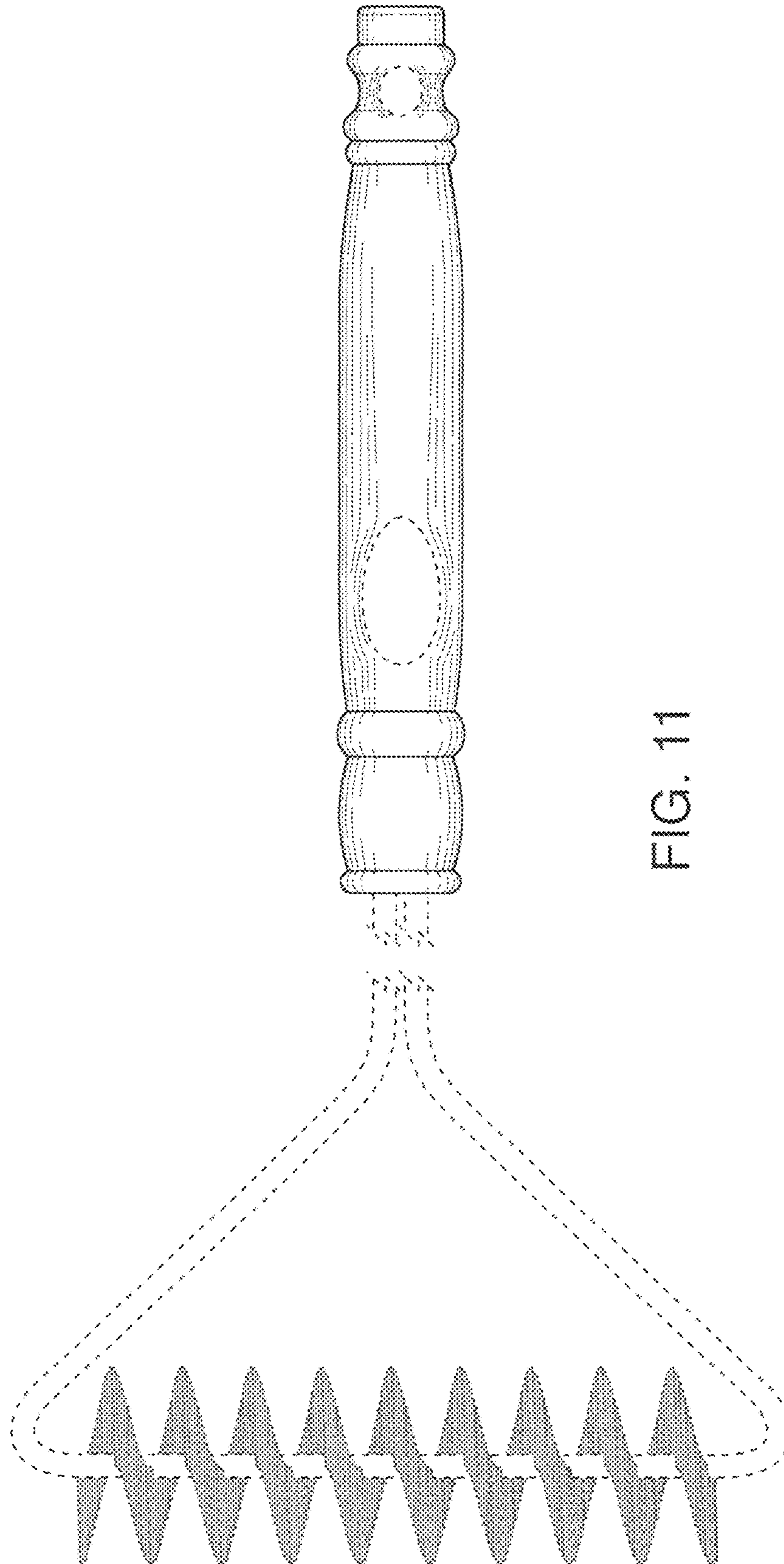


FIG. 11