



US00D819976S

(12) **United States Design Patent** (10) **Patent No.:** **US D819,976 S**
Albers (45) **Date of Patent:** **** Jun. 12, 2018**

(54) **DUAL-SIDED FACE BRUSH**
(71) Applicant: **Luft Industrie Inc.**, Oakland, CA (US)
(72) Inventor: **Oliver Albers**, Oakland, CA (US)
(73) Assignee: **Luft Industrie, Inc.**, Oakland, CA (US)
(**) Term: **15 Years**
(21) Appl. No.: **29/578,277**
(22) Filed: **Sep. 20, 2016**
(51) **LOC (11) Cl.** **04-01**
(52) **U.S. Cl.**
USPC **D4/120; D4/114; D4/127; D4/111**
(58) **Field of Classification Search**
USPC D4/102, 105, 109, 111-122, 127-131,
D4/133-138, 199; D23/223, 225;
D13/108; D19/125; 15/23, 186-188,
15/159.1, 160, 168
CPC A46B 13/00; A46B 15/00; A46B 17/00;
A46B 9/00; A61H 2201/105; A46D 1/02
See application file for complete search history.

D574,152 S * 8/2008 Holcomb D4/114
D612,614 S * 3/2010 Maxwell D4/114
D616,204 S * 5/2010 Zemel D4/114
D668,052 S * 10/2012 Maxwell D4/114
D688,877 S * 9/2013 Li D32/45
D694,016 S * 11/2013 Zmrhal D4/120
D699,037 S * 2/2014 Morrison D4/127
D715,558 S * 10/2014 Brewer D4/102
D728,943 S * 5/2015 Carpentier D4/102
D743,174 S * 11/2015 von Berg D4/102
D752,348 S * 3/2016 Donald D4/116
D770,777 S * 11/2016 Weeks D4/115
D784,026 S * 4/2017 Shen D4/128
D795,593 S * 8/2017 Huang D4/127
D796,848 S * 9/2017 Dandridge D4/127
D797,461 S * 9/2017 Dandridge D4/127
D798,603 S * 10/2017 Hwang D4/127
D802,307 S * 11/2017 Peterson D4/127

* cited by examiner

Primary Examiner — Caron D Veynar
Assistant Examiner — Mehri F Bajoul
(74) *Attorney, Agent, or Firm* — Onello & Mello, LLP

(57) **CLAIM**

The ornamental design for a dual-sided face brush, as shown.

(56) **References Cited**

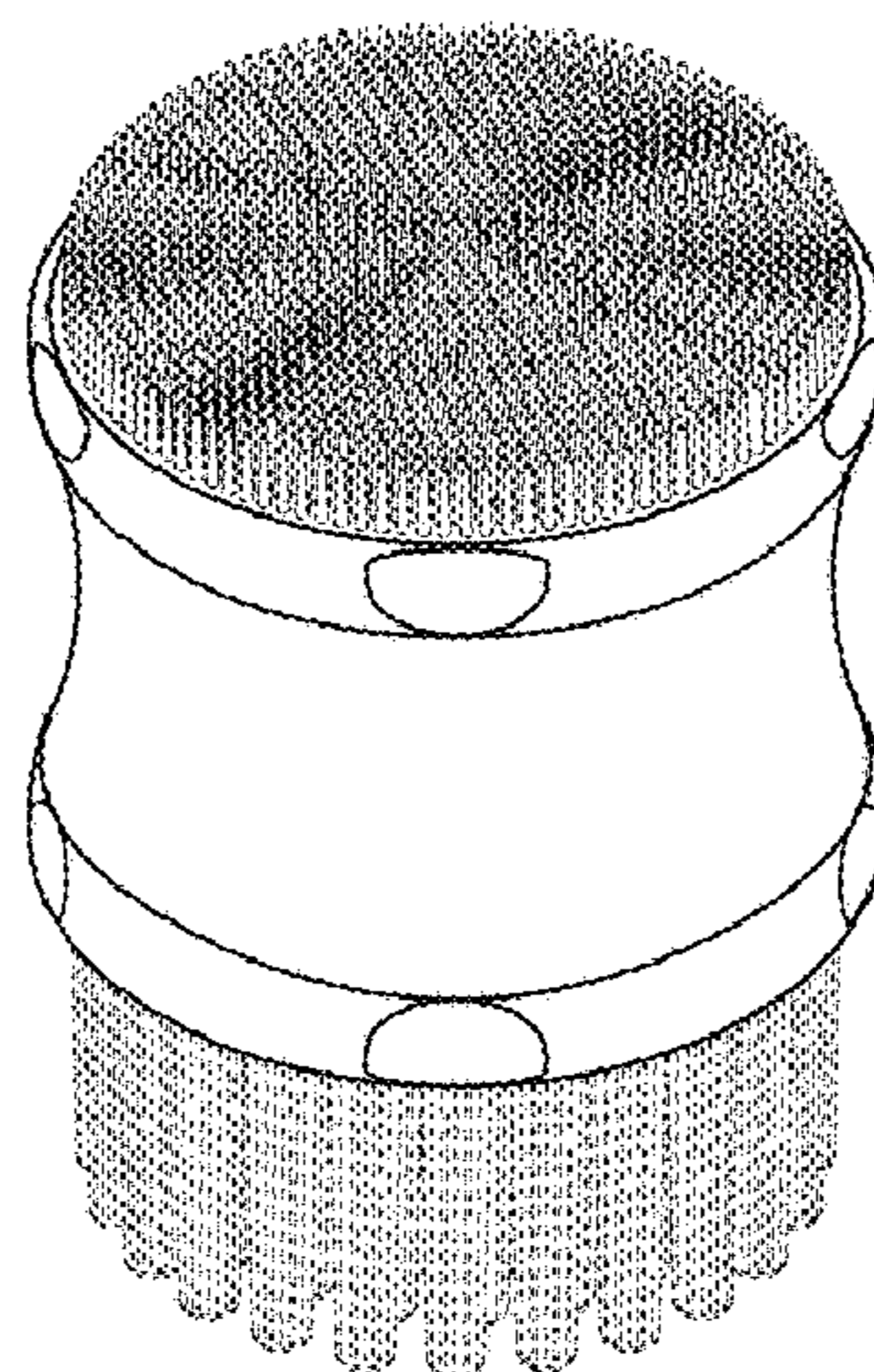
U.S. PATENT DOCUMENTS

D320,311 S * 10/1991 Kuhn D3/200
D326,778 S * 6/1992 Vetter 401/288
D420,516 S * 2/2000 Schoeneweis D4/114
D438,013 S * 2/2001 Hay D4/114
D439,052 S * 3/2001 Hay D4/114
D439,053 S * 3/2001 Hay D4/114
D447,635 S * 9/2001 Smith D4/114
D458,031 S * 6/2002 Park D4/121
D520,244 S * 5/2006 Huller D4/124
D521,738 S * 5/2006 Huller D4/124
D533,353 S * 12/2006 Daubenspeck D4/114
D550,965 S * 9/2007 Kaposi D4/114
D555,360 S * 11/2007 Lee D4/114

DESCRIPTION

FIG. 1 is a front view of a dual-sided face brush, in accordance with the present invention;
FIG. 2 is a top side view thereof, the bottom side, left side, and right side views are mirror images of the top side;
FIG. 3 is a rear view thereof;
FIG. 4 is a rear perspective view thereof; and,
FIG. 5 is a front perspective view thereof.
The broken lines showing the bristles at the rear of the brush in FIGS. 1-5 form no part of the claimed design.

1 Claim, 1 Drawing Sheet



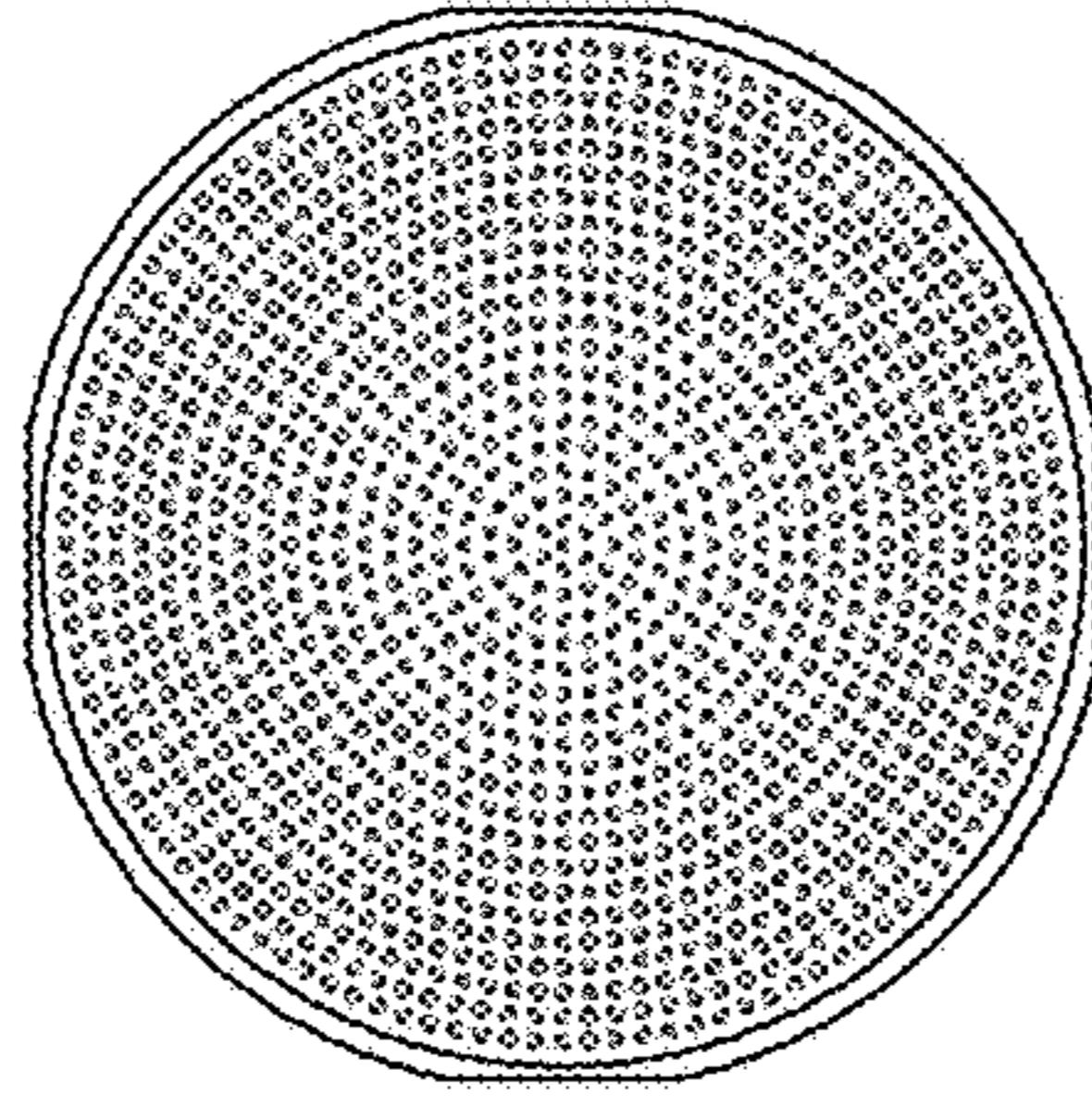


FIG. 1

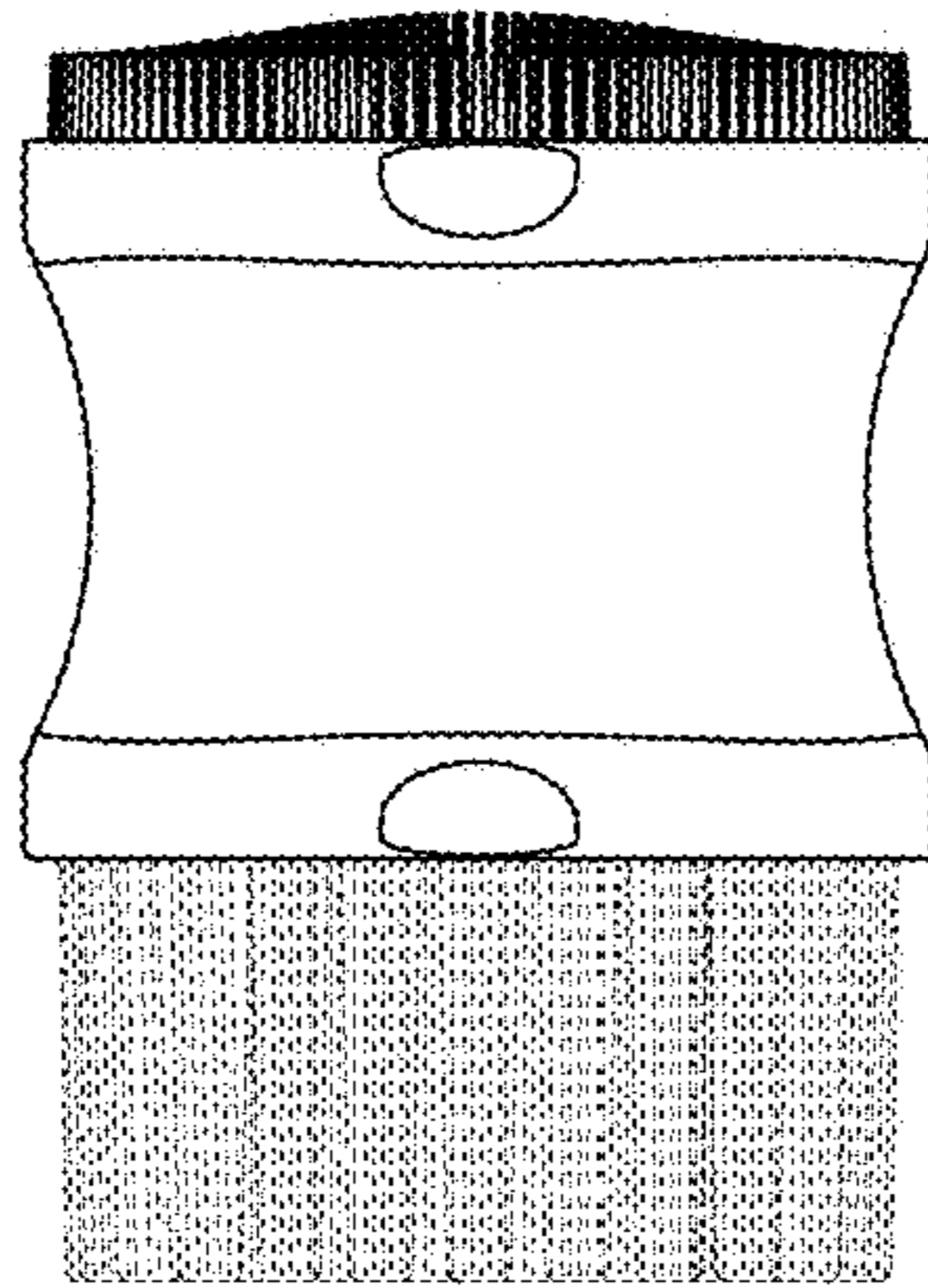


FIG. 2

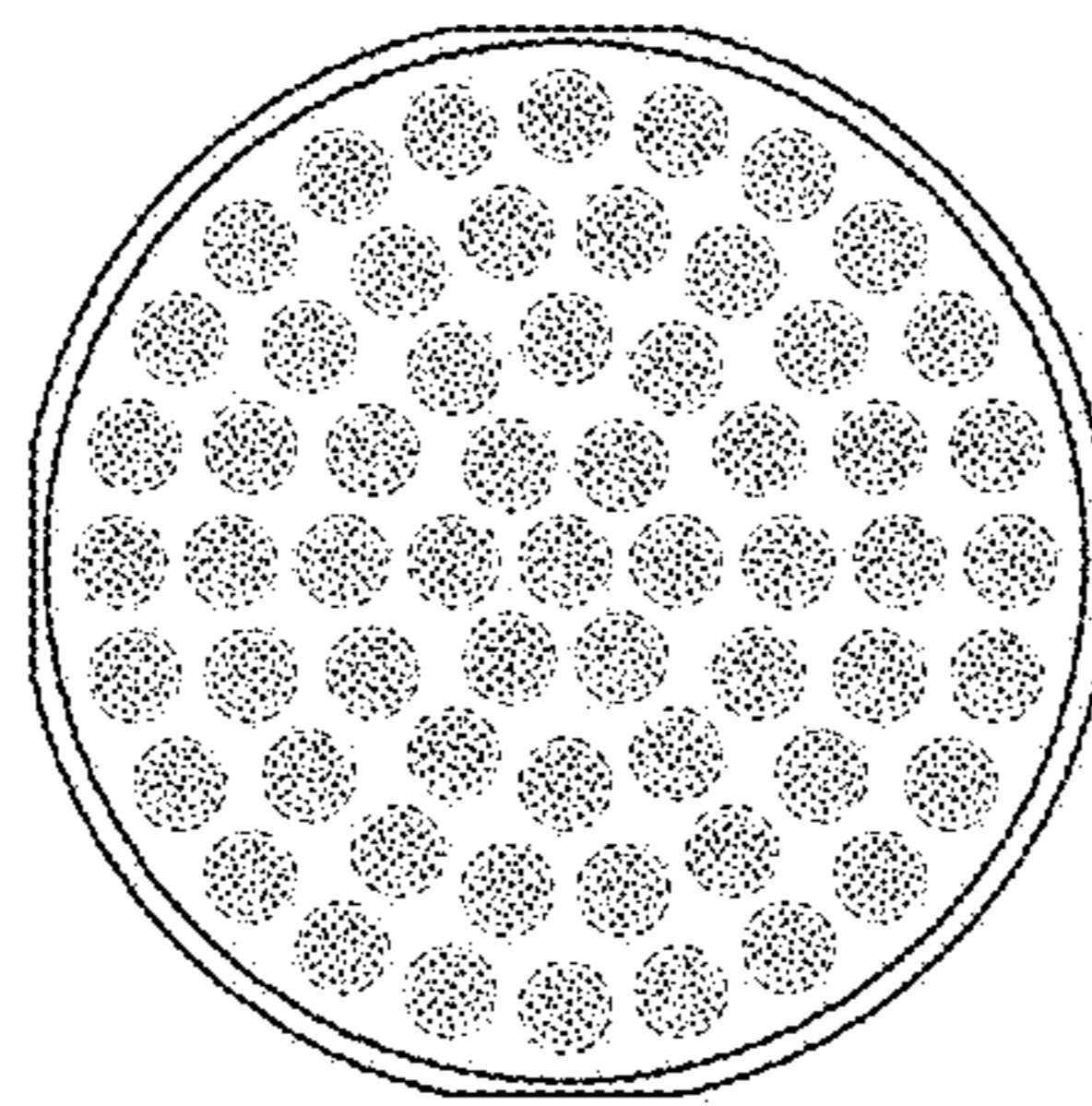


FIG. 3

FIG. 4

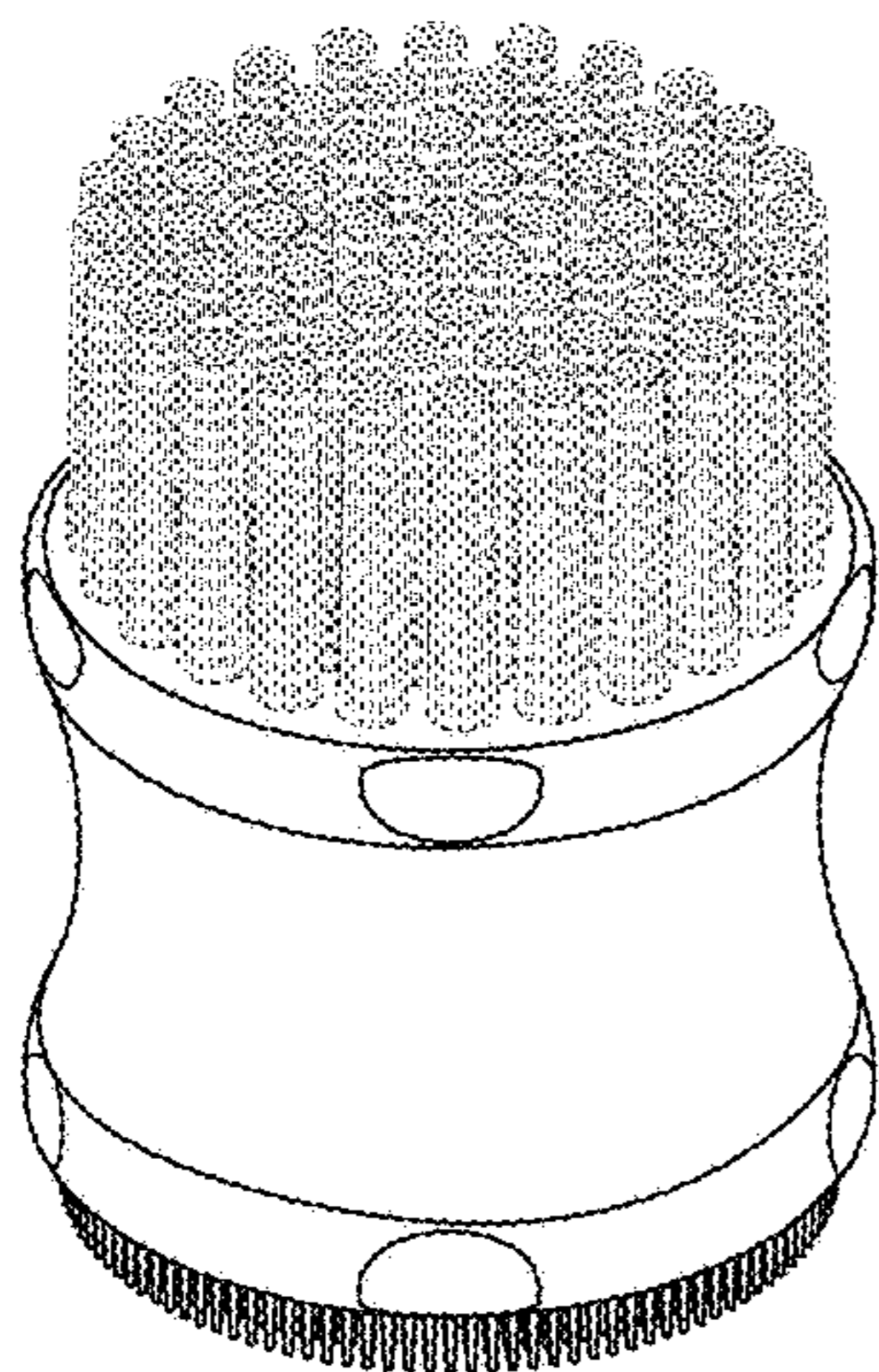


FIG. 5

