



US00D819970S

(12) **United States Design Patent**  
**Morales**

(10) **Patent No.:** **US D819,970 S**  
(45) **Date of Patent:** **\*\* Jun. 12, 2018**

- (54) **SNOWBOARD HARNESS**
- (71) Applicant: **Jonathan Jess Morales**, Elk Grove, CA (US)
- (72) Inventor: **Jonathan Jess Morales**, Elk Grove, CA (US)
- (\*\*) Term: **15 Years**
- (21) Appl. No.: **29/592,925**
- (22) Filed: **Feb. 3, 2017**
- (51) **LOC (11) Cl.** ..... **03-01**
- (52) **U.S. Cl.**  
USPC ..... **D3/261**
- (58) **Field of Classification Search**  
USPC ..... D3/254, 261, 318, 327, 201, 215  
CPC .... A45F 3/02; A45F 3/04; A45F 3/047; A45F 3/14; A63C 11/02; A63C 11/023; A63C 17/00; A63C 17/01; A63C 17/02-17/28  
See application file for complete search history.

D720,531 S *	1/2015	Judson	.....	D3/261
9,655,433 B2 *	5/2017	Steele	.....	A63C 11/025
9,656,152 B2 *	5/2017	Steele	.....	A63C 11/025
2014/0014697 A1 *	1/2014	Schmierer	.....	A45F 3/047 224/259

\* cited by examiner

*Primary Examiner* — Mitchell I. Siegel  
(74) *Attorney, Agent, or Firm* — Law Offices of David M. Lang; David M. Lang

(57) **CLAIM**

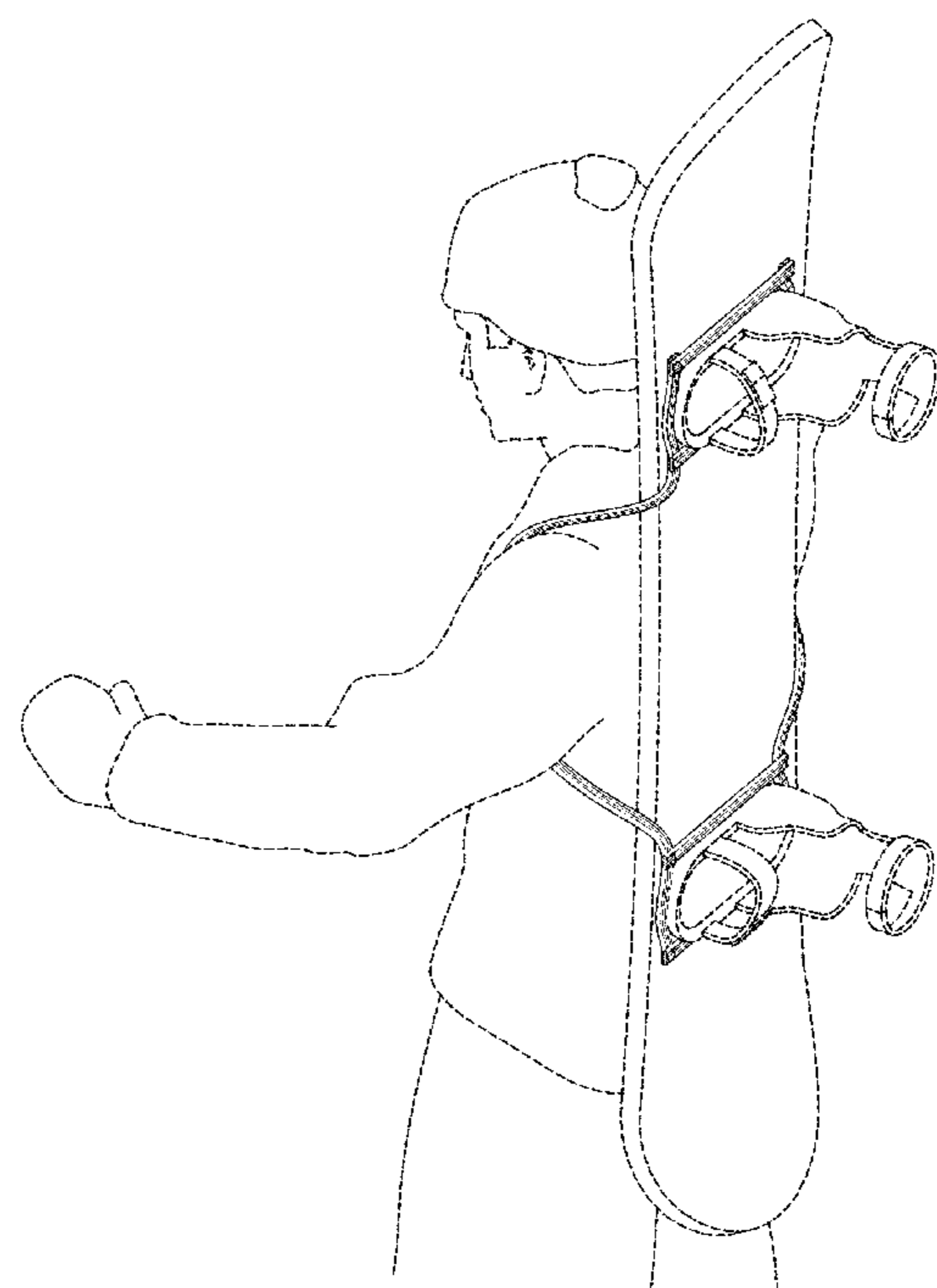
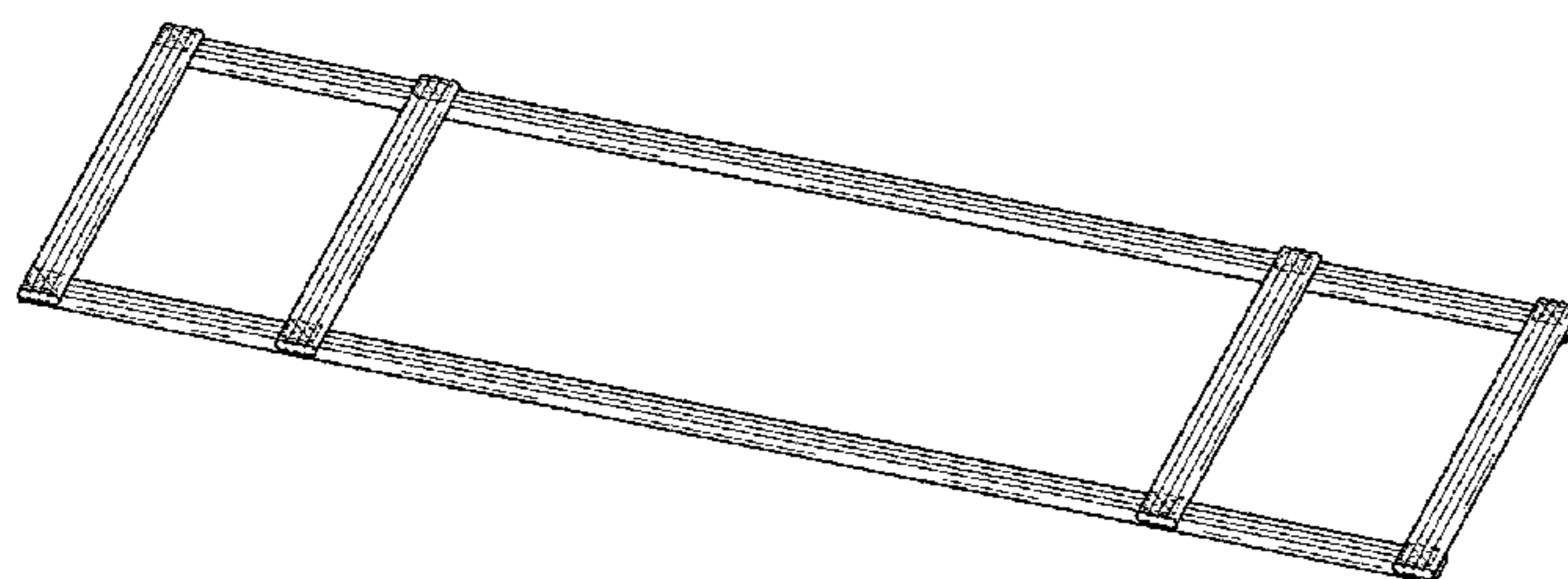
The ornamental design for a snowboard harness, as shown and described.

**DESCRIPTION**

FIG. 1 is a top perspective view of a snowboard harness showing my new design.  
 FIG. 2 is a side perspective view thereof;  
 FIG. 3 is a bottom perspective view thereof;  
 FIG. 4 is a top view thereof;  
 FIG. 5 is a bottom view thereof;  
 FIG. 6 is a side elevation view, the opposite side being a mirror image thereof;  
 FIG. 7. is a front view, the opposite side being a mirror image thereof;  
 FIG. 8 is a perspective view showing the design in use on an unclaimed snowboard; and,  
 FIG. 9 is a perspective view showing the design in use on an unclaimed snowboard being carried by an unclaimed person. The broken line showing of the snowboard and human figure is included for the purpose of illustrating environment and forms no part of the claimed design.

**1 Claim, 4 Drawing Sheets**

- (56) **References Cited**  
U.S. PATENT DOCUMENTS
- |                |         |           |       |                      |
|----------------|---------|-----------|-------|----------------------|
| D342,381 S *   | 12/1993 | Brink     | ..... | D3/259               |
| 5,344,056 A *  | 9/1994  | Challoner | ..... | A45F 3/14<br>224/581 |
| D362,327 S *   | 9/1995  | Nelson    | ..... | D34/28               |
| D390,001 S *   | 2/1998  | Lovelady  | ..... | D3/221               |
| 6,182,875 B1 * | 2/2001  | Fareghi   | ..... | A45F 3/14<br>224/258 |
| D614,864 S *   | 5/2010  | Clayton   | ..... | D3/221               |
| 7,971,763 B2 * | 7/2011  | Chace     | ..... | A45F 5/14<br>224/153 |



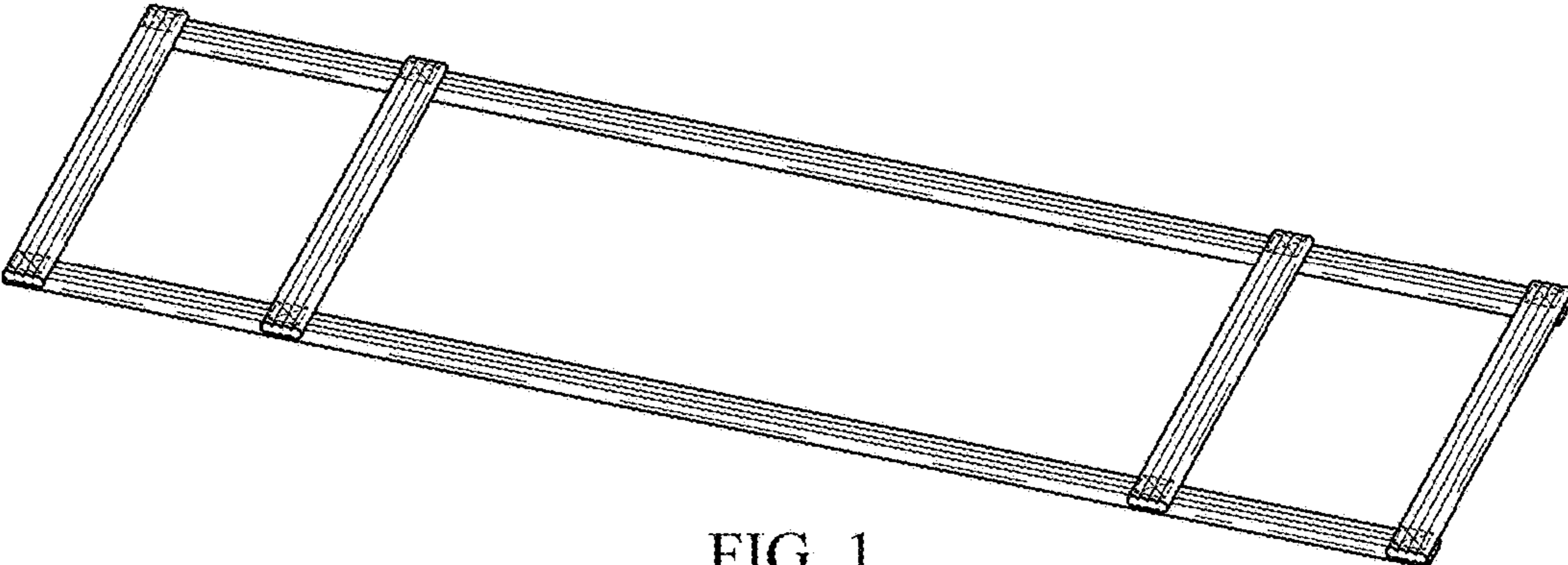


FIG. 1

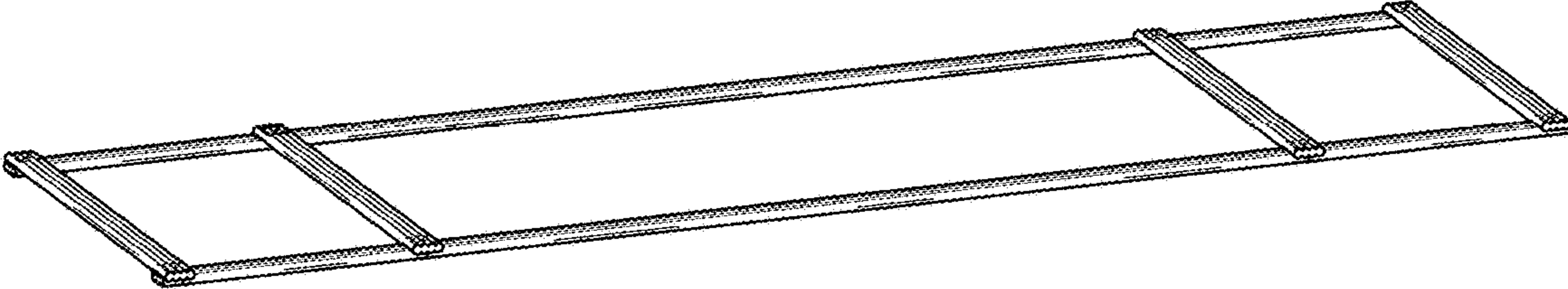


FIG. 2

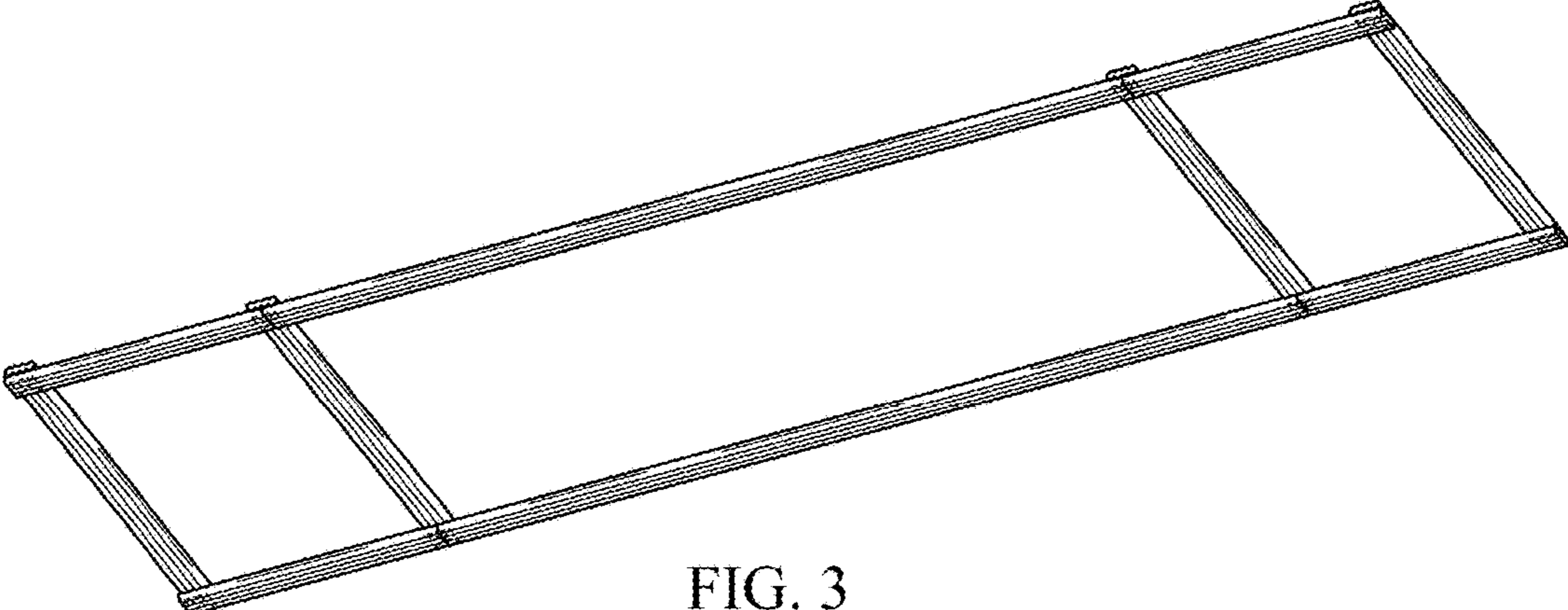


FIG. 3

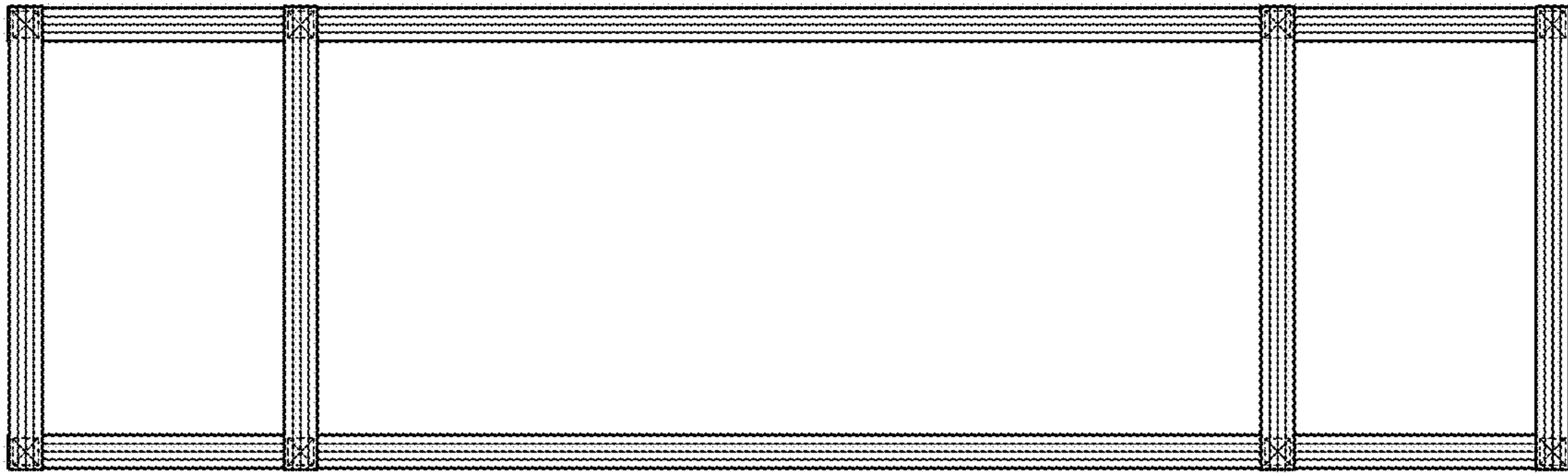


FIG. 4

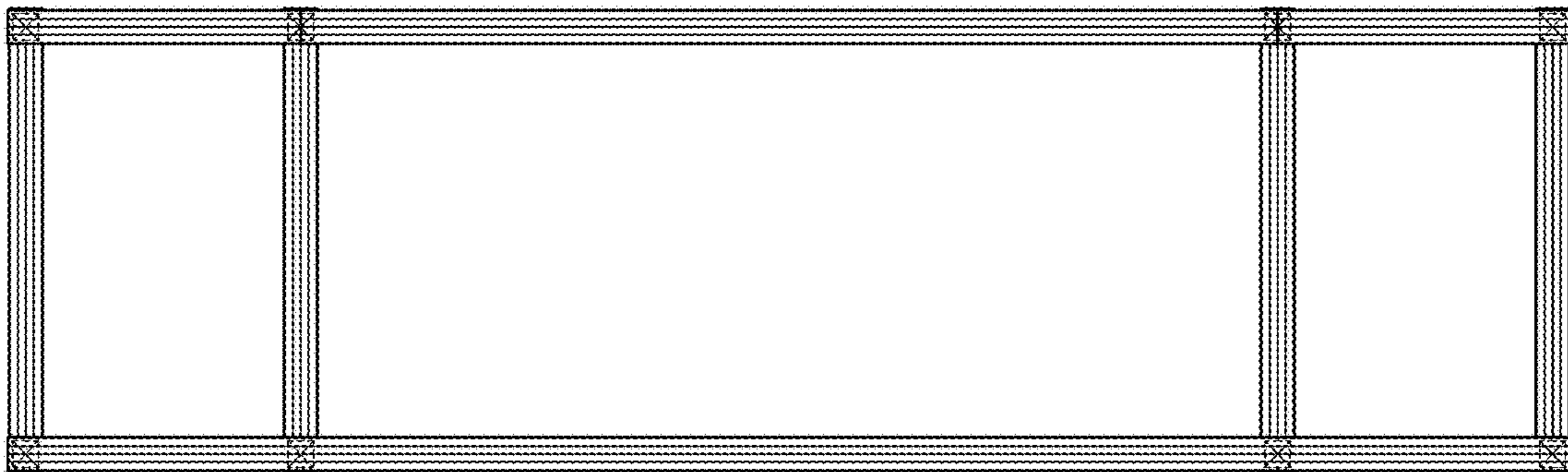


FIG. 5

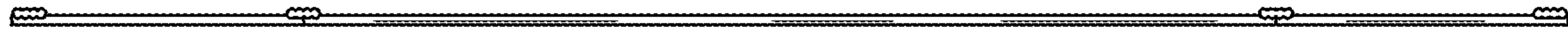


FIG. 6

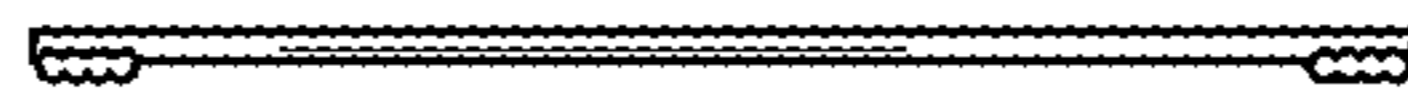


FIG. 7

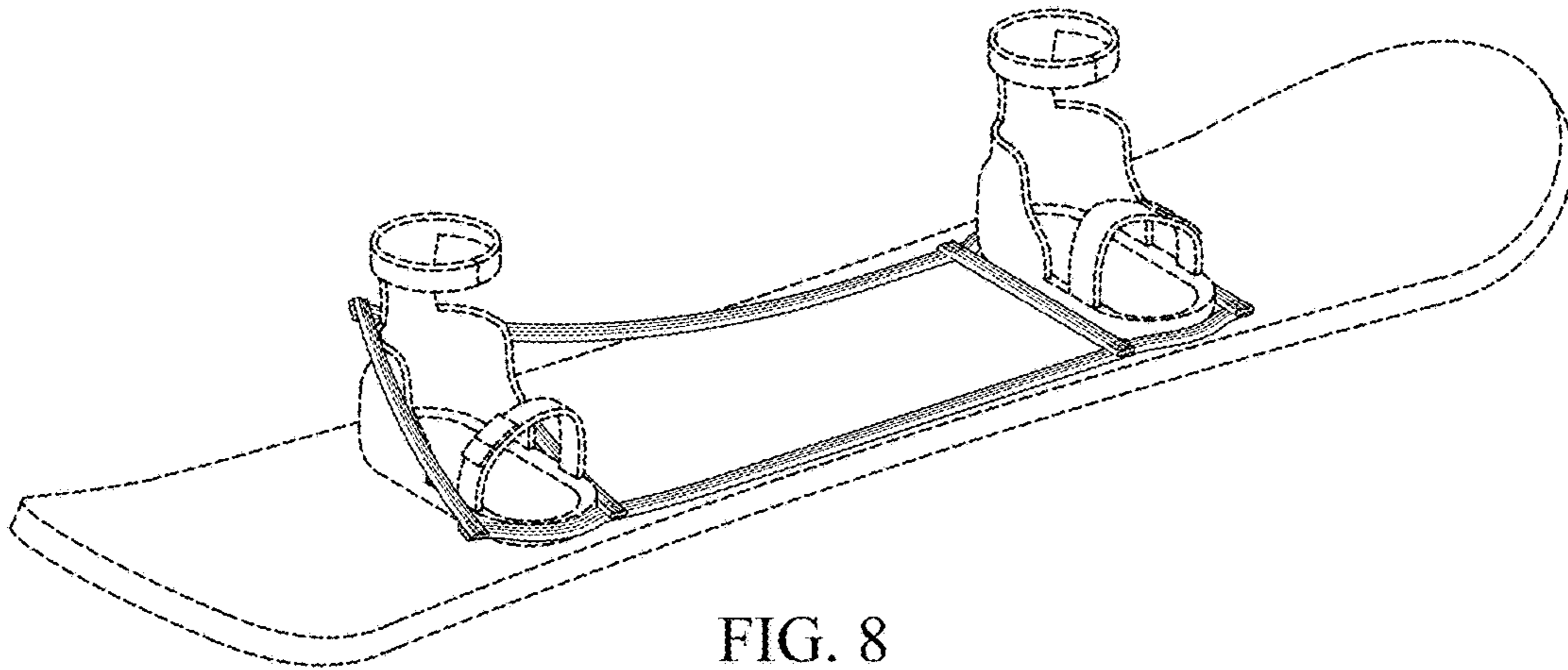


FIG. 8

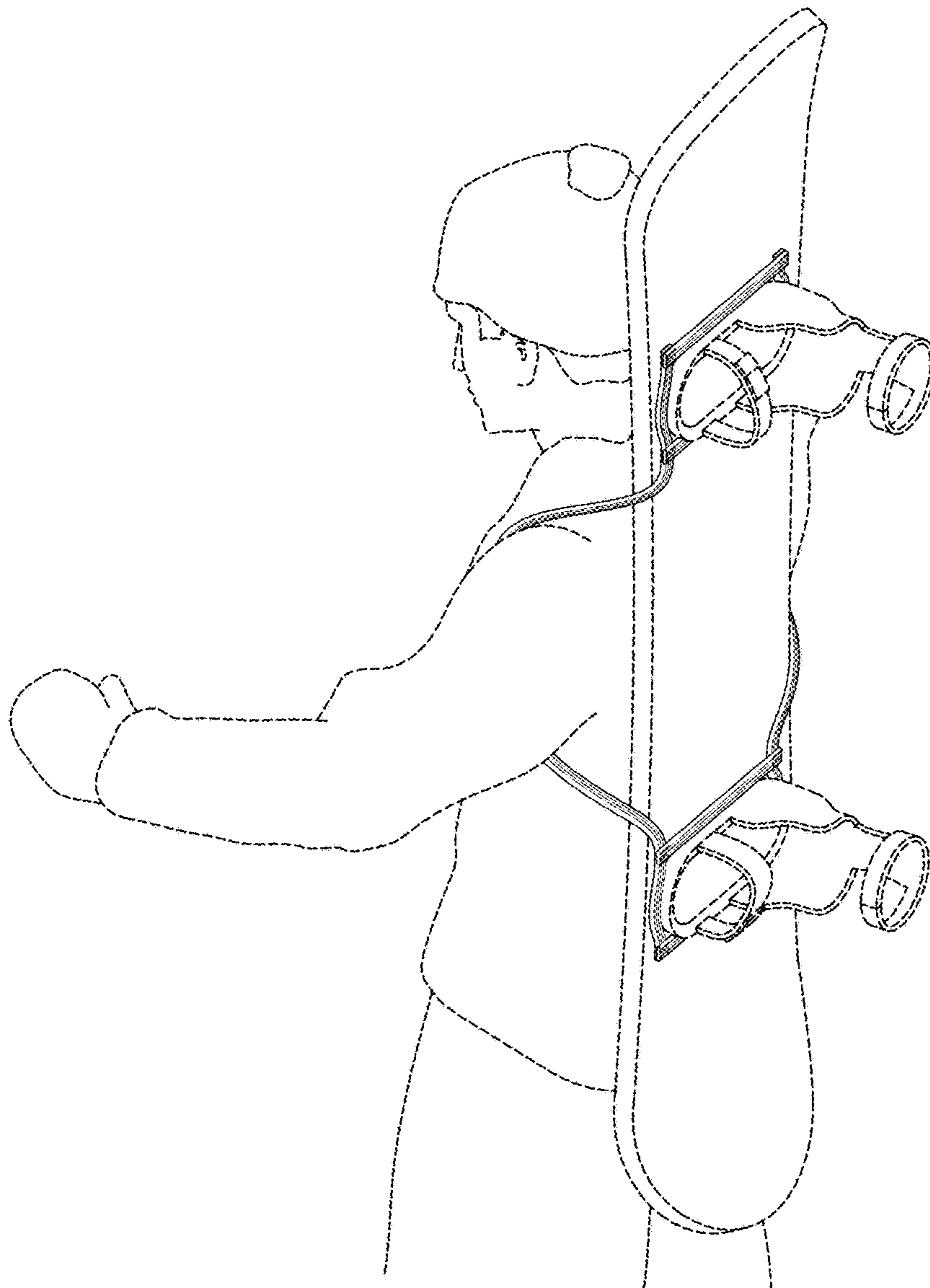


FIG. 9