



US00D819968S

(12) **United States Design Patent**  
**Bernheim**

(10) **Patent No.:** **US D819,968 S**

(45) **Date of Patent:** **\*\* Jun. 12, 2018**

(54) **CARD HOLDER**

(71) Applicant: **MONDAINE WATCH LTD**, Pfäffikon  
Sz (CH)

(72) Inventor: **André Bernheim**, Meilen (CH)

(\*\*) Term: **15 Years**

(21) Appl. No.: **35/502,032**

(22) Filed: **Jun. 8, 2016**

(80) **Hague Agreement Data**

Int. Filing Date: **Jun. 8, 2016**  
Int. Reg. No.: **DM/091059**  
Int. Reg. Date: **Jun. 8, 2016**  
Int. Reg. Pub. Date: **Dec. 9, 2016**

(51) **LOC (11) Cl.** ..... **03-01**

(52) **U.S. Cl.**  
USPC ..... **D3/247**

(58) **Field of Classification Search**

USPC ..... D6/630, 632; D3/247-253  
CPC ..... A45C 11/18; A45C 11/182; A45C 1/06;  
A45C 13/185; A45C 1/04; A45C  
2001/065

See application file for complete search history.

(56) **References Cited**

**U.S. PATENT DOCUMENTS**

D384,538 S \* 10/1997 Bosworth ..... D6/632  
D392,806 S \* 3/1998 Lee ..... D6/320  
D574,439 S \* 8/2008 Klinsky ..... D21/394

D653,855 S \* 2/2012 Yoon ..... D3/303  
D685,842 S \* 7/2013 Glass ..... D19/3  
D718,932 S \* 12/2014 Gross ..... D3/247  
D728,230 S \* 5/2015 Oas ..... D3/247  
D776,426 S \* 1/2017 Smith ..... D3/247  
2010/0038000 A1\* 2/2010 Ho ..... A45C 11/182  
150/147

\* cited by examiner

*Primary Examiner* — George D. Kirschbaum  
*Assistant Examiner* — Jennifer L. Watkins

(57) **CLAIM**

The ornamental design for a card holder, as shown and described.

**DESCRIPTION**

Figure 2.1 is a back side view of a first embodiment of the invention.

Figure 2.2 is a perspective view thereof;

Figure 2.3 is a right side view thereof;

Figure 2.4 is a bottom side view thereof;

Figure 2.5 is a top side view thereof;

Figure 2.6 is a left side view thereof;

Figure 2.7 is a front side view thereof;

Figure 3.1 is a left side view of a second embodiment of the invention.

Figure 3.2 is a front side view thereof;

Figure 3.3 is a back side view thereof;

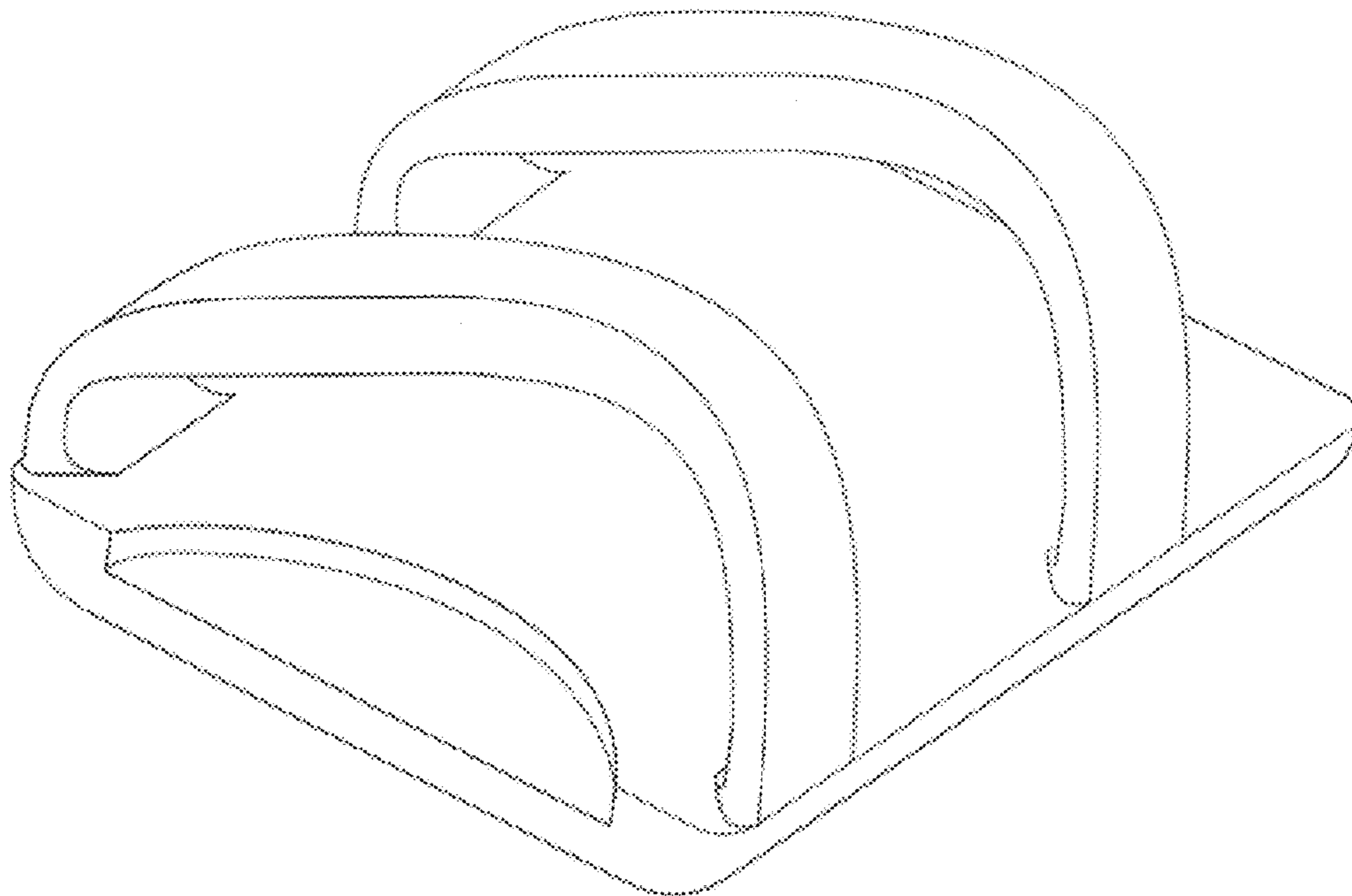
Figure 3.4 is a top side view thereof;

Figure 3.5 is a right side view thereof;

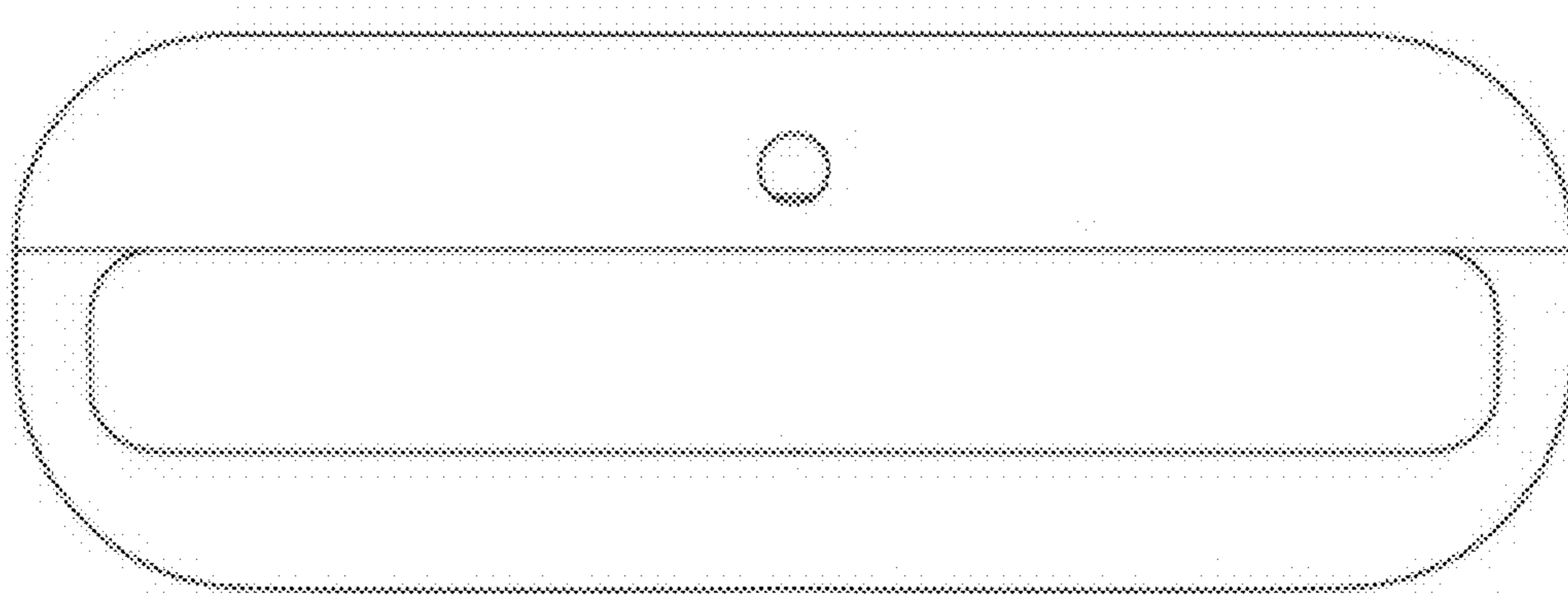
Figure 3.6 is a bottom side view thereof; and

Figure 3.7 is a perspective view thereof.

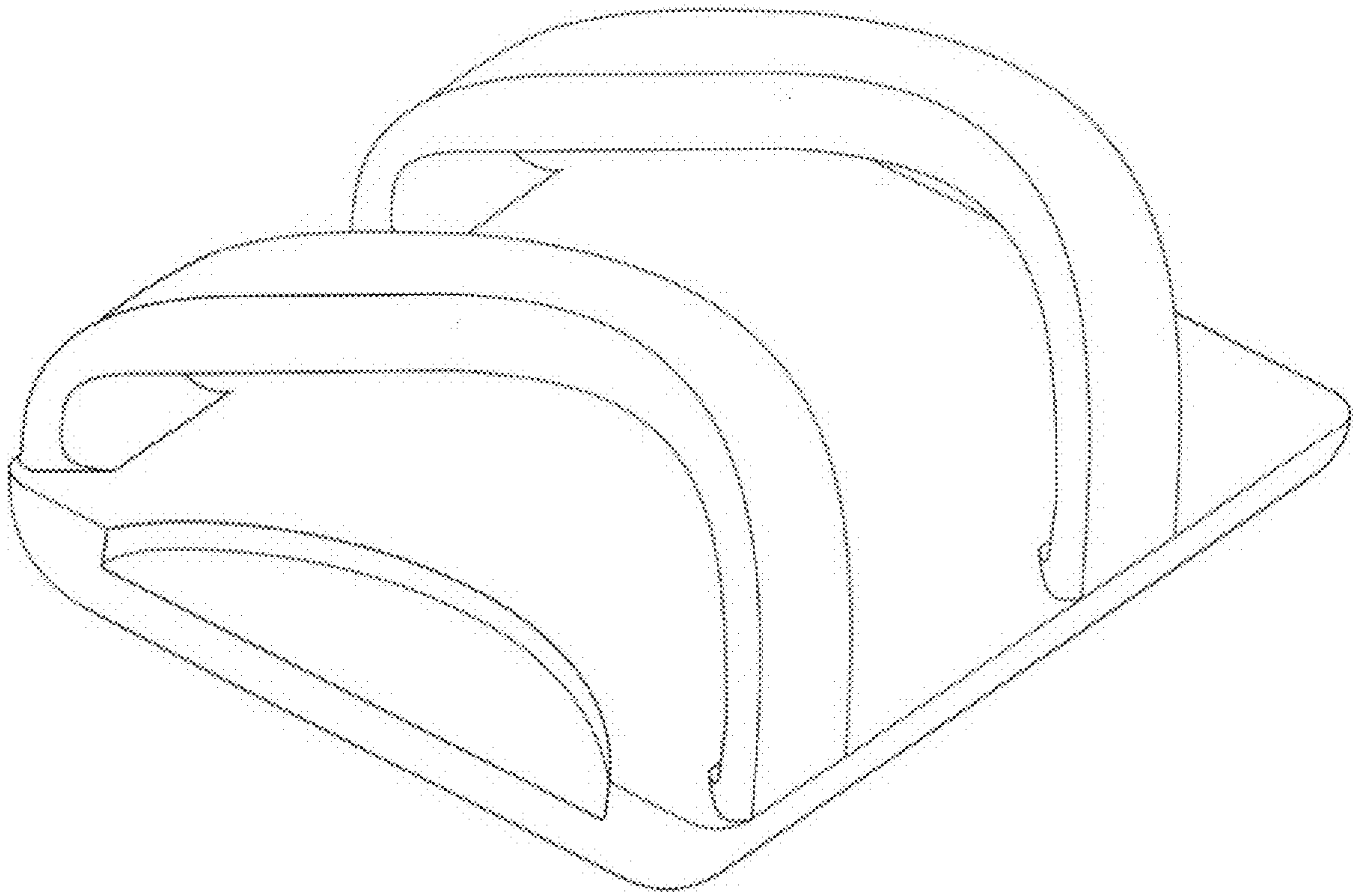
**1 Claim, 14 Drawing Sheets**



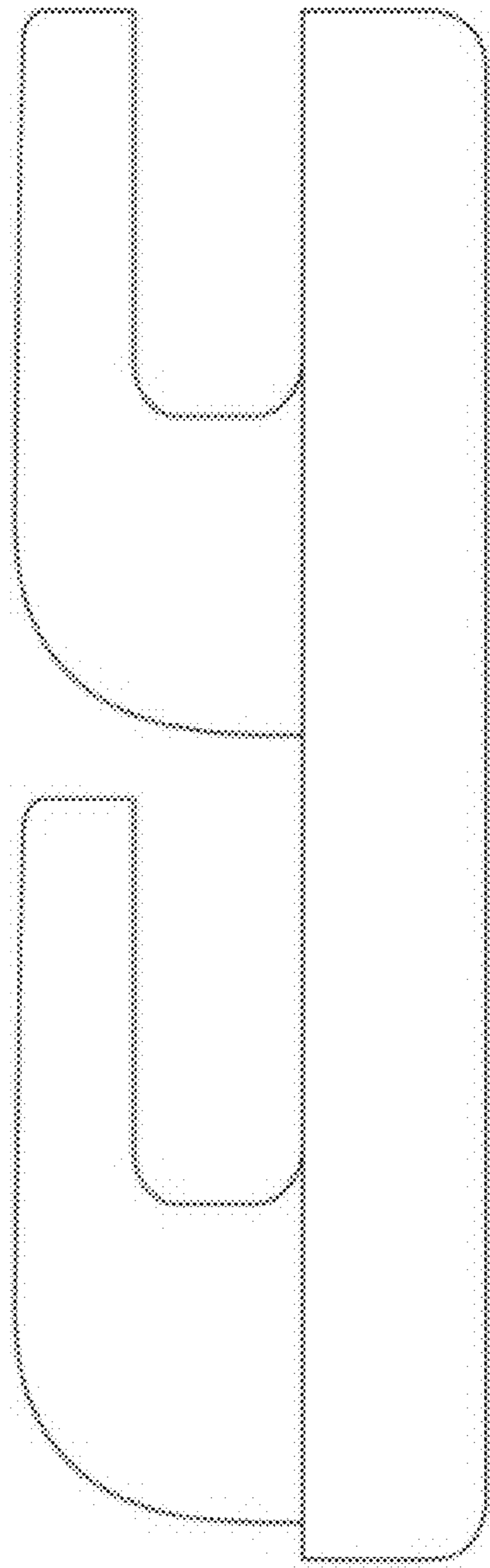
**2.1**



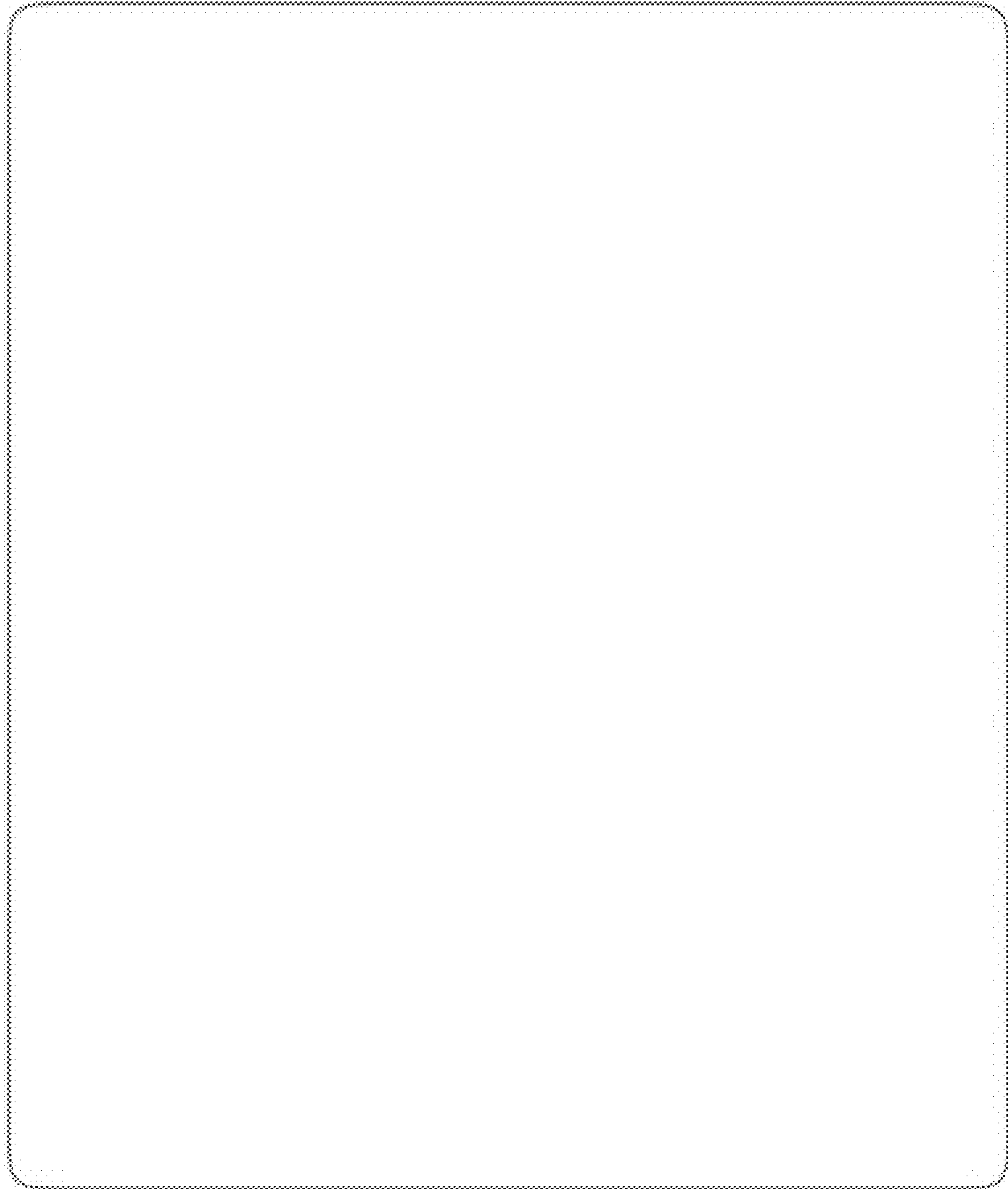
**2.2**



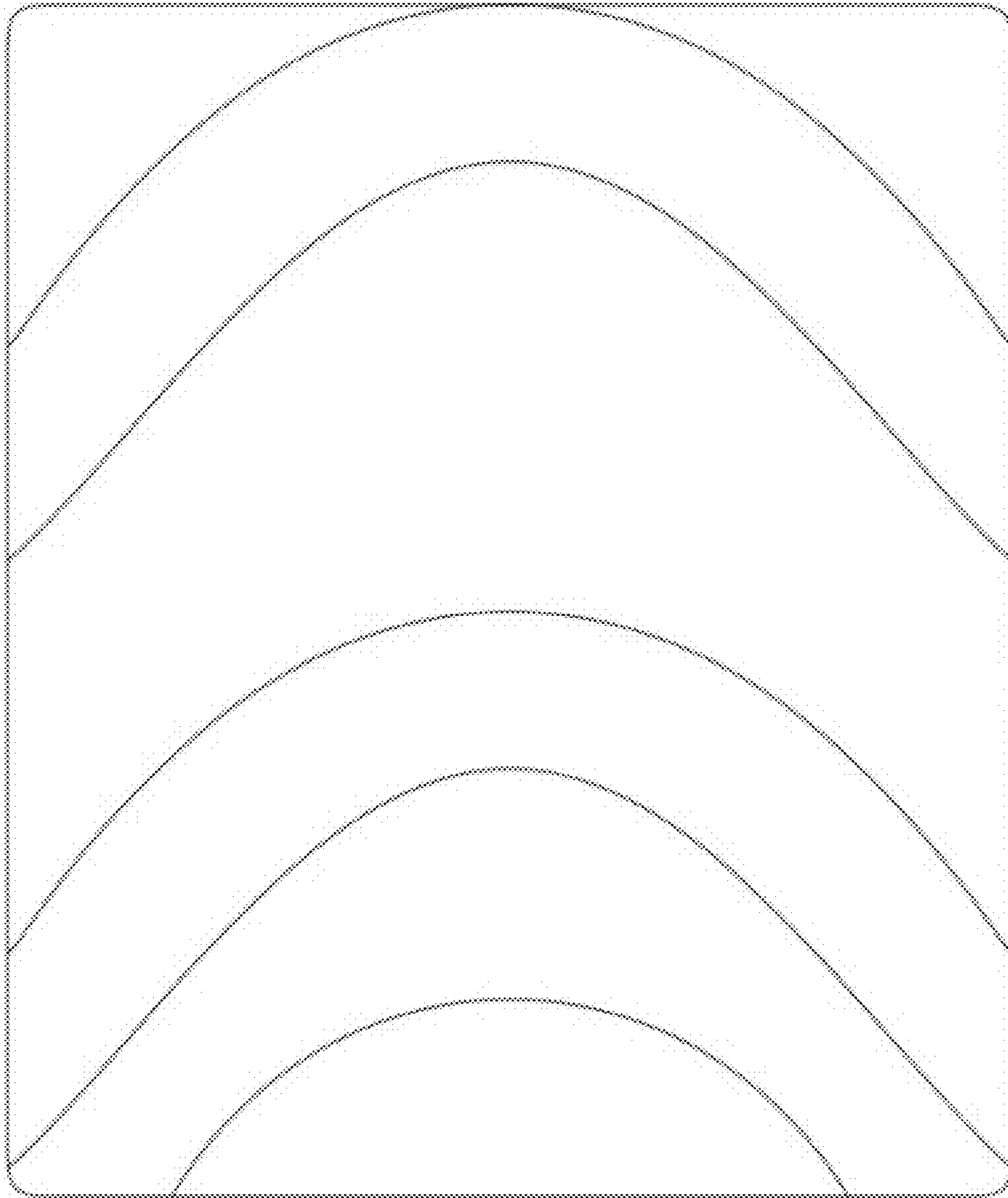
**2.3**



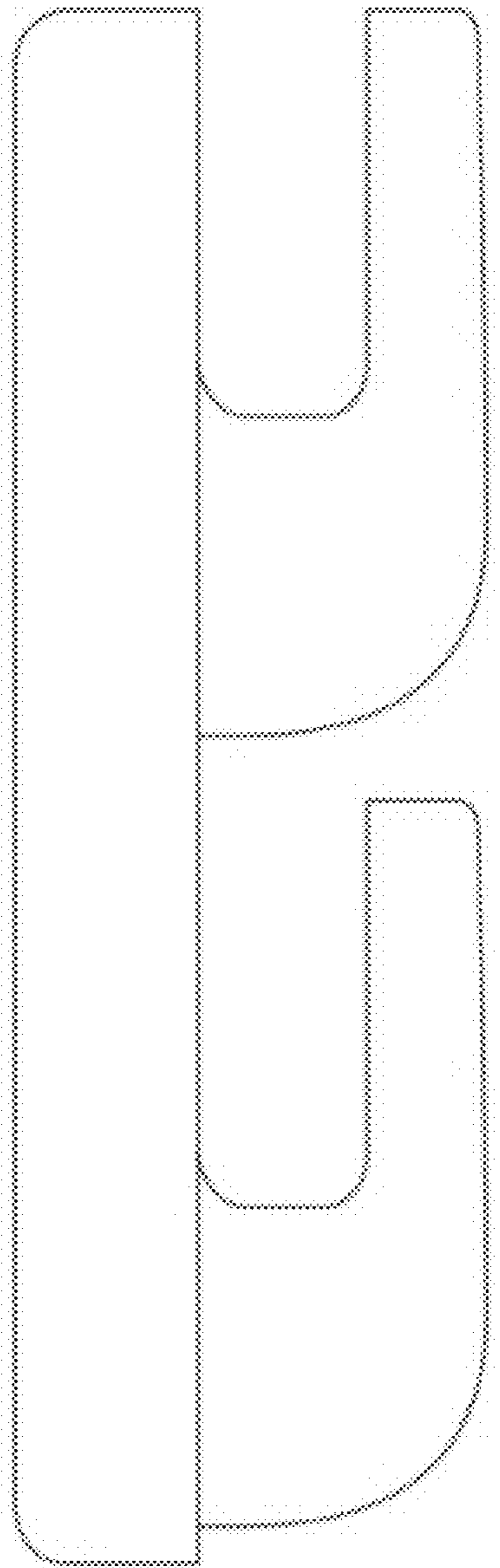
## 2.4



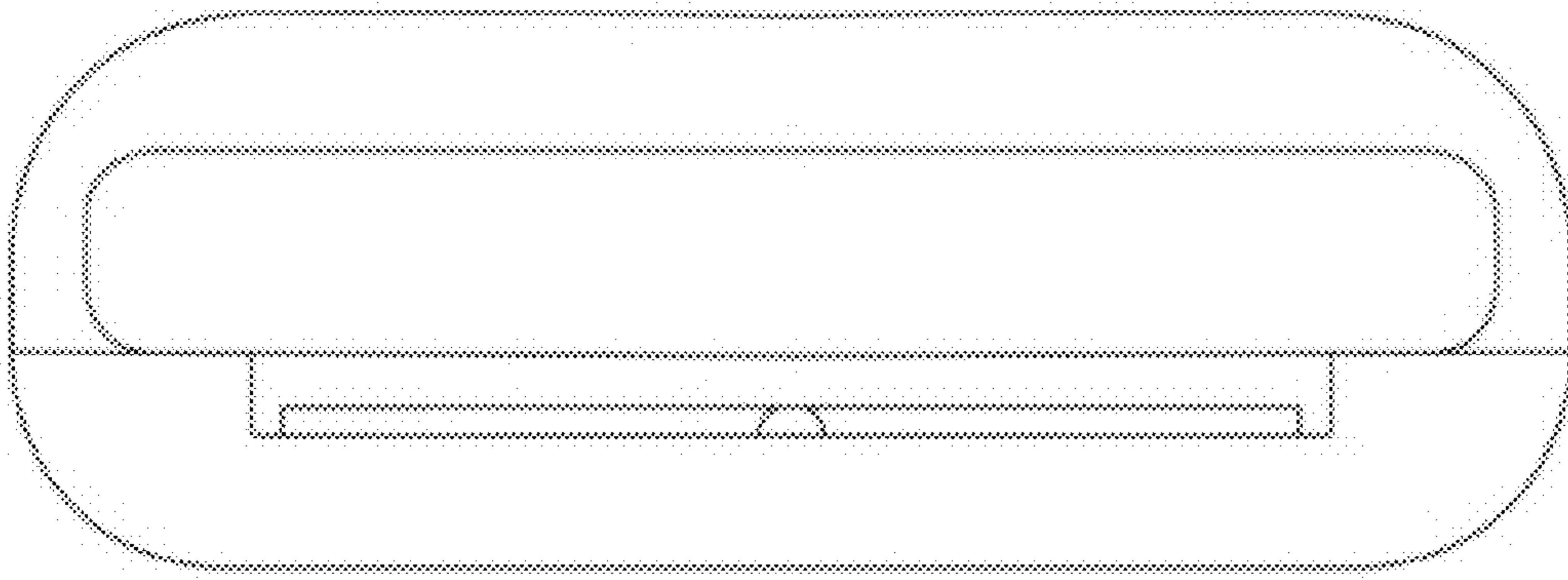
**2.5**



**2.6**

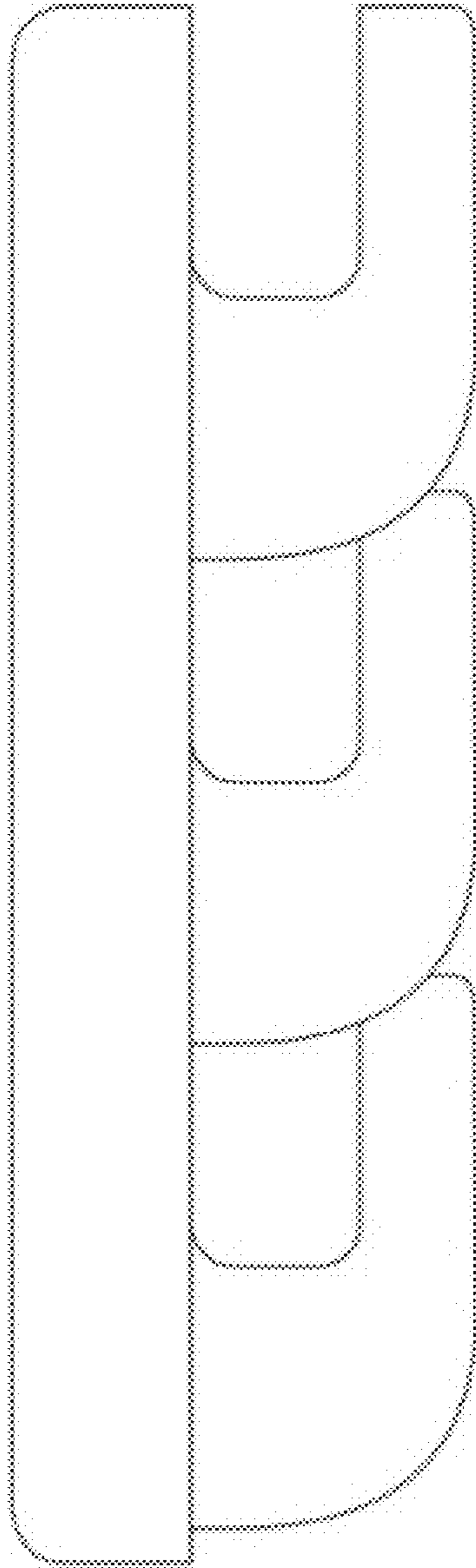


**2.7**

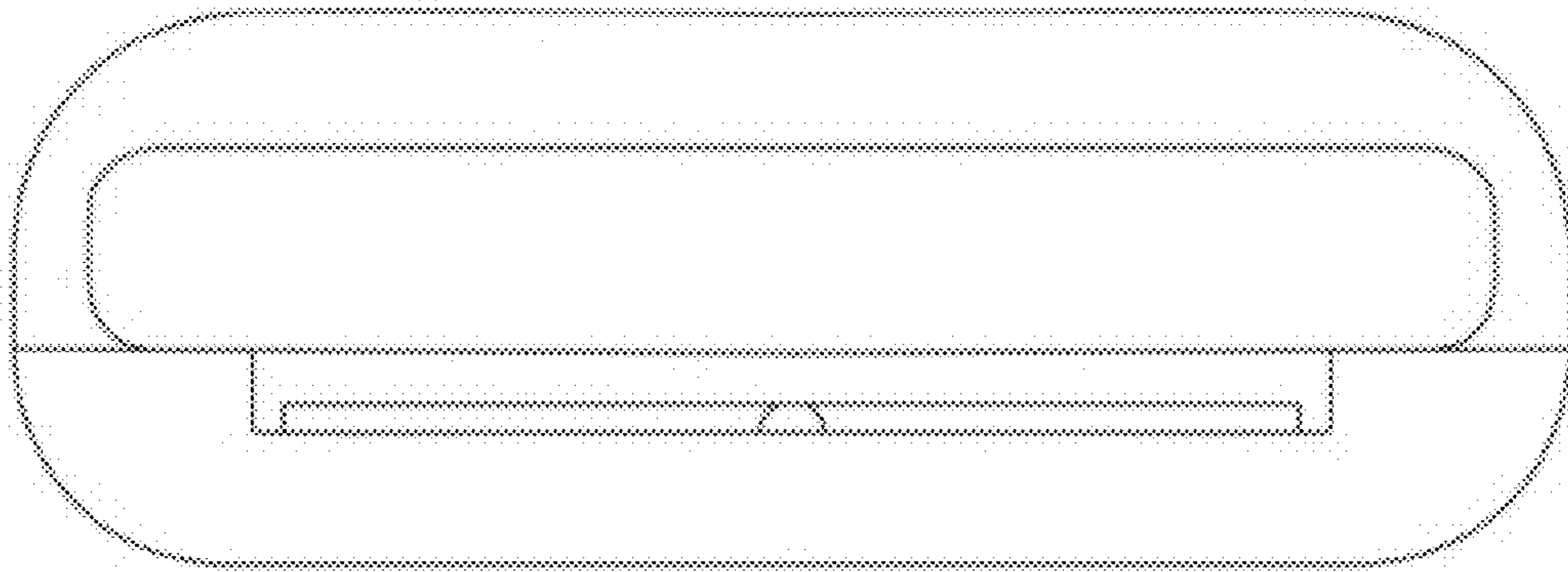




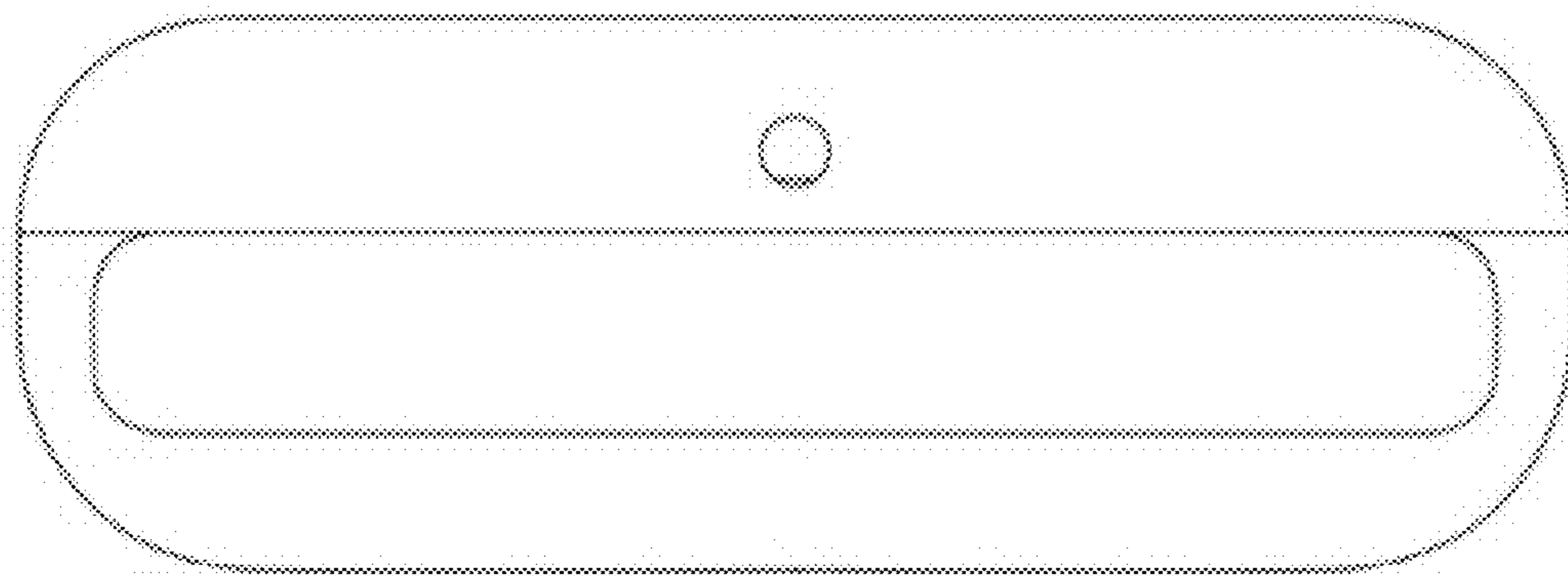
### 3.1



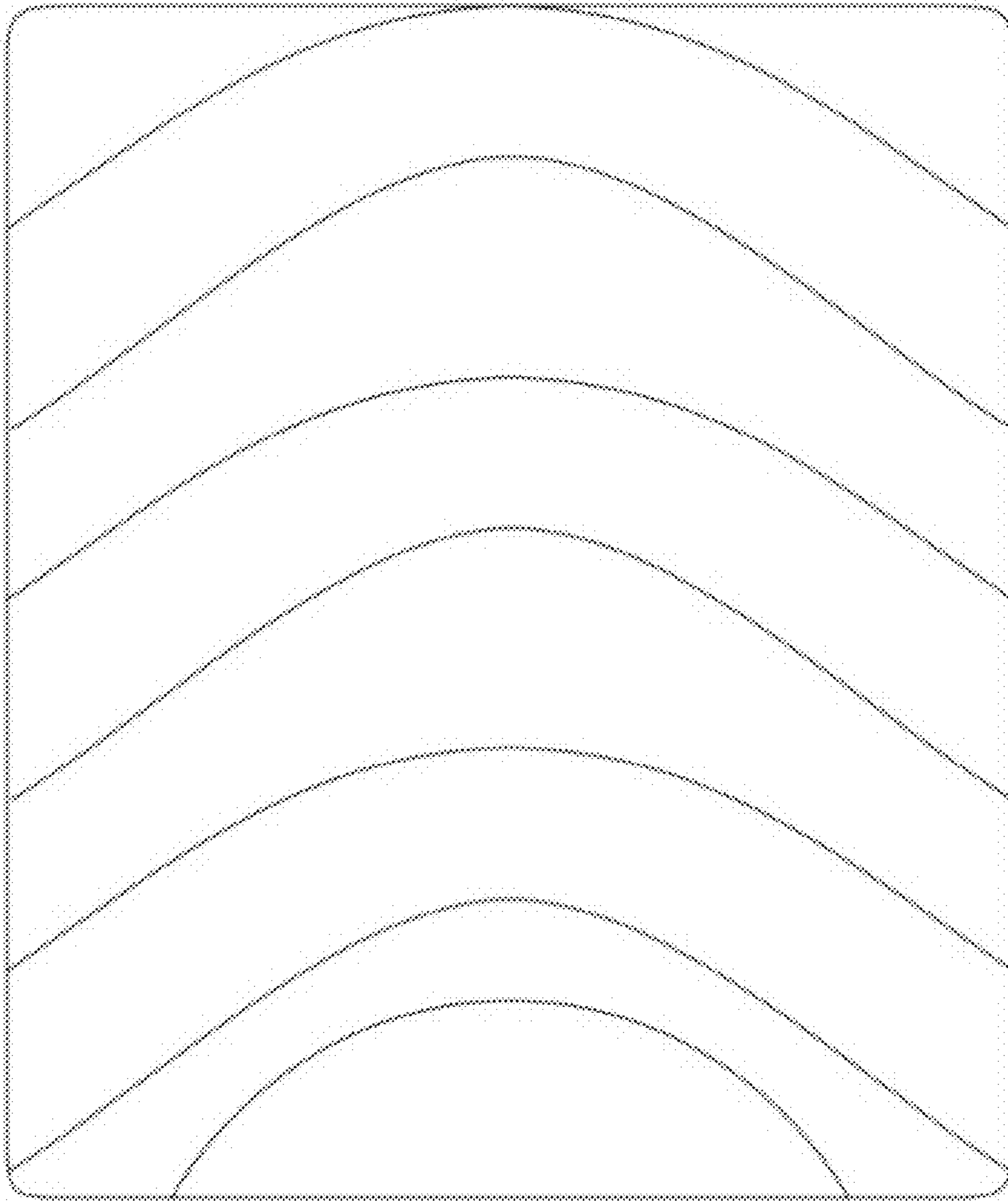
**3.2**



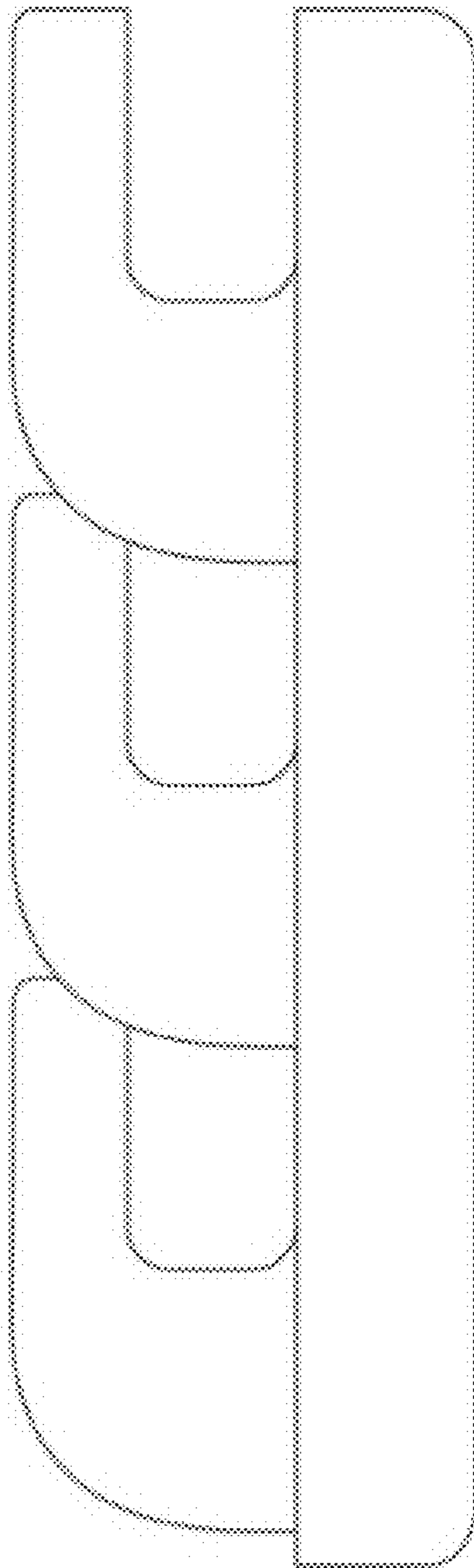
**3.3**



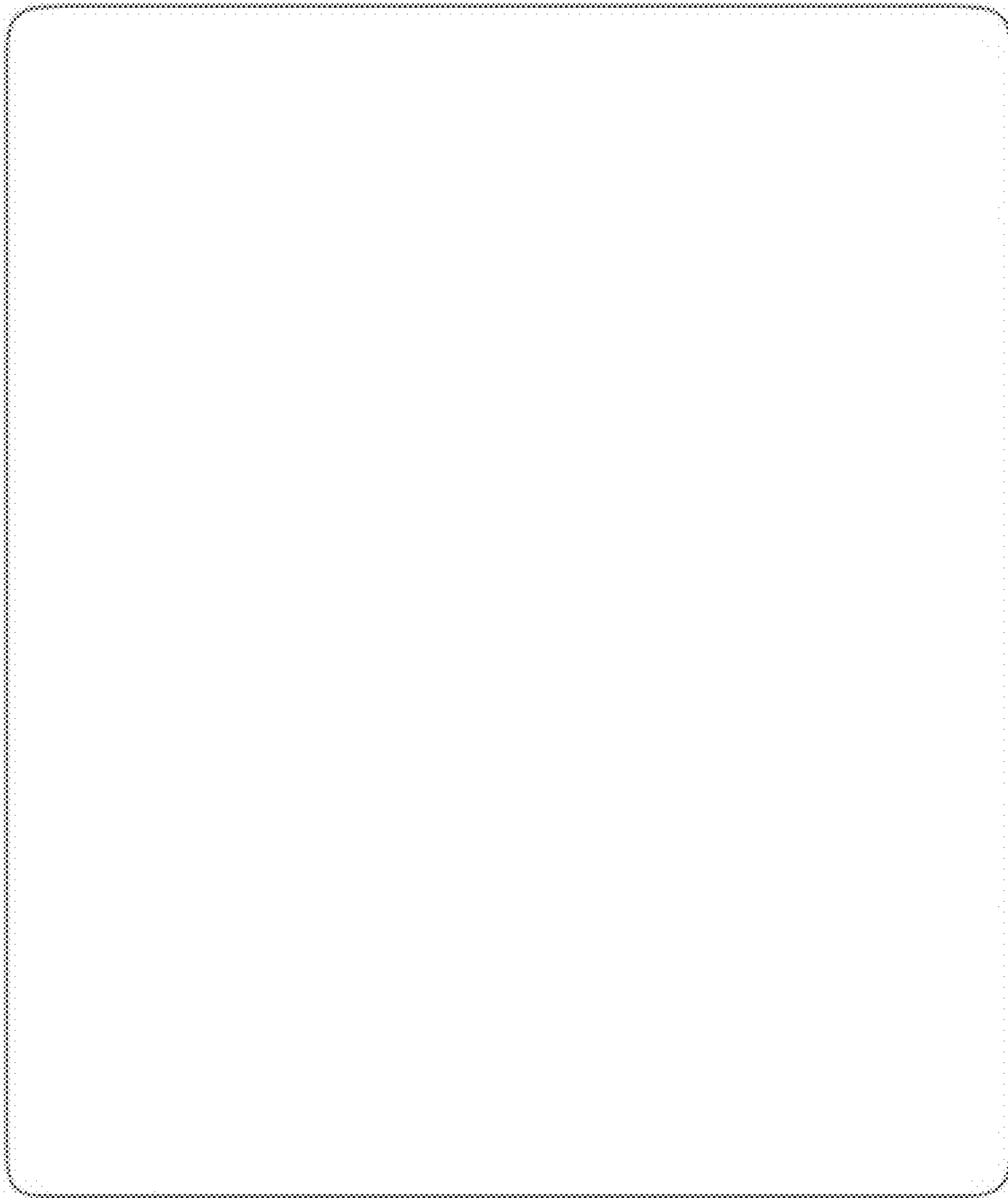
**3.4**



**3.5**



## 3.6



3.7

