



US00D819966S

(12) **United States Design Patent** (10) **Patent No.:** **US D819,966 S**  
**Yu** (45) **Date of Patent:** **\*\* Jun. 12, 2018**

(54) **MULTI-FUNCTIONAL BAG**

(71) Applicant: **Lili Yu**, Shandong (CN)

(72) Inventor: **Lili Yu**, Shandong (CN)

(\*\*) Term: **15 Years**

(21) Appl. No.: **29/595,752**

(22) Filed: **Mar. 1, 2017**

(51) **LOC (11) Cl.** ..... **03-01**

(52) **U.S. Cl.**  
USPC ..... **D3/232**

(58) **Field of Classification Search**  
USPC ..... D3/232-233, 240-243, 245-246  
CPC ..... A45C 1/024; A45C 3/06  
See application file for complete search history.

(56) **References Cited**

**U.S. PATENT DOCUMENTS**

D419,763 S \* 2/2000 Wiebe ..... D3/232  
D765,395 S \* 9/2016 Sanz ..... D3/245  
D776,921 S \* 1/2017 Bennetts ..... D3/232

\* cited by examiner

*Primary Examiner* — Holly H Baynham

(57) **CLAIM**

The ornamental design for a multi-functional bag, as shown and described.

**DESCRIPTION**

FIG. 1 is a first perspective view of a multi-functional bag showing my new design;  
FIG. 2 is a second perspective view thereof;  
FIG. 3 is a third perspective view thereof;  
FIG. 4 is a front elevational view thereof;  
FIG. 5 is a rear elevational view thereof;  
FIG. 6 is a left side view thereof;  
FIG. 7 is a right side view thereof;  
FIG. 8 is a top plan view thereof;  
FIG. 9 is a bottom plan view thereof;  
FIG. 10 is a first perspective view showing the multi-functional bag in a use state;  
FIG. 11 is a second perspective view showing the multi-functional bag in a use state; and,  
FIG. 12 is a third perspective view showing the multi-functional bag in a use state.  
The broken lines in FIGS. 11 and 12 illustrate portions of the multi-functional bag which form no part of the claimed design.

**1 Claim, 12 Drawing Sheets**

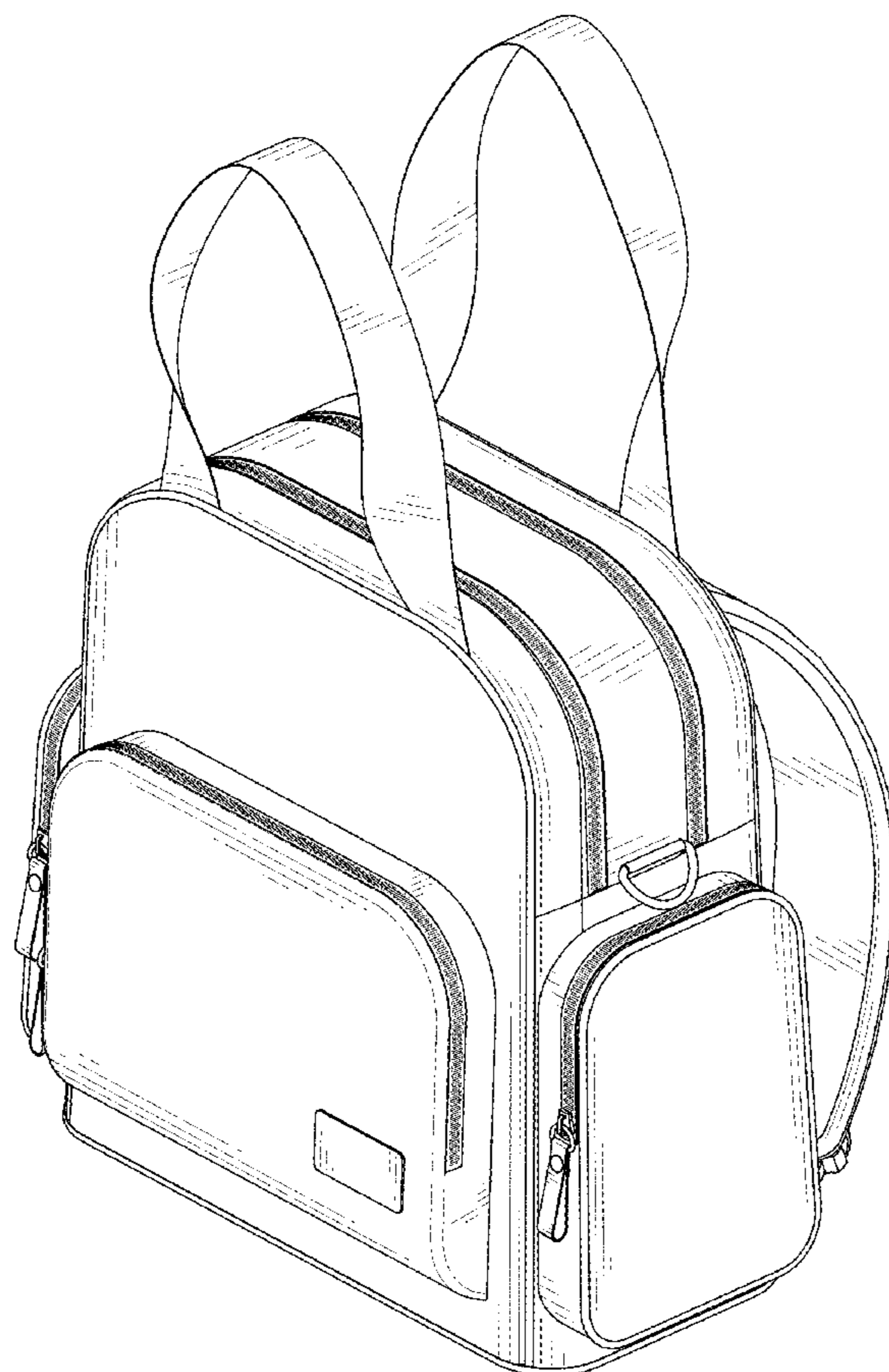




FIG. 1



FIG. 2

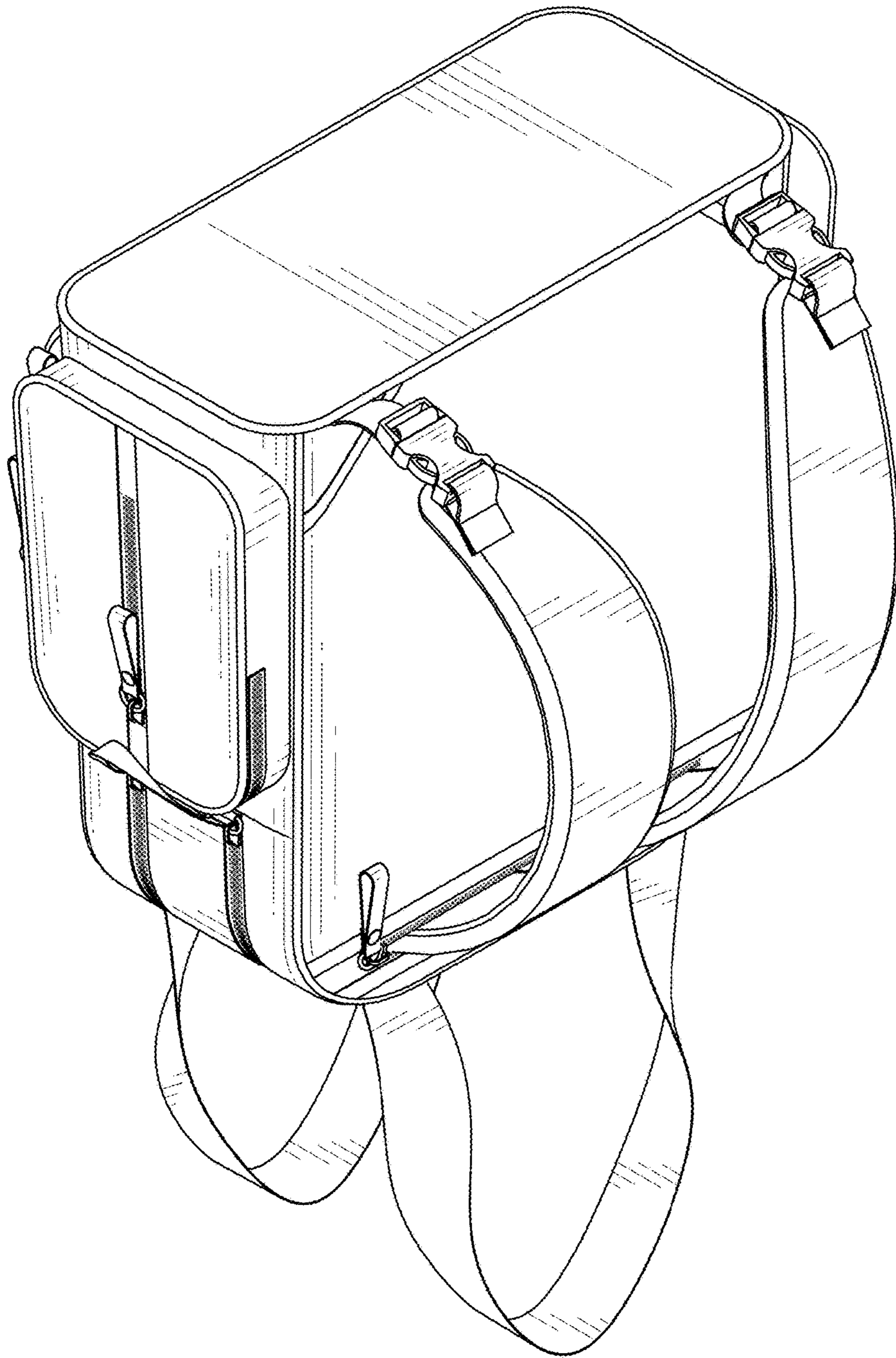


FIG. 3

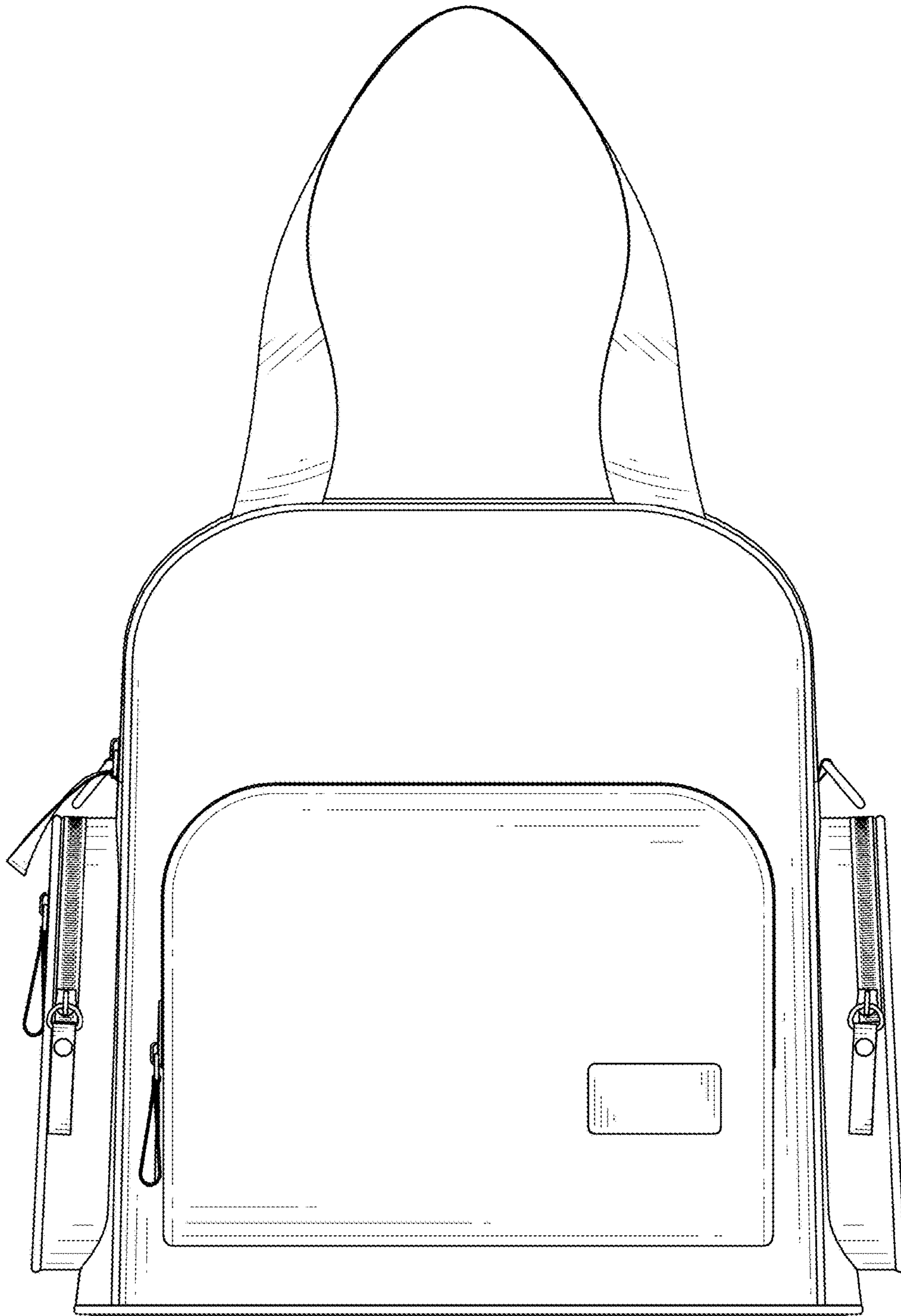


FIG. 4

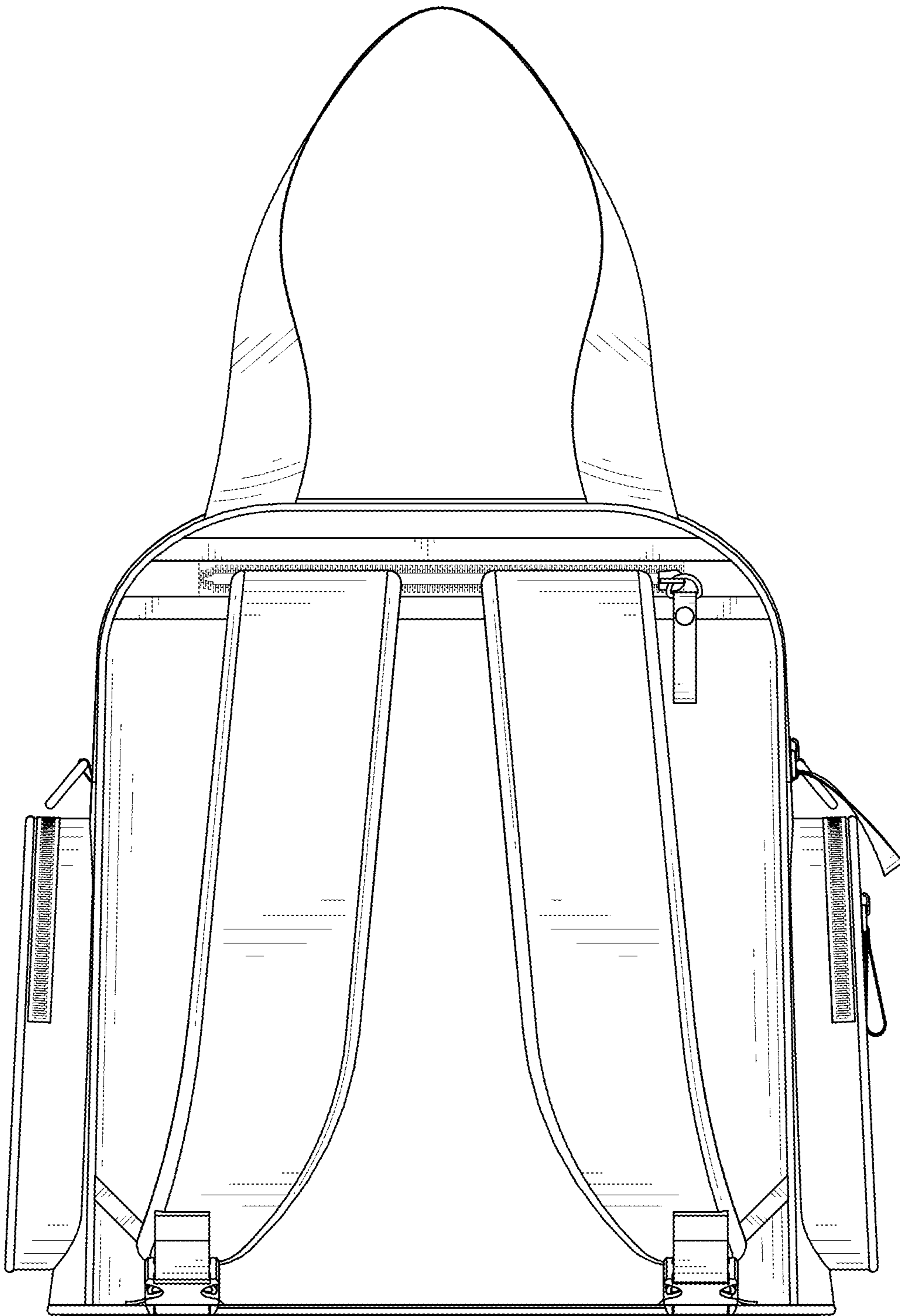


FIG. 5

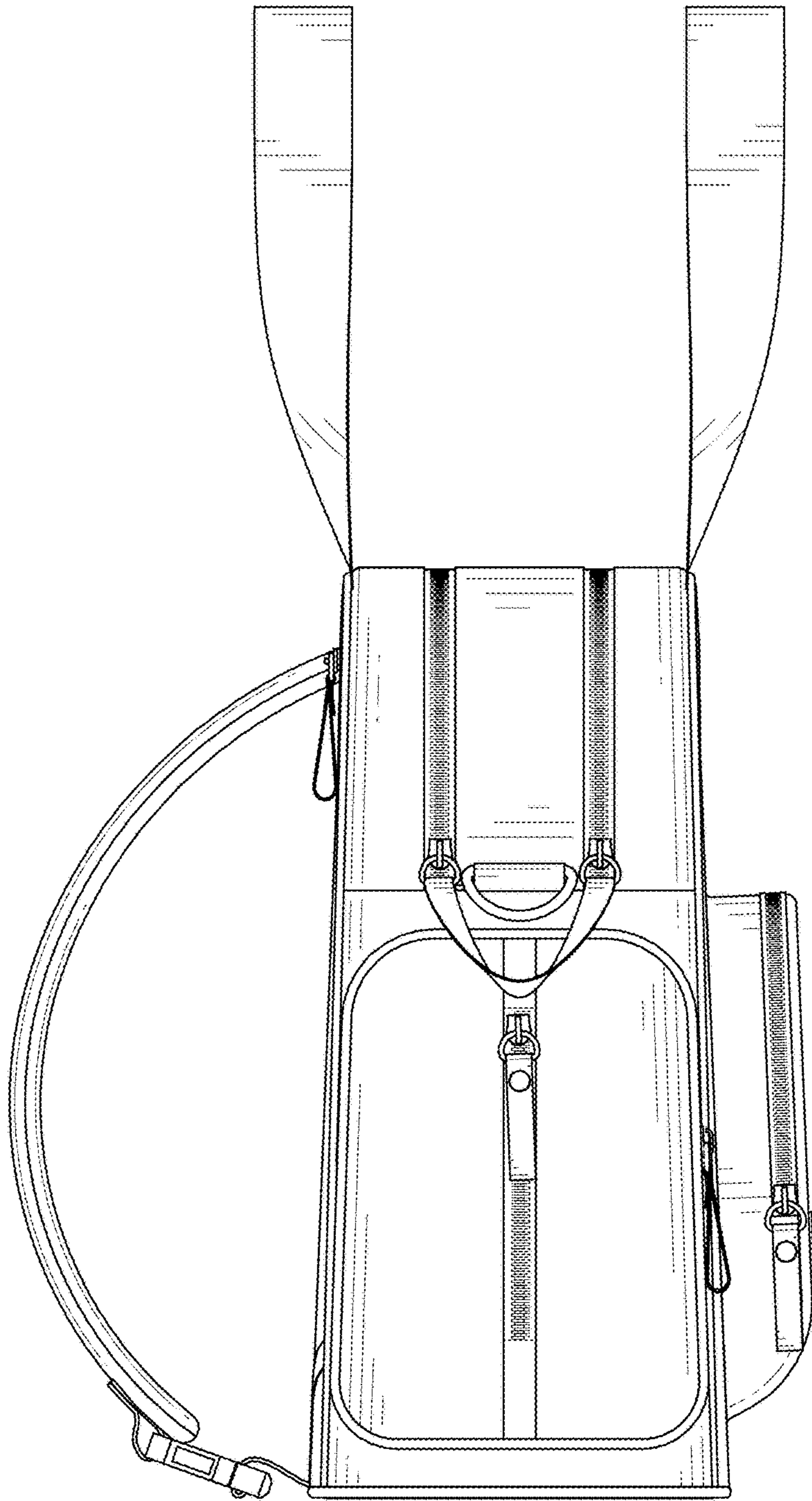


FIG. 6

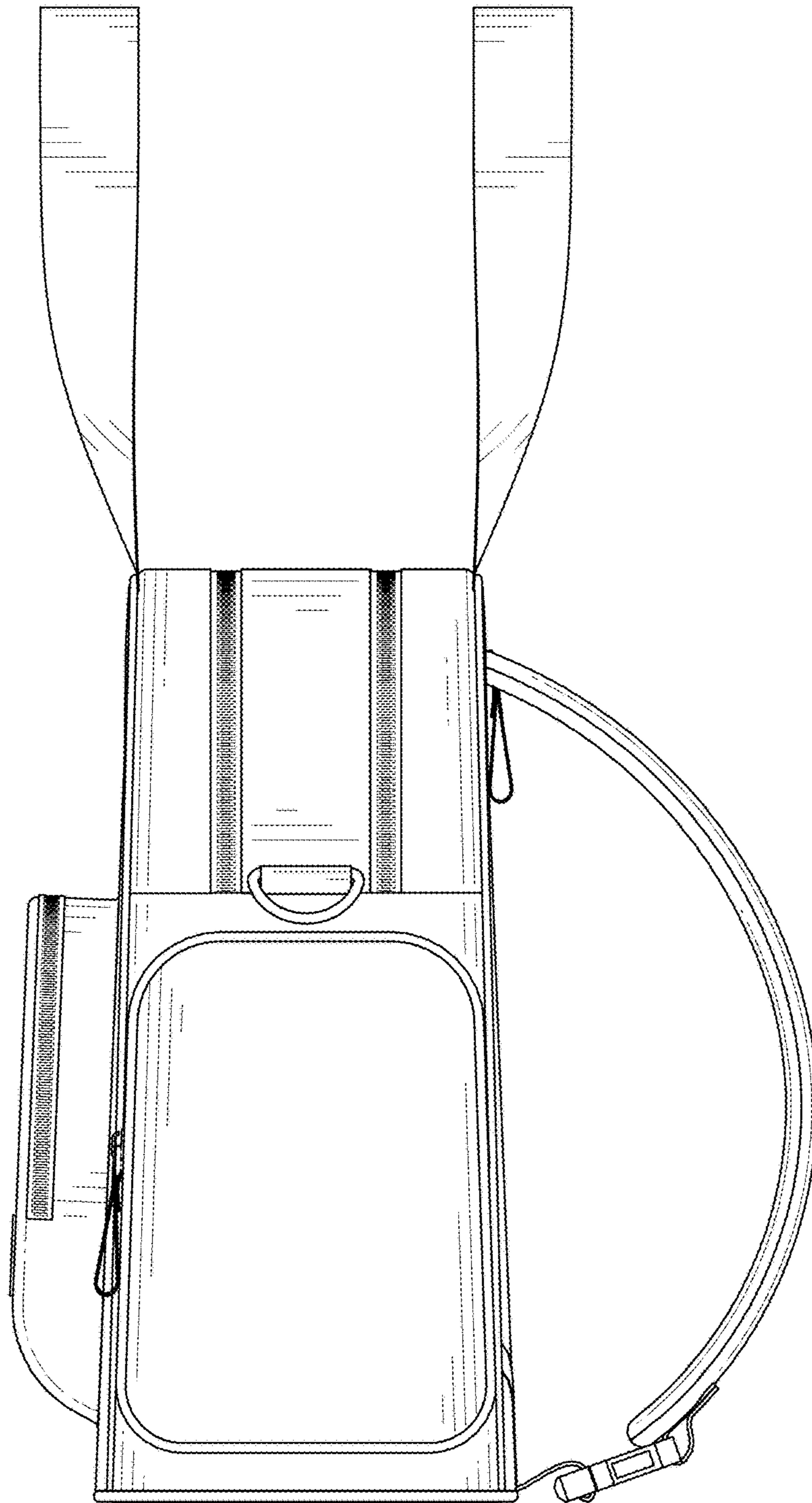


FIG. 7



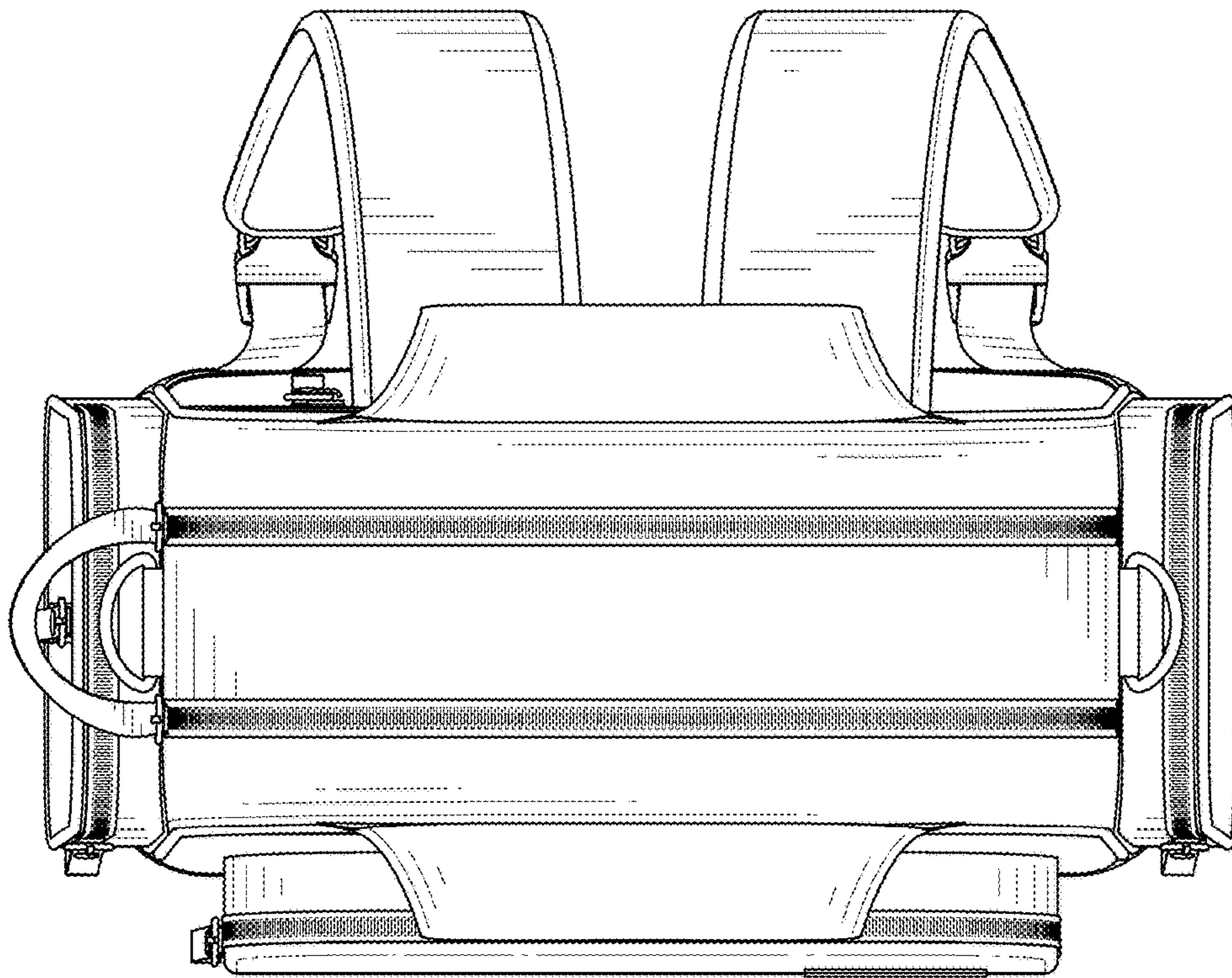


FIG. 8

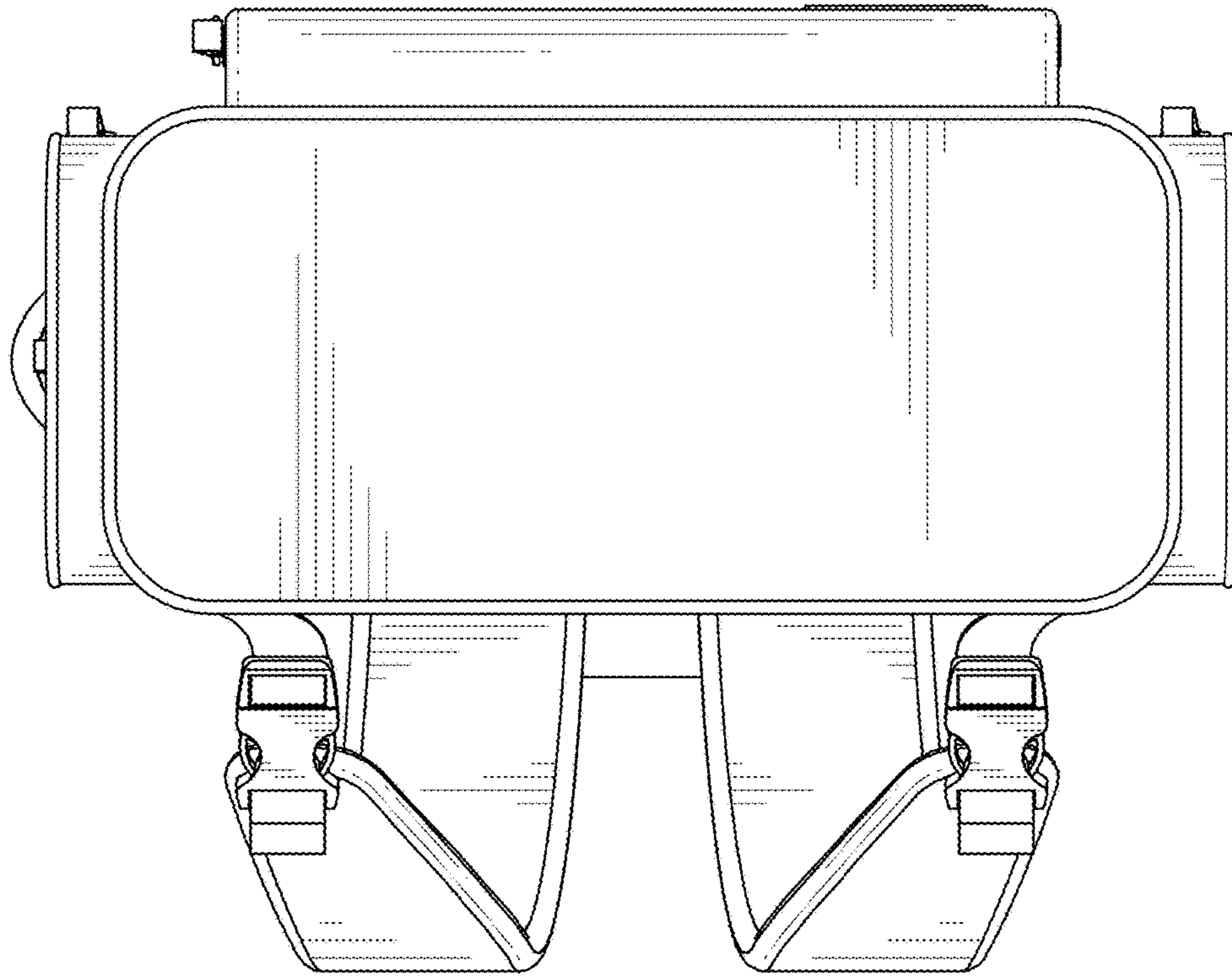


FIG. 9



FIG. 10

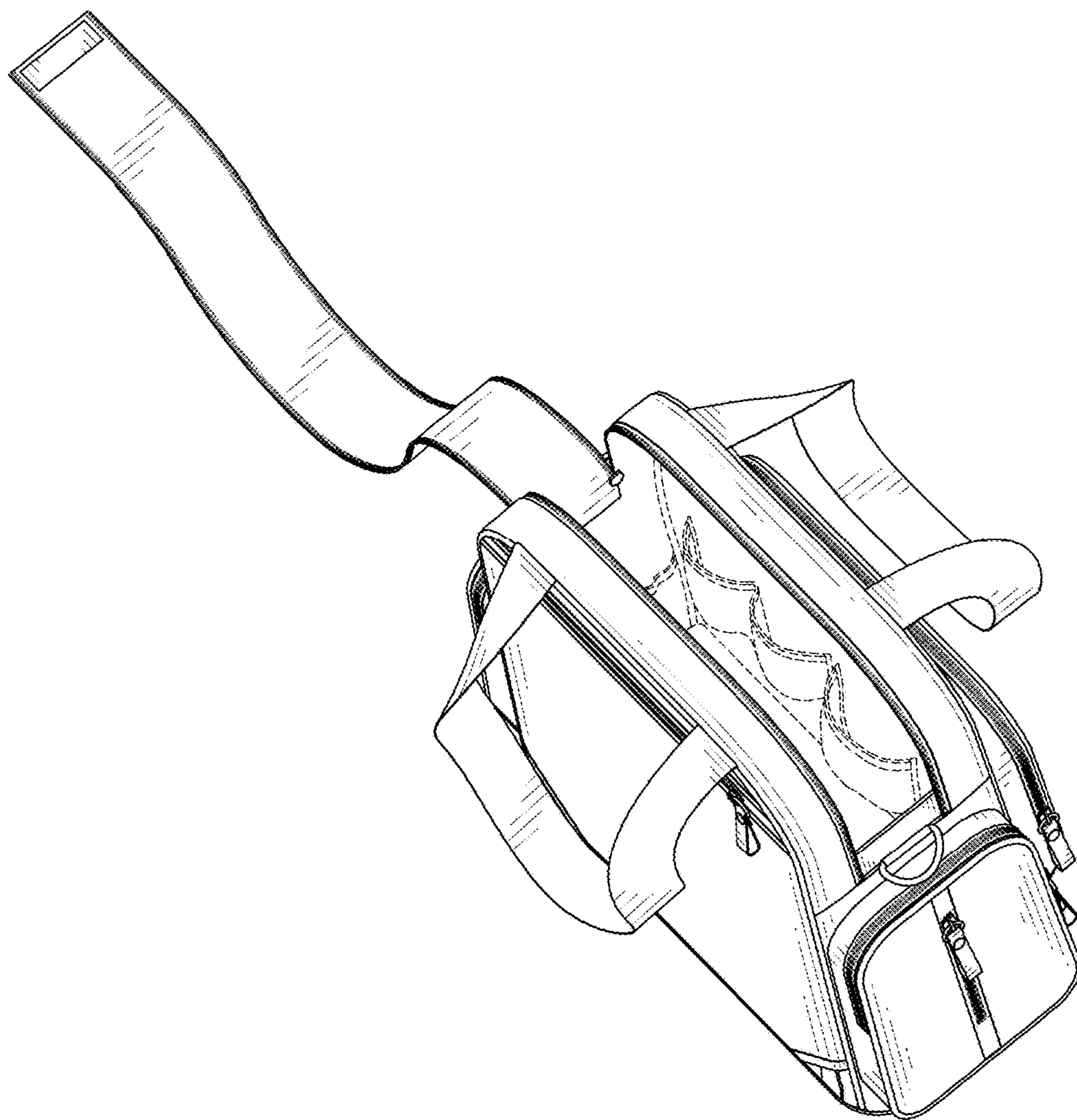


FIG. 11

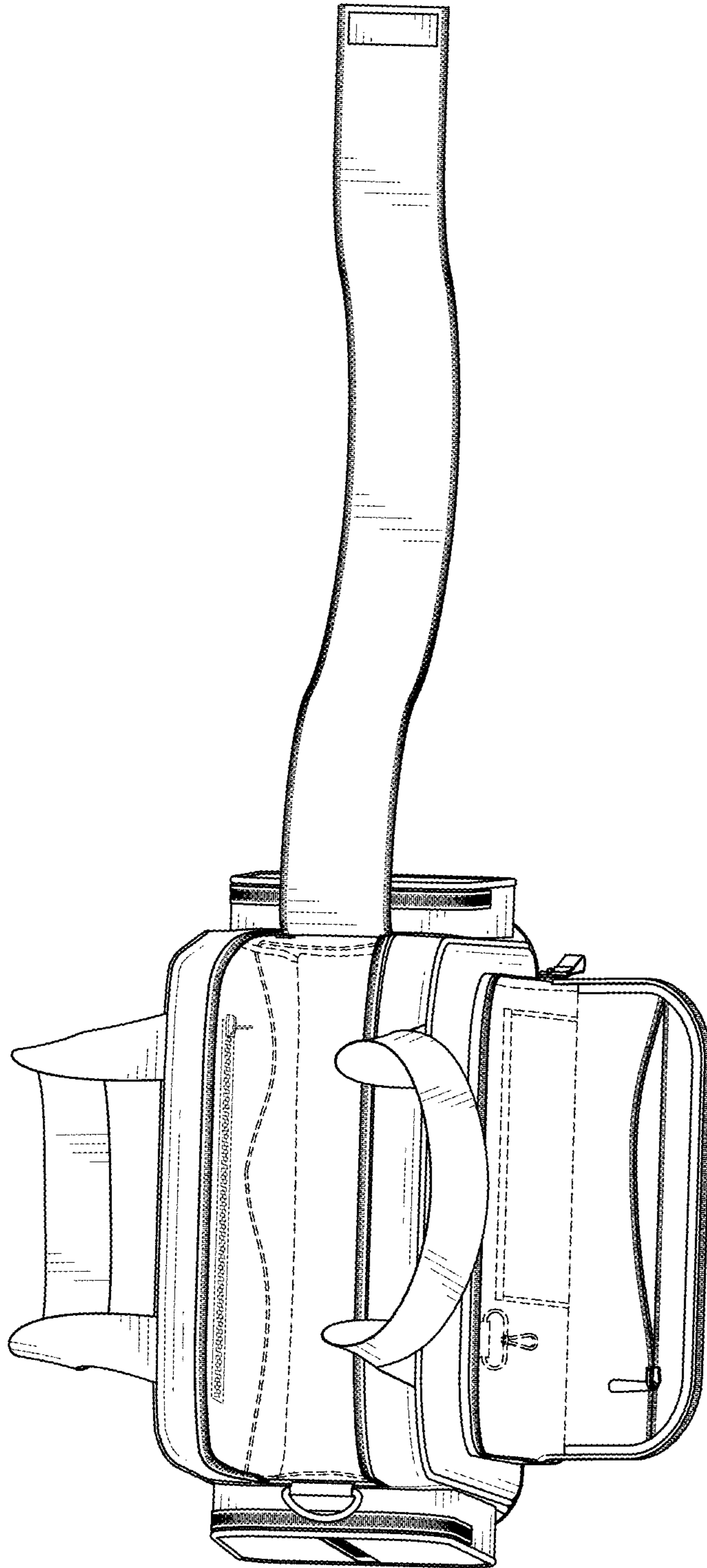


FIG. 12