



US00D819965S

(12) **United States Design Patent** (10) **Patent No.:** **US D819,965 S**  
**Scarmozzino** (45) **Date of Patent:** **\*\* Jun. 12, 2018**

- (54) **SOLAR HANDBAG**
- (71) Applicant: **MY SOLAR LLC**, New York, NY (US)
- (72) Inventor: **LuAnn Scarmozzino**, New York, NY (US)
- (73) Assignee: **MYSOLAR LLC**, New York, NY (US)
- (\*\*) Term: **15 Years**
- (21) Appl. No.: **29/577,917**
- (22) Filed: **Sep. 16, 2016**
- (51) **LOC (11) Cl.** ..... **03-01**
- (52) **U.S. Cl.**  
USPC ..... **D3/232**
- (58) **Field of Classification Search**  
USPC ..... D3/232-233, 240-243, 245-246, 318  
CPC .... A45C 1/024; A45C 3/08; H02J 7/35; H02J 7/32
- See application file for complete search history.

2006/0061546	A1	3/2006	Jong
2006/0157175	A1	7/2006	Pace et al.
2006/0272969	A1	12/2006	Hartstein et al.
2006/0273757	A1	12/2006	Naguib
2007/0222410	A1	9/2007	Lee
2007/0279002	A1	12/2007	Partovi
2008/0011799	A1	1/2008	Chang
2008/0029153	A1	2/2008	Margalit
2008/0078794	A1	4/2008	Fletcher et al.
2008/0157711	A1	7/2008	Chiang et al.
2008/0210728	A1	9/2008	Bihn
2009/0003820	A1	1/2009	Law et al.
2009/0167237	A1	7/2009	Tsai et al.
2009/0224722	A1	9/2009	Causey
2011/0006725	A1	1/2011	Wilson
2011/0012552	A1	1/2011	Margalit
2011/0073225	A1	3/2011	Pace et al.

\* cited by examiner

*Primary Examiner* — Holly H Baynham  
 (74) *Attorney, Agent, or Firm* — Carter, DeLuca, Farrell & Schmidt, LLP

(57) **CLAIM**

The ornamental design for a solar handbag, as shown and described.

**DESCRIPTION**

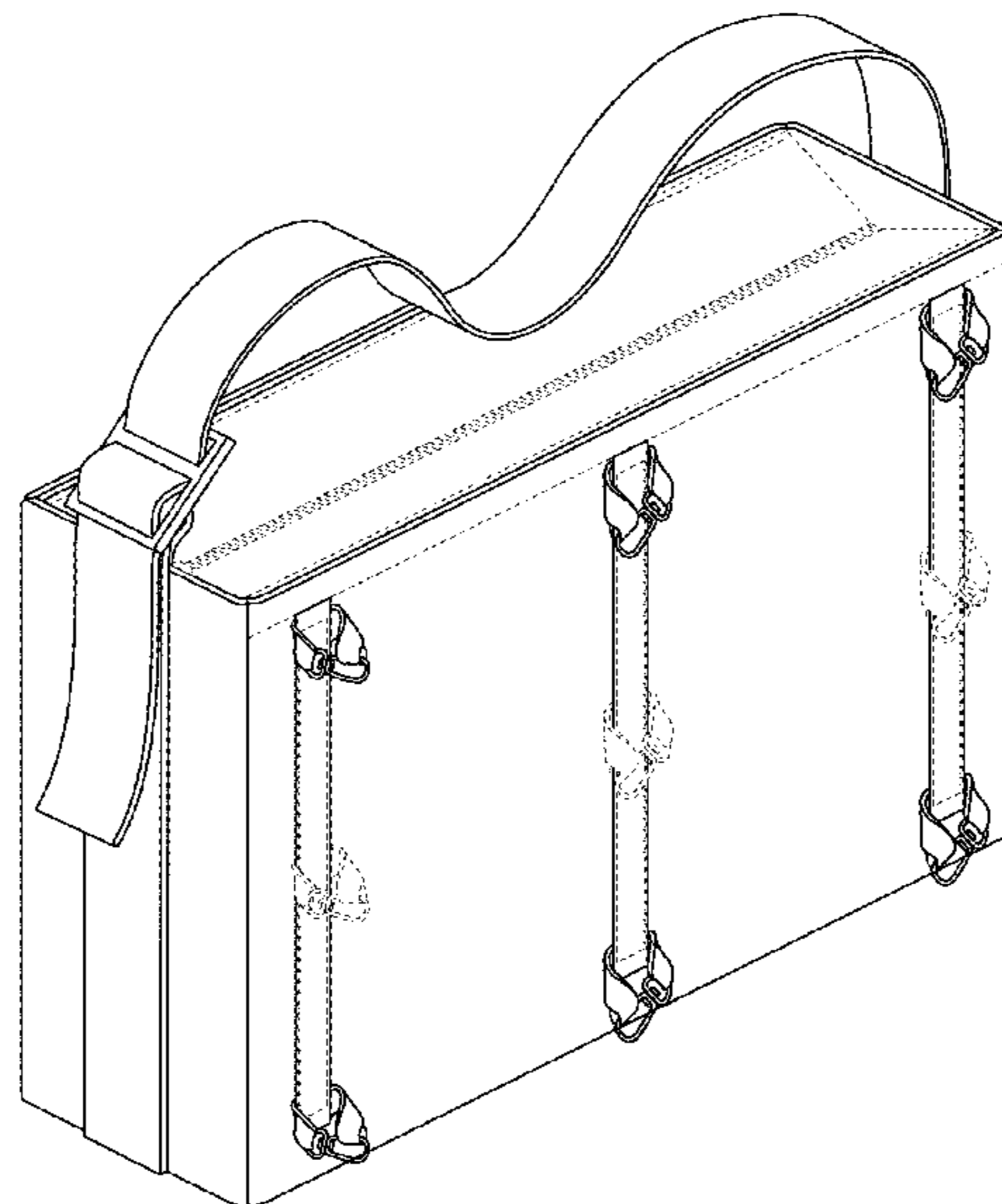
FIG. 1 is a front, perspective view of a solar handbag showing our new design, according to a first embodiment; FIG. 2 is a front side elevation view thereof; FIG. 3 is a back elevation view thereof; FIG. 4 is a left side elevation view thereof; FIG. 5 is a right side elevation view thereof; FIG. 6 is a top elevation view thereof; and, FIG. 7 is a bottom elevation view thereof. The broken lines showing portions of the bag are for the purposes of illustrating environment and forms no part of the claimed design.

**1 Claim, 6 Drawing Sheets**

(56) **References Cited**

U.S. PATENT DOCUMENTS

1,978,971	A	10/1934	Thornhill et al.	
D351,062	S *	10/1994	Shapland	D3/233
5,701,067	A	12/1997	Kaji et al.	
5,842,535	A	12/1998	Dennis	
6,870,089	B1	3/2005	Gray	
D583,558	S *	12/2008	Siegel	D3/242
7,503,583	B2	3/2009	Muller	
7,607,461	B2	10/2009	Pace et al.	
7,808,213	B2	10/2010	Tsai et al.	
8,760,108	B2	6/2014	Scarmozzino	
2002/0100836	A1	8/2002	Hunt	
2004/0011840	A1	1/2004	Lovett	
2005/0135083	A1	6/2005	Tait	
2005/0140331	A1	6/2005	McQuade	
2005/0162121	A1	7/2005	Chan	



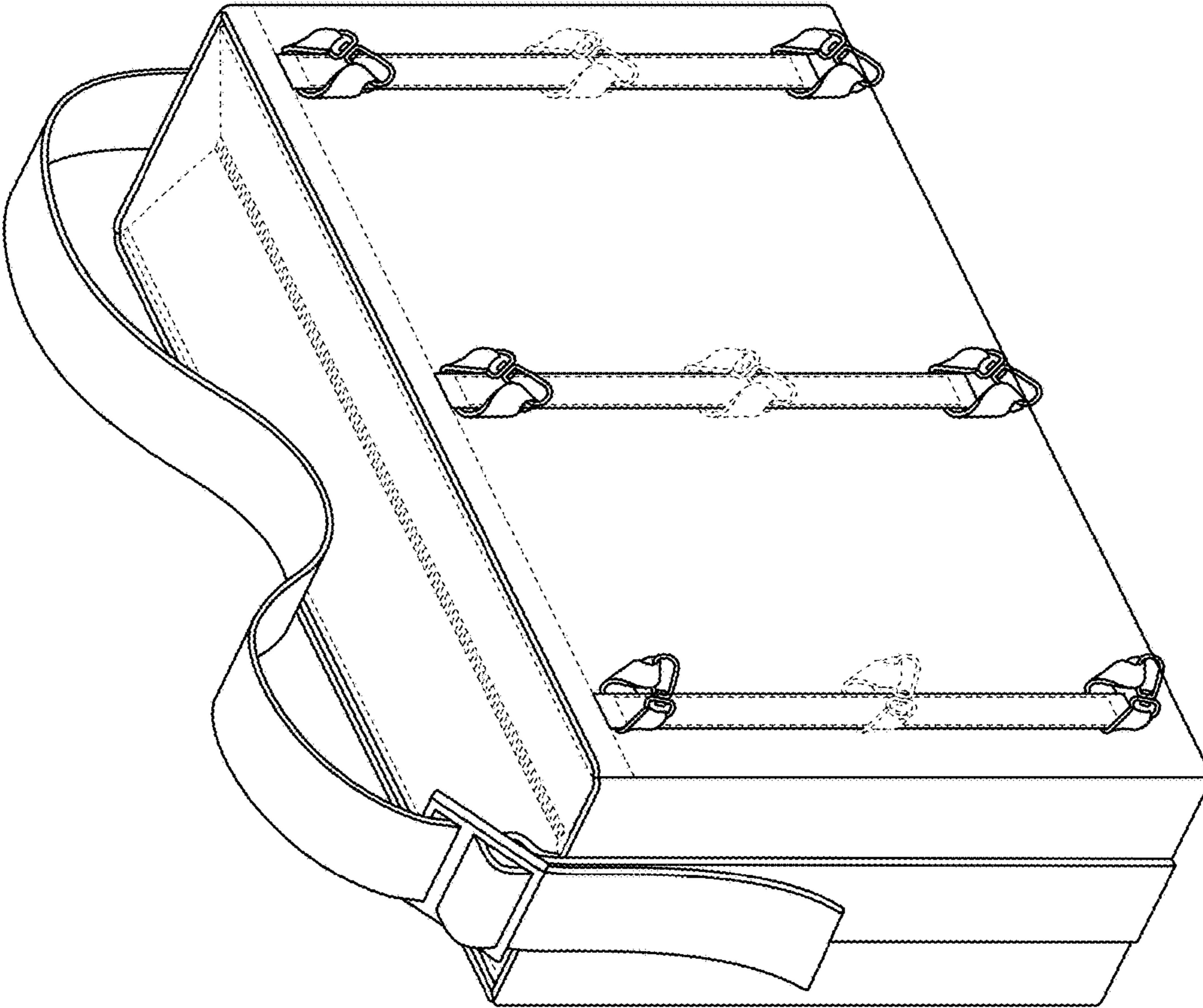


FIG. 1

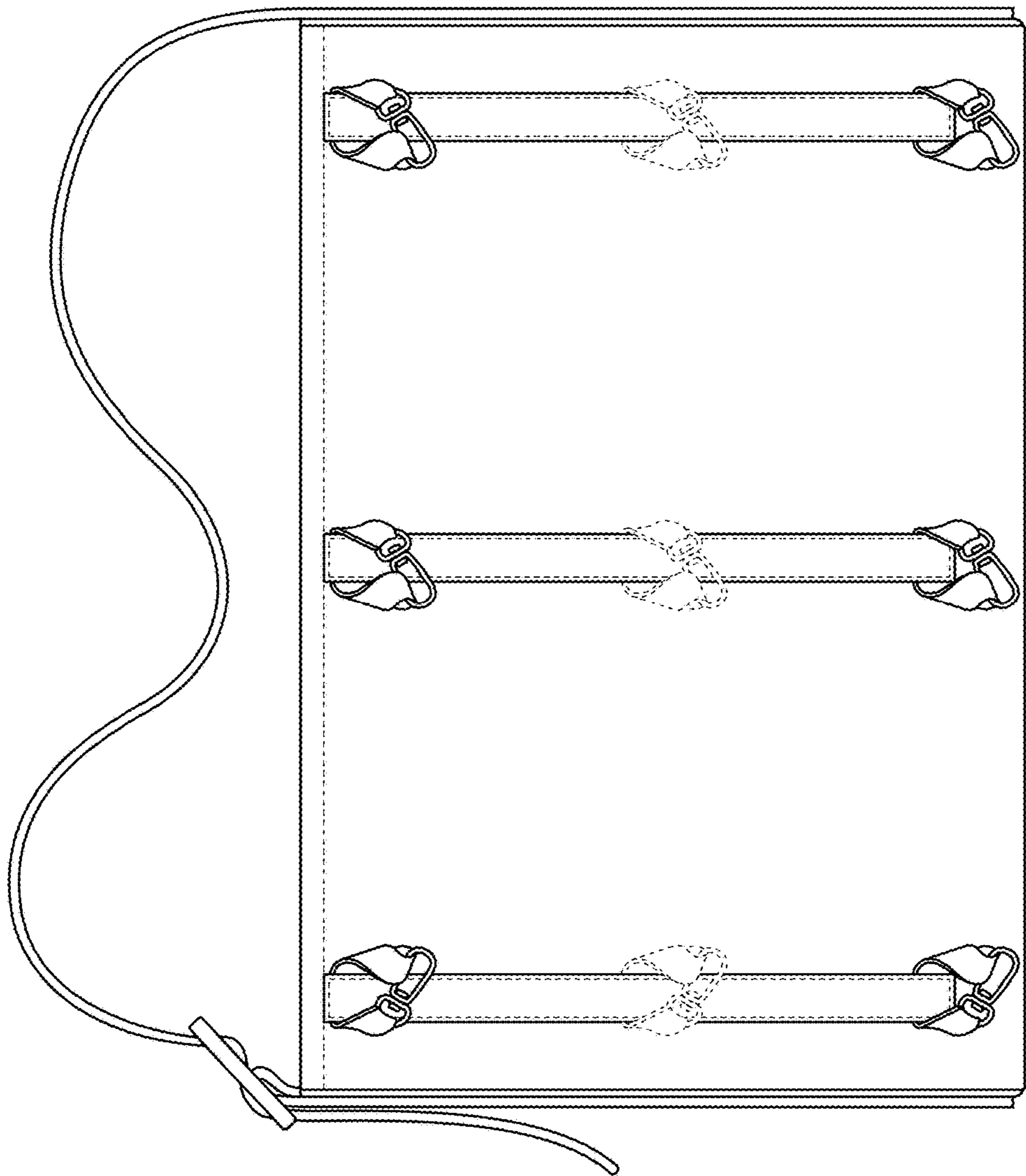


FIG. 2

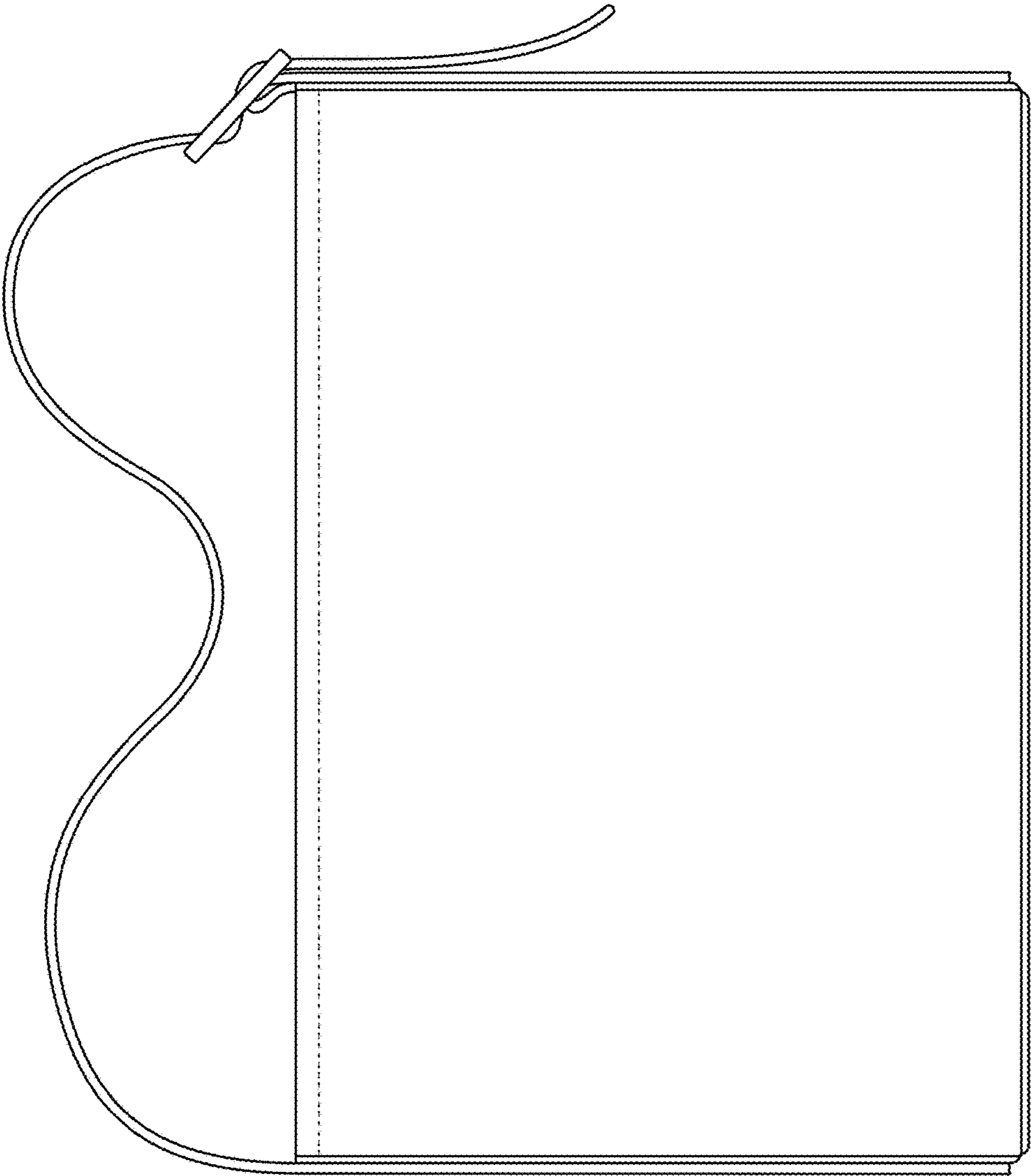


FIG. 3

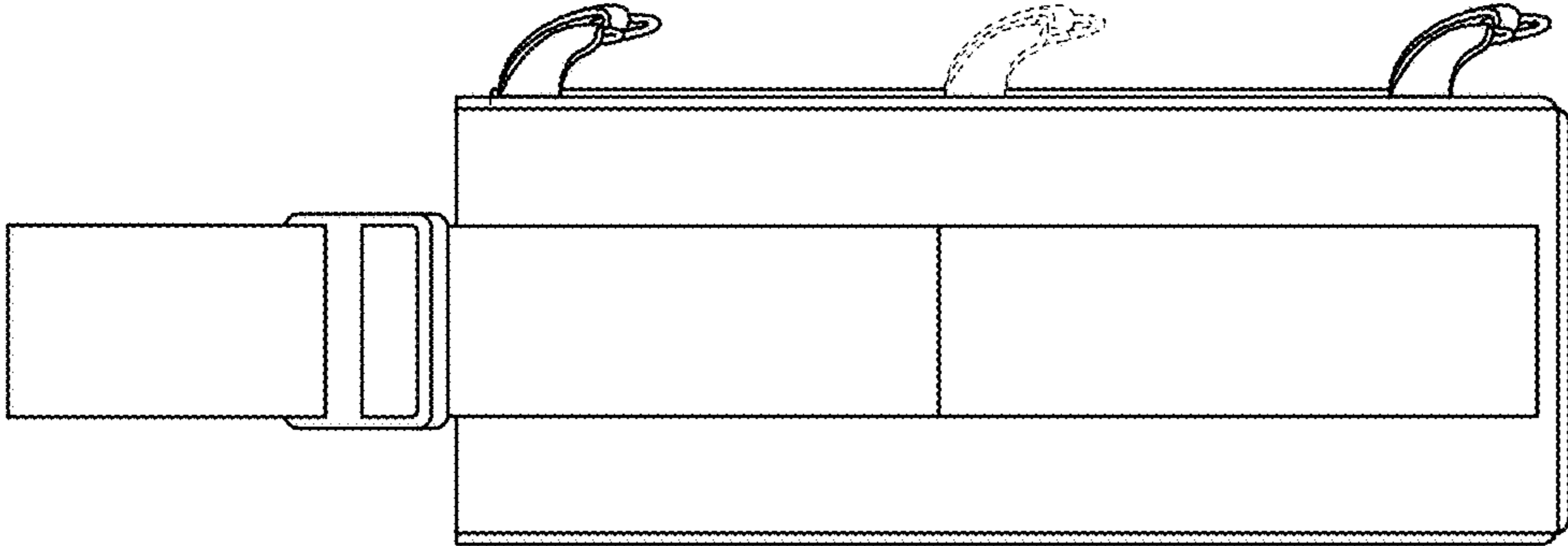


FIG. 5

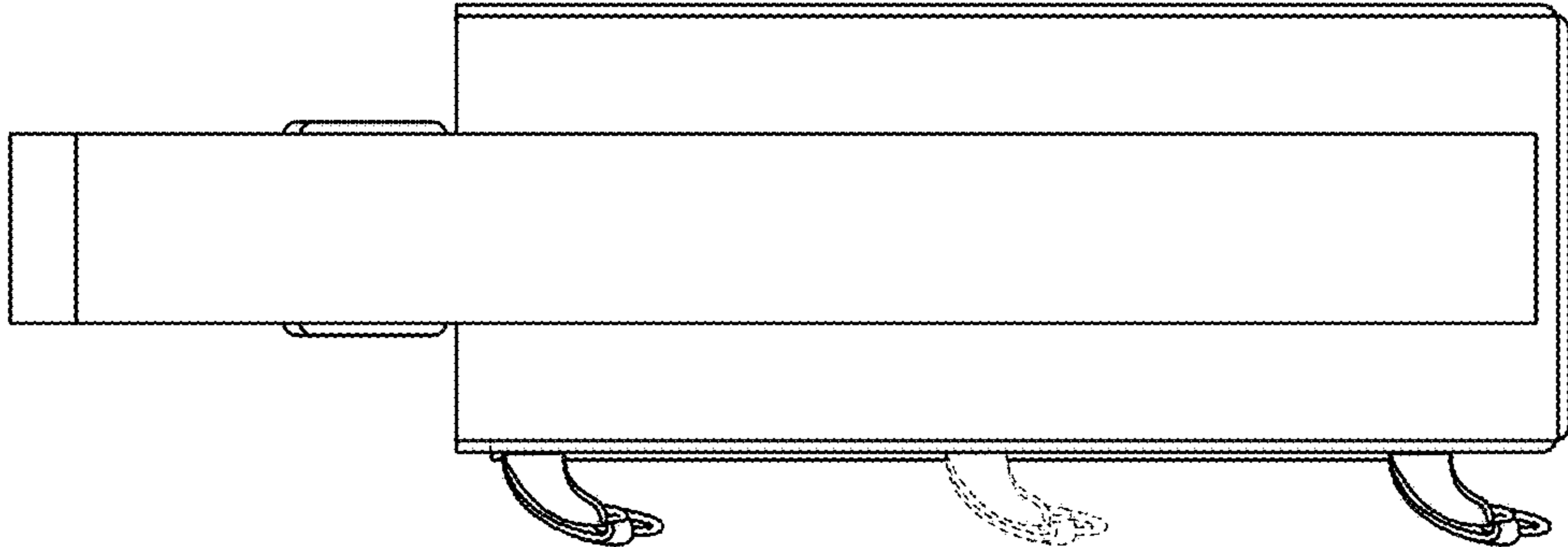


FIG. 4

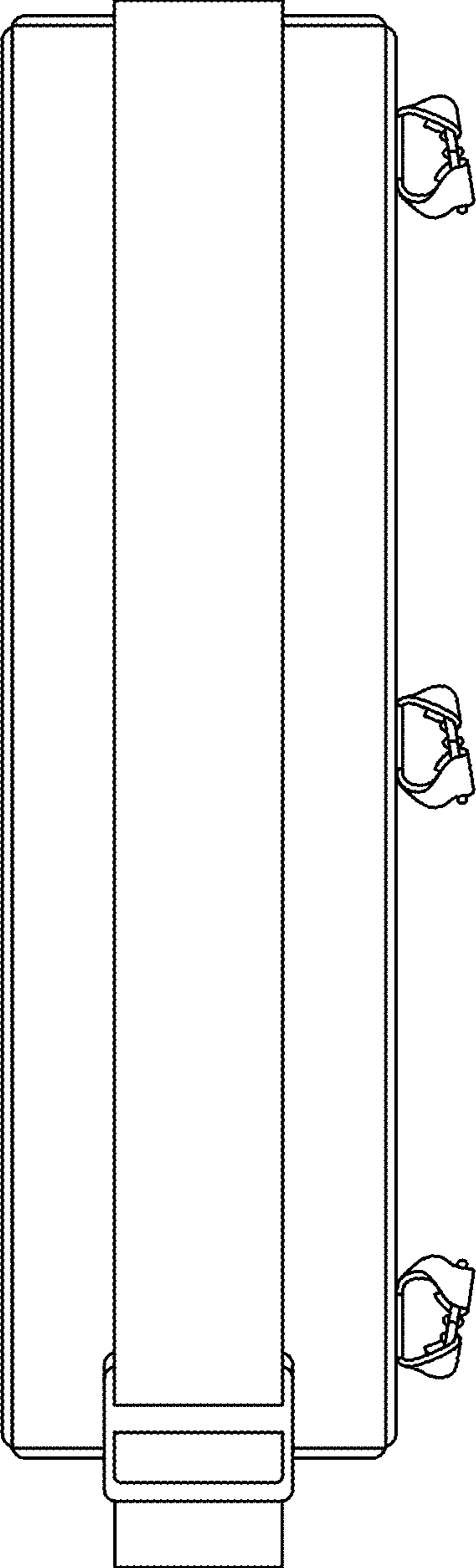


FIG. 6

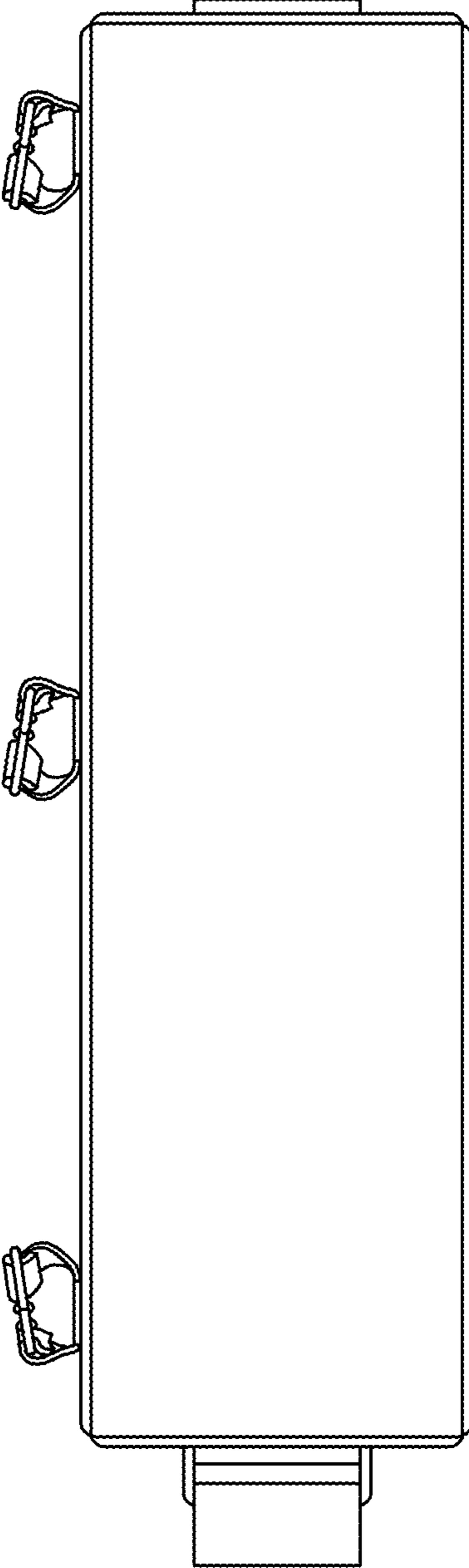


FIG. 7