



US00D819964S

(12) **United States Design Patent**
Moreau et al.

(10) **Patent No.:** **US D819,964 S**
(45) **Date of Patent:** **** Jun. 12, 2018**

(54) **TOOL HOLDER WITH BRACKET**

(71) Applicant: **TY-FLOT, INC.**, Manchester, NH (US)

(72) Inventors: **Darrell A. Moreau**, Manchester, NH (US); **Andre W. Moreau**, Bedford, NH (US)

(73) Assignee: **Ty-Flot, Inc.**, Manchester, NH (US)

(**) Term: **15 Years**

(21) Appl. No.: **29/576,491**

(22) Filed: **Sep. 2, 2016**

(51) **LOC (11) Cl.** **03-01**

(52) **U.S. Cl.**

USPC **D3/228**

(58) **Field of Classification Search**

USPC D3/228, 215, 224, 303, 310, 315, 318, D3/321, 905; 206/372-379; 224/162, 224/232, 240, 243, 245, 251, 576-577, 224/660, 668, 674, 676-678, 682, 684, 224/904, 247

CPC A45F 3/04; A45F 3/005; A45F 5/00; A45F 3/14; A45F 5/021; A45F 5/02; A45F 2200/05; A45F 2200/0575; B65D 85/28; A65C 5/14; A65C 13/26

See application file for complete search history.

(56) **References Cited**

U.S. PATENT DOCUMENTS

1,387,189 A * 8/1921 Sharkey G01R 19/145 324/555
D271,253 S * 11/1983 Abatie 224/673
D333,040 S * 2/1993 Dancyger D3/228
D333,215 S * 2/1993 Brown D3/228
D348,777 S * 7/1994 Dancyger D3/228
D350,229 S * 9/1994 Dancyger D3/228
D378,633 S * 4/1997 Granito D3/228
D381,804 S * 8/1997 Dancyger D3/228
D410,773 S * 6/1999 Case D3/228
D423,773 S * 5/2000 Dancyger D3/228

D428,250 S * 7/2000 Reichardt D3/228
D431,104 S * 9/2000 Dancyger D3/228
D461,308 S * 8/2002 Snider D3/228
D463,664 S * 10/2002 Borsuk D3/299

(Continued)

FOREIGN PATENT DOCUMENTS

JP 10219507 A 8/1998

OTHER PUBLICATIONS

Retractable Tool Pockets, Ty-Flot.com, [online], [site visited Sep. 28, 2017]. <URL: <https://www.ty-flot.com/products/drop-prevention/anti-drop-storage/tool-pockets/retractable-tool-pockets-patent-pending.html>> (Year: 2017).*

(Continued)

Primary Examiner — T. Chase Nelson

Assistant Examiner — Jonathan J Han

(74) *Attorney, Agent, or Firm* — Mesmer & Deleault, PLLC

(57) **CLAIM**

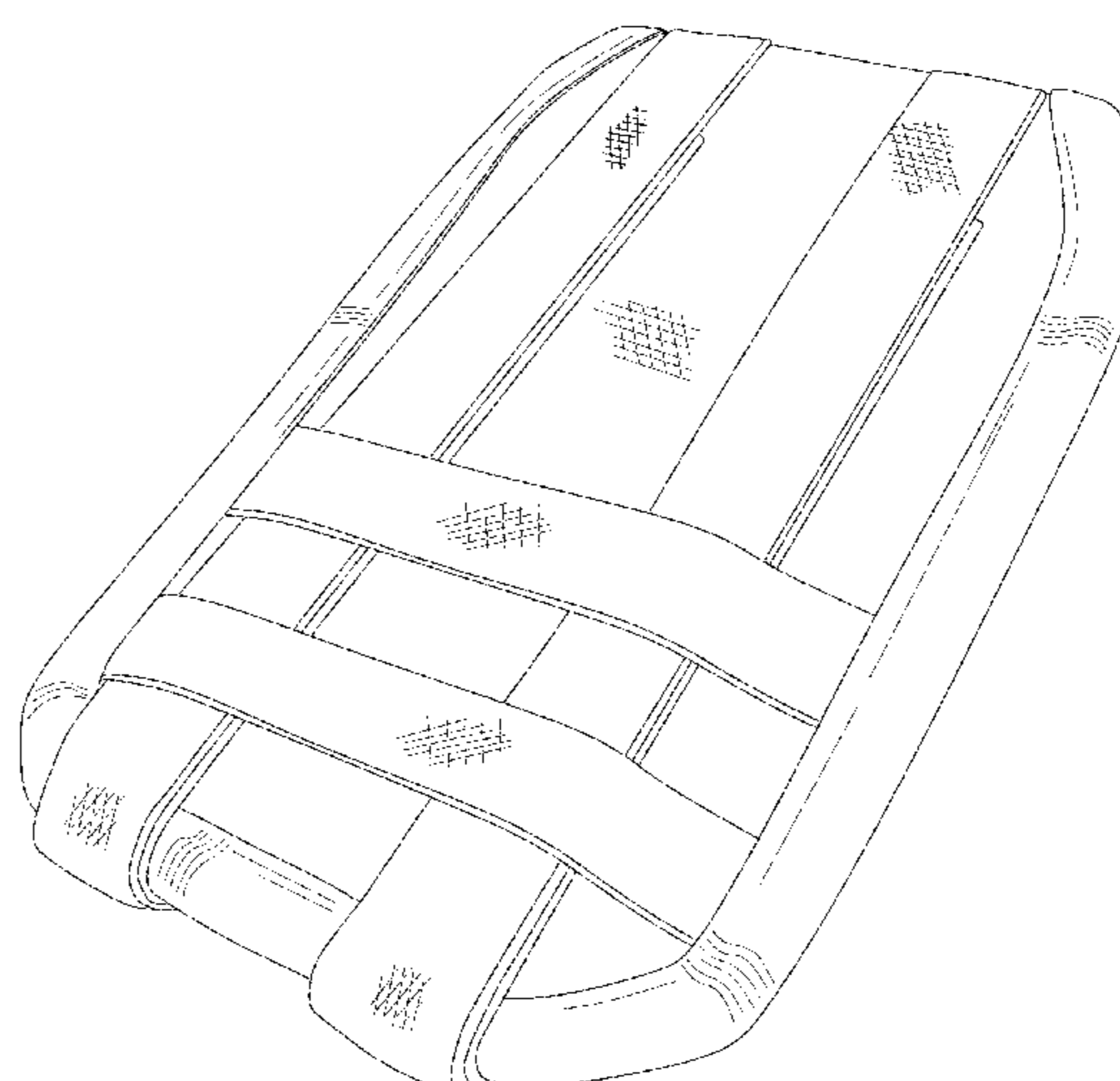
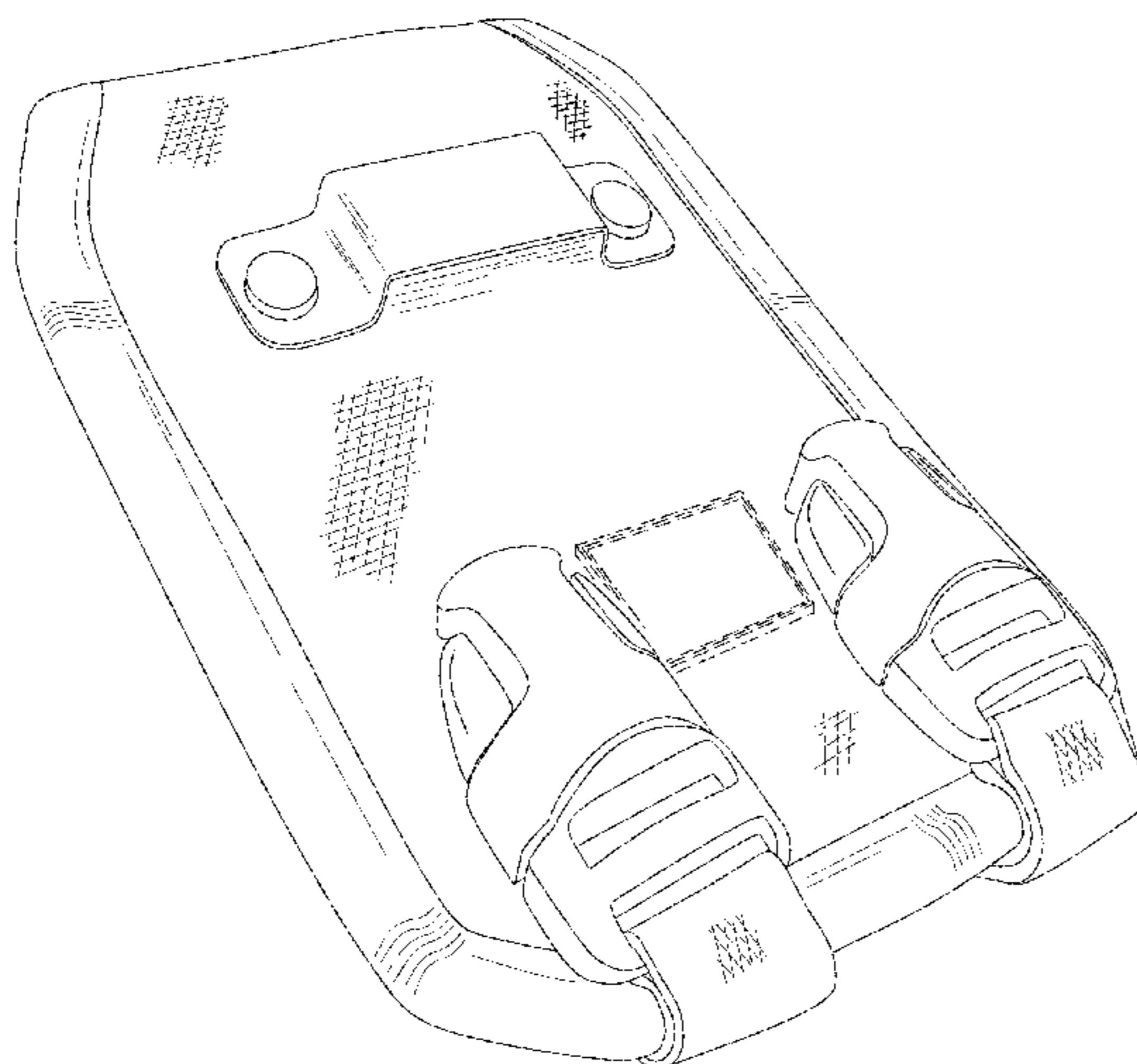
The ornamental design for a tool holder with bracket, as shown and described.

DESCRIPTION

FIG. 1 is a front and left-side perspective view of a tool holder with bracket showing our new design; FIG. 2 is a rear and left-side perspective view of thereof; FIG. 3 is a front elevational view thereof; FIG. 4 is a rear elevational view thereof; FIG. 5 is a left-side elevational view thereof; FIG. 6 is a right-side elevational view thereof; FIG. 7 is a top-end view thereof; and, FIG. 8 is a bottom-end view thereof.

The broken lines in the drawings are used to illustrate unclaimed portions of the tool holder with bracket and form no part of the claimed design.

1 Claim, 6 Drawing Sheets



(56)

References Cited

U.S. PATENT DOCUMENTS

D481,535 S * 11/2003 Cabrera D3/228
 D482,524 S * 11/2003 Cabrera D3/228
 7,020,897 B2 4/2006 Johnson
 D572,467 S * 7/2008 Reichardt D3/228
 D650,733 S * 12/2011 Cooney D12/416
 D676,234 S * 2/2013 Moreau D3/228
 D692,231 S * 10/2013 Moreau A45F 5/02
 D704,435 S * 5/2014 Moreau D3/228
 D707,962 S * 7/2014 Moreau D3/228
 D718,535 S * 12/2014 Kinskey D3/228
 9,232,850 B2 * 1/2016 Moreau A45F 5/02
 D771,937 S * 11/2016 Kinskey D3/228
 D771,938 S * 11/2016 Kinskey D3/228
 D774,298 S * 12/2016 Mathews, Jr. D3/228
 D779,194 S * 2/2017 Kinskey D3/228
 D779,195 S * 2/2017 Kinskey D3/228
 D779,818 S * 2/2017 Kinskey D3/228
 D780,440 S * 3/2017 Mathews, Jr. D3/228
 D780,524 S * 3/2017 Jacobsen D7/607
 D787,182 S * 5/2017 Moreau D3/293
 2002/0170933 A1 * 11/2002 Martin A45F 3/04
 2004/0020959 A1 * 2/2004 Sellars A45F 5/00
 2004/0144815 A1 7/2004 Reid
 2004/0217029 A1 * 11/2004 Ho A45F 5/00
 206/370

2005/0236454 A1 * 10/2005 Godshaw F41C 33/0227
 224/677
 2005/0284909 A1 * 12/2005 Munoz A45C 1/04
 224/674
 2008/0185414 A1 * 8/2008 Conlon A45F 5/02
 224/674
 2013/0026200 A1 * 1/2013 Kinskey A45F 3/02
 224/251
 2015/0021372 A1 * 1/2015 Moreau A45F 5/02
 224/677
 2015/0237992 A1 * 8/2015 Kinskey A45F 3/005
 224/681

OTHER PUBLICATIONS

SetWear Tool Pouch (7.5"Hx6.5"W)-Black, Amazon.com, [online], [site visited Sep. 28, 2017]. <URL: <https://www.amazon.com/SetWear-SETWSW05513-Setwear-Tool-Pouch/dp/B003YK040E>> (Year: 2017).*

Tradesman Pro 6 Pocket Tool Pouch, KleinTools.com, [online], [site visited Sep. 28, 2017]. <URL: <http://www.kleintools.com/catalog/tradesman-pro-organizers/tradesman-pro-6-pocket-tool-pouch>> (Year: 2017).*

Tool Pouch, Brown/Green, 2 pockets, 6½"W, Zoro.com, [online], [site visited Sep. 28, 2017]. <URL: <https://www.zoro.com/bucket-boss-tool-pouch-browngreen-2-pockets-6-12w-54175/i/G6121608/>> (Year: 2017).*

* cited by examiner

FIGURE 1

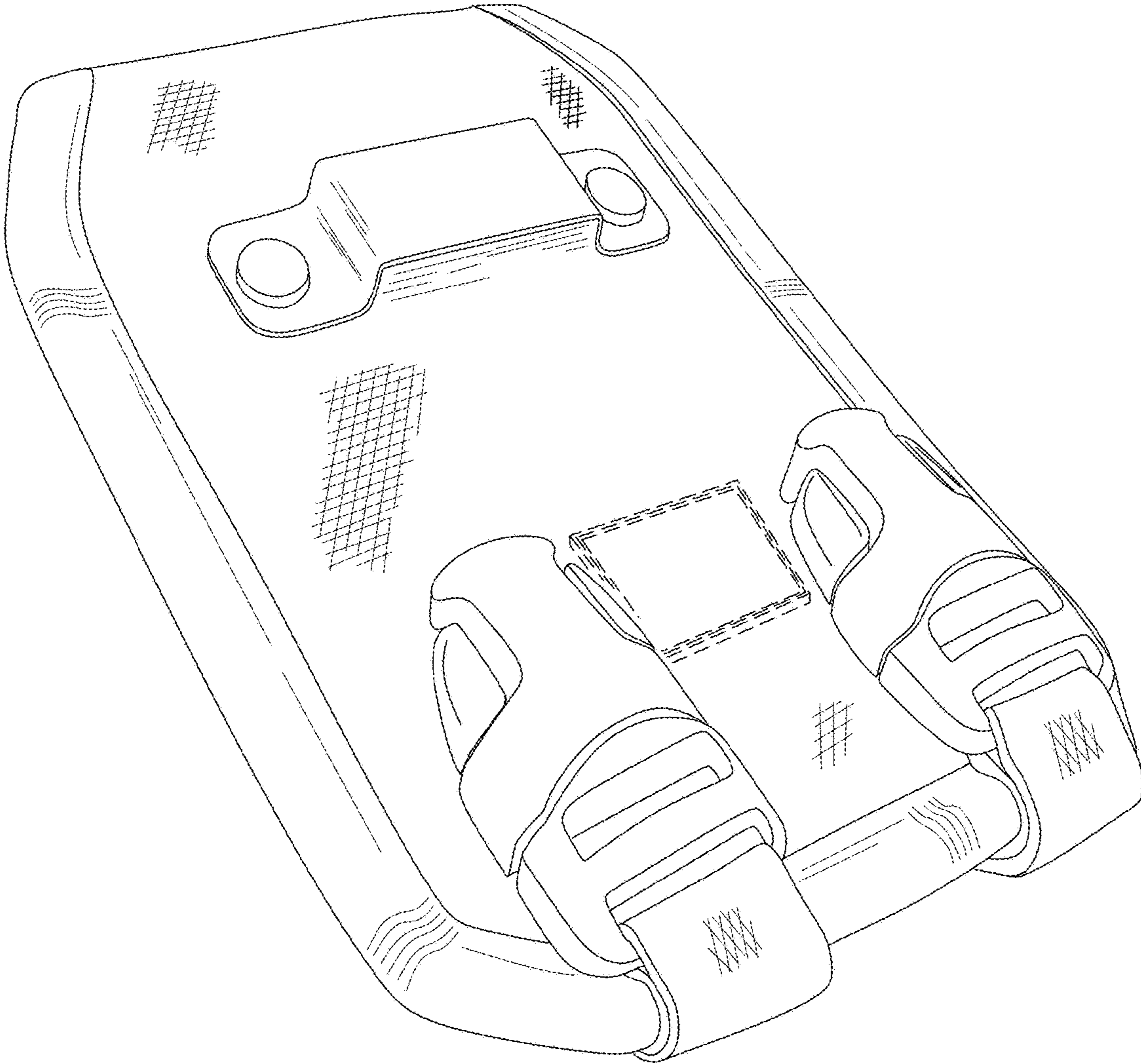


FIGURE 2

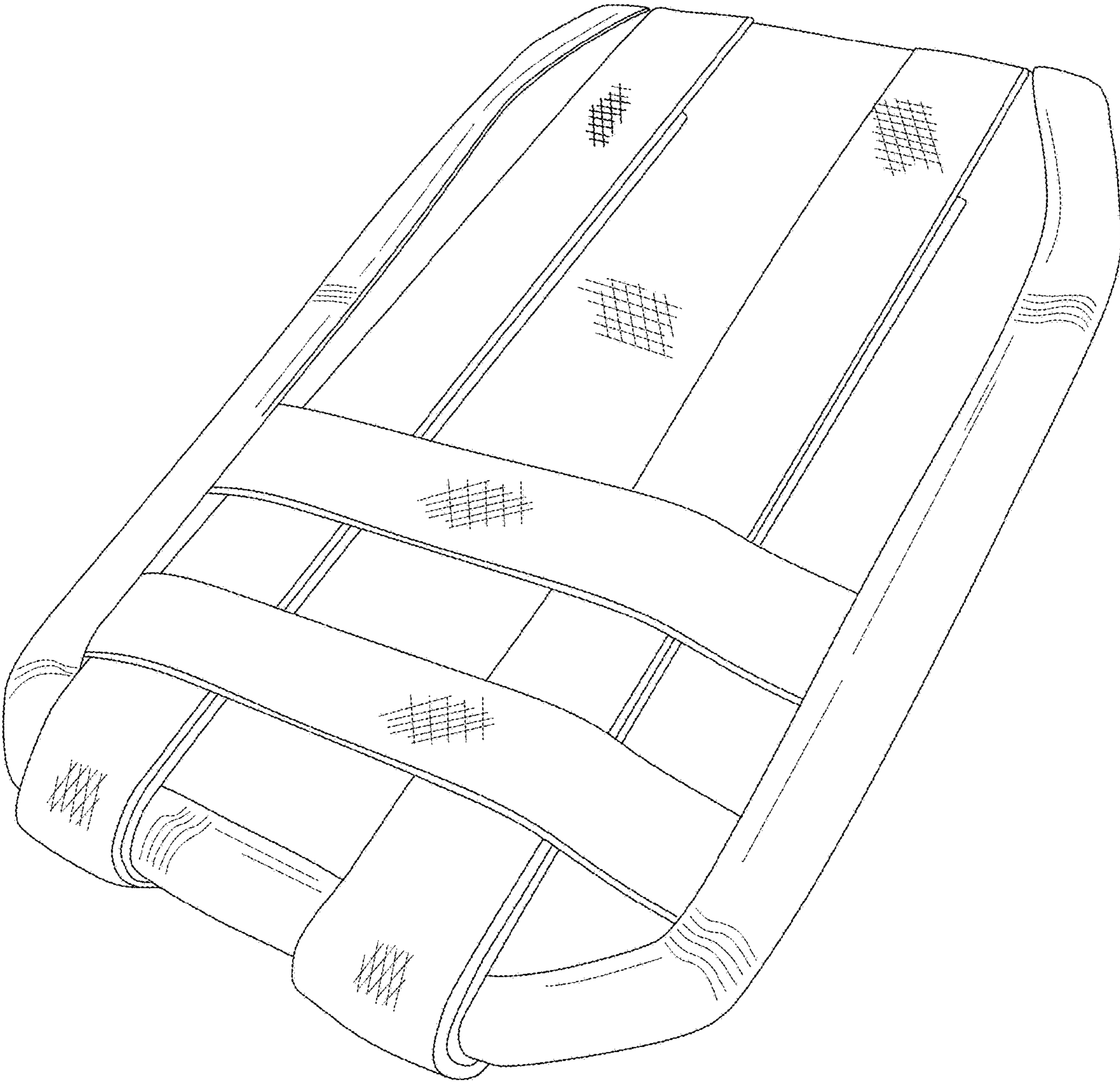


FIGURE 3

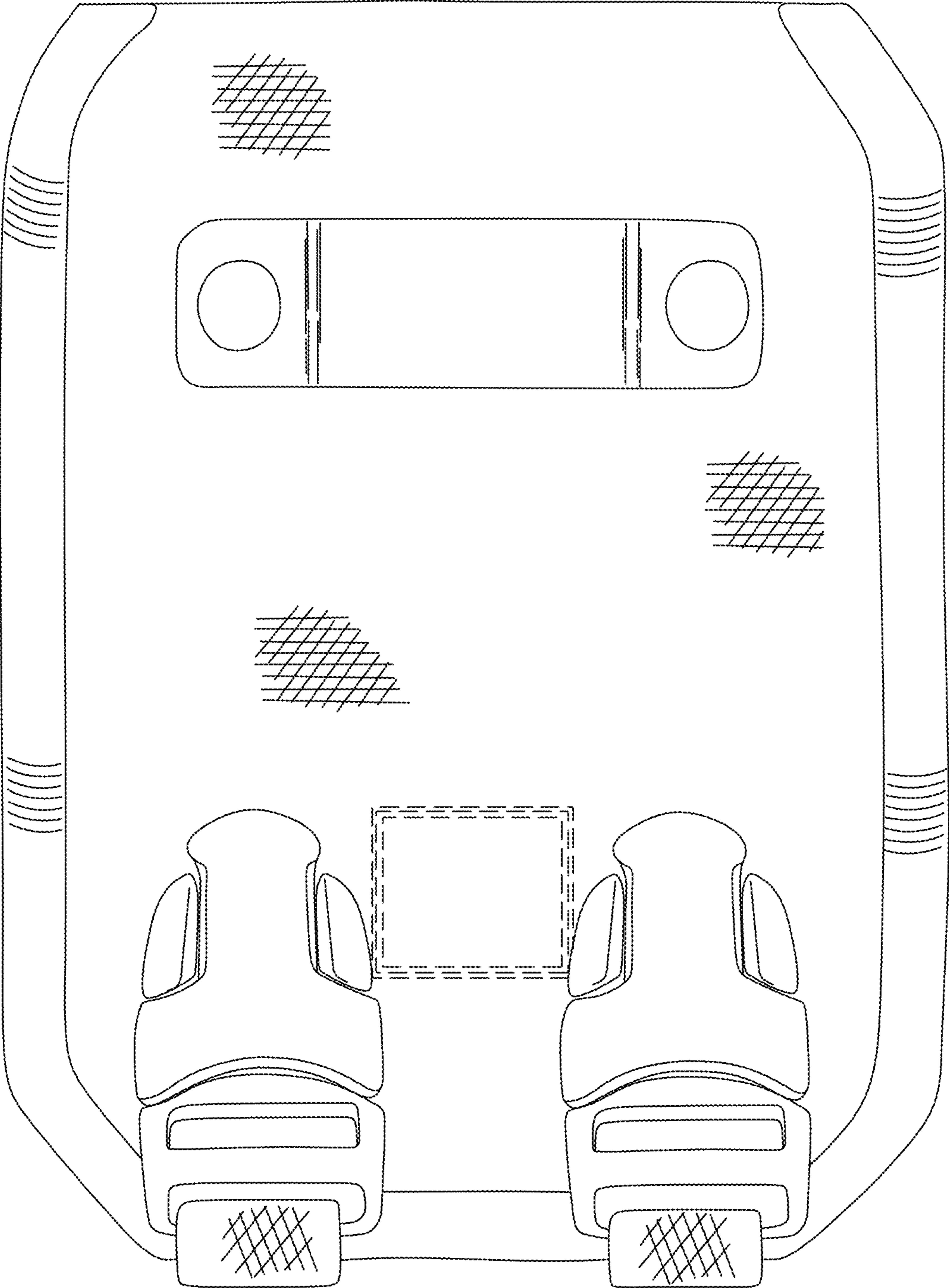


FIGURE 4

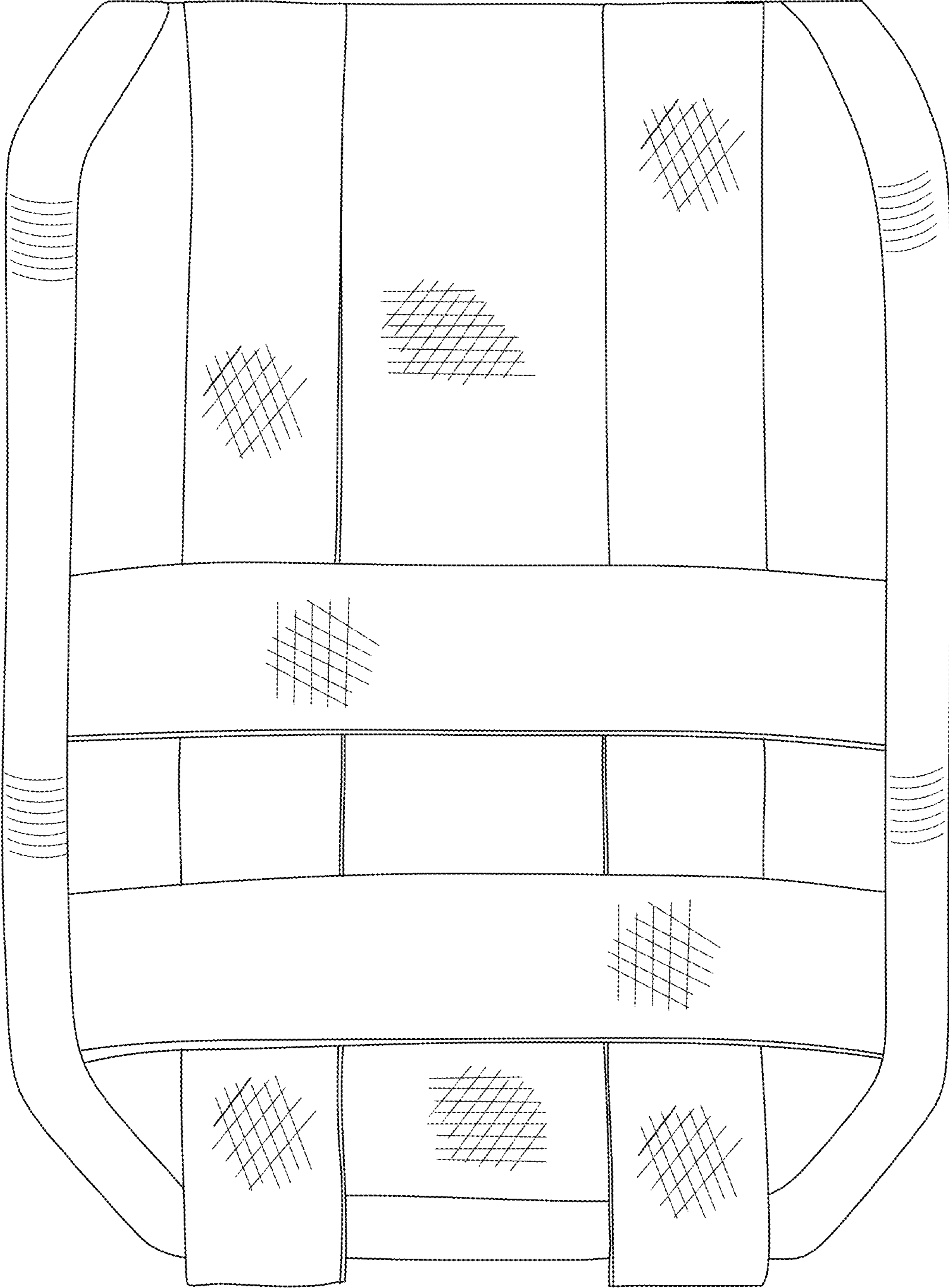


FIGURE 5

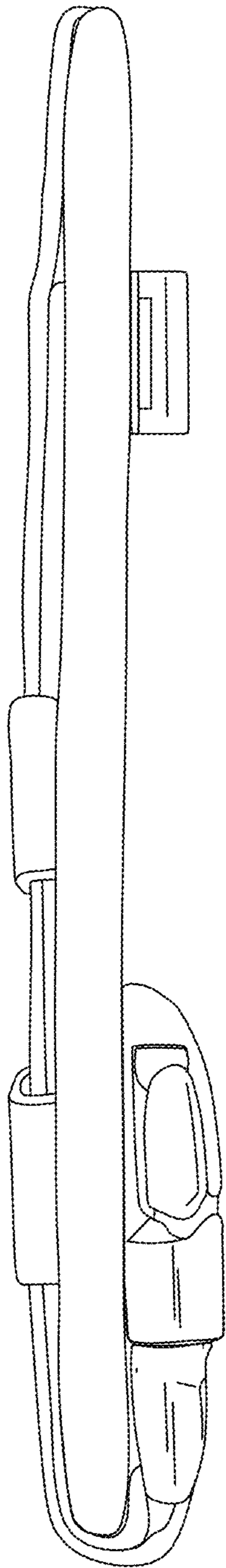


FIGURE 6

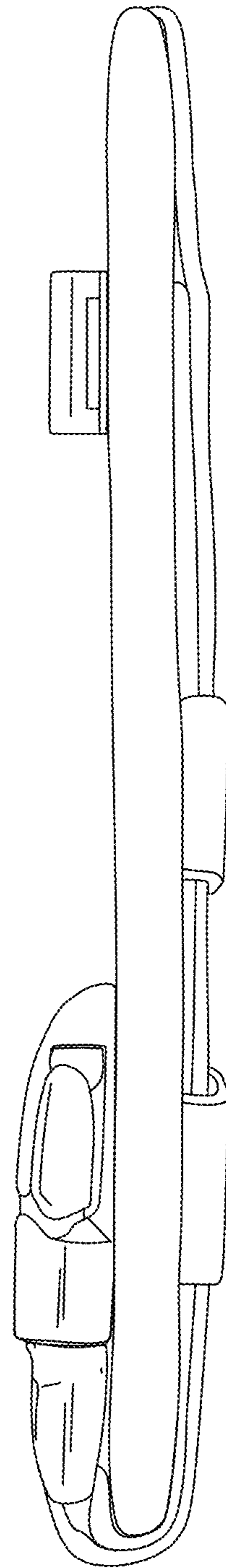


FIGURE 7

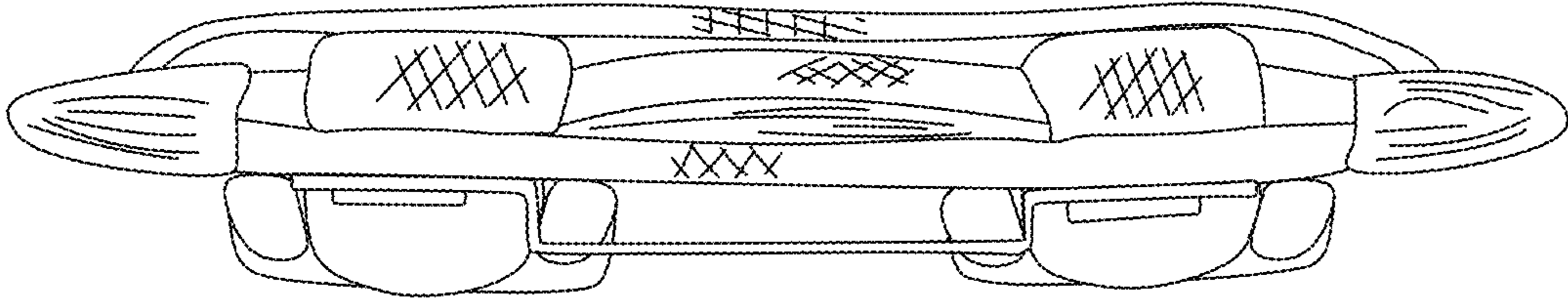


FIGURE 8

