



US00D819960S

(12) **United States Design Patent**
Zhang

(10) **Patent No.:** **US D819,960 S**

(45) **Date of Patent:** **** Jun. 12, 2018**

(54) **CELL PHONE POUCH**

(71) Applicant: **Yu Long Zhang**, Commack, NY (US)

(72) Inventor: **Yu Long Zhang**, Commack, NY (US)

(**) Term: **15 Years**

(21) Appl. No.: **29/602,966**

(22) Filed: **May 5, 2017**

(51) **LOC (11) Cl.** **03-01**

(52) **U.S. Cl.**
USPC **D3/218**

(58) **Field of Classification Search**

USPC D3/218-219, 215, 201, 224, 226, 228,
D3/269, 299, 301, 303; 224/578, 674,
224/676-683, 901, 904, 240, 930, 600,
224/605, 625; D14/253, 248, 250-251;
206/305, 320, 45.24; 379/455;
455/575.1-575.8

CPC A45F 5/00; A45F 5/02; A45F 5/021; A45F
2200/05; A45F 2200/0508; A45F
2200/0516; A45F 2200/0525; A45F 3/02;
A45F 3/14

See application file for complete search history.

(56) **References Cited**

U.S. PATENT DOCUMENTS

D435,963 S * 1/2001 Fulmore D3/218
D461,306 S * 8/2002 Johnson D3/218

D495,872 S * 9/2004 Patton D3/218
D549,958 S * 9/2007 Boyd D3/218
D550,954 S * 9/2007 Boyd D3/218
D740,548 S * 10/2015 Hassler D3/218
D793,077 S * 8/2017 Zhang D3/218

* cited by examiner

Primary Examiner — Catherine R Oliver-Garcia

(74) *Attorney, Agent, or Firm* — Lambert & Associates;
Gary E. Lambert; David J. Connaughton, Jr.

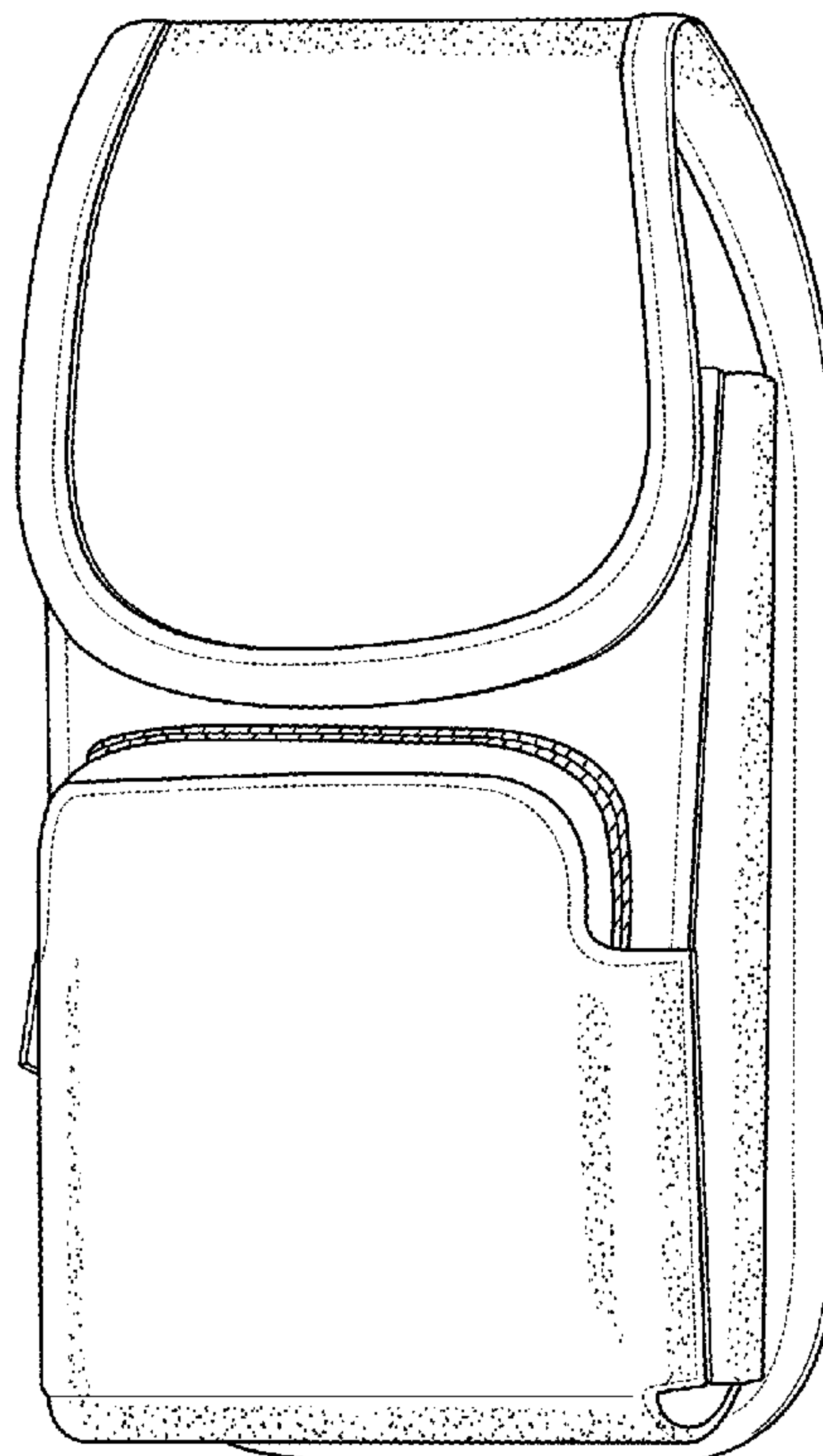
(57) **CLAIM**

The ornamental design for a cell phone pouch, as shown and described.

DESCRIPTION

FIG. 1 is a front perspective view of the cell phone pouch, which embodies my design;
FIG. 2 is a rear perspective view thereof;
FIG. 3 is a front elevation view thereof;
FIG. 4 is a rear elevation view thereof;
FIG. 5 is a left side view thereof;
FIG. 6 is a right side view thereof;
FIG. 7 is a top plan view thereof;
FIG. 8 is a bottom plan view thereof; and,
FIG. 9 is a front perspective view of the cell phone pouch in an open position.

1 Claim, 5 Drawing Sheets



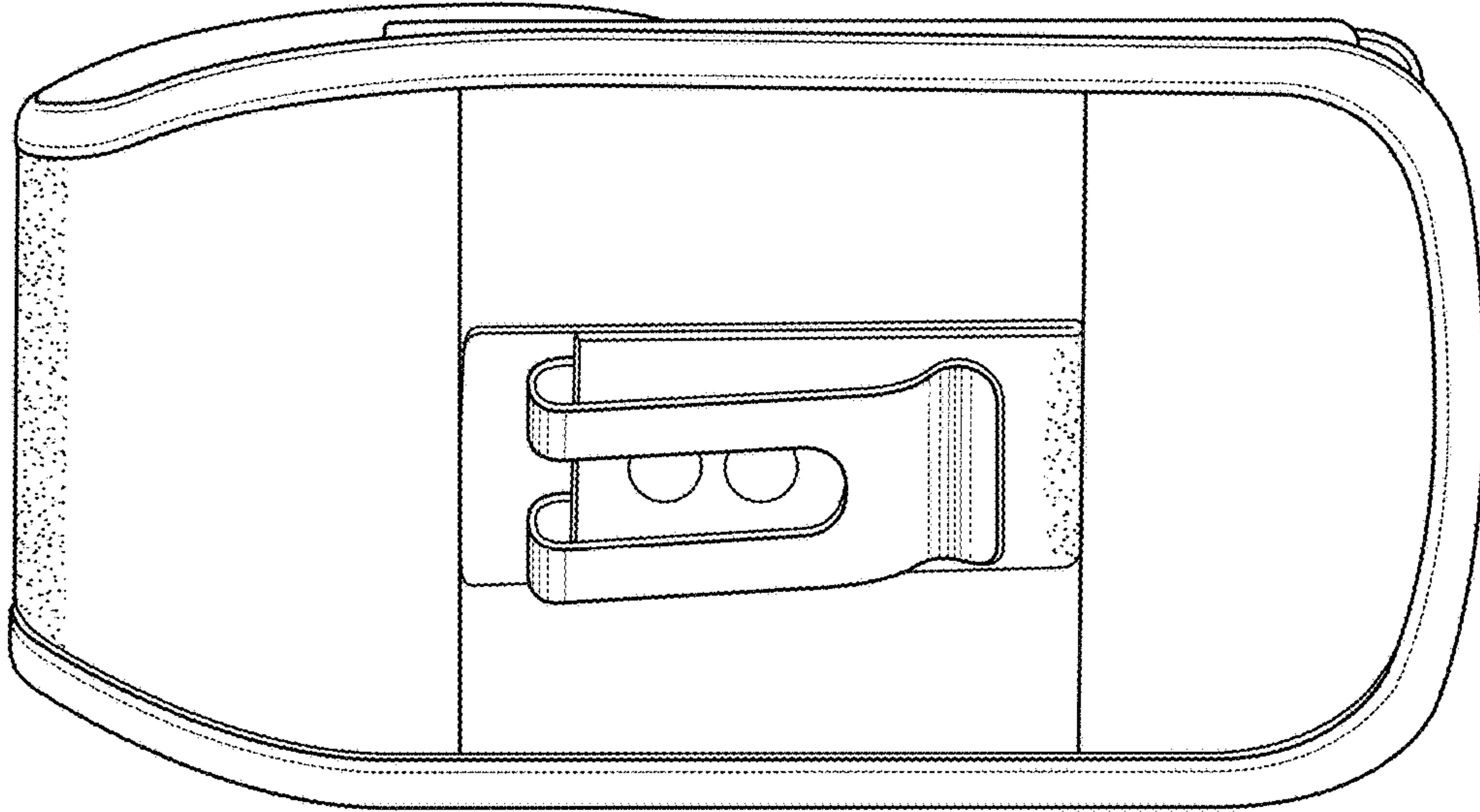


Fig. 2

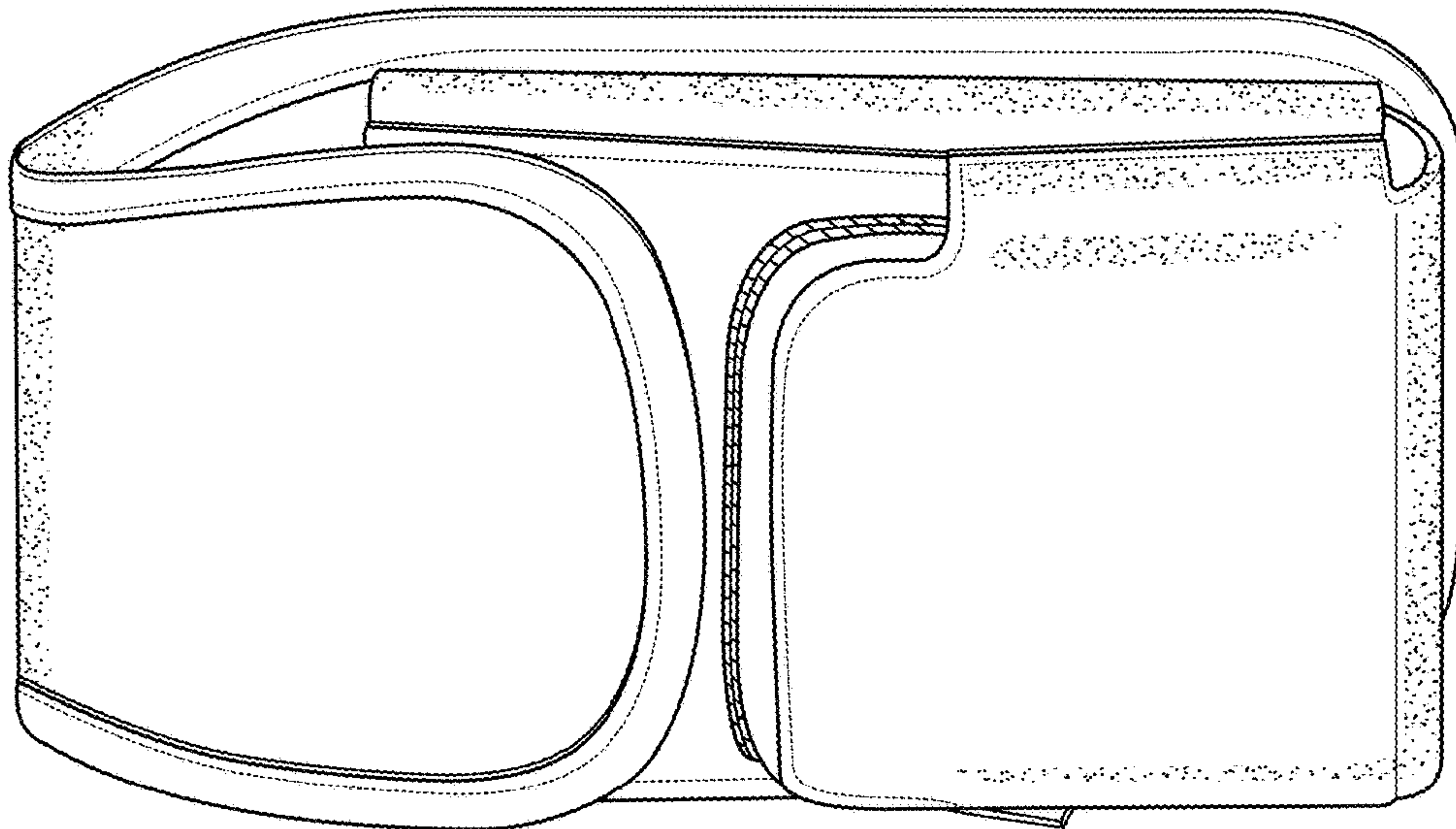


Fig. 1

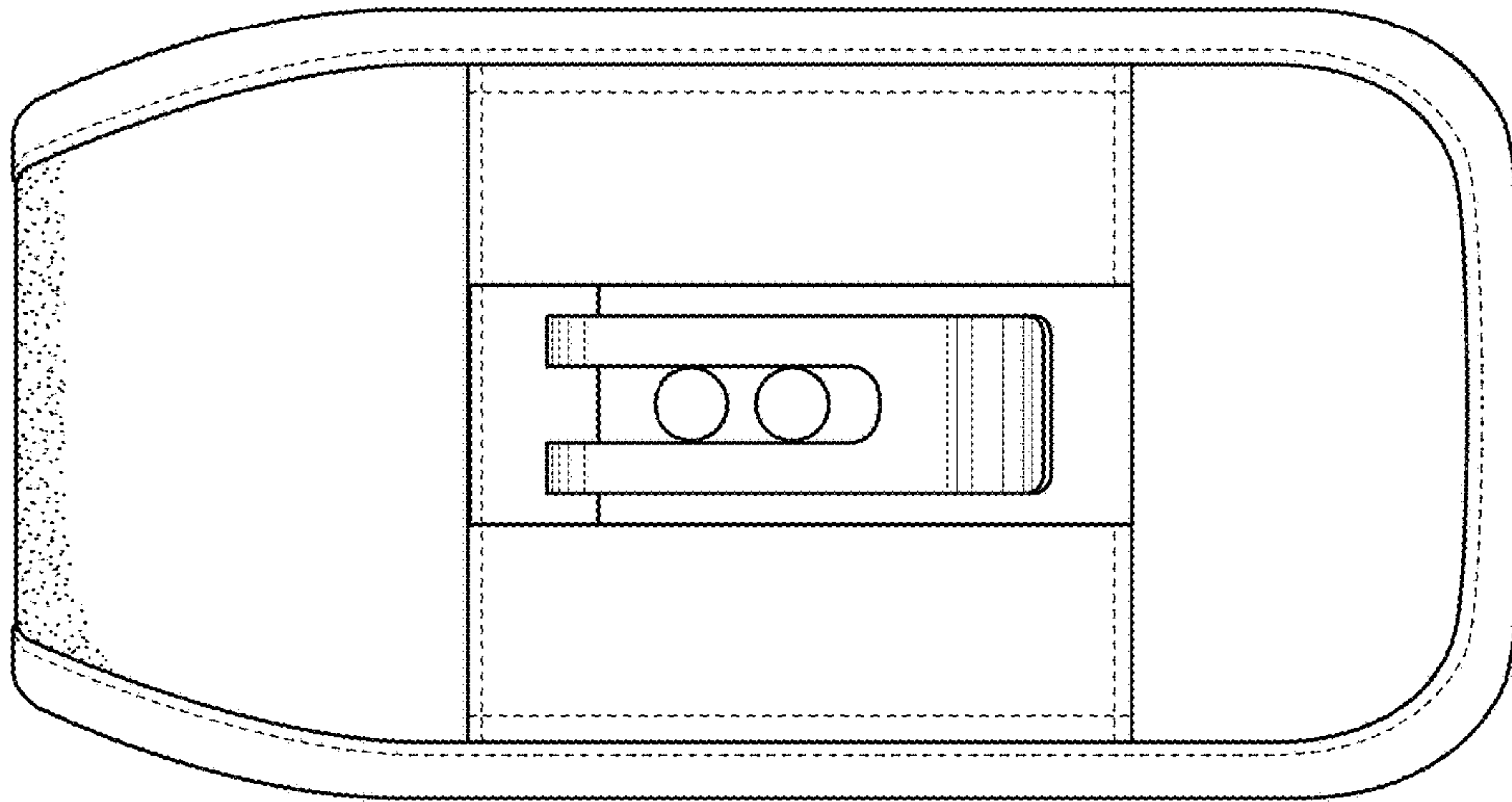


Fig. 4

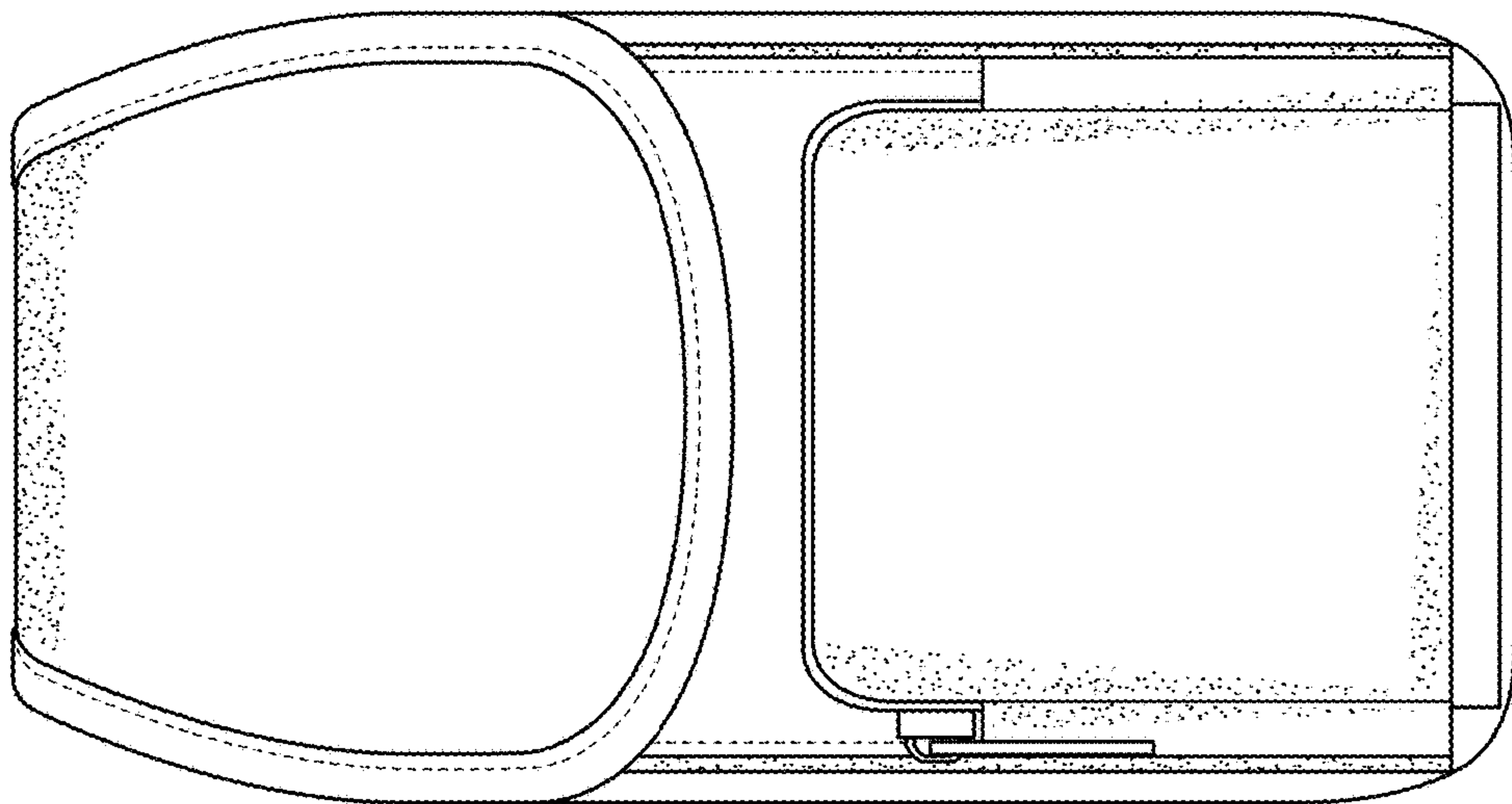


Fig. 3

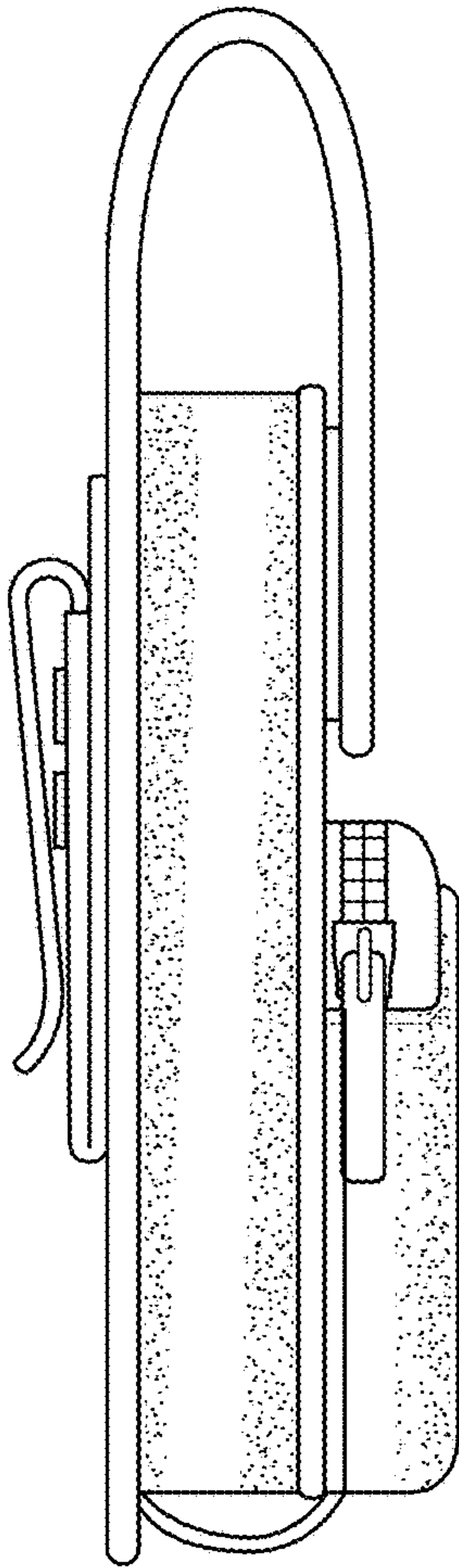


Fig. 5

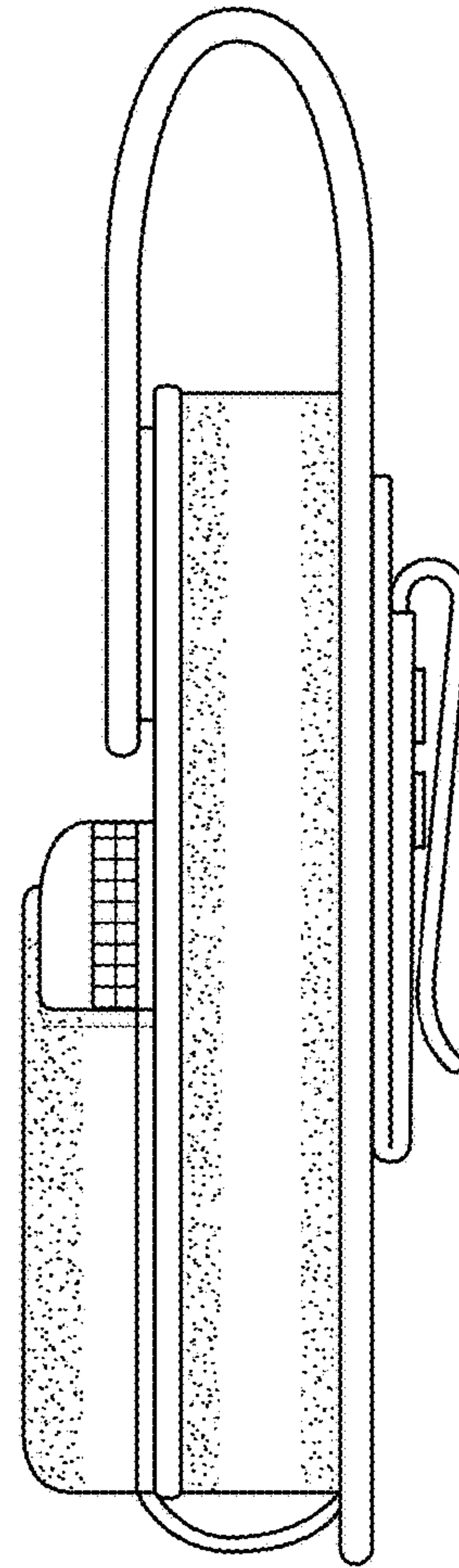


Fig. 6

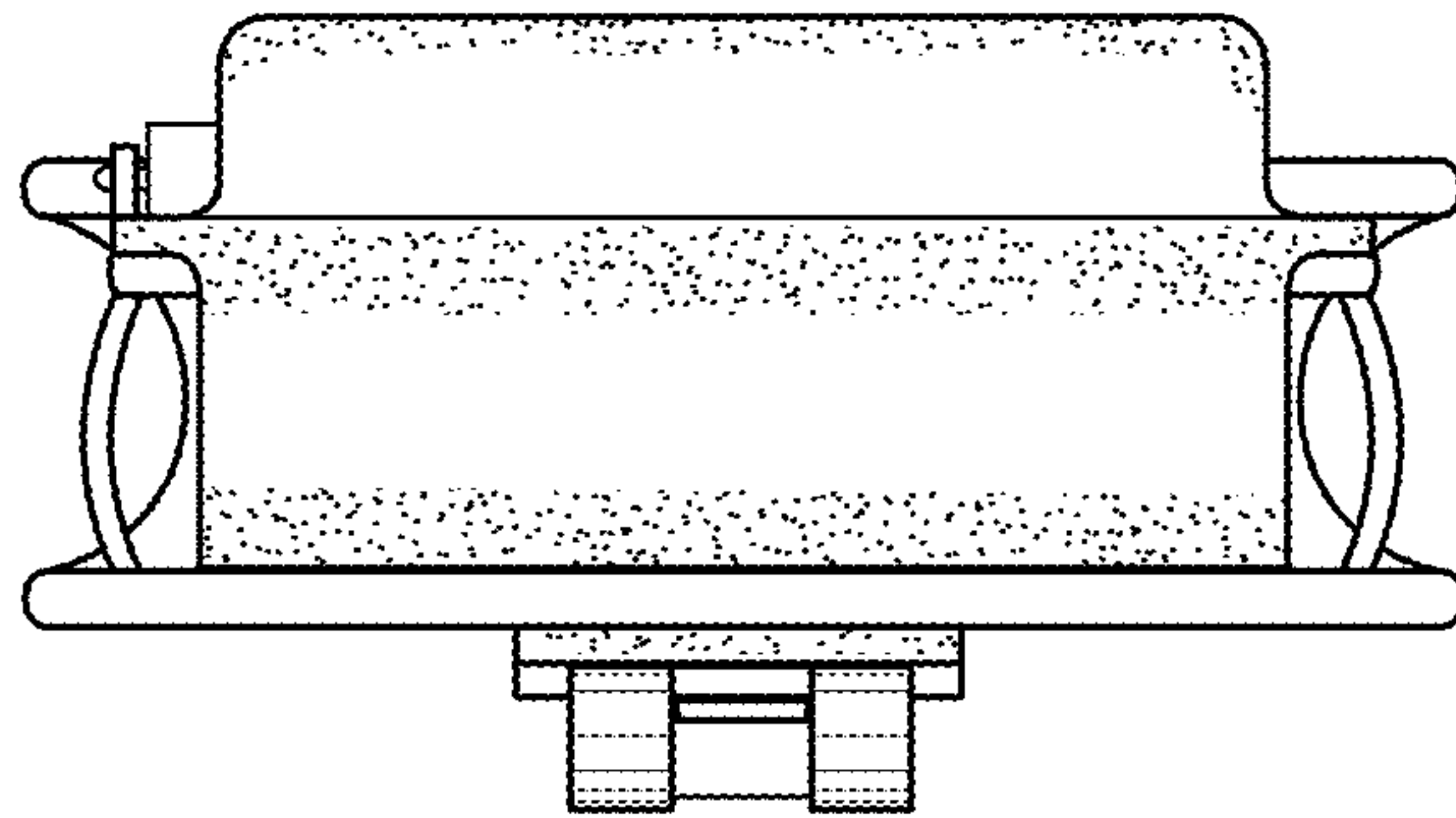


Fig. 7

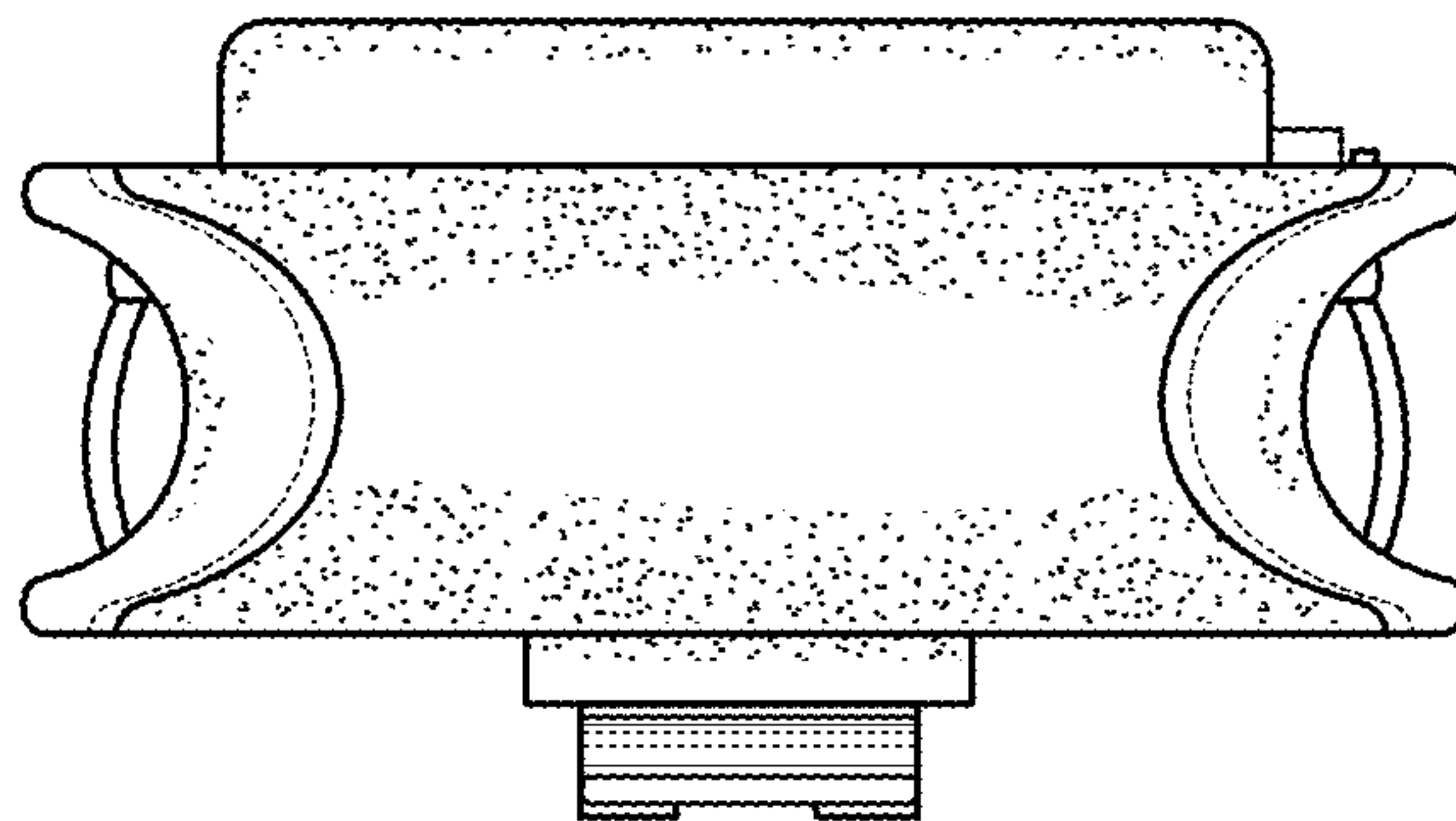


Fig. 8

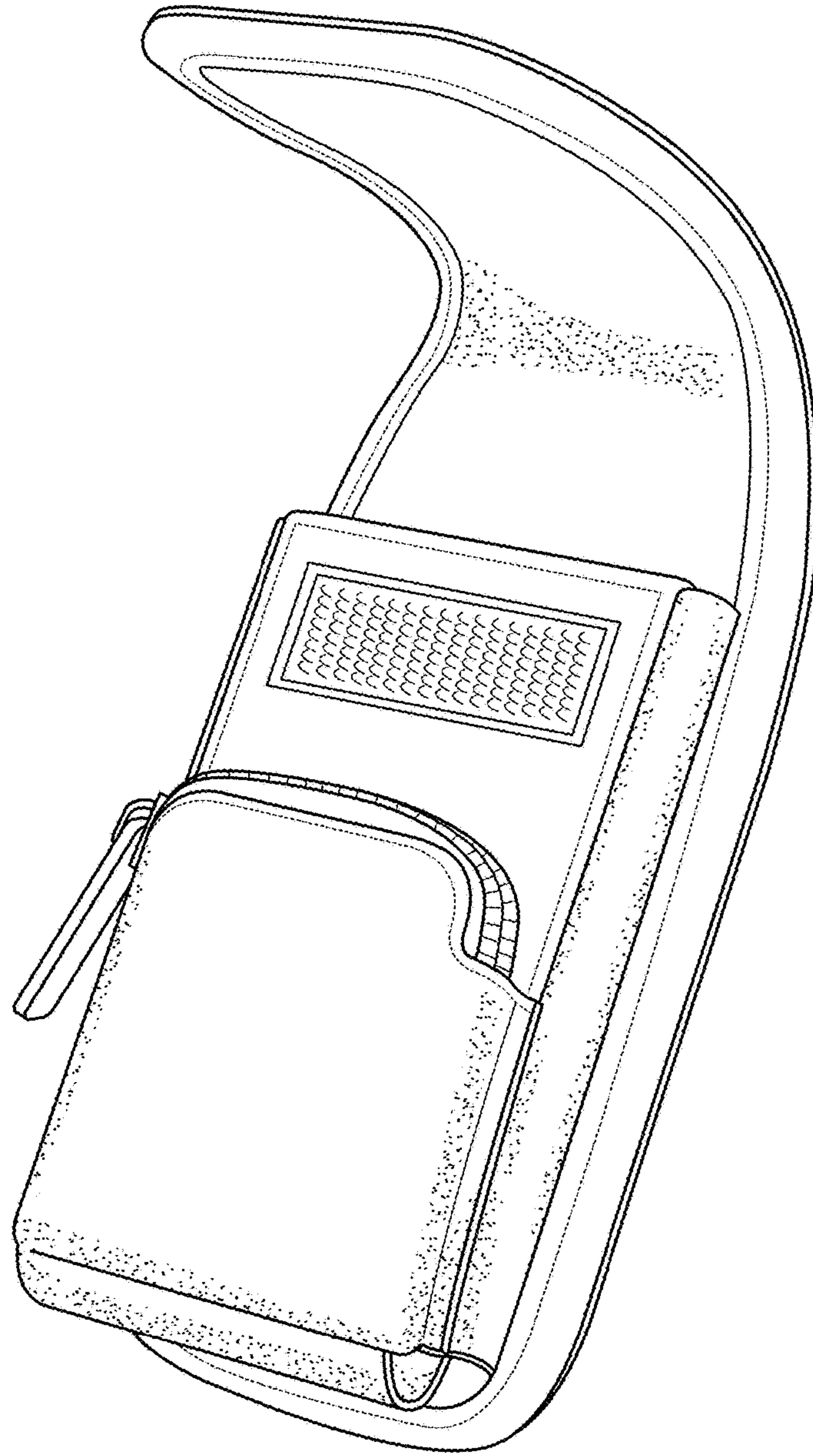


Fig. 9