



US00D819958S

(12) **United States Design Patent**
LiCalsi

(10) **Patent No.:** **US D819,958 S**
(45) **Date of Patent:** **** Jun. 12, 2018**

(54) **KEY FOB**

(71) Applicant: **Nelson LiCalsi**, Port Washington, NY
(US)

(72) Inventor: **Nelson LiCalsi**, Port Washington, NY
(US)

(**) Term: **15 Years**

(21) Appl. No.: **29/581,305**

(22) Filed: **Oct. 18, 2016**

(51) **LOC (11) Cl.** **03-01**

(52) **U.S. Cl.**
USPC **D3/207**

(58) **Field of Classification Search**
USPC D3/207-212; 70/456 B, 457, 458, 408,
70/456 R; D13/168; D8/347; D10/104;
D14/496, 411; 206/37.1; D21/604, 605,
D21/656, 658, 659; 24/3.6; D11/11, 79,
D11/81, 82, 87
CPC H04B 1/034; F04B 15/00; E05B 19/04;
A44B 15/00; A44B 15/002; A44B
15/005; A44B 15/007
See application file for complete search history.

(56) **References Cited**

U.S. PATENT DOCUMENTS

2,462,206 A * 2/1949 Magee A45C 11/324
206/37.8
D438,373 S * 3/2001 Riley D3/207

D506,056 S * 6/2005 Burns D3/207
D557,008 S * 12/2007 Stiller D3/207
D604,944 S * 12/2009 Chiu D3/211
8,104,315 B2 * 1/2012 Perthou A44B 15/00
206/38.1
D677,048 S * 3/2013 Du D3/207
D749,837 S * 2/2016 Du D3/207
D793,075 S * 8/2017 Ma D3/207

* cited by examiner

Primary Examiner — Ralf Seifert

(74) *Attorney, Agent, or Firm* — Powley & Gibson, P.C.

(57) **CLAIM**

I claim the ornamental design for a key fob, as shown and described.

DESCRIPTION

FIG. 1 is a perspective view of a key fob, showing my new design;
FIG. 2 is a front view thereof;
FIG. 3 is a rear view thereof;
FIG. 4 is a left side view thereof;
FIG. 5 is a right side view thereof;
FIG. 6 is a top view thereof; and,
FIG. 7 is a bottom side view thereof.
The broken lines shown, if any, represent unclaimed subject matter and form no part of the claimed invention.

1 Claim, 3 Drawing Sheets

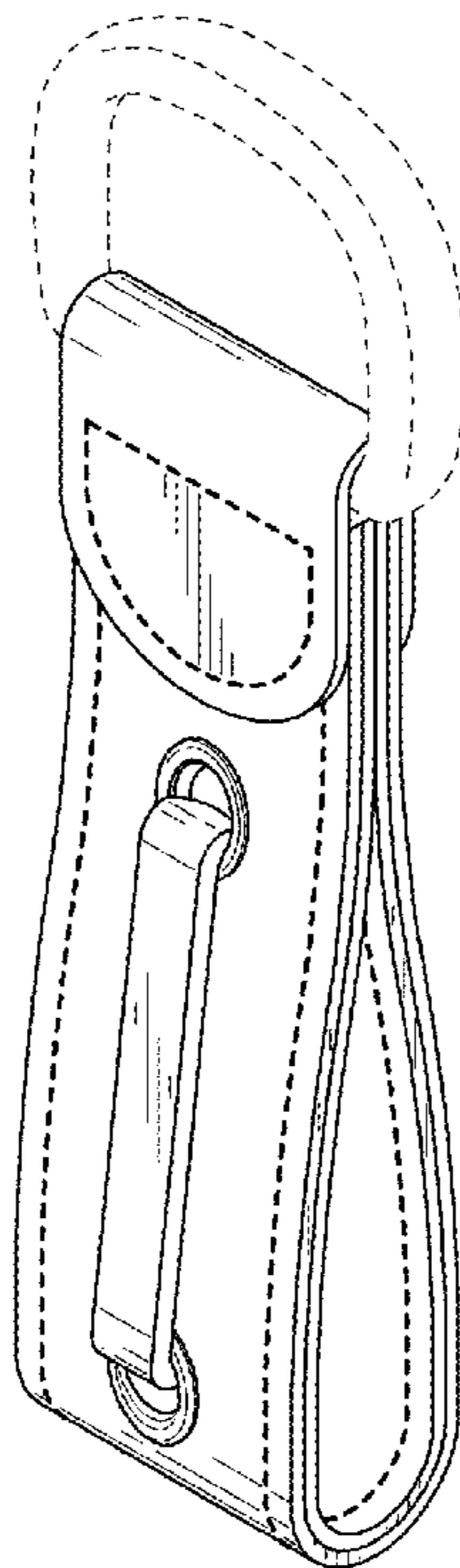


FIG. 1

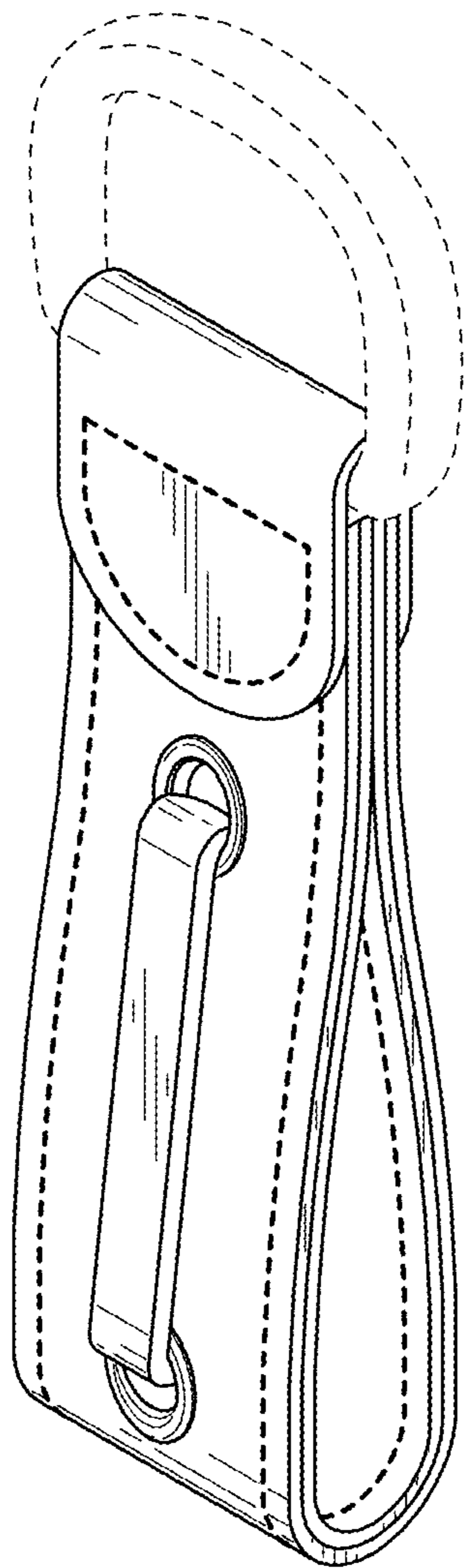


FIG. 2

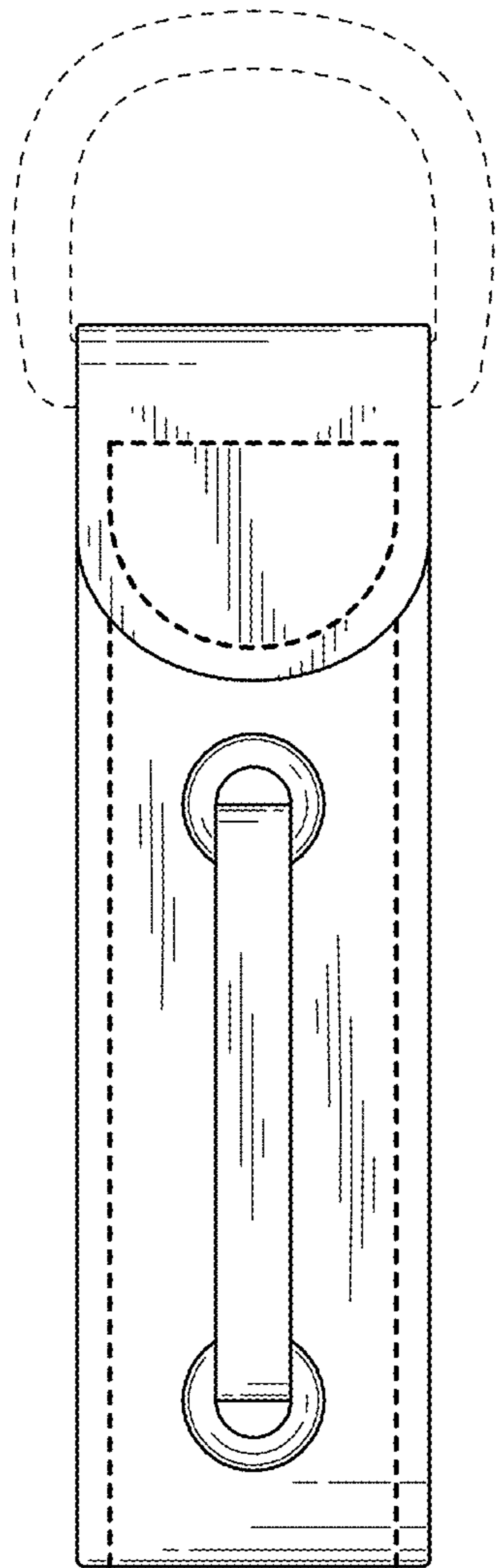


FIG. 3

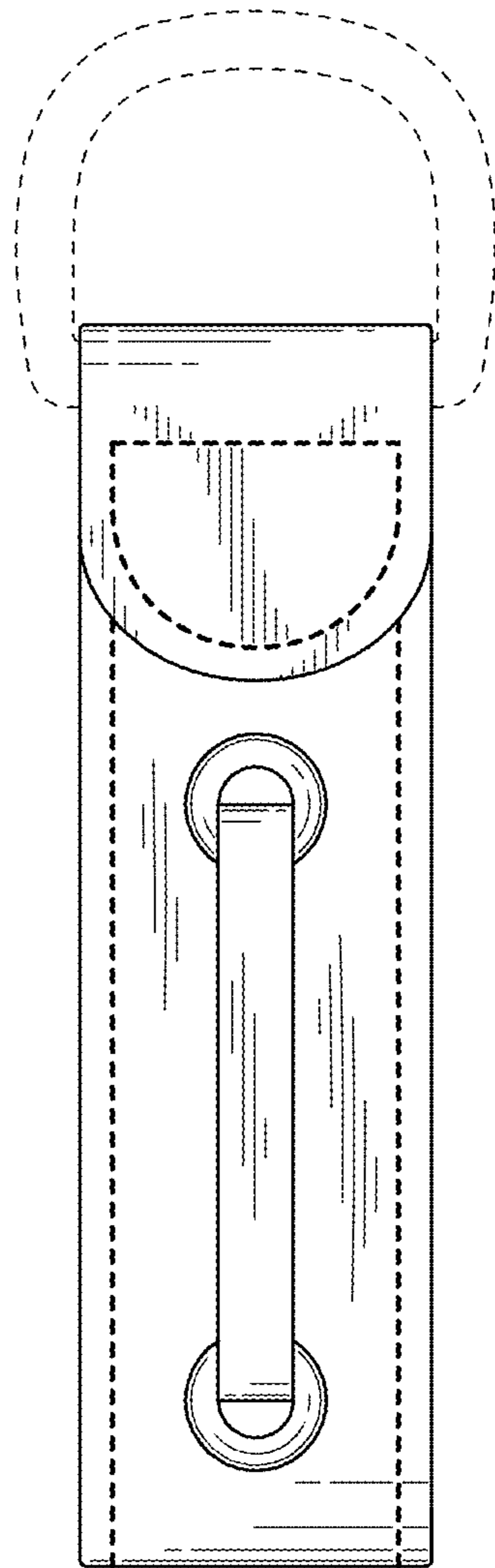


FIG. 4

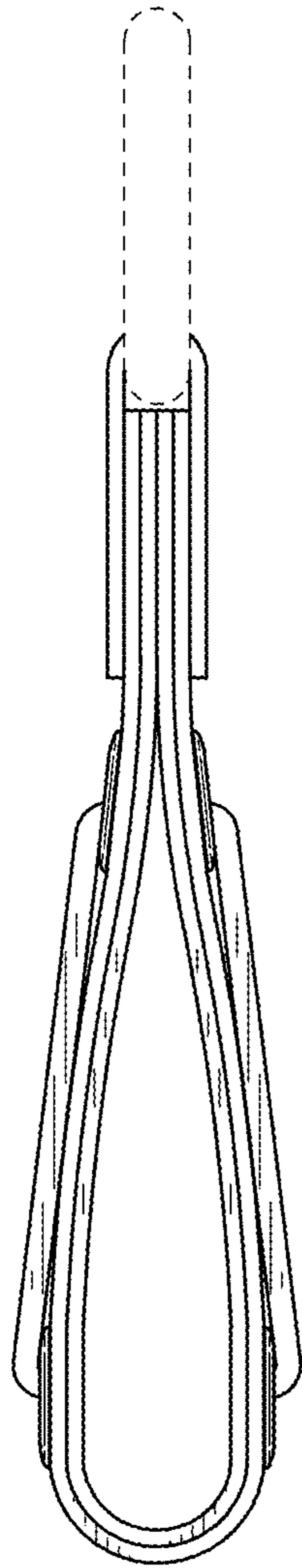


FIG. 5

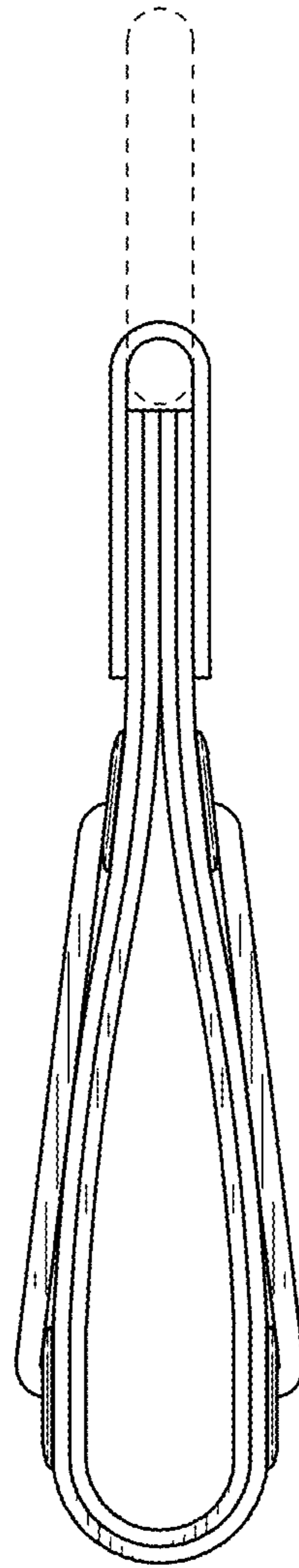


FIG. 6

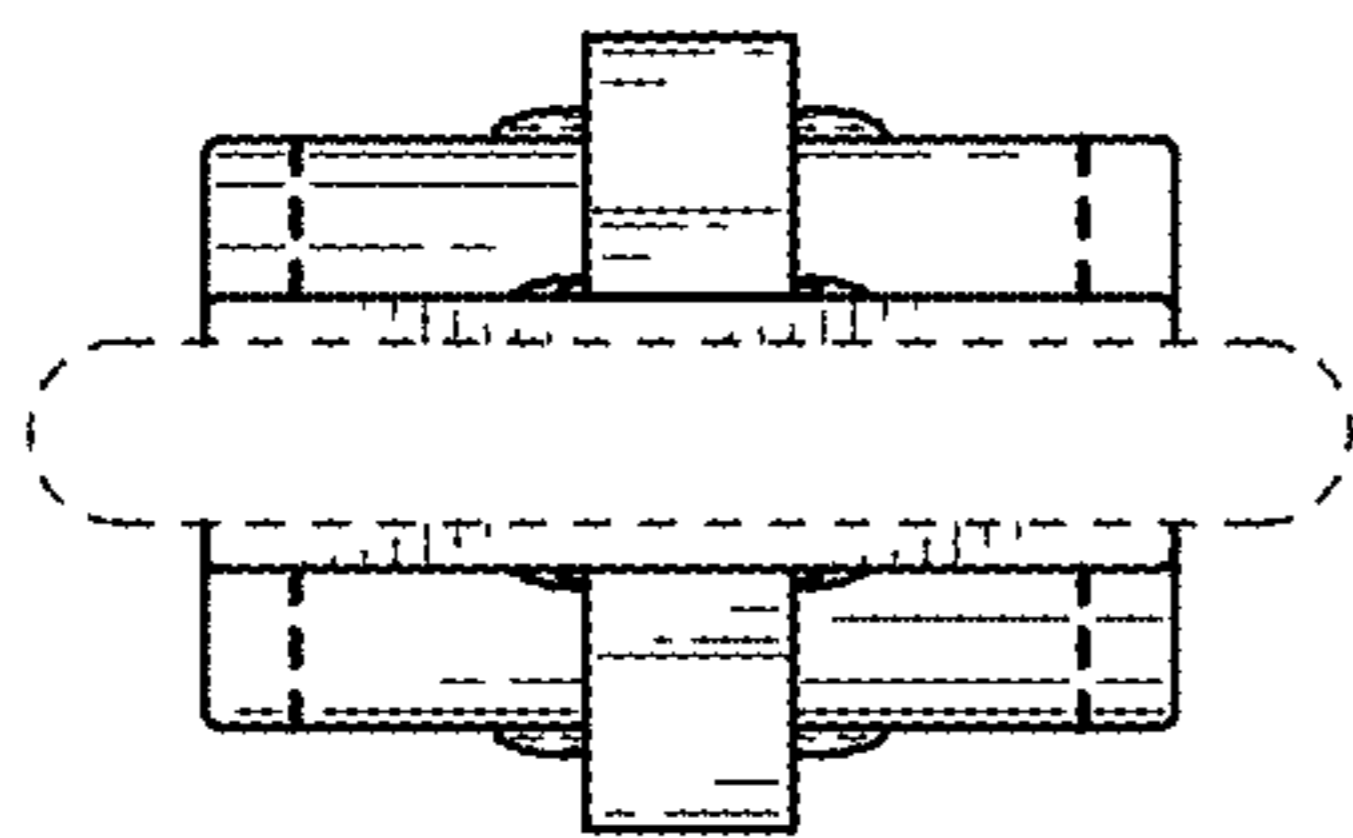


FIG. 7

