



US00D819949S

(12) **United States Design Patent**
Jones

(10) **Patent No.:** **US D819,949 S**
(45) **Date of Patent:** **** Jun. 12, 2018**

- (54) **SHOE UPPER**
- (71) Applicant: **NIKE, Inc.**, Beaverton, OR (US)
- (72) Inventor: **Evan Jones**, Portland, OR (US)
- (73) Assignee: **NIKE, Inc.**, Beaverton, OR (US)
- (**) Term: **15 Years**
- (21) Appl. No.: **29/584,692**
- (22) Filed: **Nov. 16, 2016**
- (51) **LOC (11) Cl.** **02-99**
- (52) **U.S. Cl.**
USPC **D2/972**
- (58) **Field of Classification Search**
USPC D2/902, 906-908, 923, 944, 946, 969,
D2/972-975, 978; D5/7, 15, 46, 47, 49,
D5/53
CPC ... A43B 13/181; A43B 13/141; A43B 13/186;
A43B 13/188; A43B 23/00; A43B 23/02;
A43B 5/00; A43B 23/26; A43B 1/04;
A43B 11/14; A43B 7/00; A43B 3/12;
A43C 3/00; A43C 5/00; A43C 7/00;
A43C 11/004
See application file for complete search history.

D738,093 S *	9/2015	Woodman	D2/972
D738,607 S *	9/2015	Seamarks	D2/972
D793,707 S *	8/2017	Rasmussen	D2/972
D794,307 S *	8/2017	Winfield	D2/972
D809,768 S *	2/2018	Witherow	D2/972

* cited by examiner

Primary Examiner — Dominic V Simone
(74) *Attorney, Agent, or Firm* — Shook, Hardy and Bacon L.L.P.

(57) **CLAIM**

The ornamental design for a shoe upper, as shown and described.

DESCRIPTION

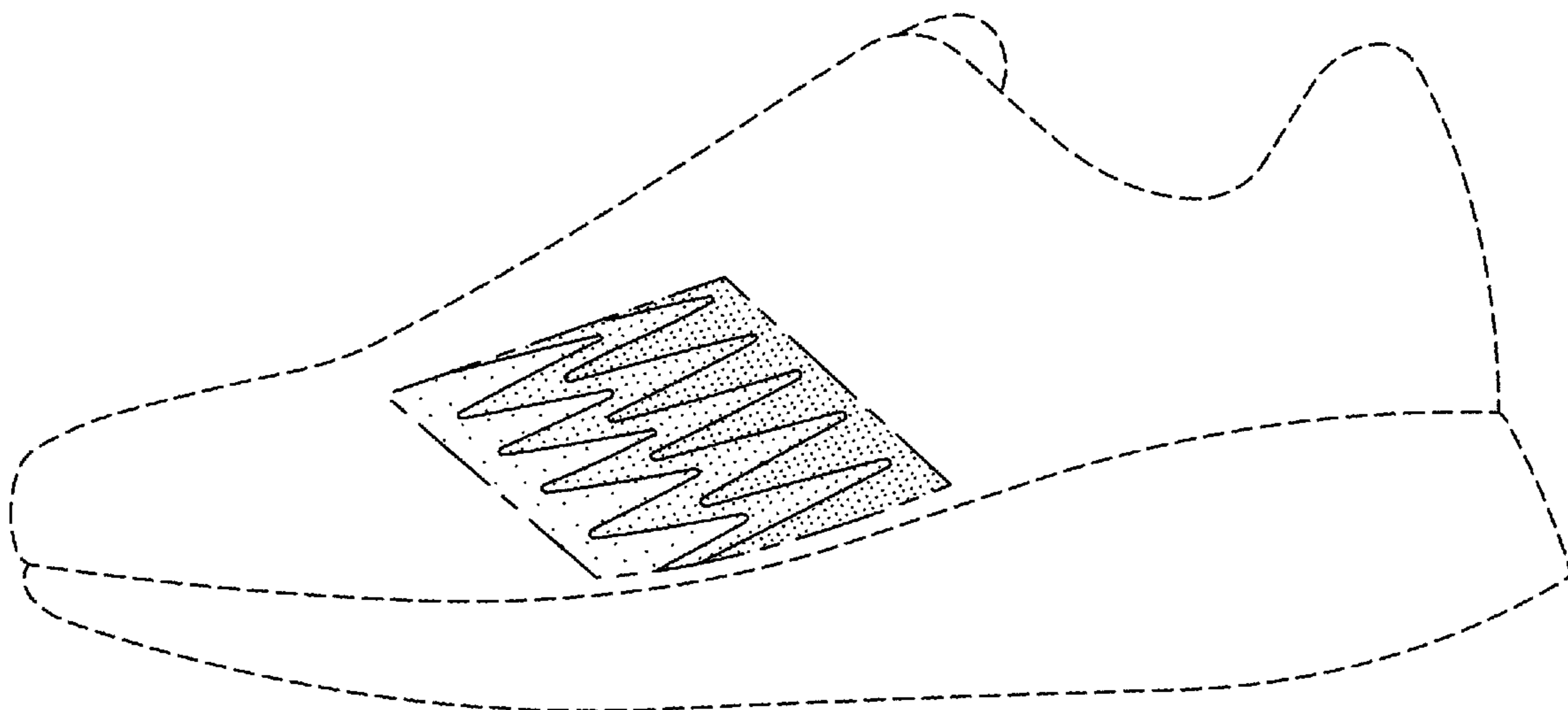
FIG. 1 is a lateral side view of a shoe upper showing my new design according to a first embodiment;
 FIG. 2 is a rear lateral side perspective view thereof; and,
 FIG. 3 is a front lateral side perspective view thereof.
 The long and short broken lines are boundary lines, which define the bounds of the claimed design. These boundaries do not exist in reality in the article embodying the design. It is understood that the claimed design extends to these boundaries but does not include the boundaries.
 The evenly-spaced broken lines shown in the drawings are directed to environment, are for informational purposes only, and form no part of the claimed design.
 The contrast shading within the claimed boundary represents a contrast in appearance only and does not represent any particular color, material, texture or finish.

1 Claim, 3 Drawing Sheets

(56) **References Cited**

U.S. PATENT DOCUMENTS

D449,425 S *	10/2001	Sasaki	D2/902
D541,520 S *	5/2007	Fogg	D2/972



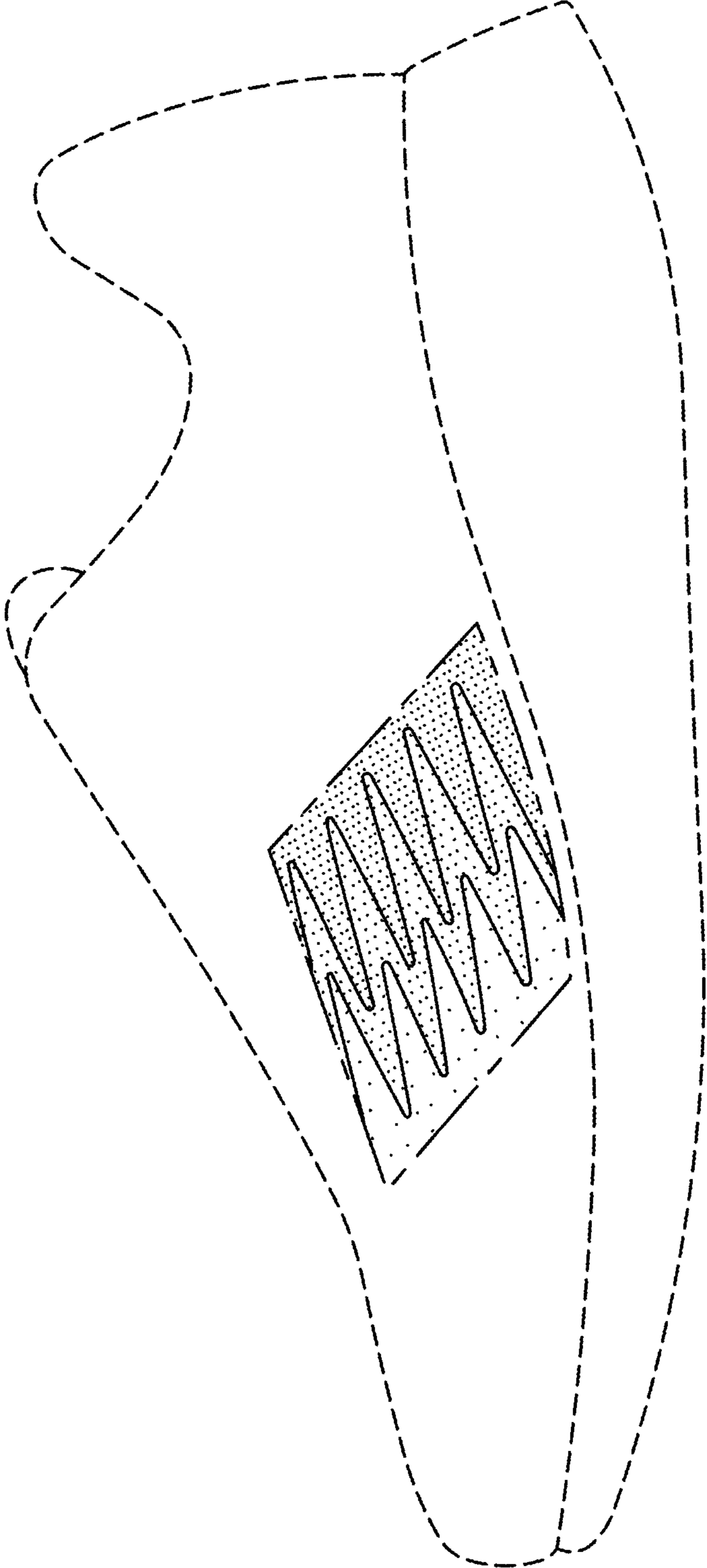


FIG. 1.

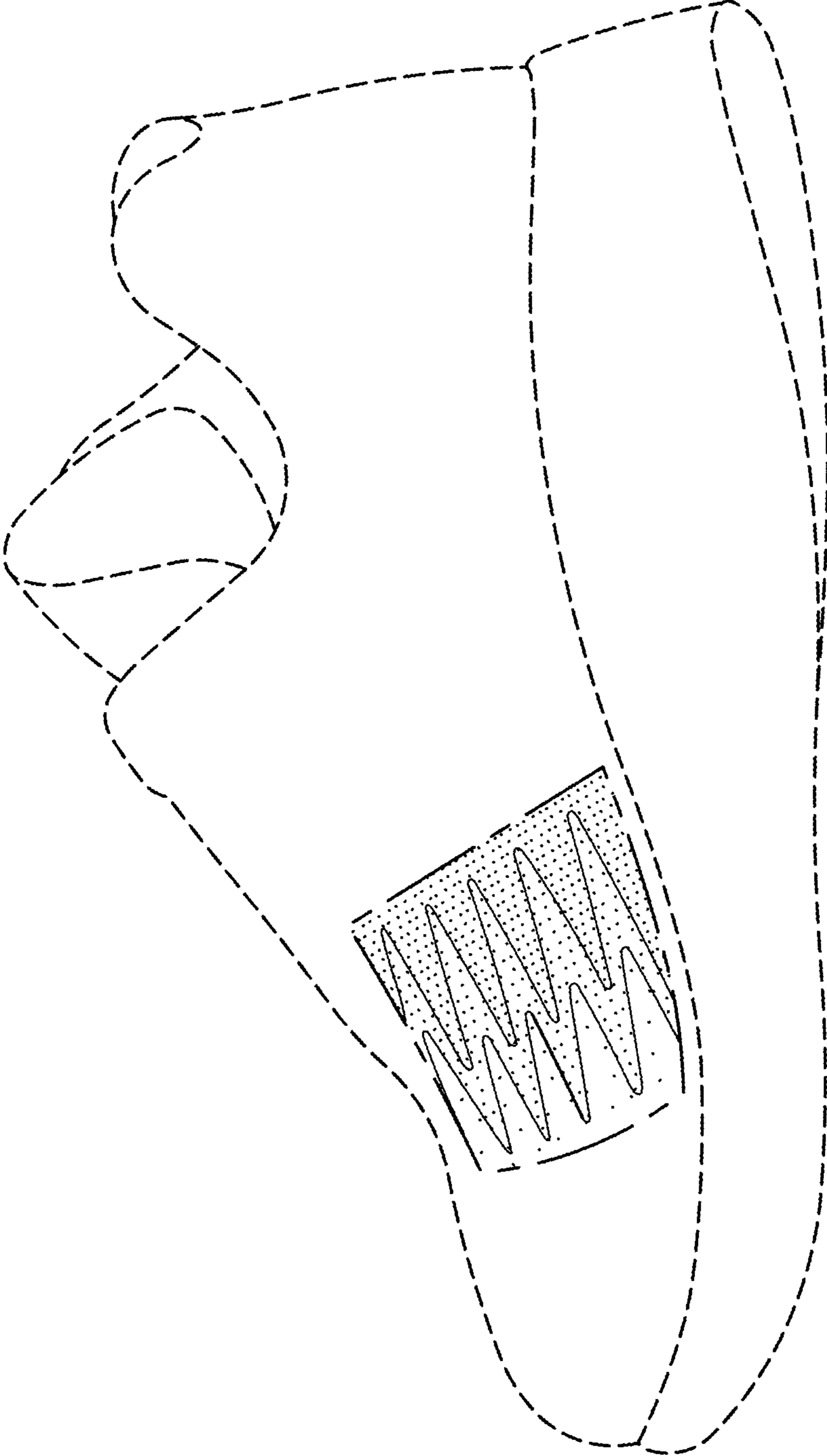


FIG. 2.

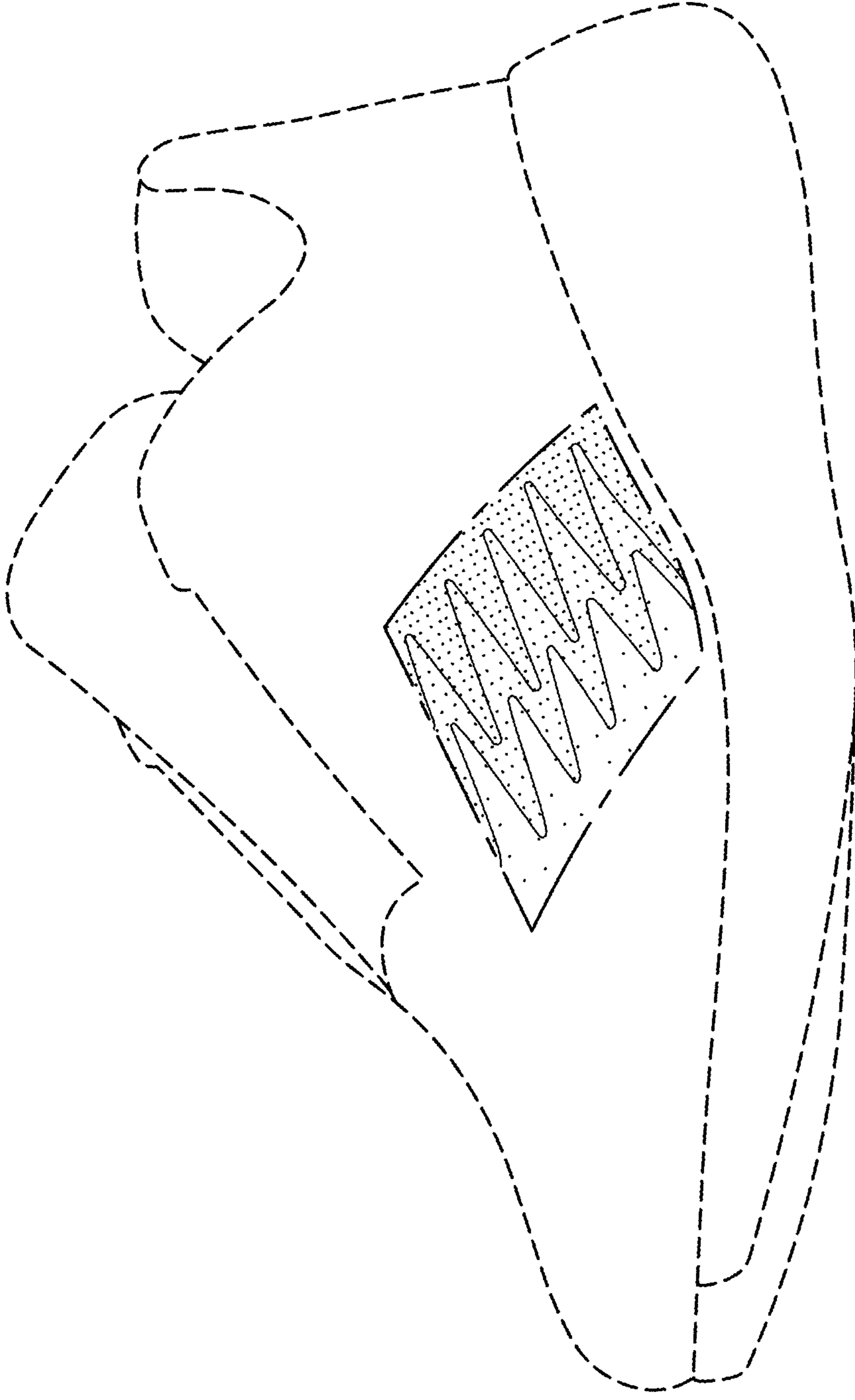


FIG. 3.