



US00D819927S

(12) **United States Design Patent**
Nihill

(10) **Patent No.:** **US D819,927 S**
(45) **Date of Patent:** **** Jun. 12, 2018**

(54) **BED ROLL**

(71) Applicant: **Genevieve Anne Nihill**, Melbourne (AU)

(72) Inventor: **Genevieve Anne Nihill**, Melbourne (AU)

(**) Term: **15 Years**

(21) Appl. No.: **29/562,995**

(22) Filed: **May 1, 2016**

(51) **LOC (11) Cl.** **02-01**

(52) **U.S. Cl.**
USPC **D2/719**

(58) **Field of Classification Search**
USPC D2/719; D6/589, 595, 596, 598, D6/601-603, 617; D21/803-809
CPC A47G 9/08; A47G 9/083; A47G 9/086
See application file for complete search history.

(56) **References Cited**

U.S. PATENT DOCUMENTS

3,334,363	A *	8/1967	Lutz	A47G 9/086 5/413 R
D348,348	S *	7/1994	Lawson	D2/719
D349,625	S *	8/1994	daPalma	D6/596
D401,736	S *	12/1998	Shaw	D2/718
D416,123	S *	11/1999	Hwang	D2/700
D420,780	S *	2/2000	Cox	D2/700
D436,488	S *	1/2001	Johnson	D6/595
D476,516	S *	7/2003	Pigg	D6/596
D478,455	S *	8/2003	Papazian	D6/596
D571,594	S *	6/2008	Klepy	D6/595
D593,788	S *	6/2009	Thompson	D6/602
D677,961	S *	3/2013	Mckee	D6/595
D793,030	S *	8/2017	Willcox	D2/719
D793,661	S *	8/2017	Lee	D2/719

OTHER PUBLICATIONS

Kelty Blue Coromell 40 Degree Down Sleeping Bag, posted at amazon.com, earliest date reviewed Aug. 16, 2015, [online], acquired on Aug. 30, 2017. Available from Internet, <URL: https://www.amazon.com/dp/B00QOC6OTO/ref=olp_product_details?_encoding=UTF8&me=>.*

* cited by examiner

Primary Examiner — Cathron C Brooks

Assistant Examiner — Aula Soroush

(74) *Attorney, Agent, or Firm* — Potomac Law Group, PLLC; Kenneth Fagin

(57) **CLAIM**

The ornamental design for a bed roll, as shown and described.

DESCRIPTION

FIG. 1 is a top plan view of a bed roll showing my new design;

FIG. 2 is a bottom plan view thereof;

FIG. 3 is a top plan view of the bed roll shown in FIG. 1 in a partially open state;

FIG. 4 is a top plan view of the bed roll shown in FIG. 1, with the duvet detached;

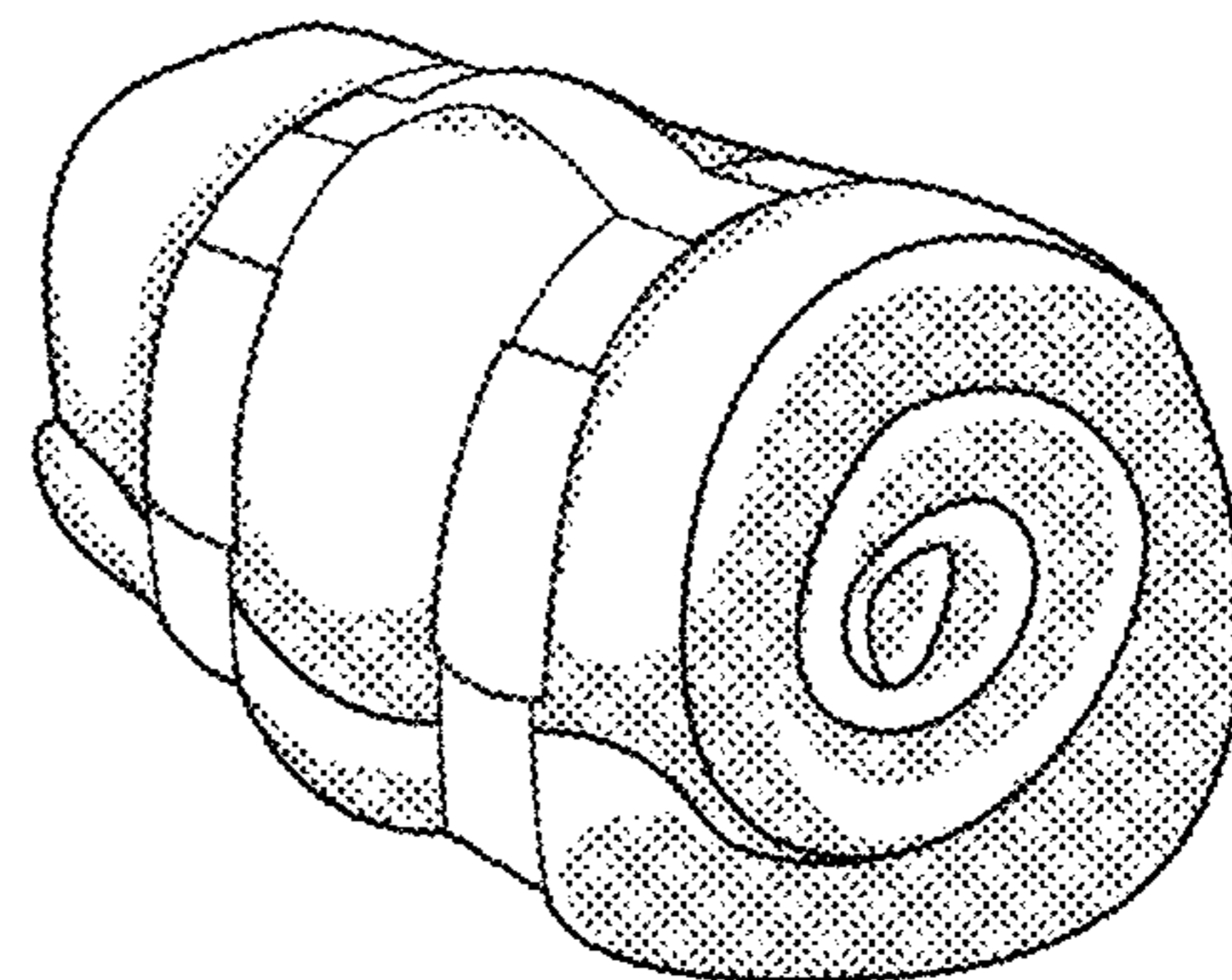
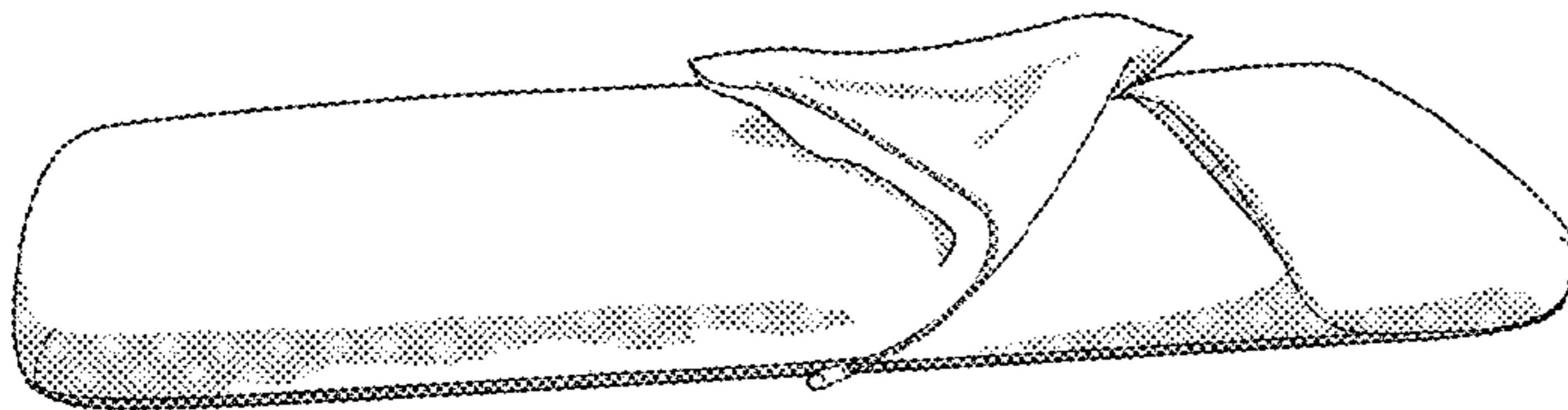
FIG. 5 is a top plan view of the duvet portion, shown separately for completeness of illustration.

FIG. 6 is a top perspective view of the bed roll, shown without the duvet portion for completeness of illustration.

FIG. 7 is a side perspective view of the bed roll shown in FIG. 1, showing the duvet in a partially open state; and,

FIG. 8 is another perspective view of the bed roll shown in FIG. 1, shown in a rolled-up state.

1 Claim, 8 Drawing Sheets



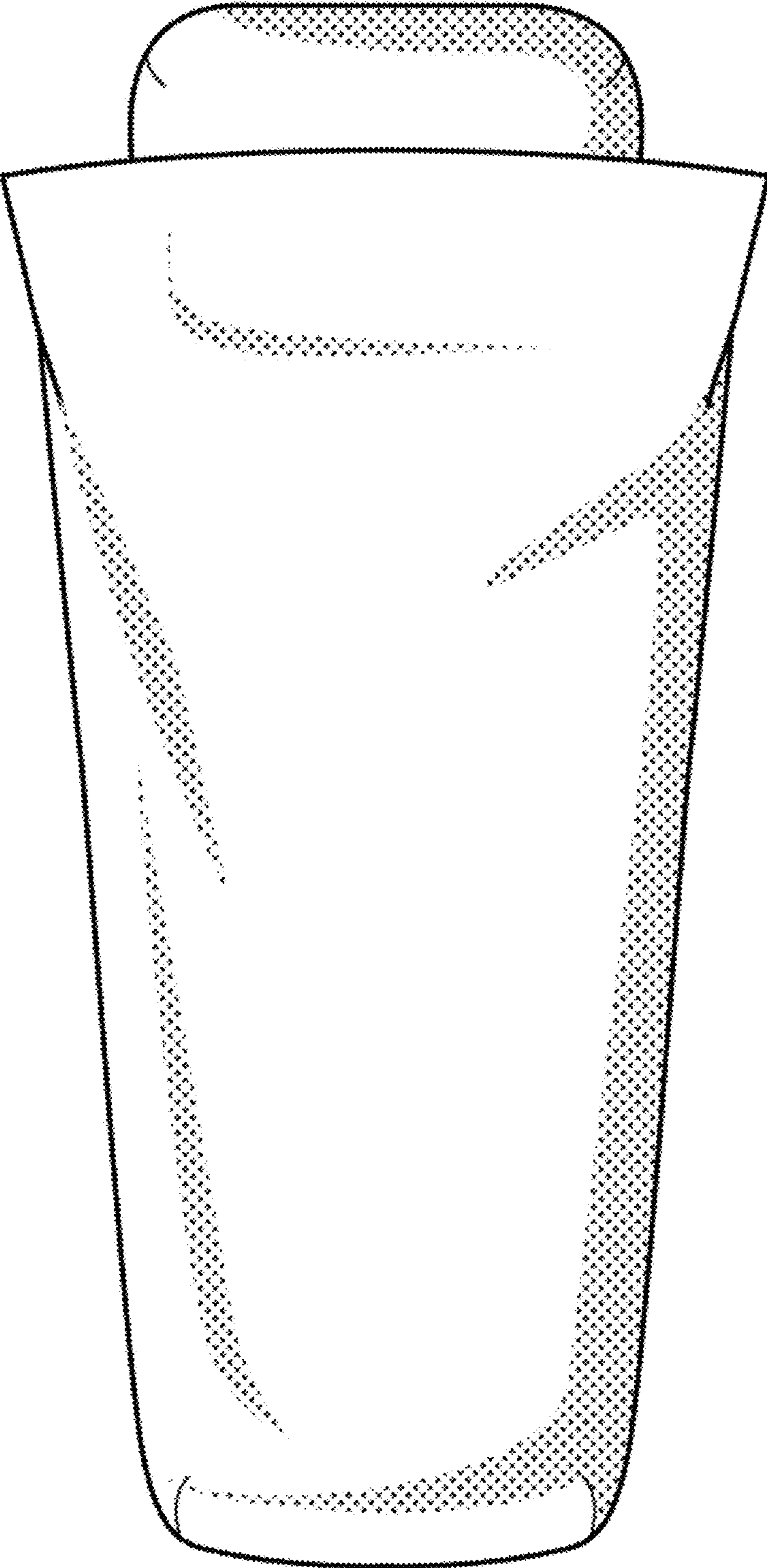


FIG1

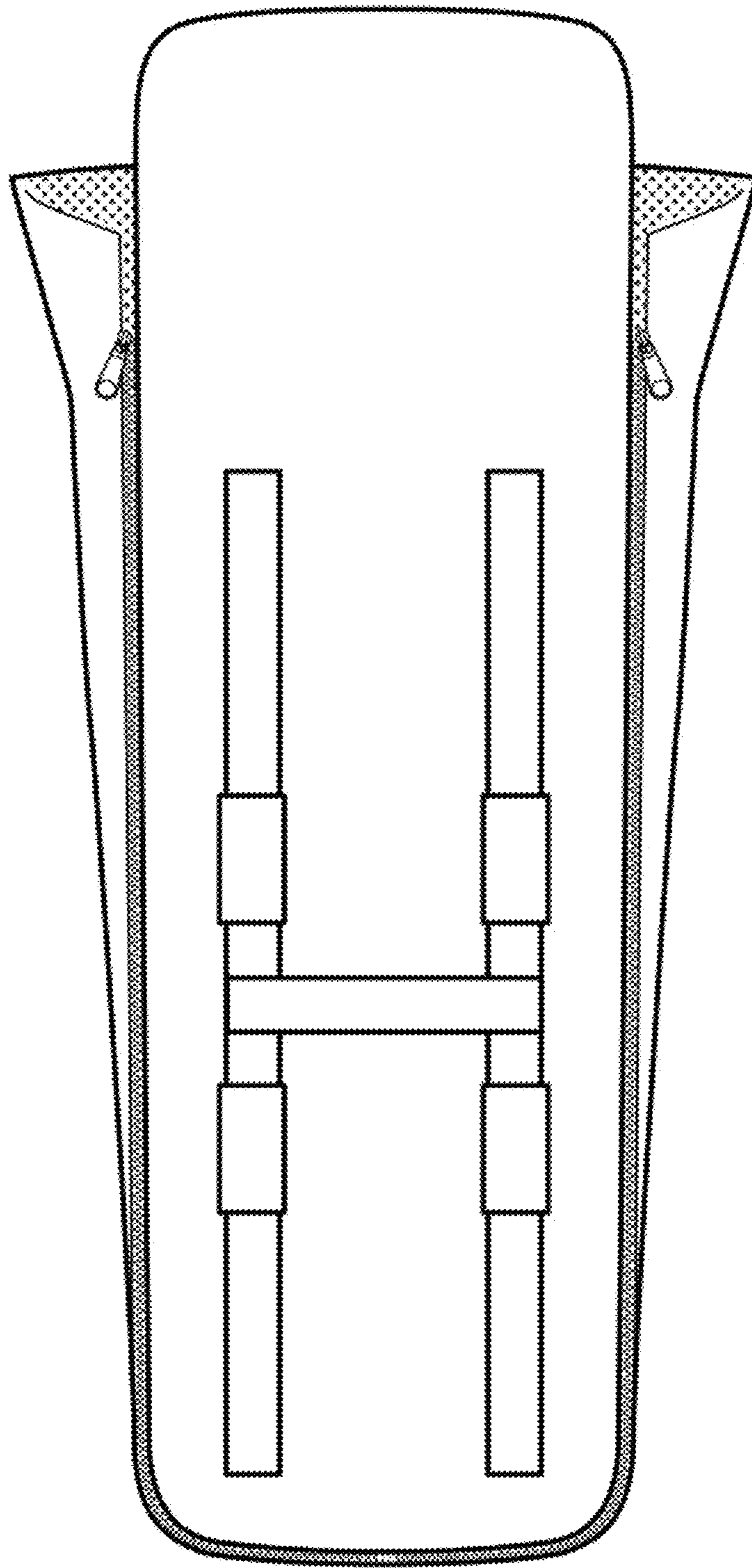


FIG 2

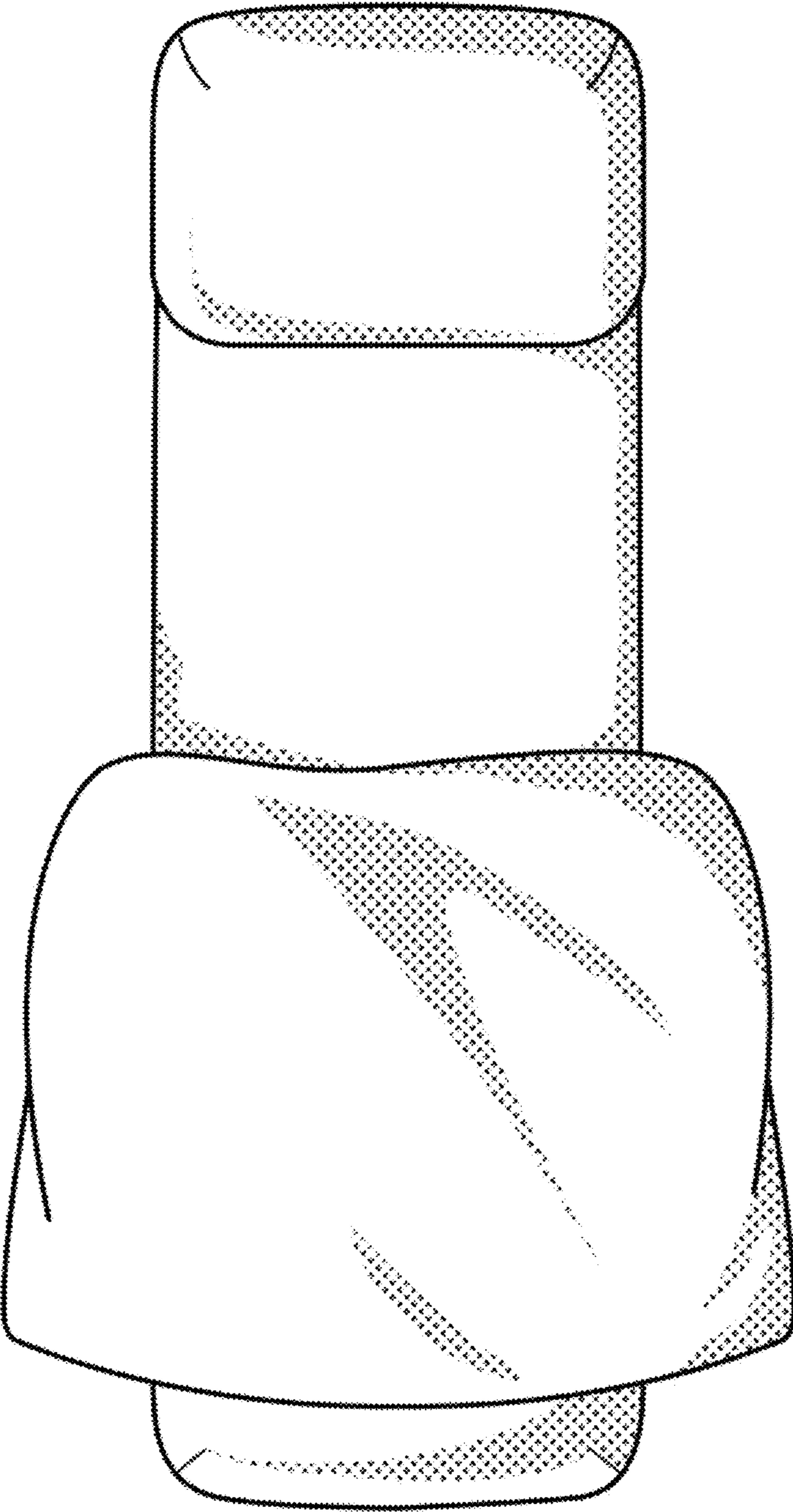


FIG 3

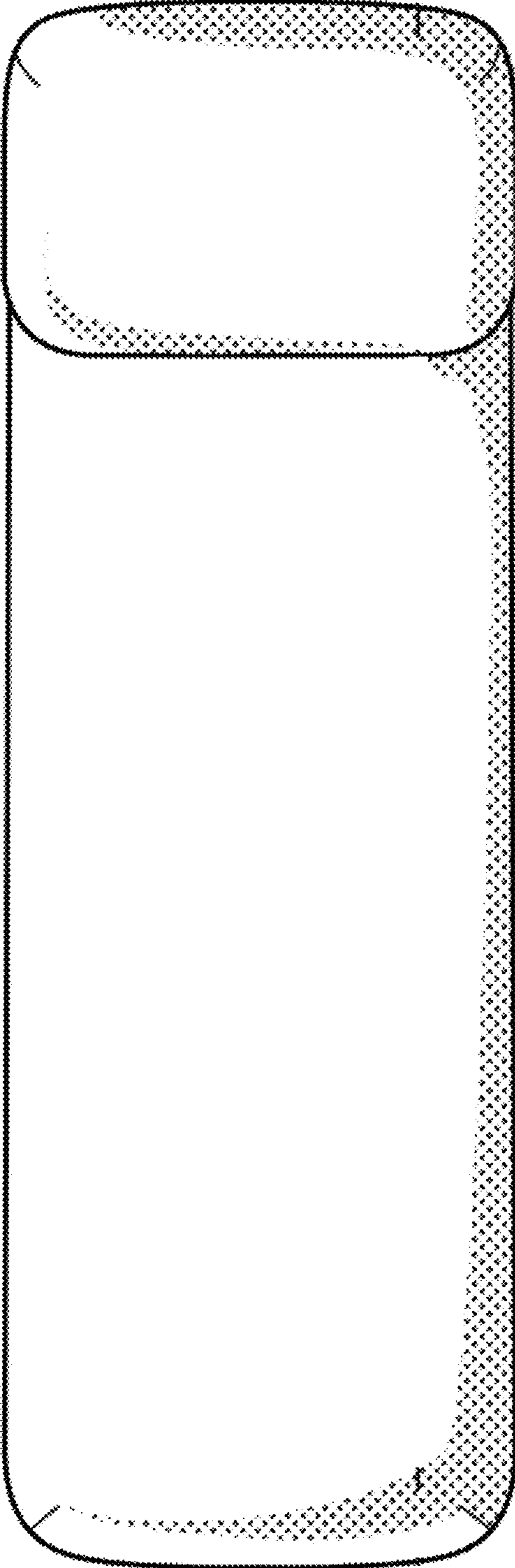


FIG 4

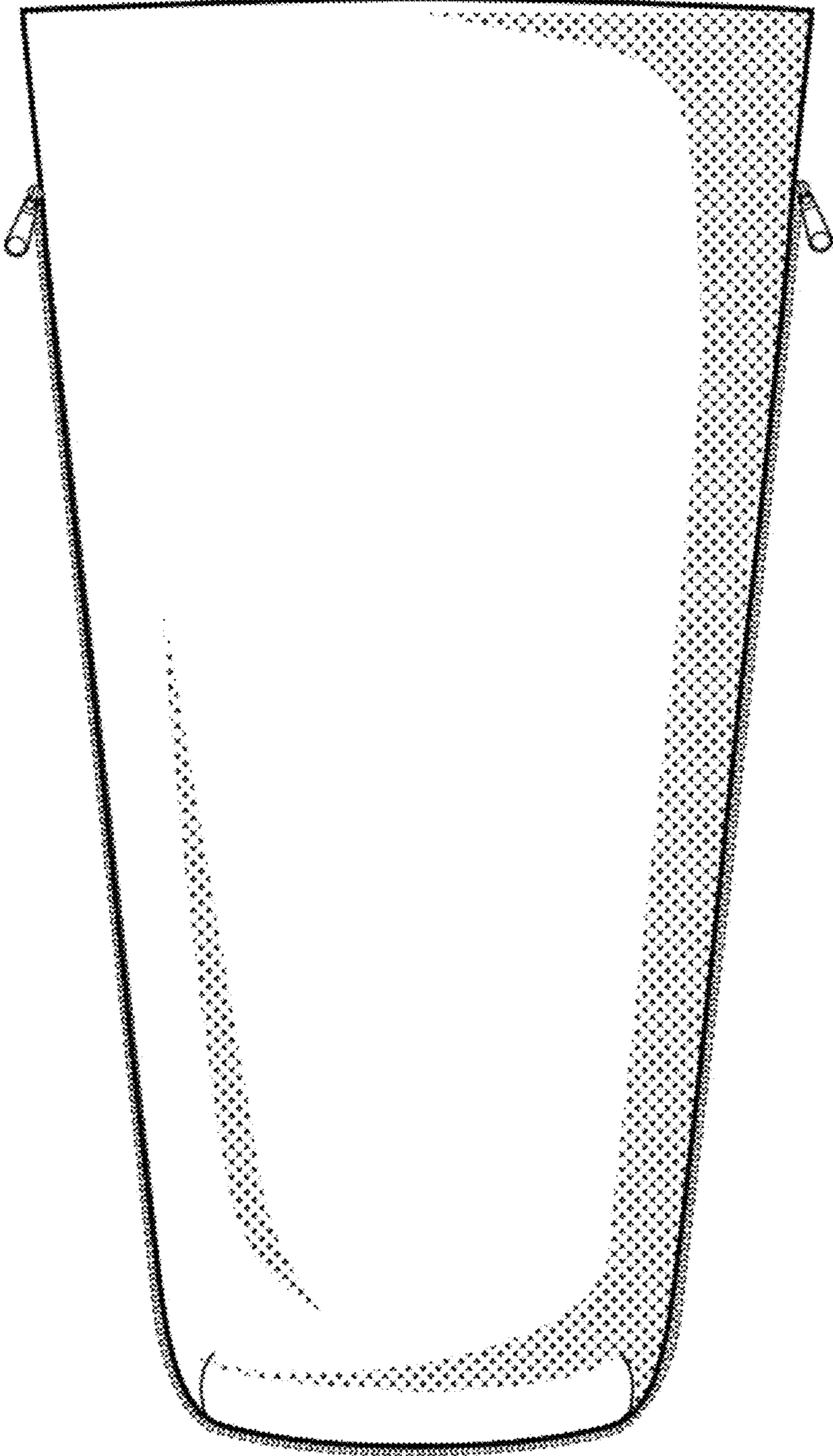


FIG 5

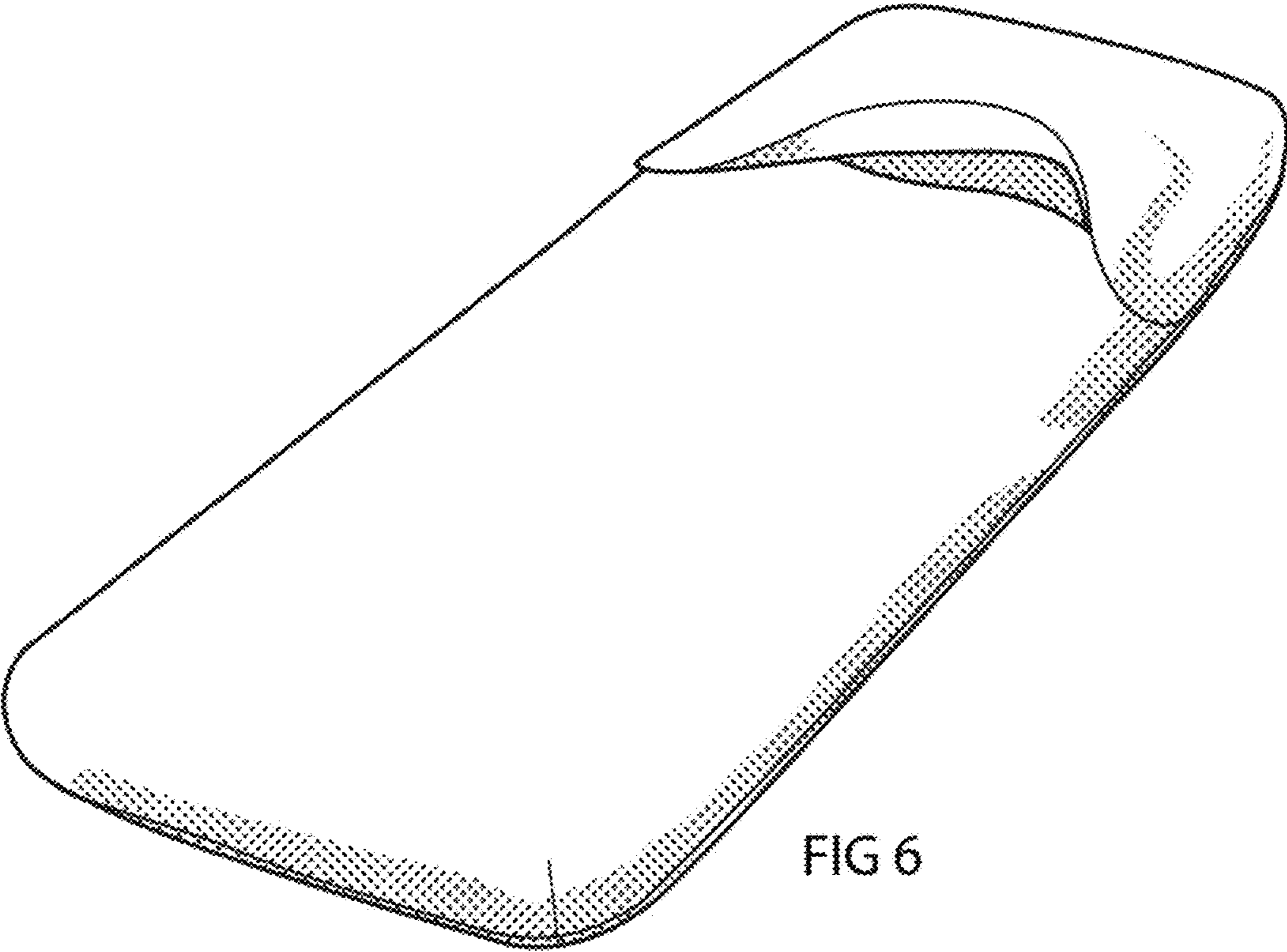


FIG 6

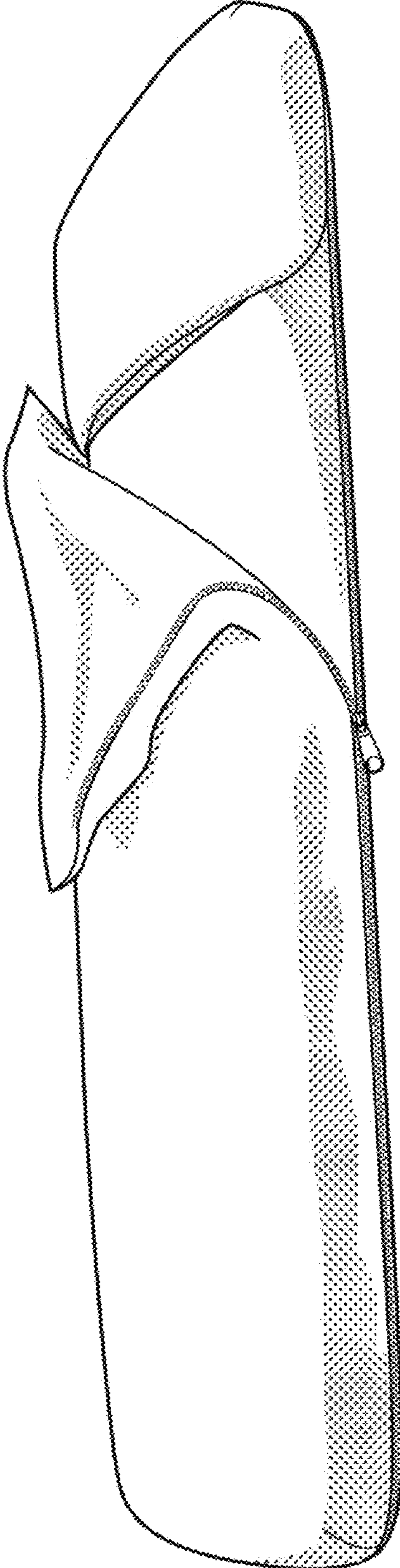


FIG 7

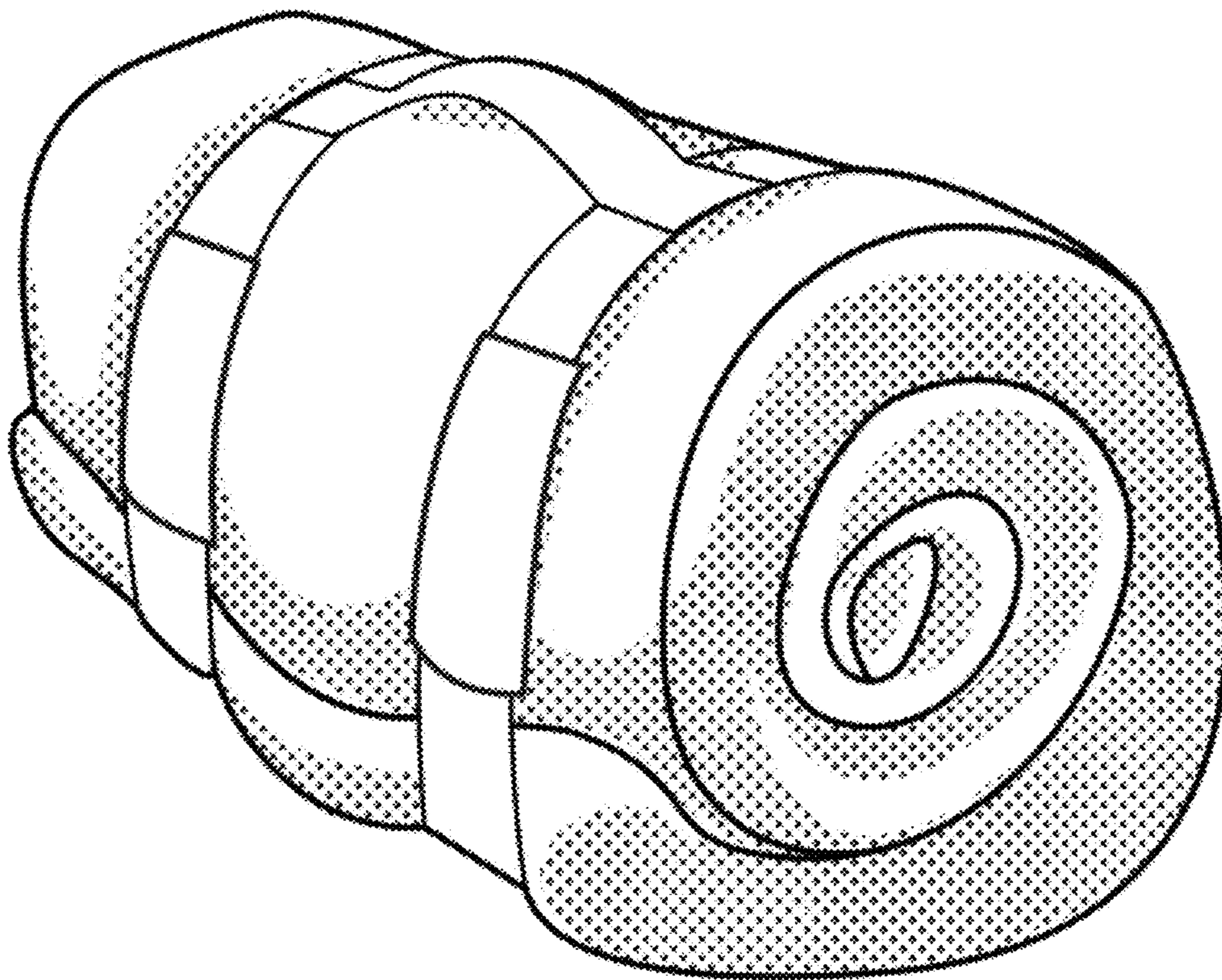


FIG 8