



US00D819923S

(12) **United States Design Patent**  
**Qichen et al.**

(10) **Patent No.:** **US D819,923 S**  
(45) **Date of Patent:** **\*\* Jun. 5, 2018**

- (54) **PALLET TRUCK**
- (71) Applicant: **Big Lift, LLC**, Lombard, IL (US)
- (72) Inventors: **Ma Qichen**, Hangzhou (CN); **Xu Hongpeng**, Hangzhou (CN); **Liu Shunli**, Hanzhou (CN); **Lin Zuqian**, Hangzhou (CN); **Xu Minghui**, Hangzhou (CN)
- (73) Assignee: **BIG LIFT, LLC**, Lombard, IL (US)

D416,369	S *	11/1999	Johansson	.....	D34/28
D419,741	S *	1/2000	Johansson	.....	D34/34
7,988,405	B2 *	8/2011	Ellington	.....	B62B 3/0606 187/237
8,979,099	B1 *	3/2015	Ellis	.....	B66F 9/142 280/43.12
2009/0183953	A1 *	7/2009	Ellington	.....	B62B 3/0606 187/231
2010/0295261	A1 *	11/2010	Ellington	.....	B62B 3/0612 280/43.12

(Continued)

- (\*\*) Term: **15 Years**
- (21) Appl. No.: **29/606,778**
- (22) Filed: **Jun. 7, 2017**

**Related U.S. Application Data**

- (62) Division of application No. 29/565,791, filed on May 24, 2016, now Pat. No. Des. 802,243.
- (51) **LOC (11) Cl.** ..... **12-05**
- (52) **U.S. Cl.**  
USPC ..... **D34/34**
- (58) **Field of Classification Search**  
USPC ..... 180/299, 315, 325, 89.12; 187/222, 224, 187/231, 237, 238, 414; 280/43.12, 638, 280/87.041; 414/2, 7, 572, 592, 631, 414/664, 679, 685, 668; D34/12, 16, 17, D34/21, 23, 24, 25, 28, 34, 35, 38; 254/2 R  
CPC ... B62B 3/0612; B62B 3/0618; B62B 5/0069; B62B 2203/20; B62B 5/0438; B66F 9/12; B66F 9/22; B66F 9/085; B66F 9/186  
See application file for complete search history.

(56) **References Cited**

**U.S. PATENT DOCUMENTS**

- 4,589,669 A \* 5/1986 Kedem ..... B62B 3/0618  
254/2 R
- D401,716 S \* 11/1998 Marcel ..... D34/34

**OTHER PUBLICATIONS**

bigjoeforklifts "E25 eJack", [http://www.bigjoeforklifts.com/pallet\\_trucks\\_e25.html](http://www.bigjoeforklifts.com/pallet_trucks_e25.html). Sep. 11, 2017. shown in p. 1, Item # E25.\*

*Primary Examiner* — Cynthia Ramirez

*Assistant Examiner* — Michael A Maharajh

(74) *Attorney, Agent, or Firm* — Cook Alex Ltd.

(57) **CLAIM**

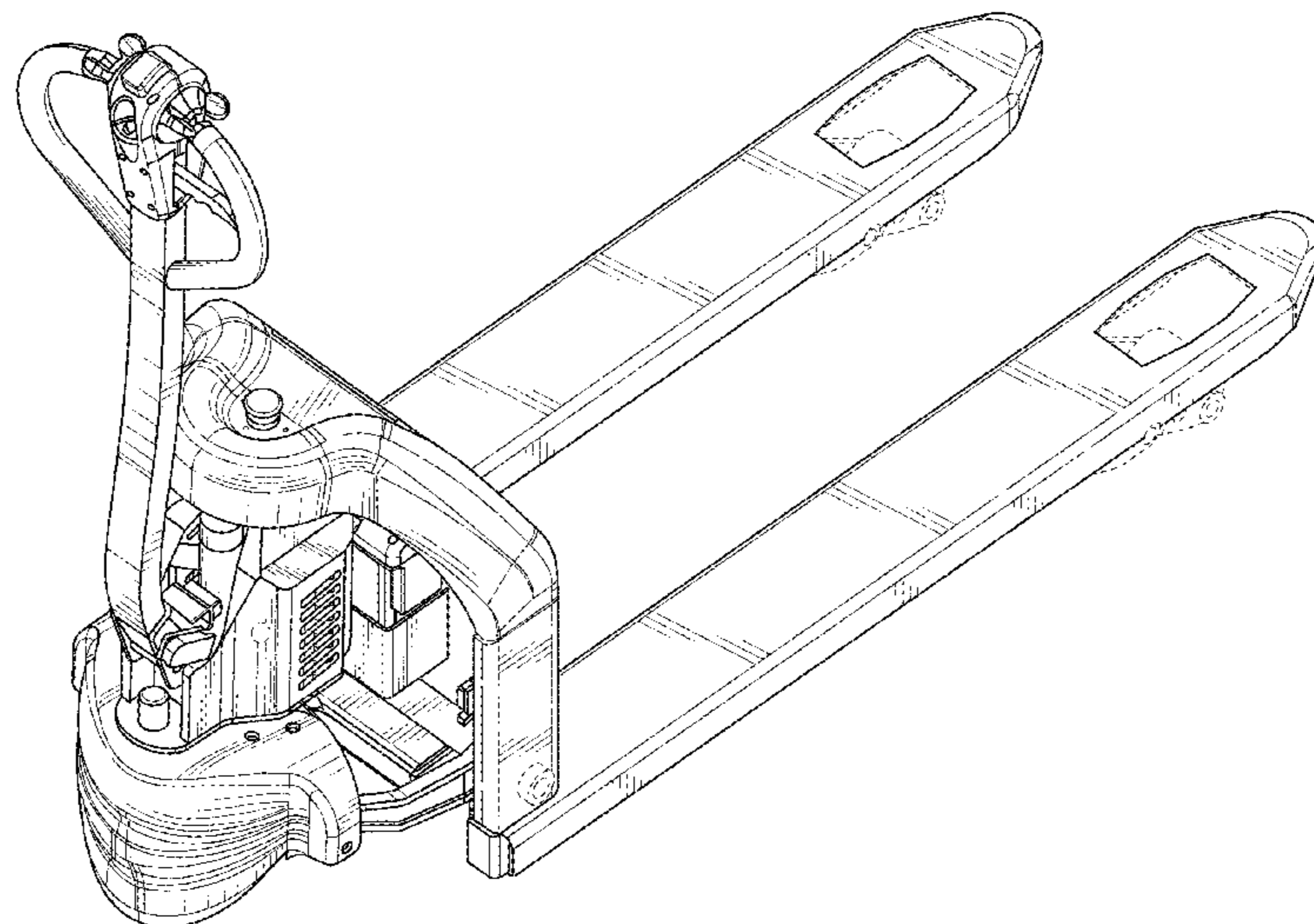
We claim the ornamental design for a pallet truck, as shown and described.

**DESCRIPTION**

FIG. 1 is a rear right perspective view of a pallet truck showing our new design;  
 FIG. 2 is a front right perspective view thereof;  
 FIG. 3 is a front left perspective view thereof;  
 FIG. 4 is a rear left perspective view thereof;  
 FIG. 5 is a rear elevational view thereof;  
 FIG. 6 is a right side elevational view thereof;  
 FIG. 7 is a front elevational view thereof;  
 FIG. 8 is a left side elevational view thereof;  
 FIG. 9 is a top plan view thereof; and,  
 FIG. 10 is a bottom plan view thereof.

The broken lines in the drawings are included for the purpose of illustrating portions of the pallet truck and form no part of the claimed design.

**1 Claim, 10 Drawing Sheets**



(56)

**References Cited**

U.S. PATENT DOCUMENTS

2013/0153840 A1\* 6/2013 Feiquan ..... B66F 9/065  
254/2 R

\* cited by examiner

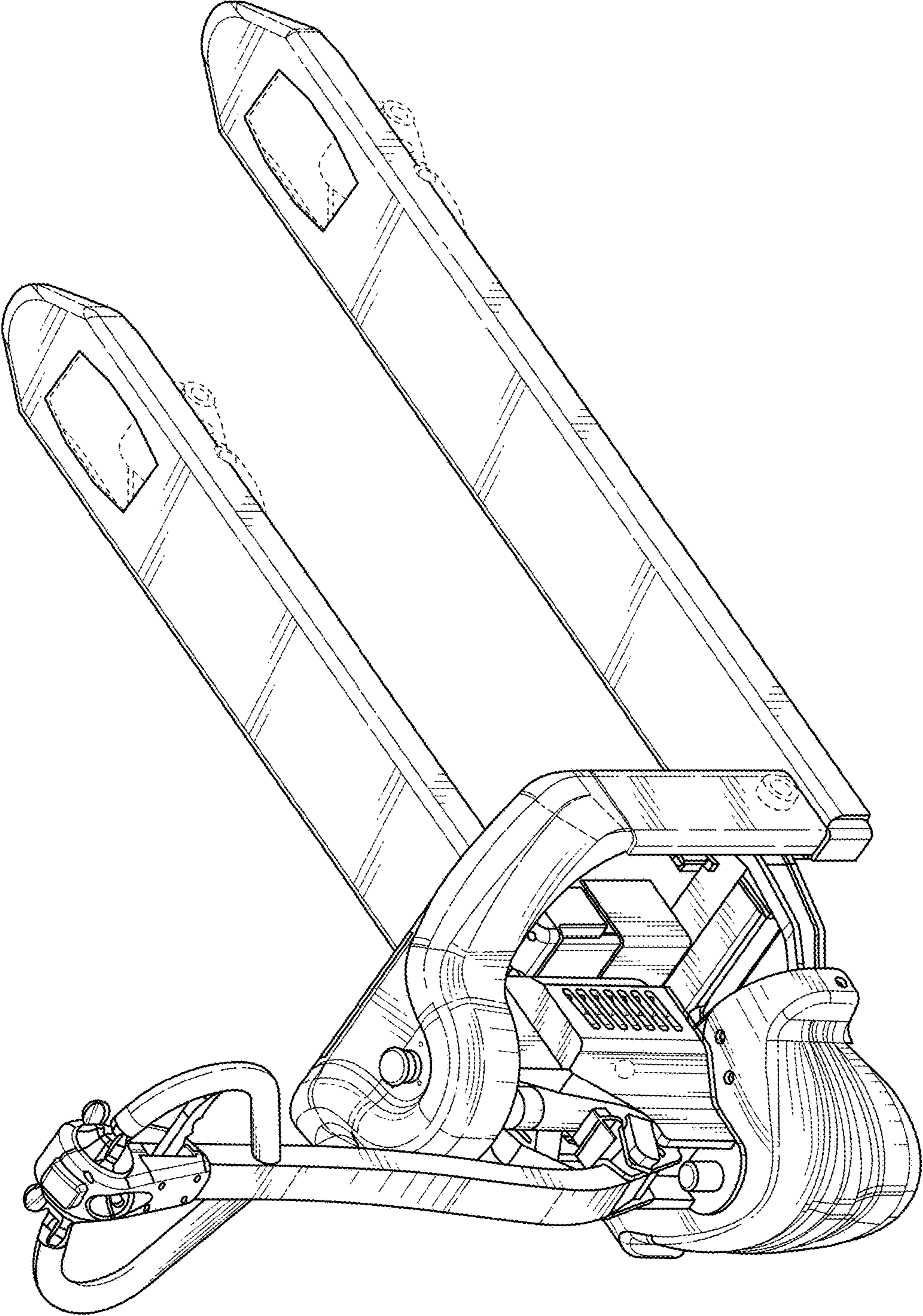


FIG. 1

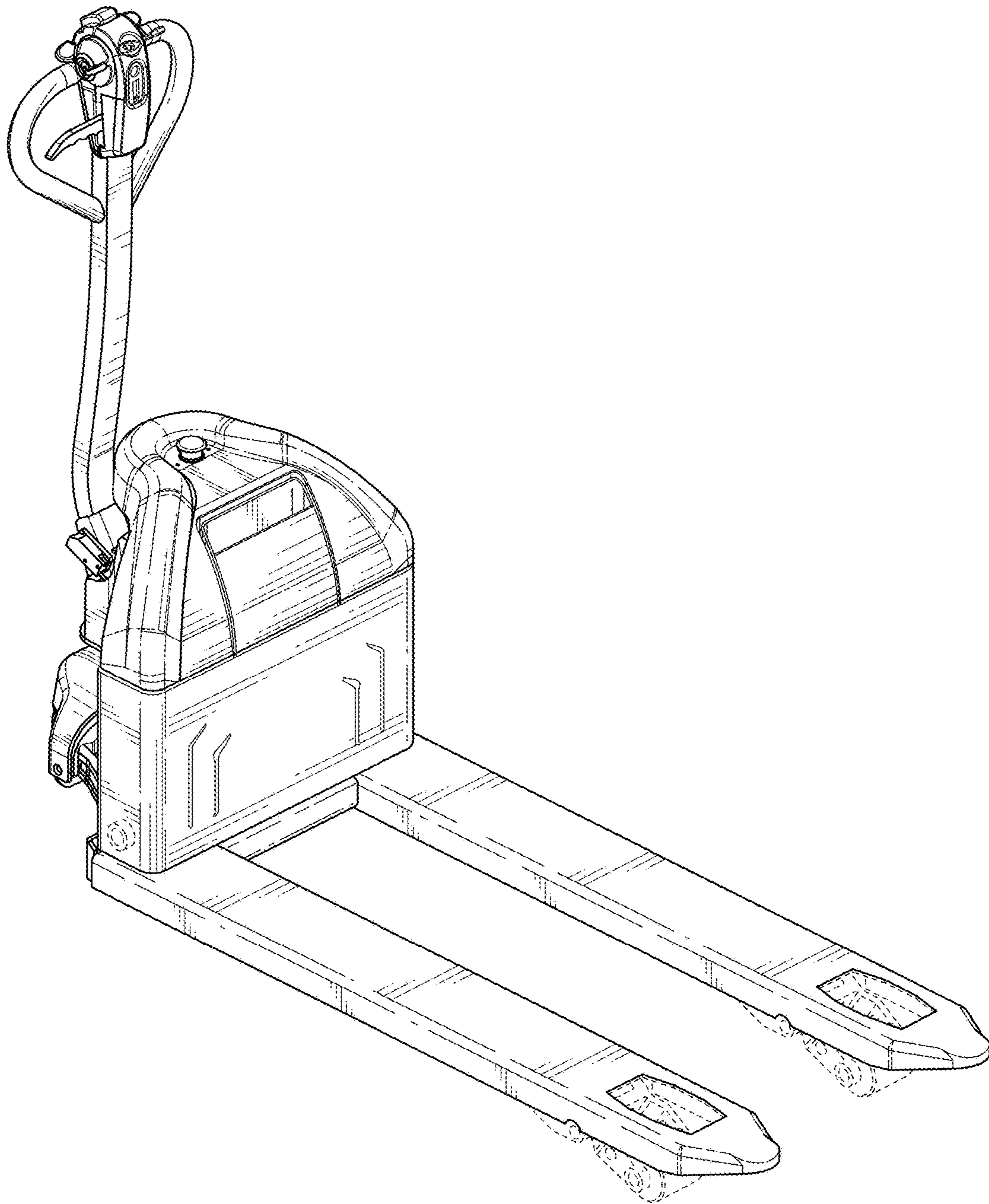


FIG. 2

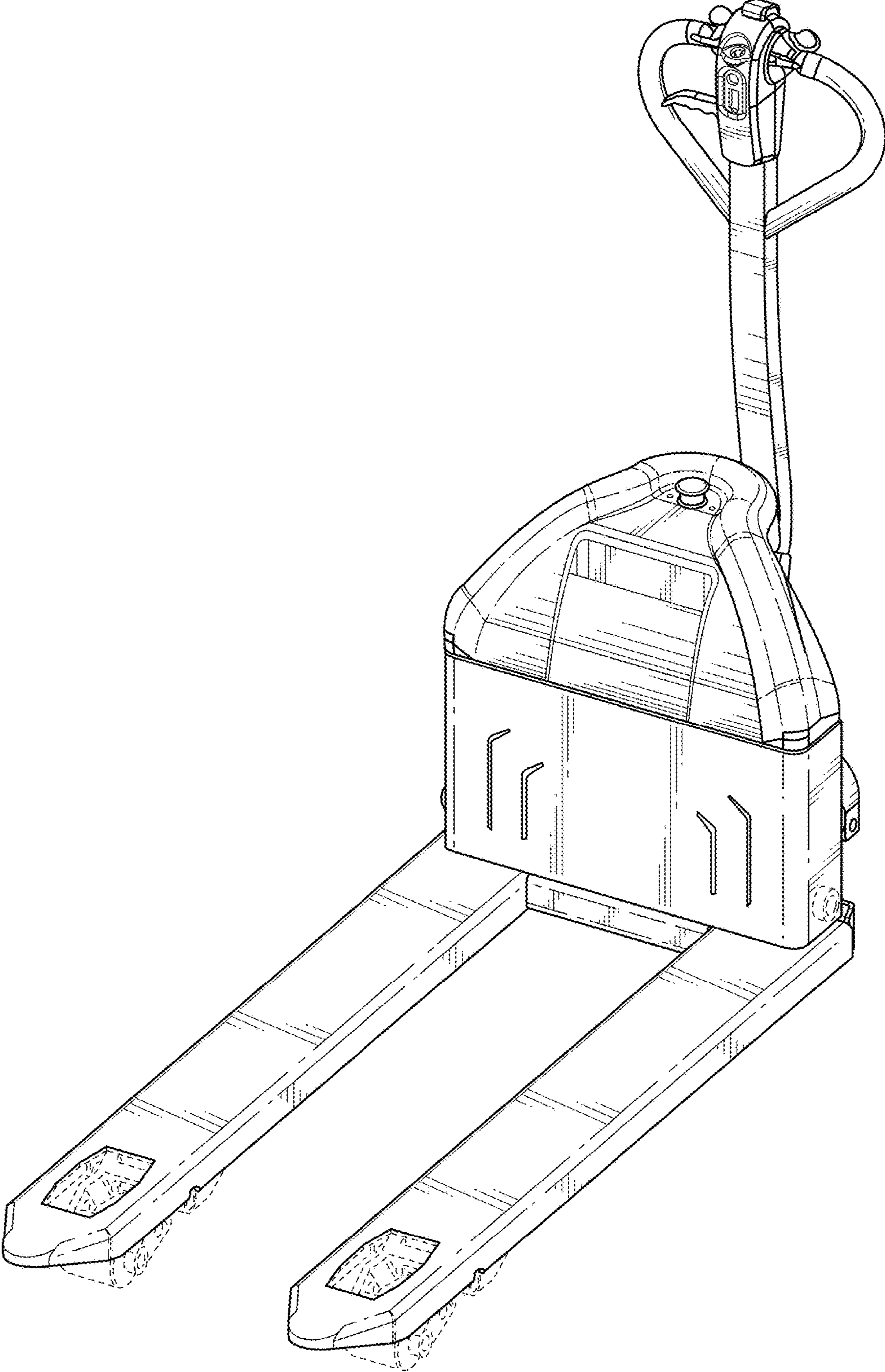


FIG. 3

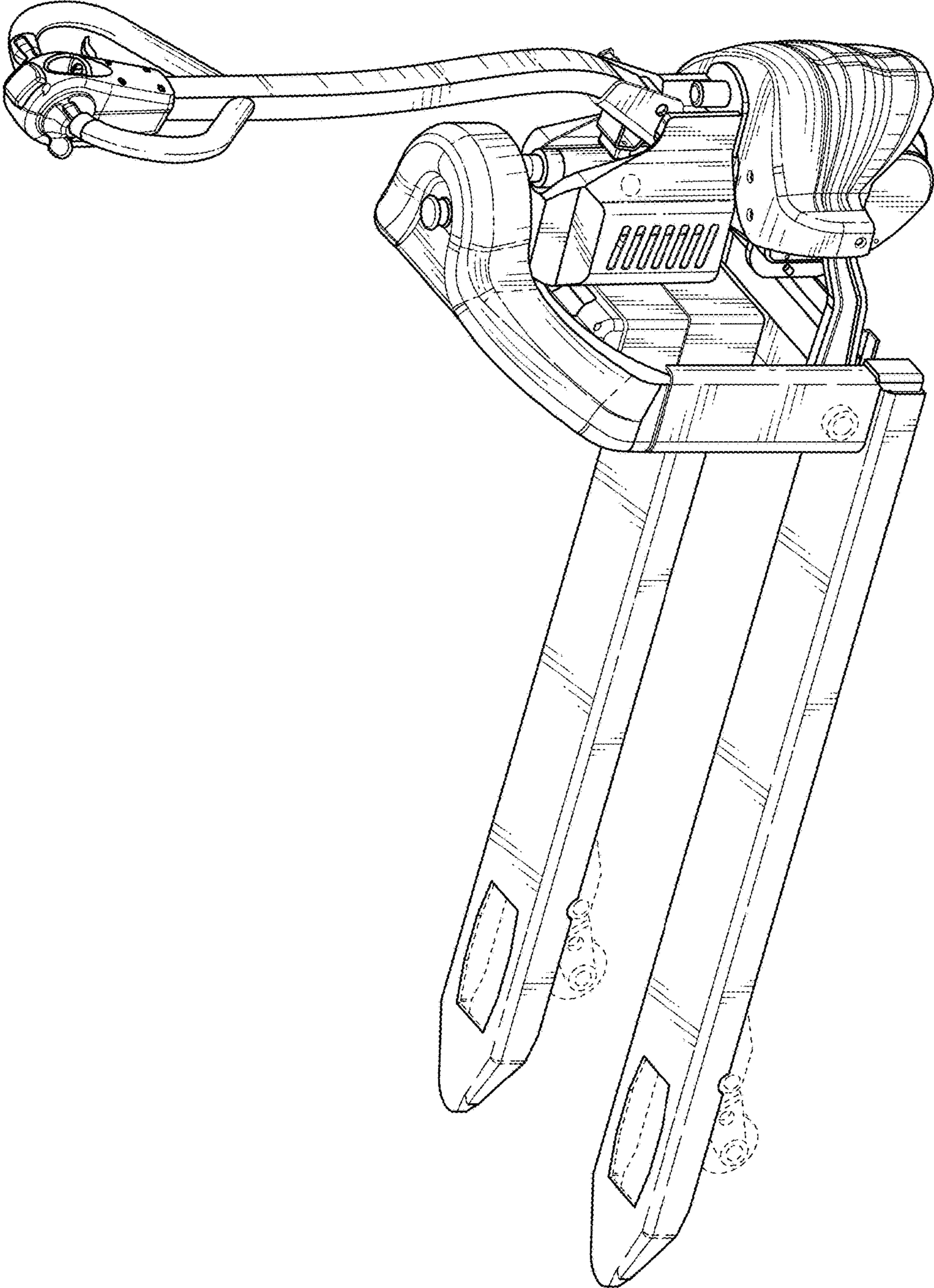


FIG. 4

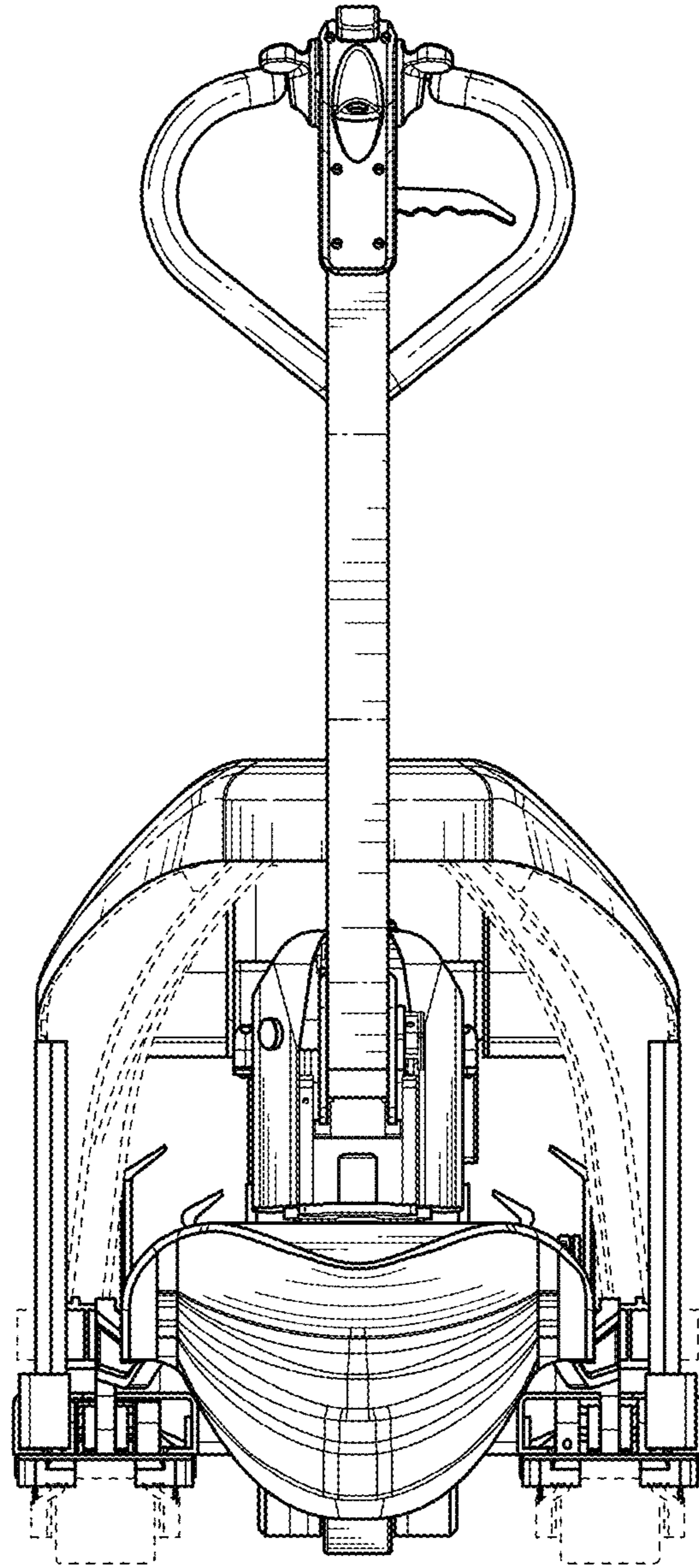


FIG. 5

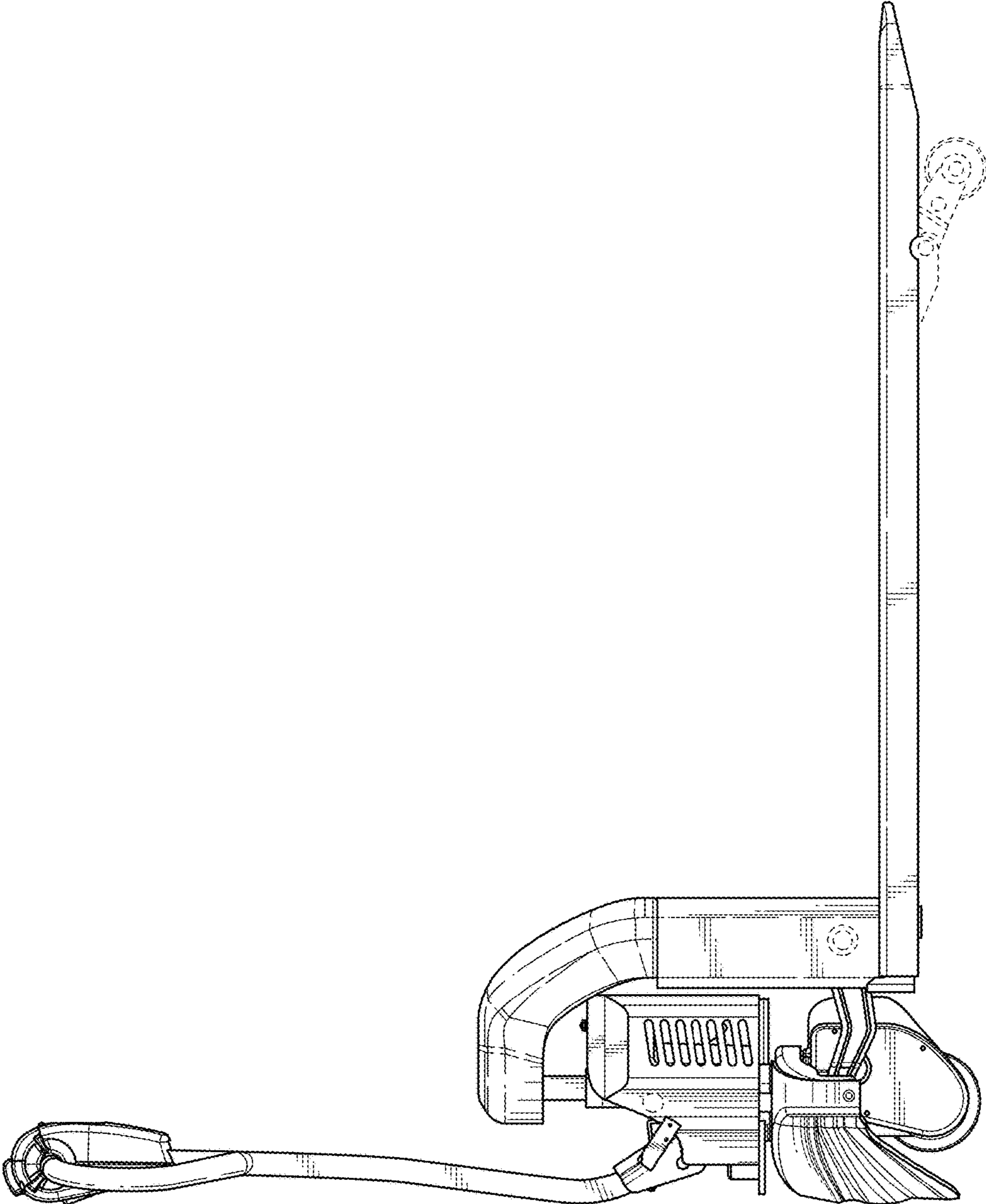


FIG. 6



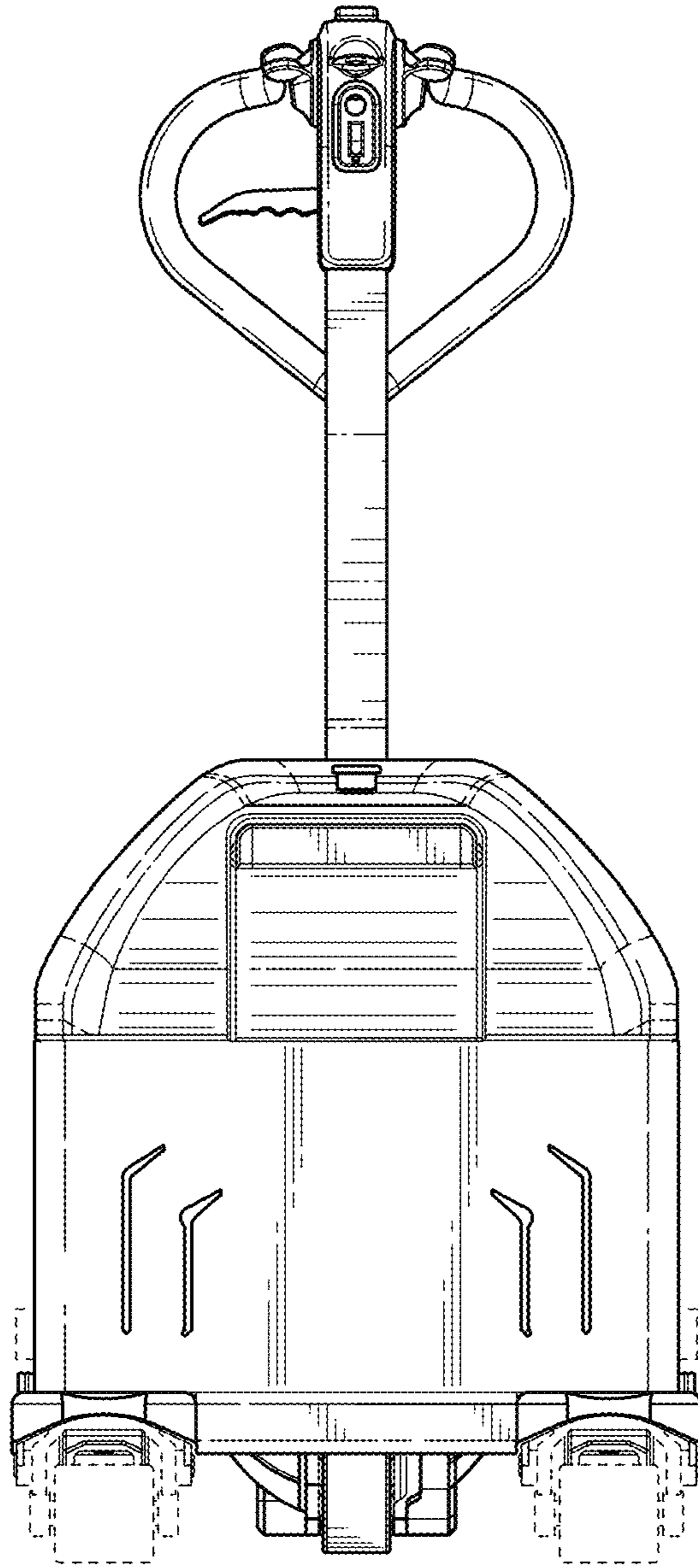


FIG. 7

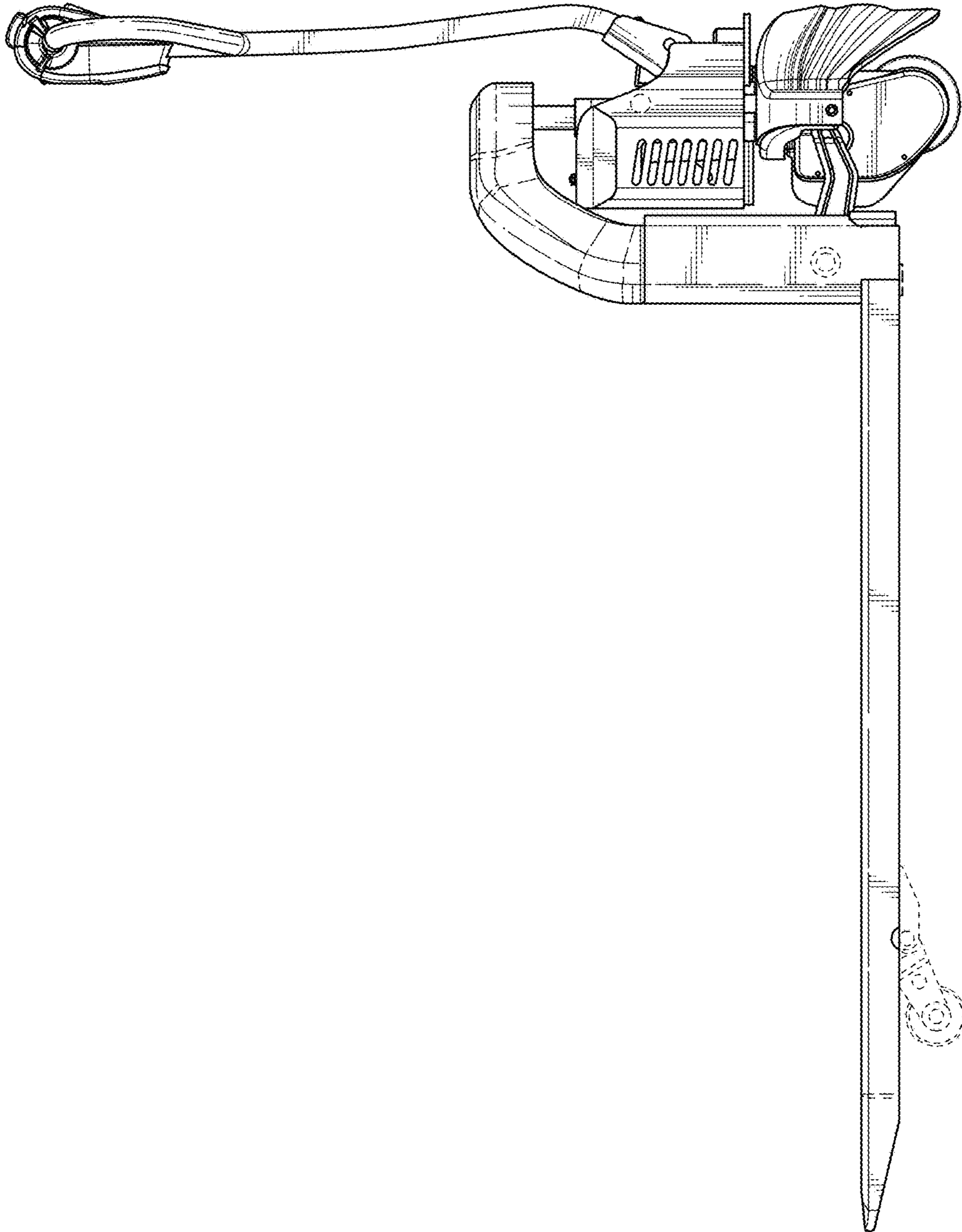


FIG. 8

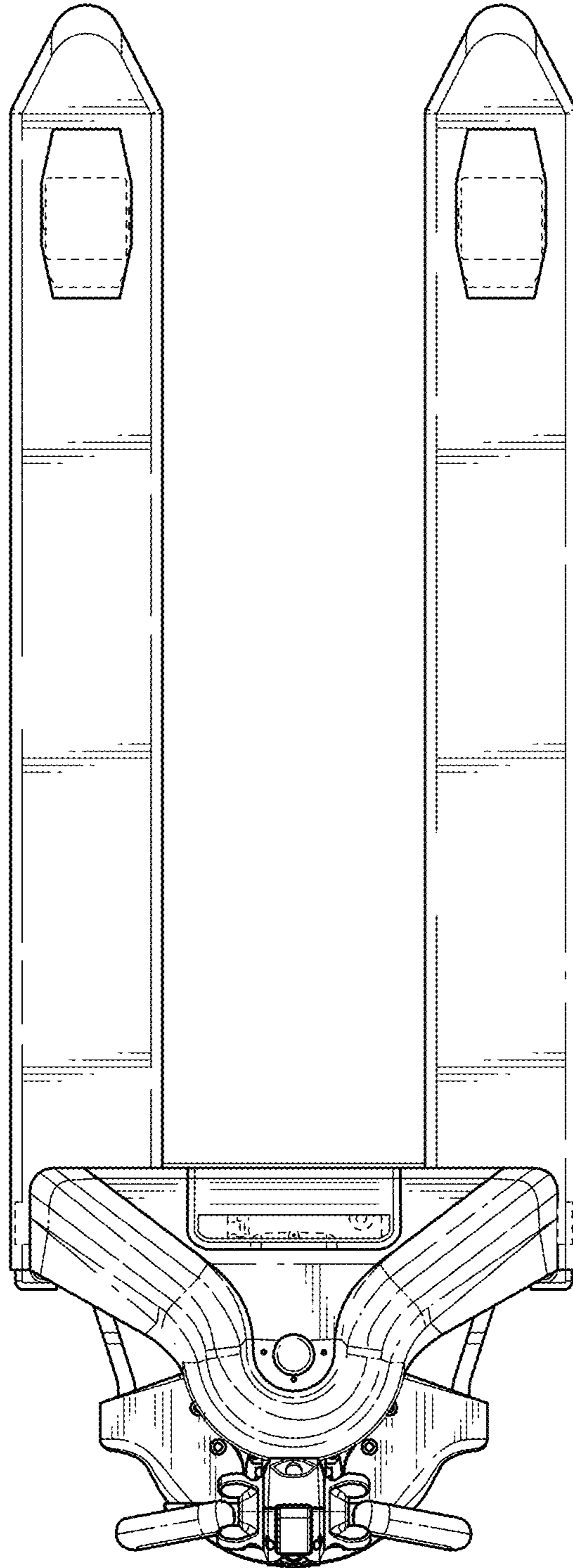


FIG. 9

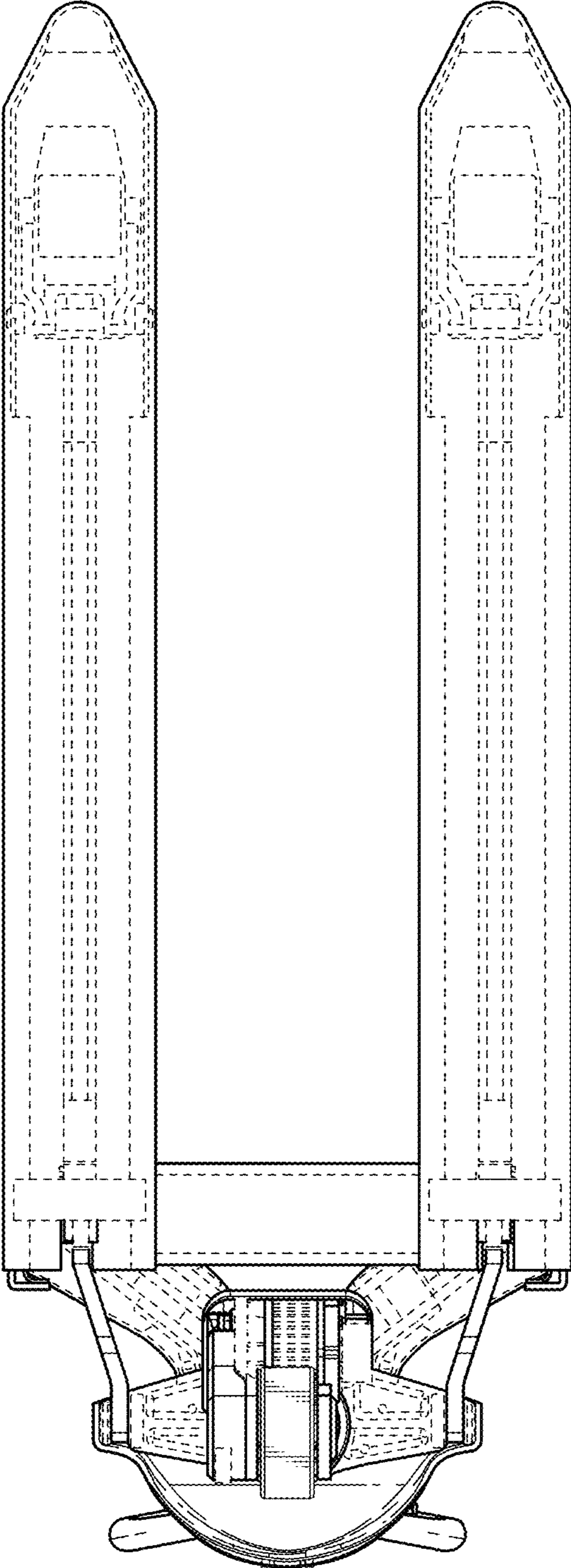


FIG. 10