



US00D819922S

(12) **United States Design Patent**
Bernard

(10) **Patent No.:** **US D819,922 S**
(45) **Date of Patent:** **** Jun. 5, 2018**

(54) **HOIST**
(71) Applicant: **Konecranes Global Corporation,**
Hyvinkää (FI)
(72) Inventor: **Loïc Bernard,** Verigny (FR)
(73) Assignee: **Konecranes Global Corporation,**
Hyvinkää (FI)
(**) Term: **15 Years**

D679,474 S * 4/2013 Beaussart D34/33
D705,515 S * 5/2014 Bernard D34/33
D706,514 S * 6/2014 Weingartner D34/33
D744,188 S * 11/2015 van der Zijde D34/33
D764,139 S * 8/2016 Tsai D34/33

* cited by examiner

Primary Examiner — Cynthia Ramirez

Assistant Examiner — Gino Colan

(74) *Attorney, Agent, or Firm* — Banner & Witcoff, Ltd.

(21) Appl. No.: **29/592,443**

(22) Filed: **Jan. 30, 2017**

(30) **Foreign Application Priority Data**

Sep. 26, 2016 (EM) 003395078

(51) **LOC (11) Cl.** **12-05**

(52) **U.S. Cl.**
USPC **D34/33**

(58) **Field of Classification Search**
USPC D34/28, 33, 35; 254/266, 362, 382;
248/339; D12/162
CPC B66D 1/46; B66D 1/36; B66D 1/7489;
B66D 1/12; B66D 1/20; B66D 1/30;
B66D 1/485

See application file for complete search history.

(56) **References Cited**

U.S. PATENT DOCUMENTS

D674,163 S * 1/2013 Tarkiainen D34/33
D677,853 S * 3/2013 Gans D34/33

(57) **CLAIM**

The ornamental design for a hoist, as shown and described.

DESCRIPTION

FIG. 1 is a front perspective view of a hoist showing my new design;

FIG. 2 is a front view thereof;

FIG. 3 is a rear view thereof;

FIG. 4 is a right side view thereof;

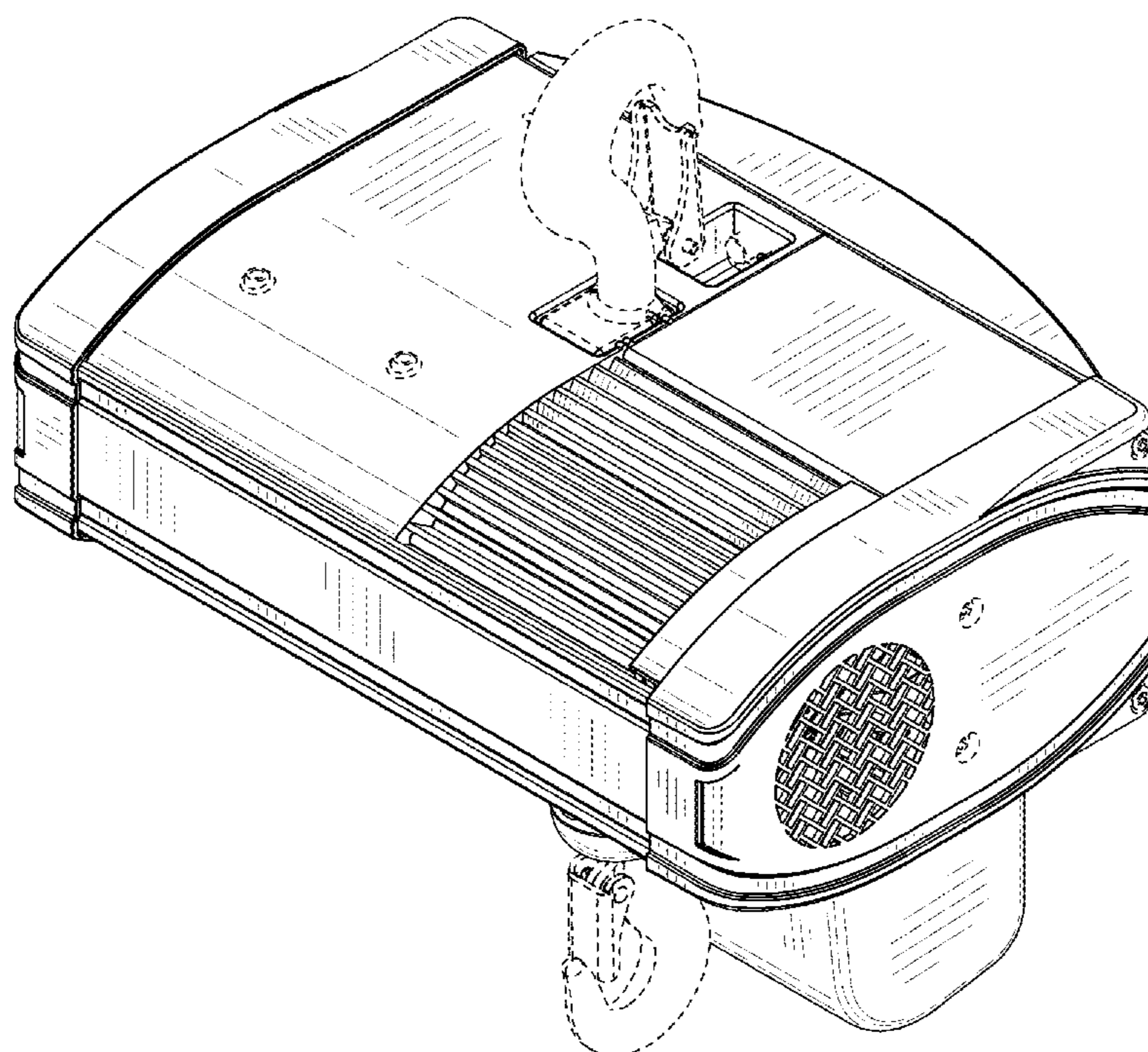
FIG. 5 is a left side view thereof;

FIG. 6 is a top view thereof; and,

FIG. 7 is a bottom view thereof.

The broken line showing of the various unshaded elements of the hoist represents unclaimed subject matter and forms no part of the claimed design.

1 Claim, 7 Drawing Sheets



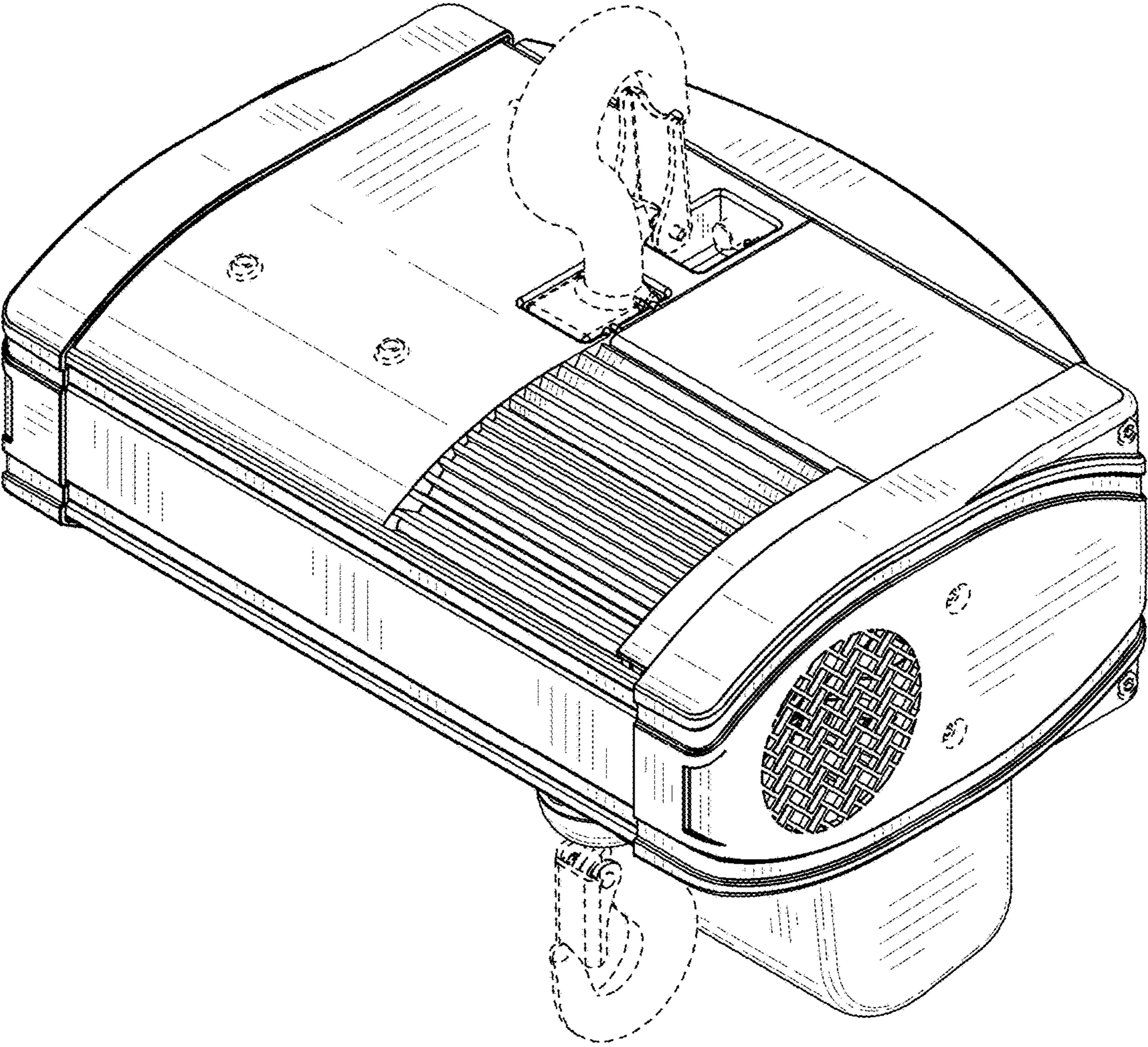


FIG. 1

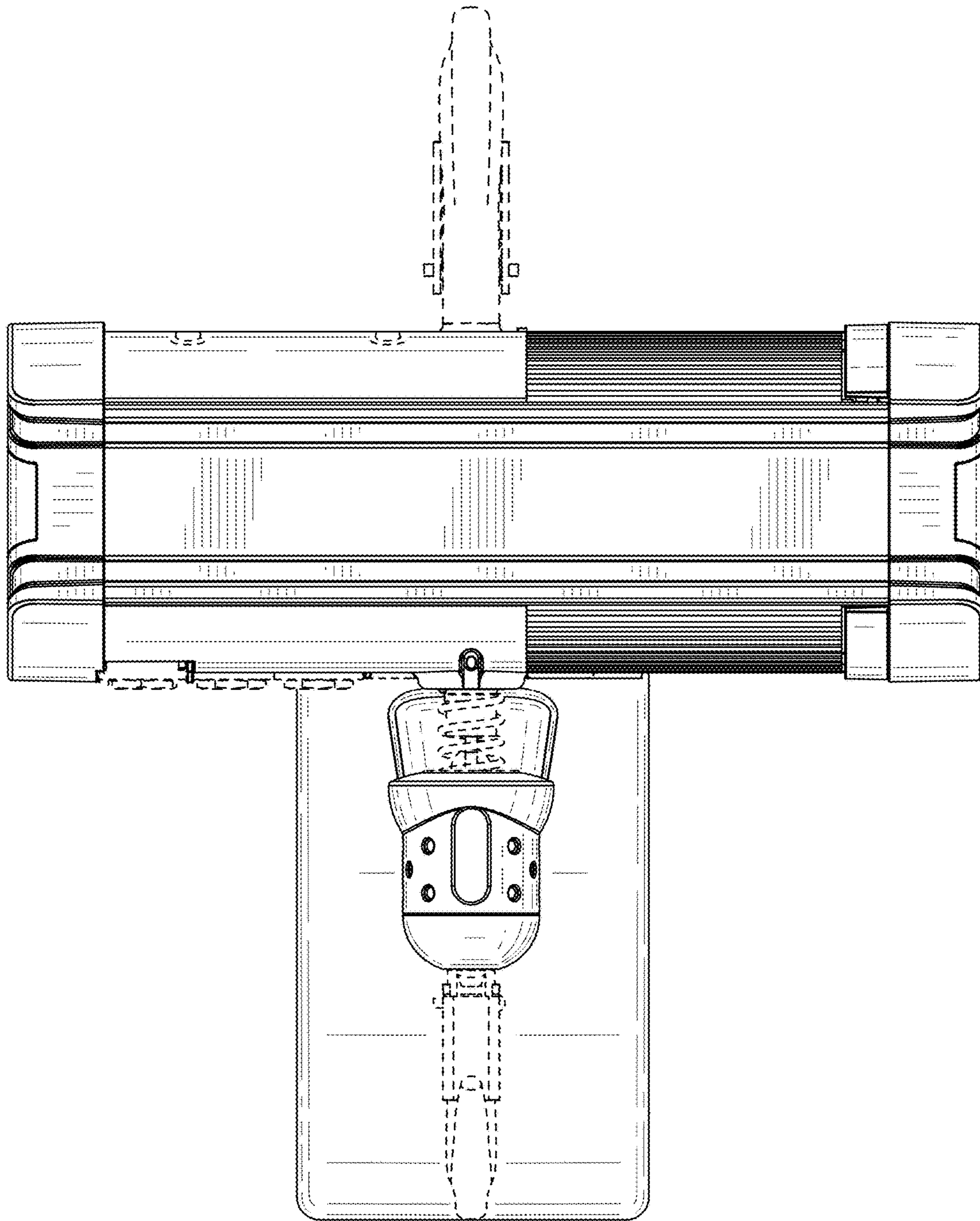


FIG. 2

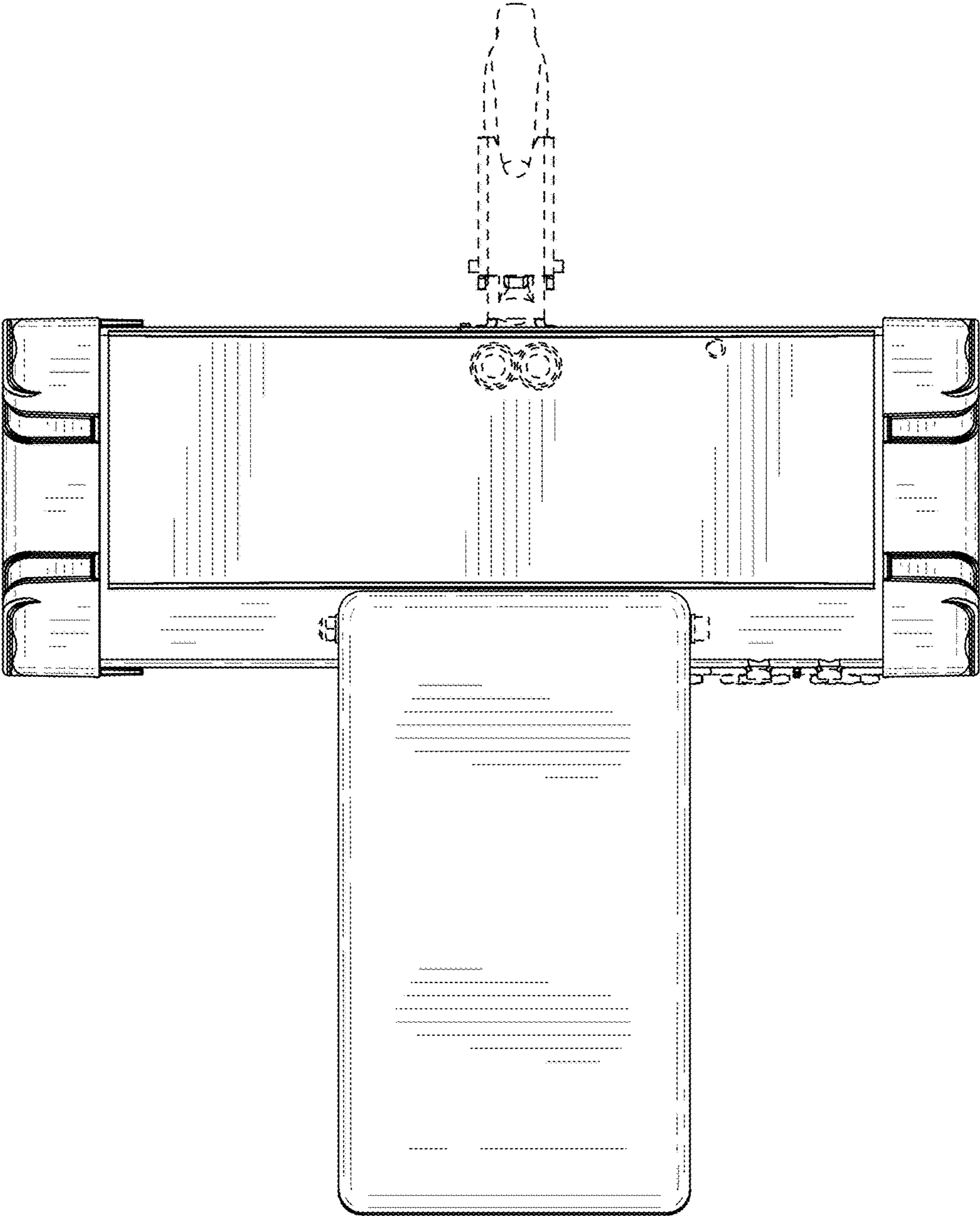


FIG. 3

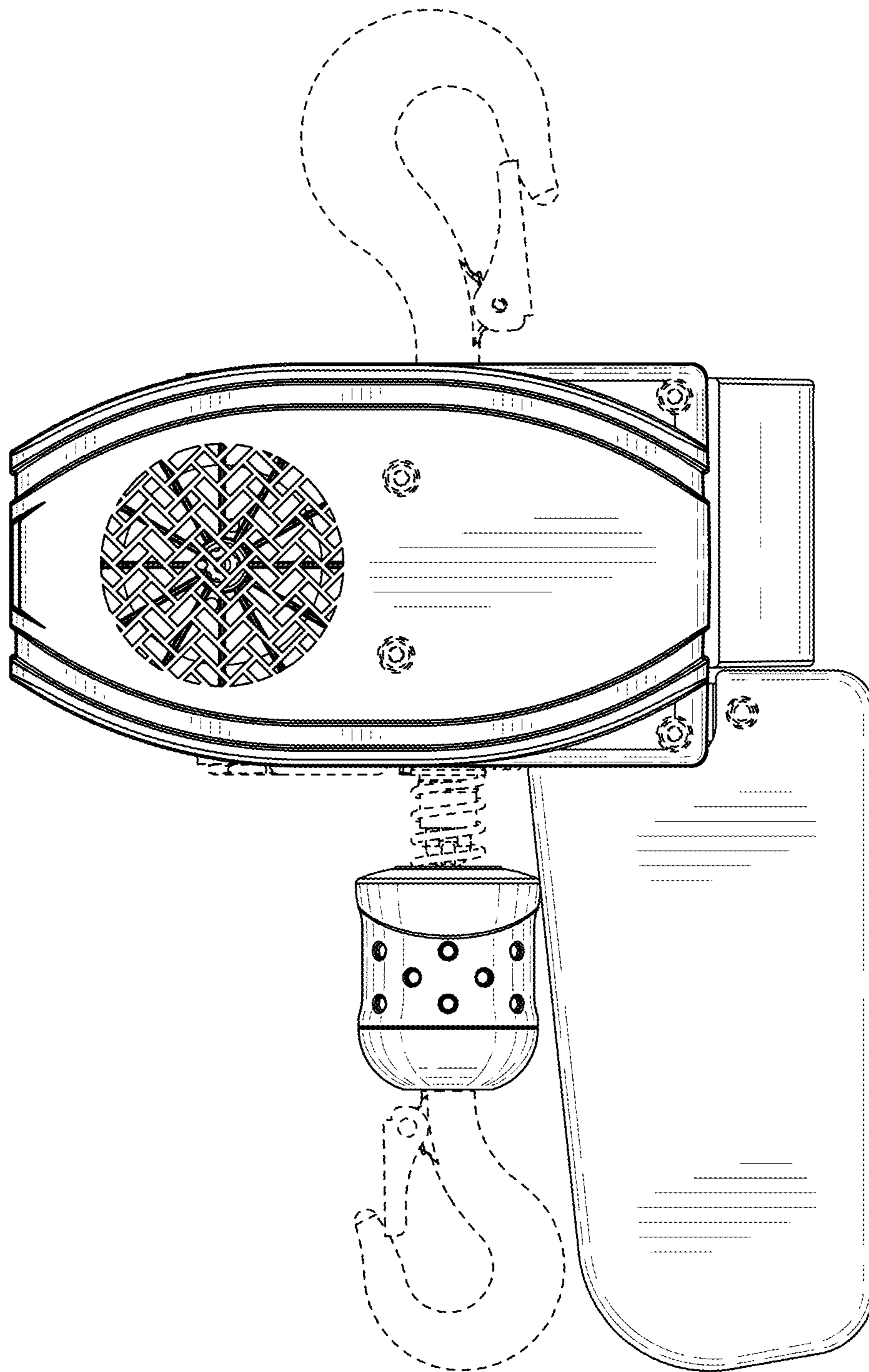


FIG. 4

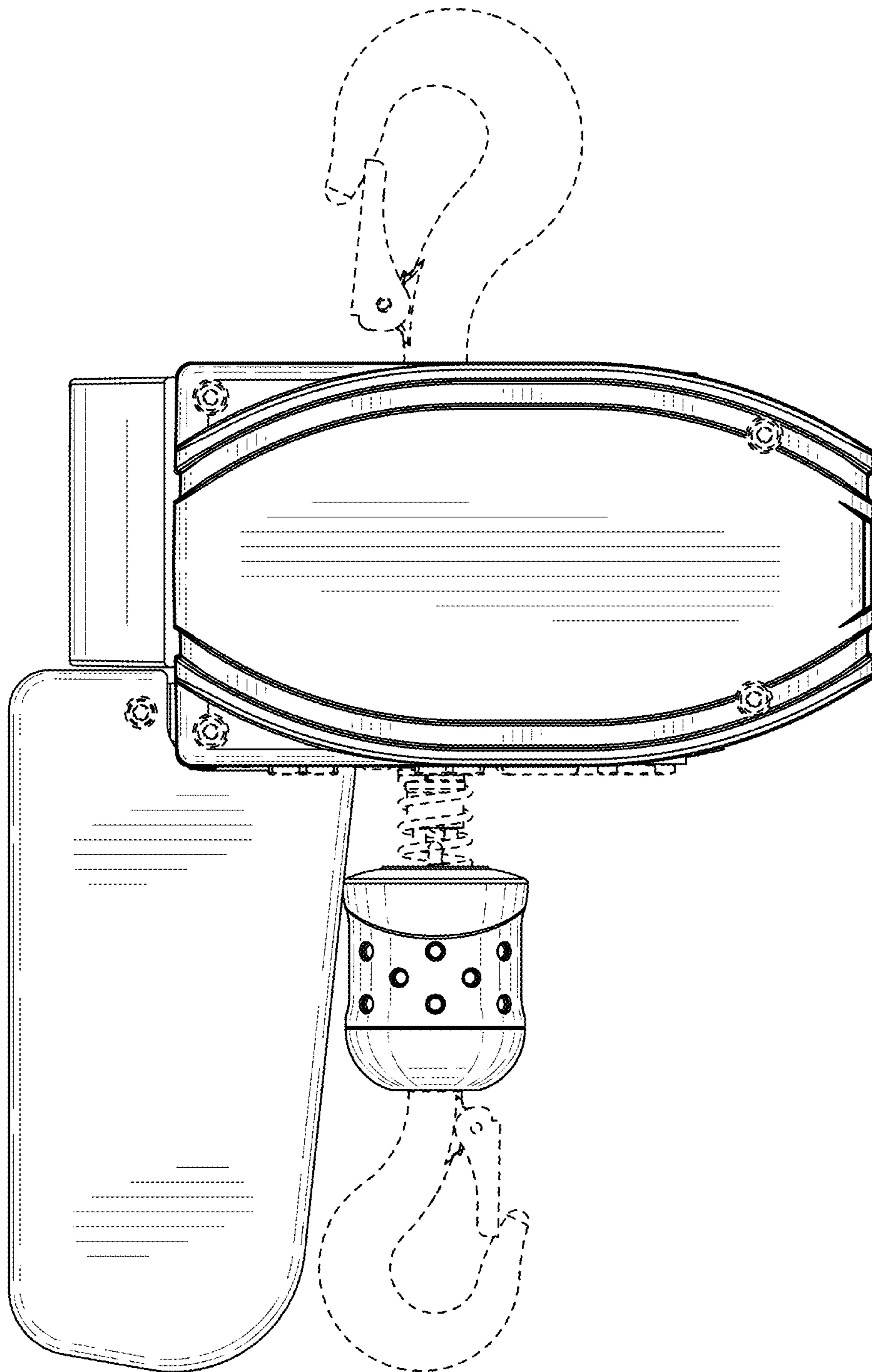


FIG. 5

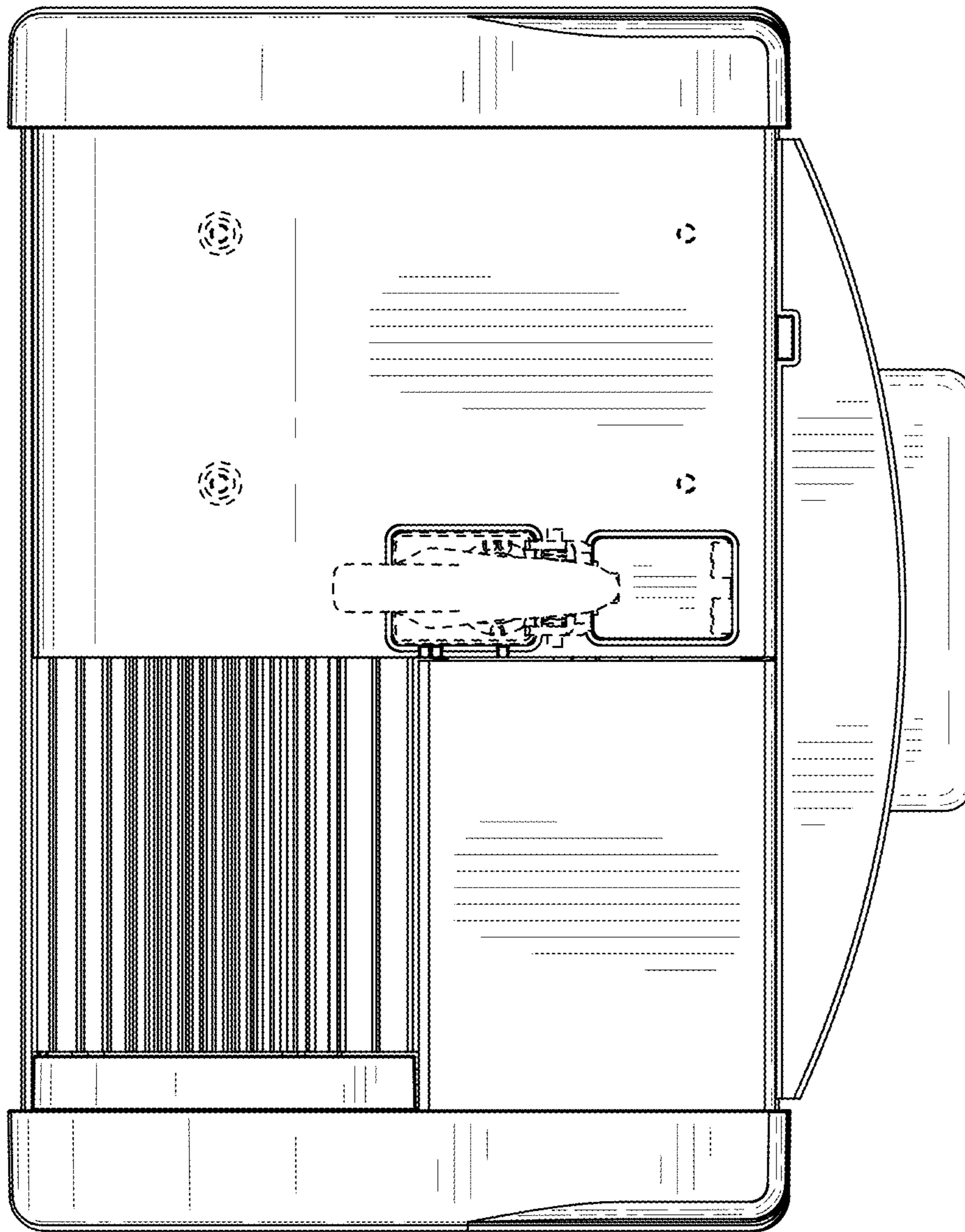


FIG. 6

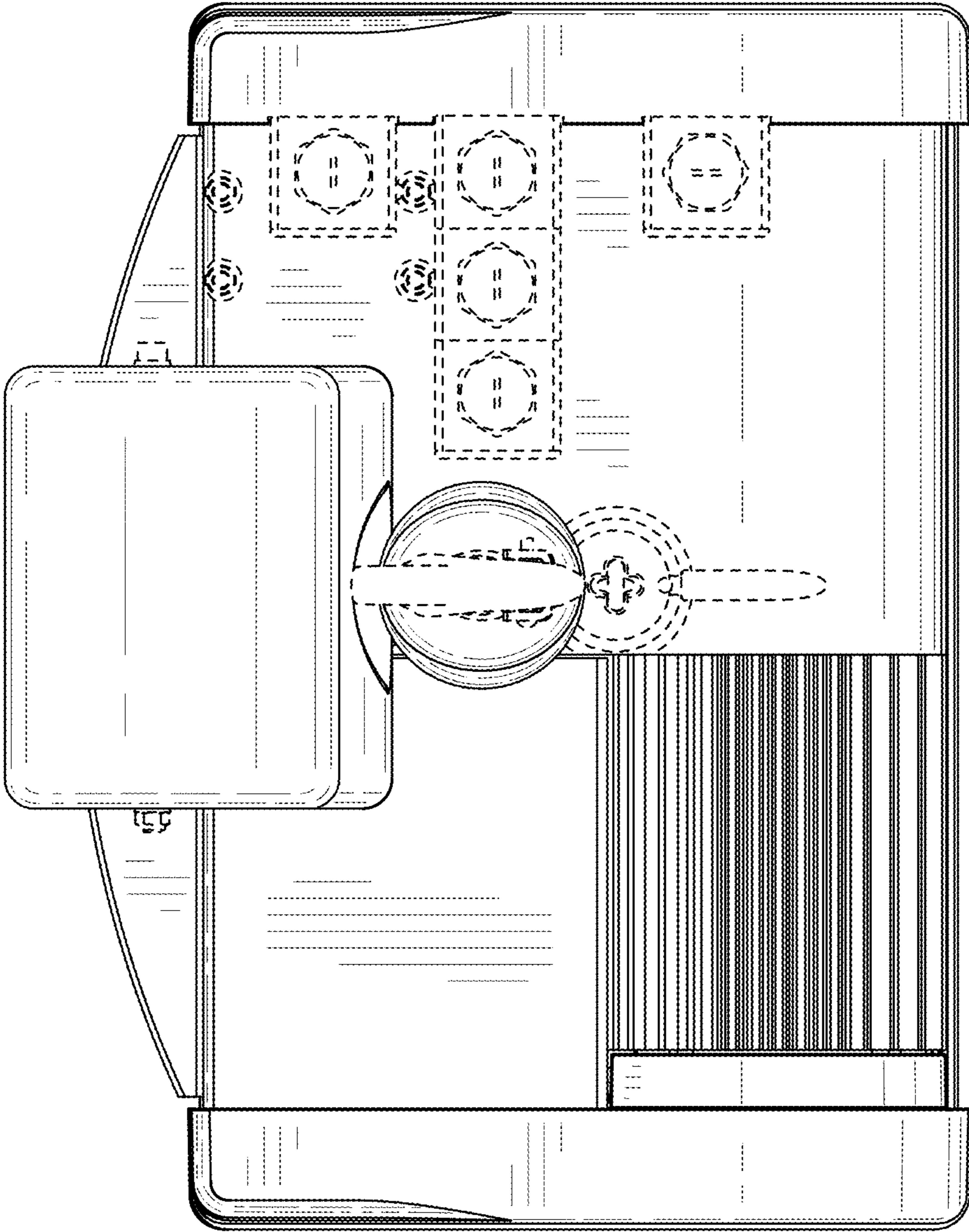


FIG. 7