



US00D819920S

(12) **United States Design Patent**
Friesen

(10) **Patent No.:** **US D819,920 S**

(45) **Date of Patent:** **** Jun. 5, 2018**

(54) **PORTABLE DRIVE-OVER CONVEYOR**

(71) Applicant: **FB Industries Inc.**, Winkler (CA)

(72) Inventor: **Henry Friesen**, Winkler (CA)

(73) Assignee: **FB Industries Inc.**, Winkler (CA)

(**) Term: **15 Years**

(21) Appl. No.: **29/561,415**

(22) Filed: **Apr. 15, 2016**

(51) **LOC (11) Cl.** **12-05**

(52) **U.S. Cl.**
USPC **D34/28**

(58) **Field of Classification Search**
USPC 414/499, 502, 507, 529, 537, 572;
198/300, 303, 312, 316.1, 339.1, 840,
198/841; D34/28, 29
CPC B65G 47/16; B65G 47/58
See application file for complete search history.

(56) **References Cited**

U.S. PATENT DOCUMENTS

3,993,207	A *	11/1976	Jones	B60P 1/025 D34/28
D283,266	S *	4/1986	Brandt	D34/29
4,629,390	A *	12/1986	Burke	B60P 1/38 15/256.5
D321,269	S *	10/1991	Skaugen	D34/28
8,408,377	B2 *	4/2013	Werlinger	B65G 21/14 198/312
9,663,303	B2 *	5/2017	Waldner	B65G 41/002

2003/0010600	A1 *	1/2003	Speers	B65G 41/005 198/300
2007/0089966	A1 *	4/2007	Gausman	B65G 47/18 198/311
2016/0052732	A1 *	2/2016	Toews	B65G 47/18 198/302
2016/0221761	A1 *	8/2016	Walder	B65G 17/126

* cited by examiner

Primary Examiner — Cynthia Ramirez

Assistant Examiner — Michael A Maharajh

(74) *Attorney, Agent, or Firm* — Ryan W. Dupuis; Ade & Company Inc.; Kyle R. Satterthwaite

(57) **CLAIM**

The ornamental design for a portable drive-over conveyor, as shown and described.

DESCRIPTION

FIG. 1 is a front isometric view of the portable drive-over conveyor showing my new design.

FIG. 2 is a front elevational view shown at a larger scale thereof.

FIG. 3 is a rear elevational view shown at a larger scale thereof.

FIG. 4 is a left side elevational view thereof.

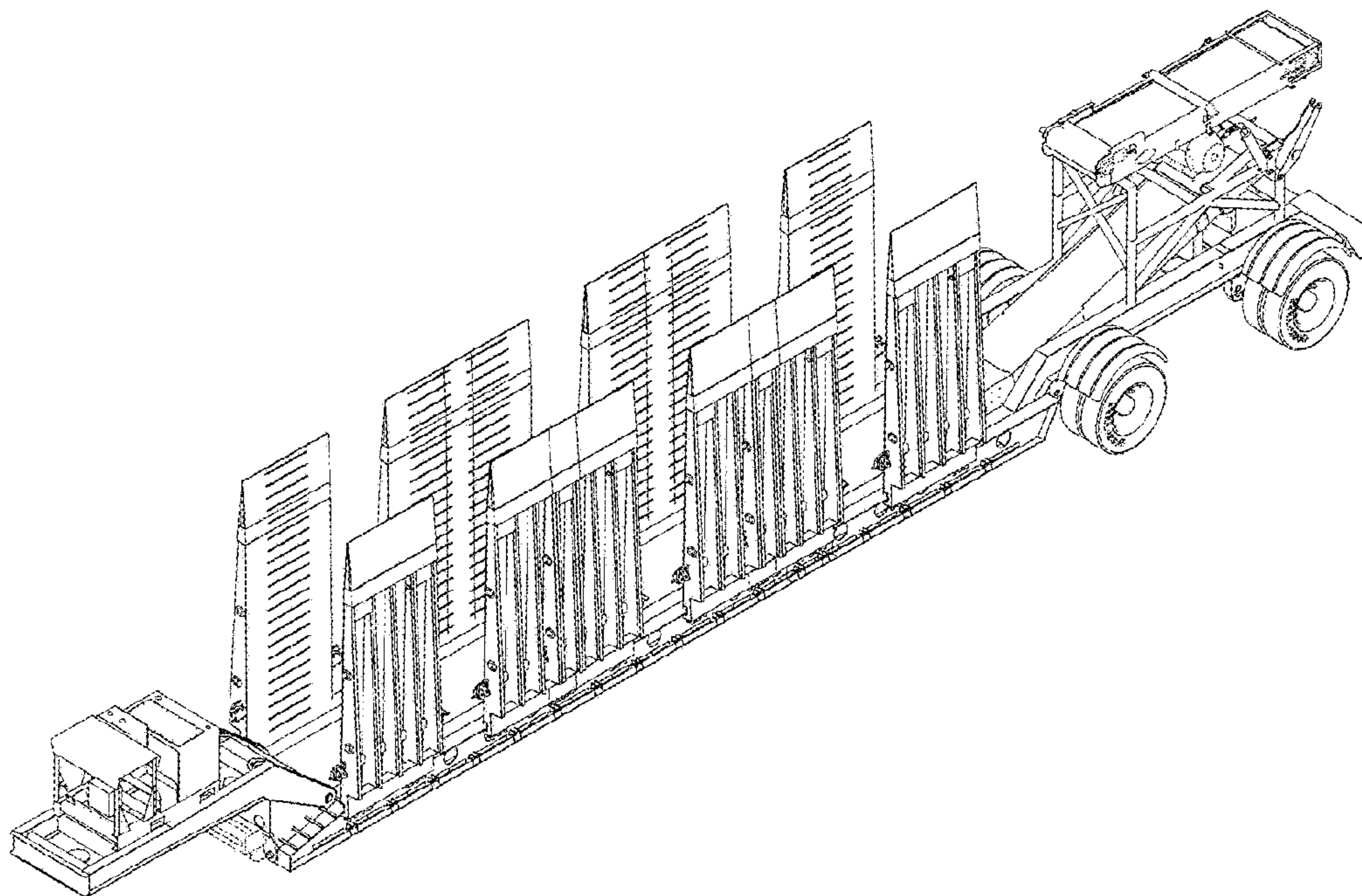
FIG. 5 is a right side elevational view thereof.

FIG. 6 is a top plan view thereof; and,

FIG. 7 is a bottom plan view thereof.

The portions of the portable drive-over conveyor shown in broken line form no part of the claimed design.

1 Claim, 7 Drawing Sheets



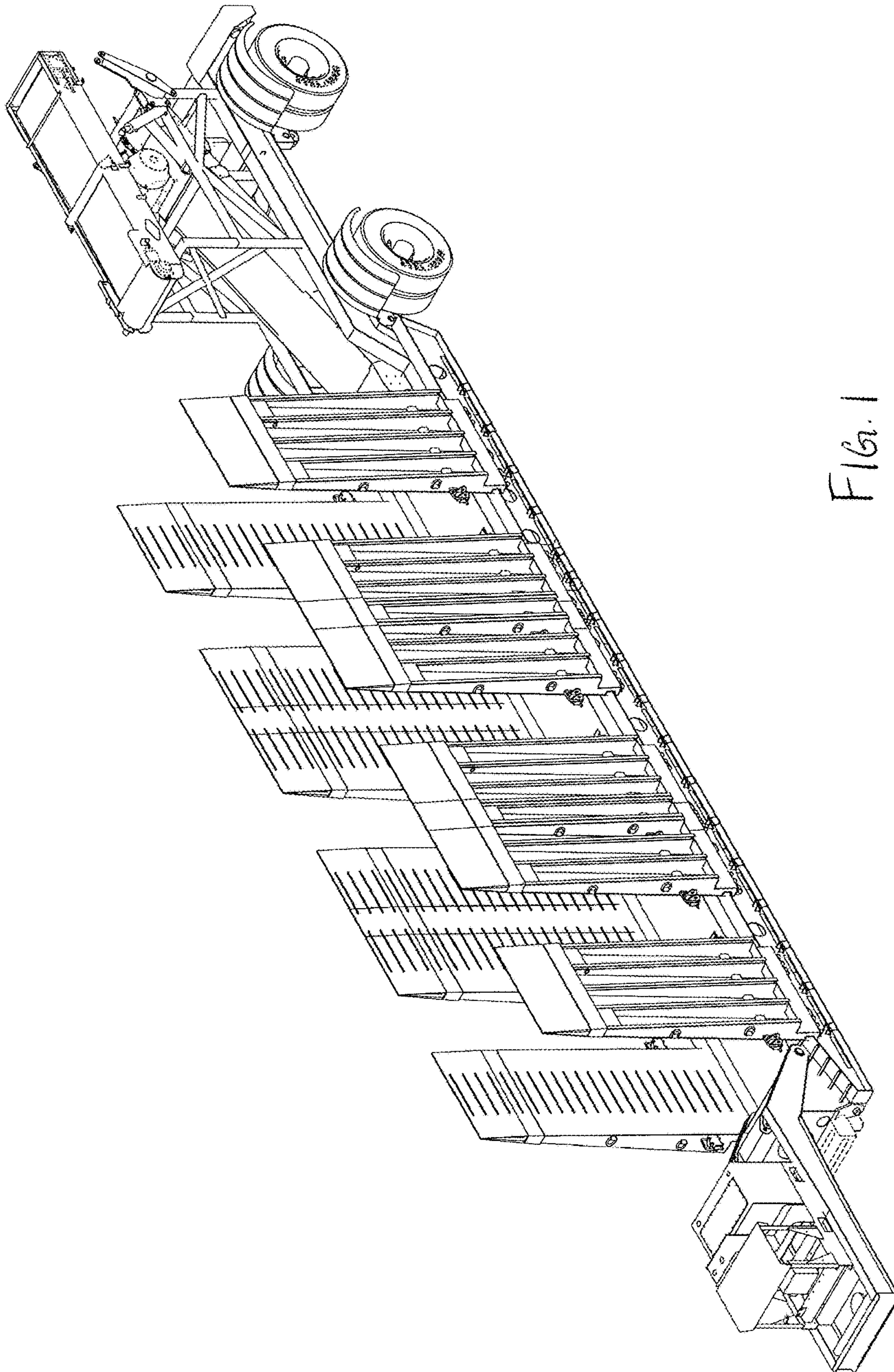


Fig. 1

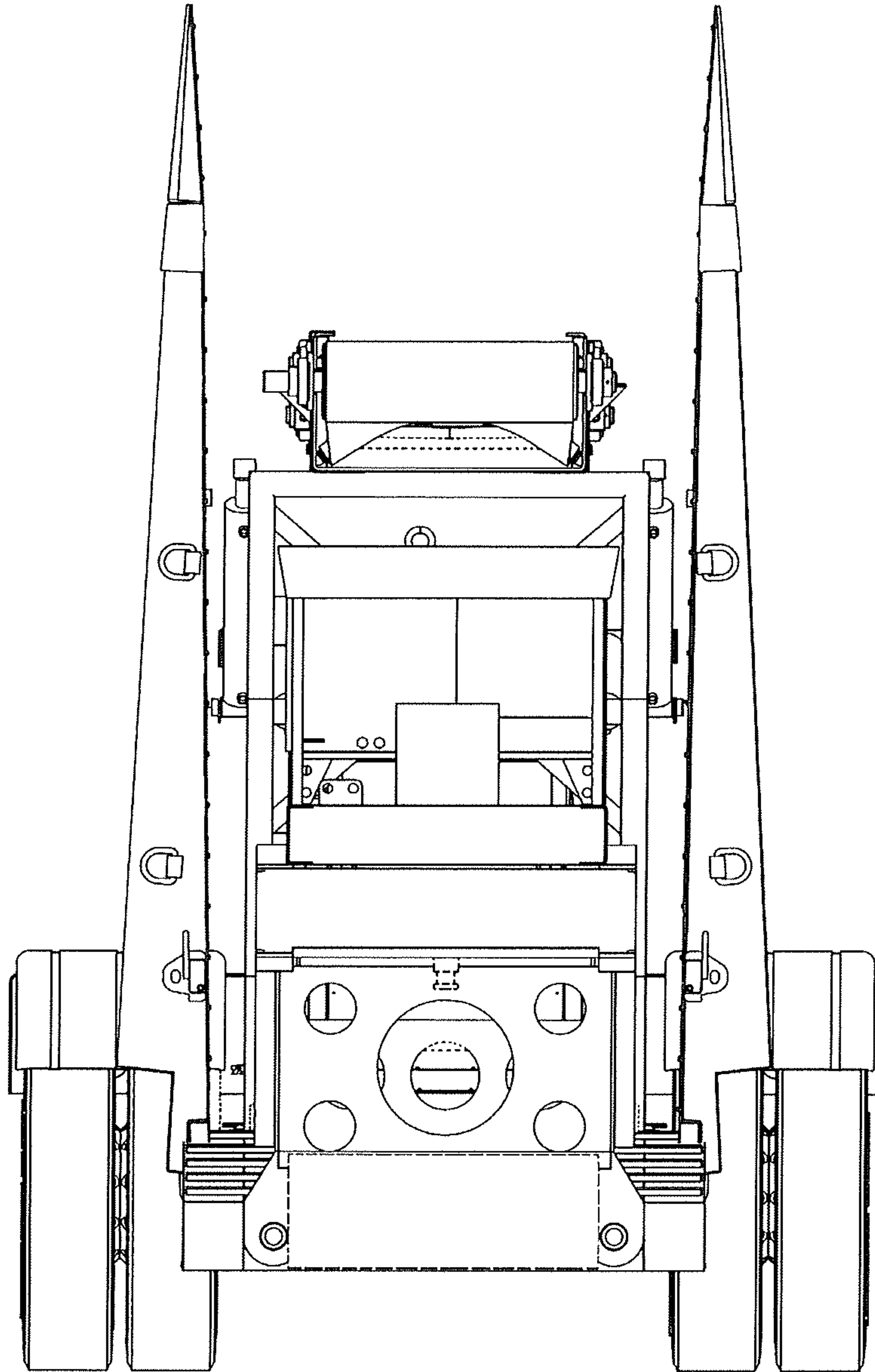


FIG. 2

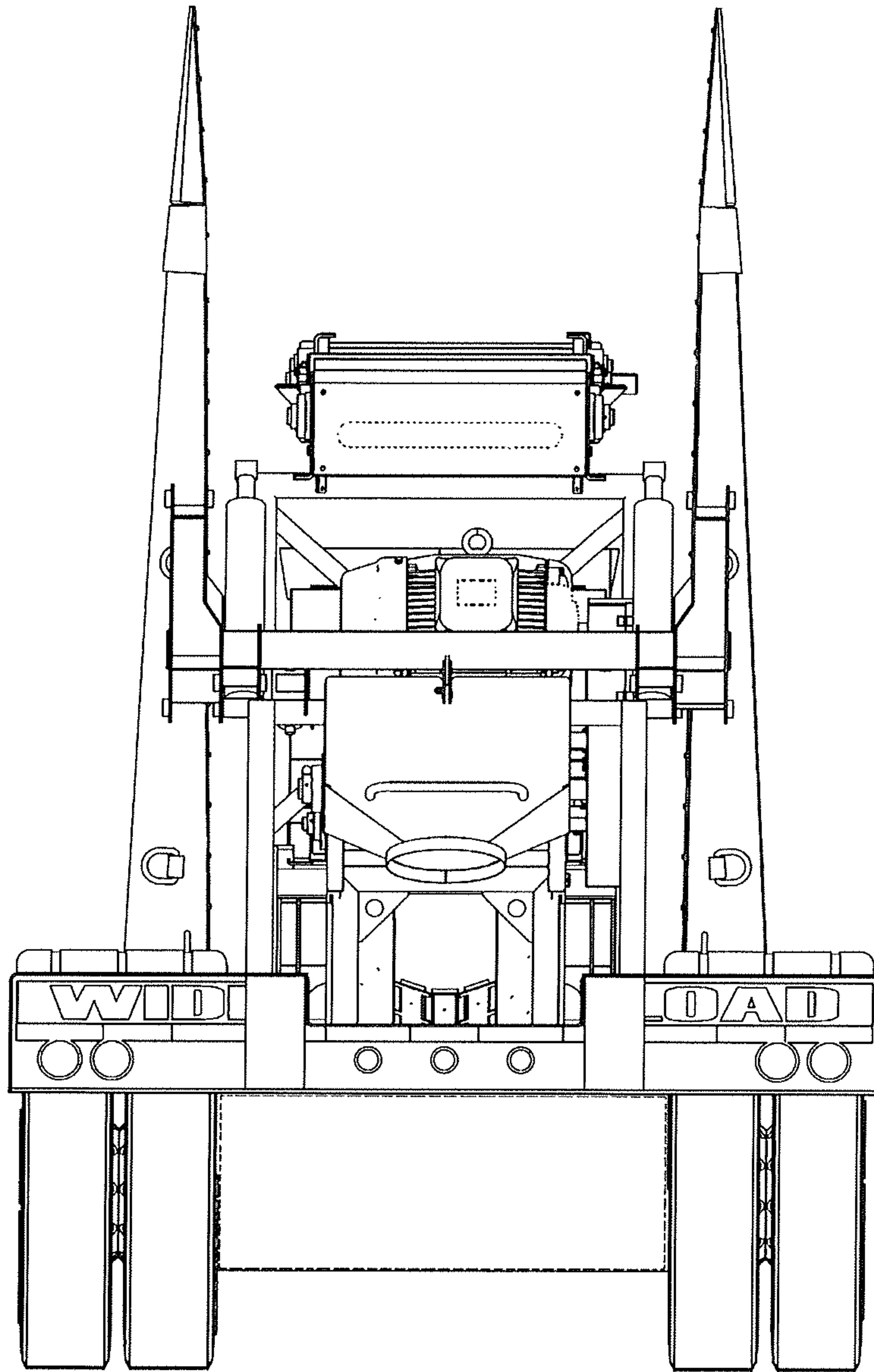


FIG. 3

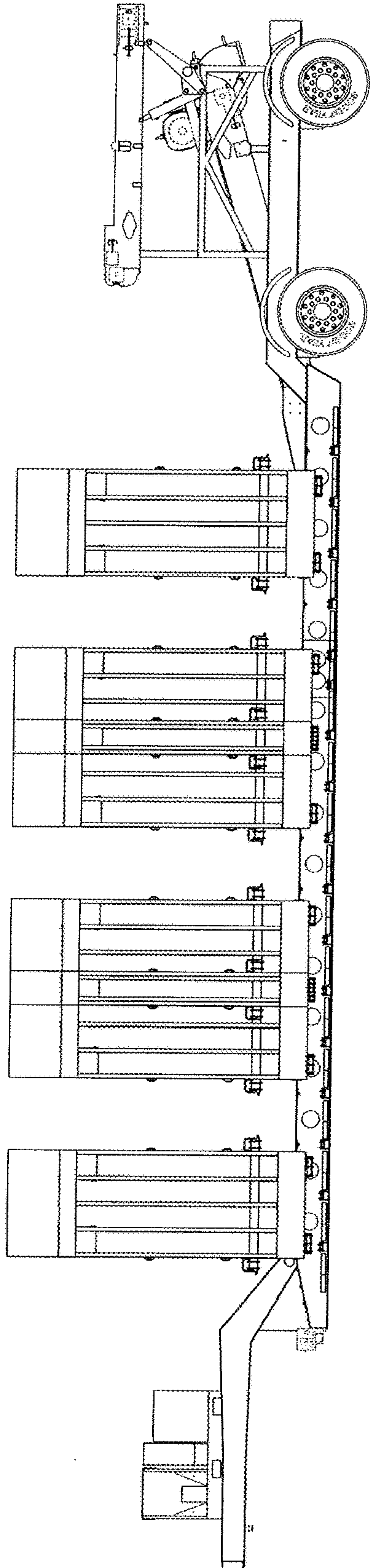


FIG. 4

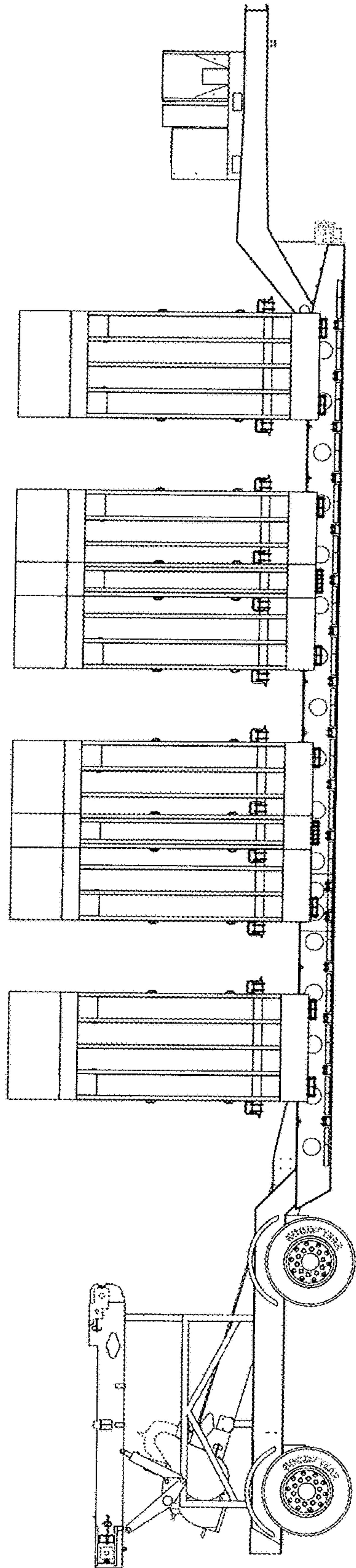


FIG. 5

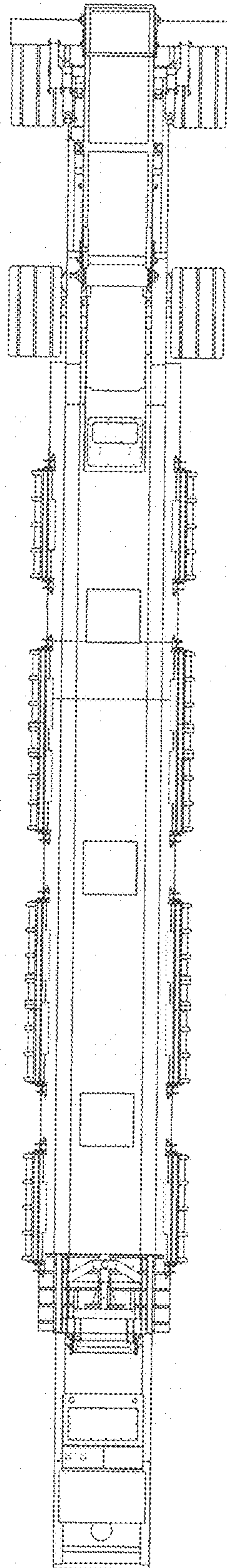


Fig. 6

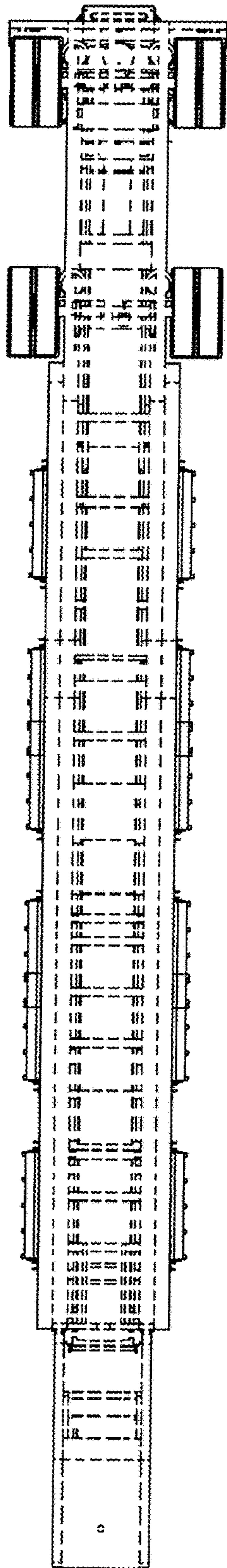


FIG. 7