

US00D819919S

(12) **United States Design Patent**  
**Mitchell**

(10) **Patent No.:** **US D819,919 S**  
(45) **Date of Patent:** **\*\* Jun. 5, 2018**

- (54) **HAND TRUCK ATTACHMENT**
- (71) Applicant: **Terrence Mitchell**, Austin, TX (US)
- (72) Inventor: **Terrence Mitchell**, Austin, TX (US)
- (\*\*) Term: **15 Years**
- (21) Appl. No.: **29/571,136**
- (22) Filed: **Jul. 14, 2016**
- (51) **LOC (11) Cl.** ..... **12-02**
- (52) **U.S. Cl.**  
USPC ..... **D34/27**
- (58) **Field of Classification Search**  
USPC ..... D34/27, 12, 35; 280/5.2, 5.28, 5.32;  
180/8.2, 7.1; D15/199  
CPC ..... B62B 2301/00; B62B 5/0086; B62B  
2205/14; B62B 9/02; A61G 5/061; A61G  
5/06; A61G 5/065; A61G 5/068  
See application file for complete search history.

4,154,315	A *	5/1979	Rasmussen	.....	A61G 5/061 180/8.2
4,264,082	A *	4/1981	Fouchey, Jr.	.....	B62B 5/026 188/22
4,312,317	A *	1/1982	Jewett	.....	F02M 17/22 123/522
4,457,526	A *	7/1984	Persson	.....	B62B 5/026 280/5.26
4,960,179	A *	10/1990	Leach	.....	B62B 5/026 180/8.2
D318,355	S *	7/1991	Salvesen	.....	D12/501
D334,268	S *	3/1993	Hayes	.....	D12/317
D336,710	S *	6/1993	Kinnaman	.....	D34/18
5,273,296	A *	12/1993	Lepek	.....	A61G 5/061 180/8.2
D356,197	S *	3/1995	Loughlin	.....	D34/12
D404,876	S *	1/1999	Rubinos	.....	D34/24
6,357,765	B1 *	3/2002	Heien	.....	B60B 19/12 280/5.2
6,431,664	B1 *	8/2002	Sawada	.....	B62B 5/026 301/5.23
6,644,675	B2 *	11/2003	Ellis	.....	A61G 5/061 280/250.1
D540,503	S *	4/2007	Tsang	.....	D34/28
D590,120	S *	4/2009	Thompson	.....	D34/26
7,669,861	B2 *	3/2010	Herreid	.....	E04G 21/16 180/8.1

(56) **References Cited**

U.S. PATENT DOCUMENTS

2,400,824	A *	5/1946	Jackson	.....	B62B 5/026 180/65.6
2,742,973	A *	4/1956	Johannesen	.....	A61G 5/061 180/19.1
2,747,883	A *	5/1956	Frost	.....	B62B 5/026 280/47.27
3,283,839	A *	11/1966	Brown	.....	A61G 5/061 180/8.2
3,450,219	A *	6/1969	Fleming	.....	B62B 5/026 180/8.2
3,638,745	A *	2/1972	Floyd	.....	A61G 5/061 180/8.2
4,061,199	A *	12/1977	Last	.....	A61G 5/061 180/8.2
4,142,732	A *	3/1979	Boyd	.....	B62B 5/026 188/22

(Continued)

*Primary Examiner* — Cynthia Ramirez

(74) *Attorney, Agent, or Firm* — Matthew E. Burr

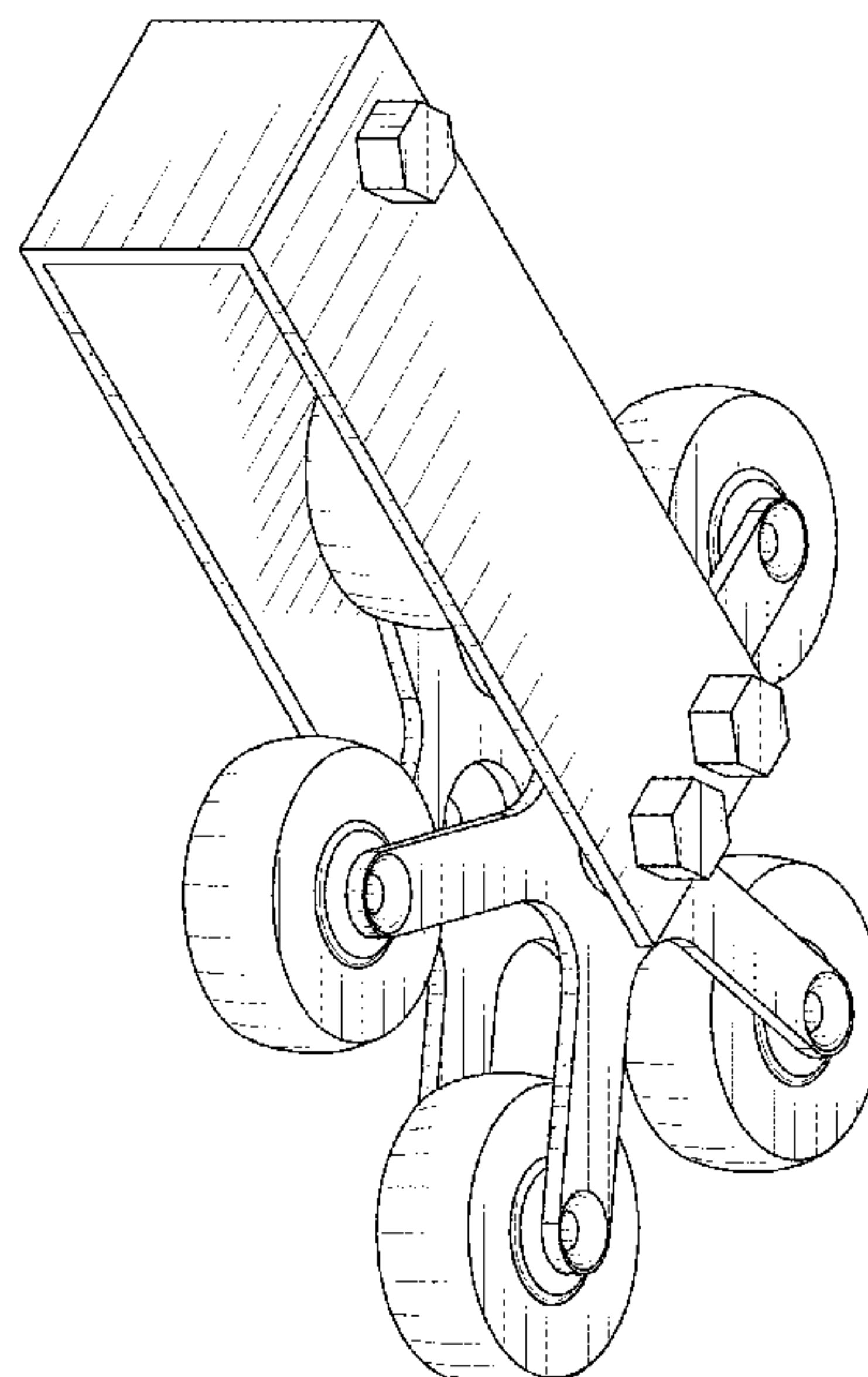
(57) **CLAIM**

The ornamental design for a hand truck attachment, as shown.

**DESCRIPTION**

FIG. 1 is a perspective view of the hand truck attachment. FIG. 2 is a top plan view thereof. FIG. 3 is a rear view thereof. FIG. 4 is a bottom plan view thereof; and, FIG. 5 is left side view thereof.

**1 Claim, 5 Drawing Sheets**



(56)

**References Cited**

U.S. PATENT DOCUMENTS

2002/0180256 A1\* 12/2002 Reich ..... B21D 53/32  
301/63.101  
2007/0075509 A1\* 4/2007 Wyrick, III ..... B62B 5/026  
280/47.27  
2010/0013182 A1\* 1/2010 Kergosien ..... A01M 31/02  
280/204  
2010/0294575 A1\* 11/2010 Martel ..... A61G 5/061  
180/8.2  
2013/0184917 A1\* 7/2013 Sarokhan ..... B62B 5/0036  
701/22  
2013/0274973 A1\* 10/2013 Kamara ..... B62B 5/026  
701/22  
2017/0057530 A1\* 3/2017 Ludo ..... B62B 1/12

\* cited by examiner

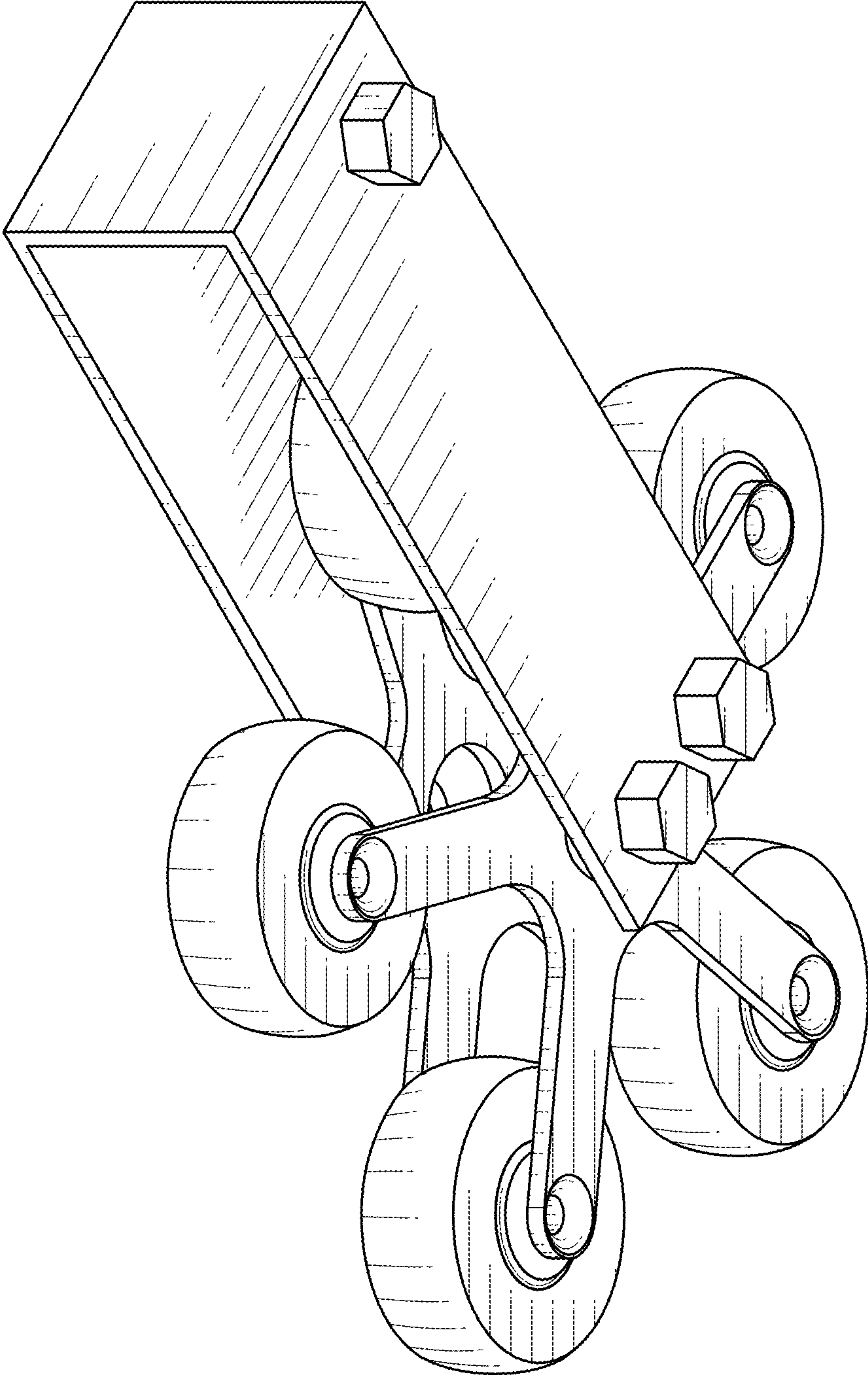


FIG. 1

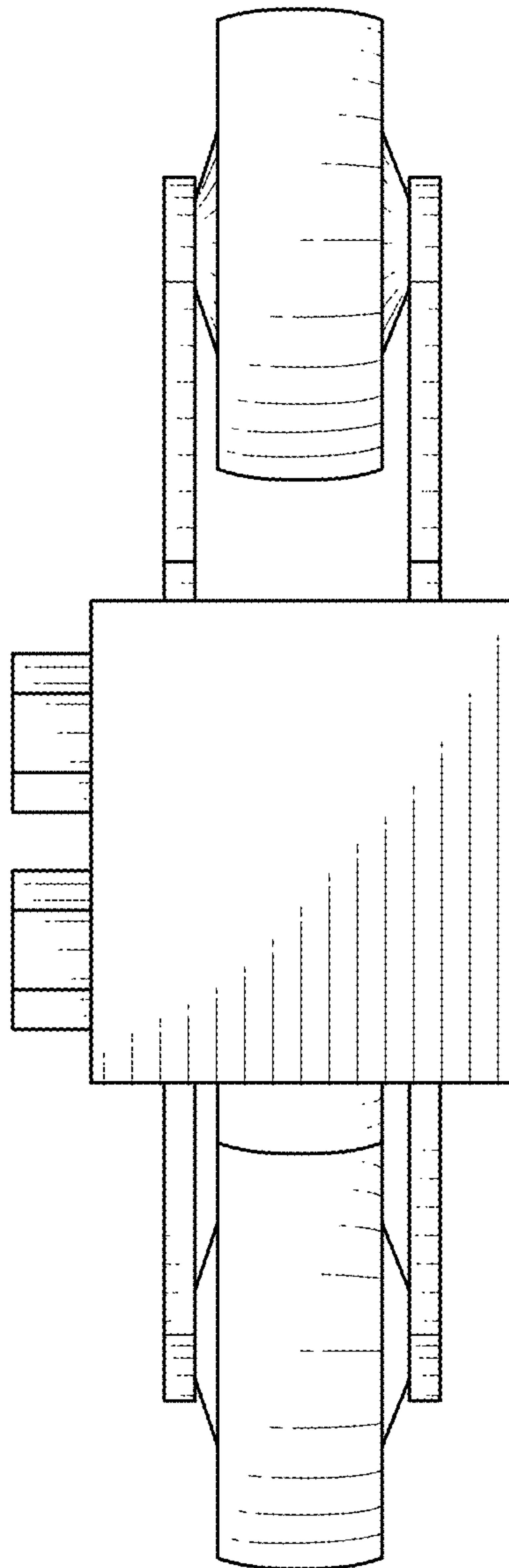


FIG. 2

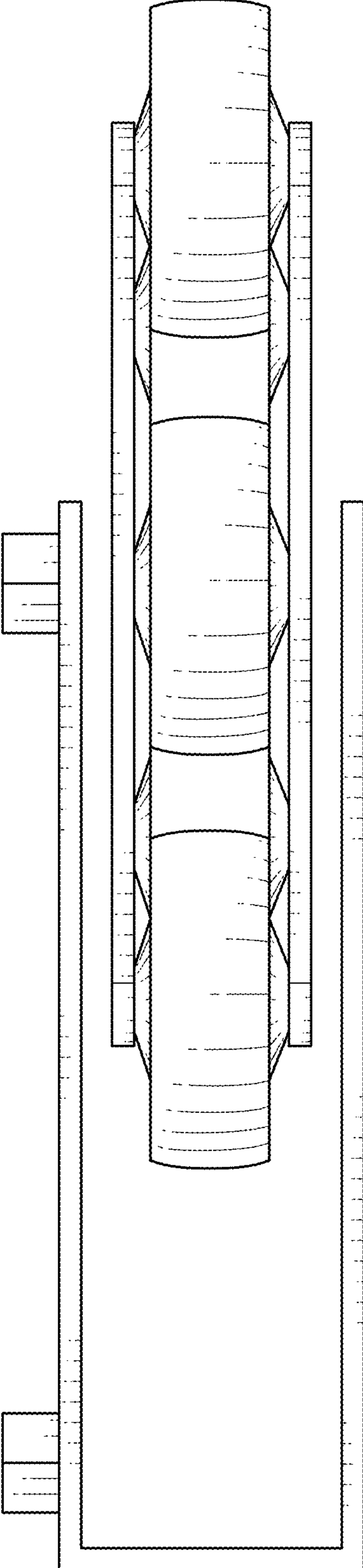


FIG. 3

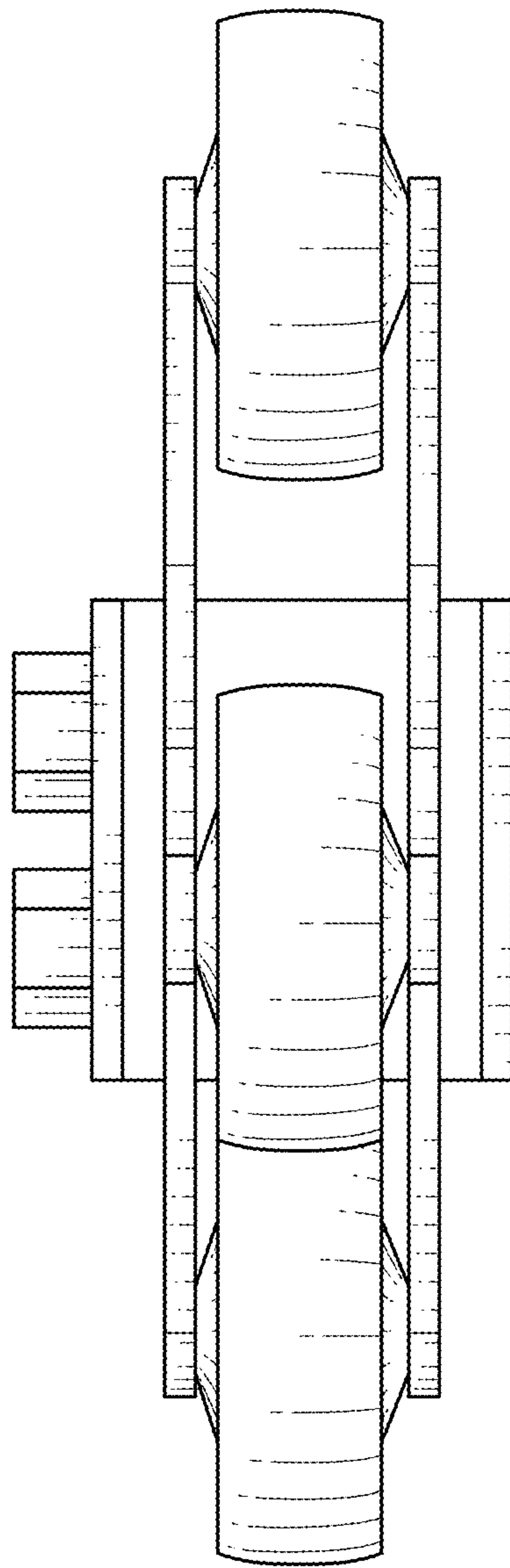


FIG. 4



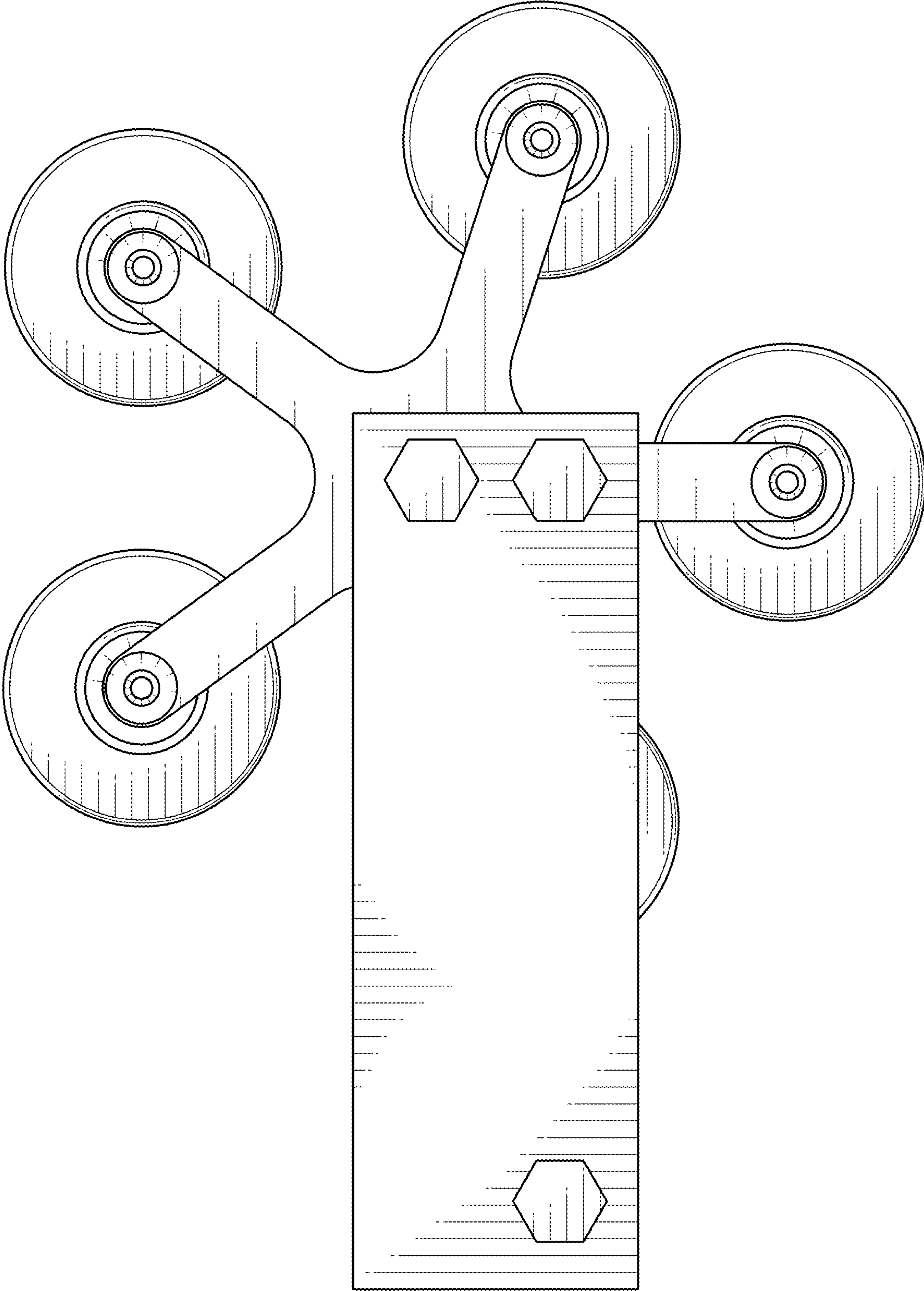


FIG. 5