



US00D819911S

(12) **United States Design Patent**
Hill

(10) **Patent No.:** **US D819,911 S**

(45) **Date of Patent:** **** Jun. 5, 2018**

(54) **FLAT IRON RACK**

(71) Applicant: **Trina E. Hill**, Round Rock, TX (US)

(72) Inventor: **Trina E. Hill**, Round Rock, TX (US)

(**) Term: **15 Years**

(21) Appl. No.: **29/595,816**

(22) Filed: **Mar. 2, 2017**

(51) **LOC (11) Cl.** **07-05**

(52) **U.S. Cl.**
USPC **D32/73**

(58) **Field of Classification Search**
USPC D32/70, 71, 73, 72, 69, 68, 35; 392/404;
38/97, 96, 93, 88, 77.9, 77.83, 77.82,
38/77.81, 77.8, 77.7, 77.6, 77.5, 77.3,
38/77.1; 219/251, 245, 257
CPC D06F 75/34; D06F 75/40; D06F 79/02;
A47B 73/002
See application file for complete search history.

(56) **References Cited**

U.S. PATENT DOCUMENTS

642,685	A *	2/1900	Farley	D06F 79/02	248/117.3
D132,850	S *	6/1942	Cissell	D32/73	
3,212,742	A *	10/1965	Pavoni	D06F 81/003	248/117.1
3,599,358	A *	8/1971	Butts	D06F 81/003	219/242
D249,627	S *	9/1978	Otsuji	D32/73	
D280,455	S *	9/1985	Negrich	D32/73	

D318,546	S *	7/1991	Giannelli	D32/73	
D366,545	S *	1/1996	Sambamurti	D32/73	
D373,269	S *	9/1996	Muller	D6/691.8	
D502,302	S *	2/2005	Verbeek	D32/73	
D564,167	S *	3/2008	Rosen	D32/73	
D612,648	S *	3/2010	Guindi	D6/525	
D614,375	S *	4/2010	Van Beuningen	D32/73	
D680,291	S *	4/2013	Shepherd	248/117.1	
D785,985	S *	5/2017	Burden	D6/691	
D803,501	S *	11/2017	Goodman	D32/55	

* cited by examiner

Primary Examiner — Austin Murphy

(74) *Attorney, Agent, or Firm* — Dunlap Bennett & Ludwig PLLC; Brendan E. Squire

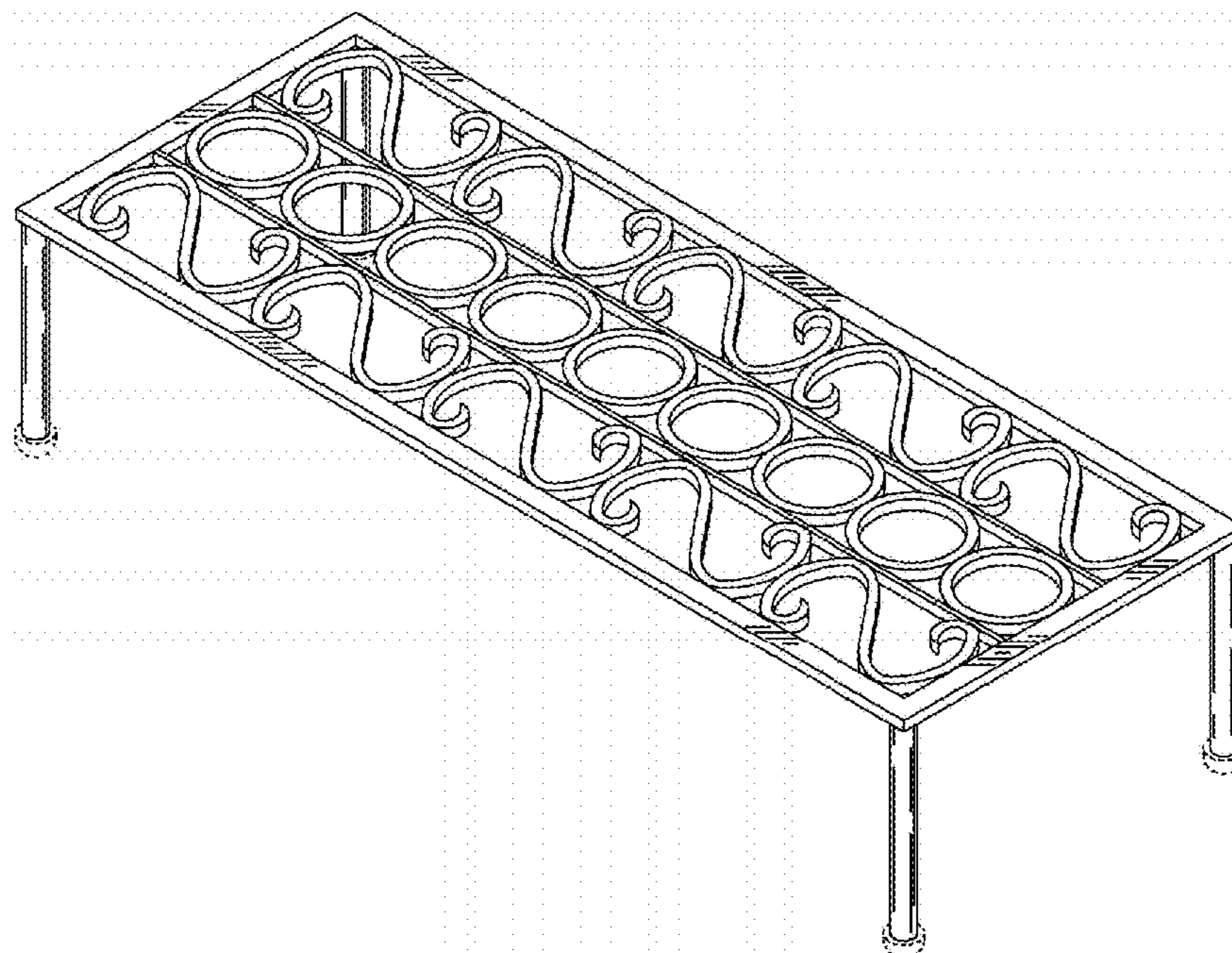
(57) **CLAIM**

The ornamental design for a flat iron rack, as shown and described.

DESCRIPTION

FIG. 1 is an overhead perspective view of a flat iron rack showing my new design;
 FIG. 2 is a top plan view thereof;
 FIG. 3 is a front elevation view thereof, the back elevation view being a mirror image thereof;
 FIG. 4 is a bottom plan view thereof;
 FIG. 5 is a right side elevation view thereof, the left side being a mirror image thereof;
 FIG. 6 is a detail view of a leg end; and,
 FIG. 7 is an overhead perspective view illustrating the flat iron rack arranged for stacking.
 The broken lines illustrate environment and forms no part of the claimed design.

1 Claim, 3 Drawing Sheets



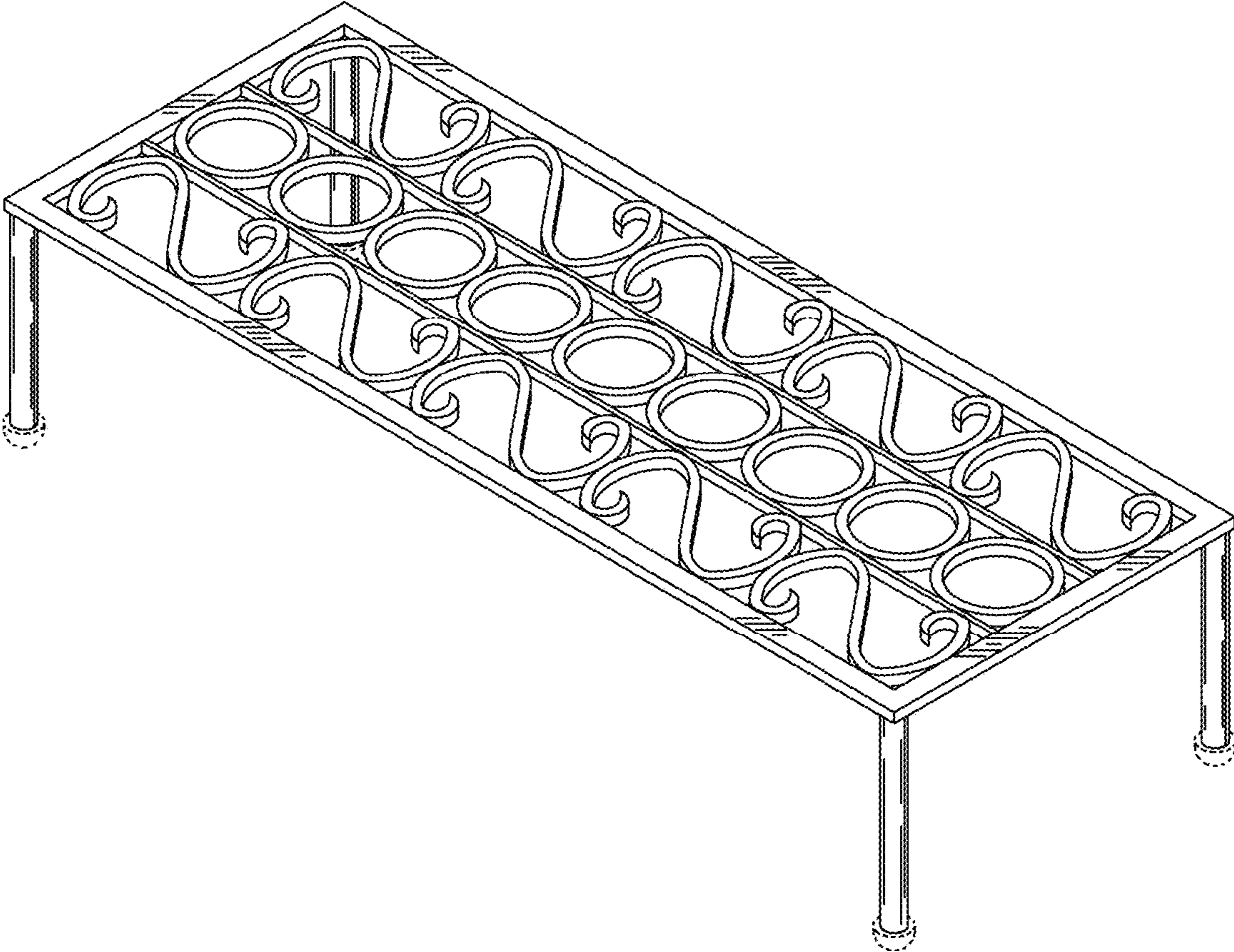


Fig. 1

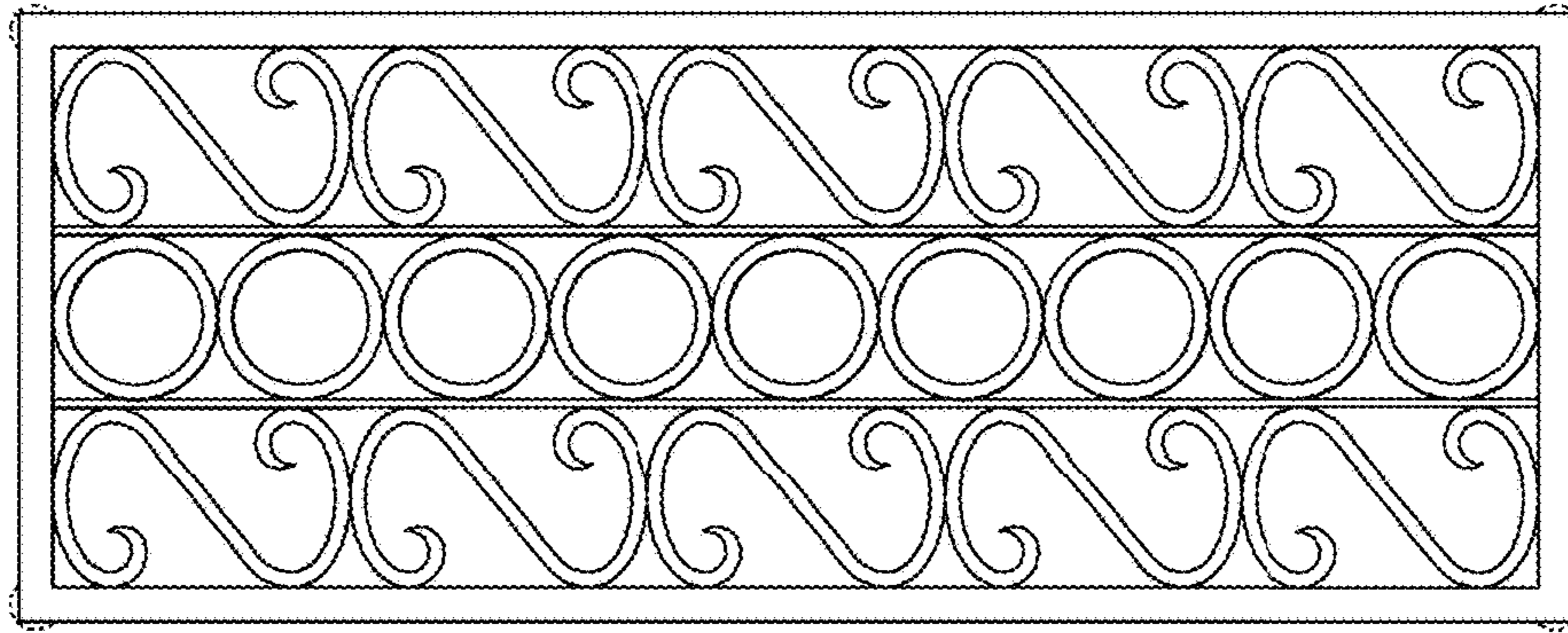


Fig. 2

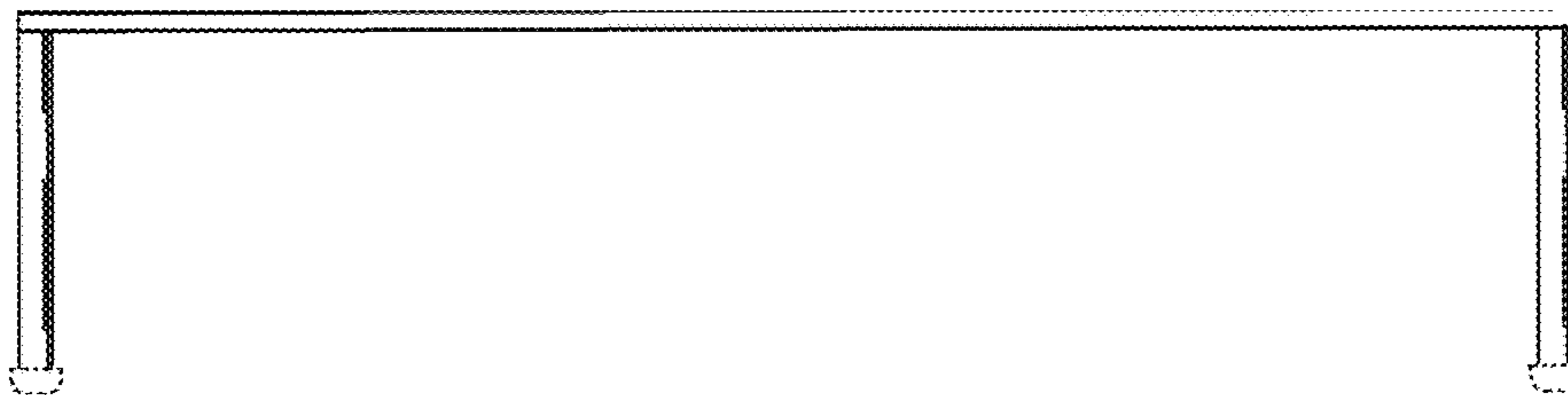


Fig. 3

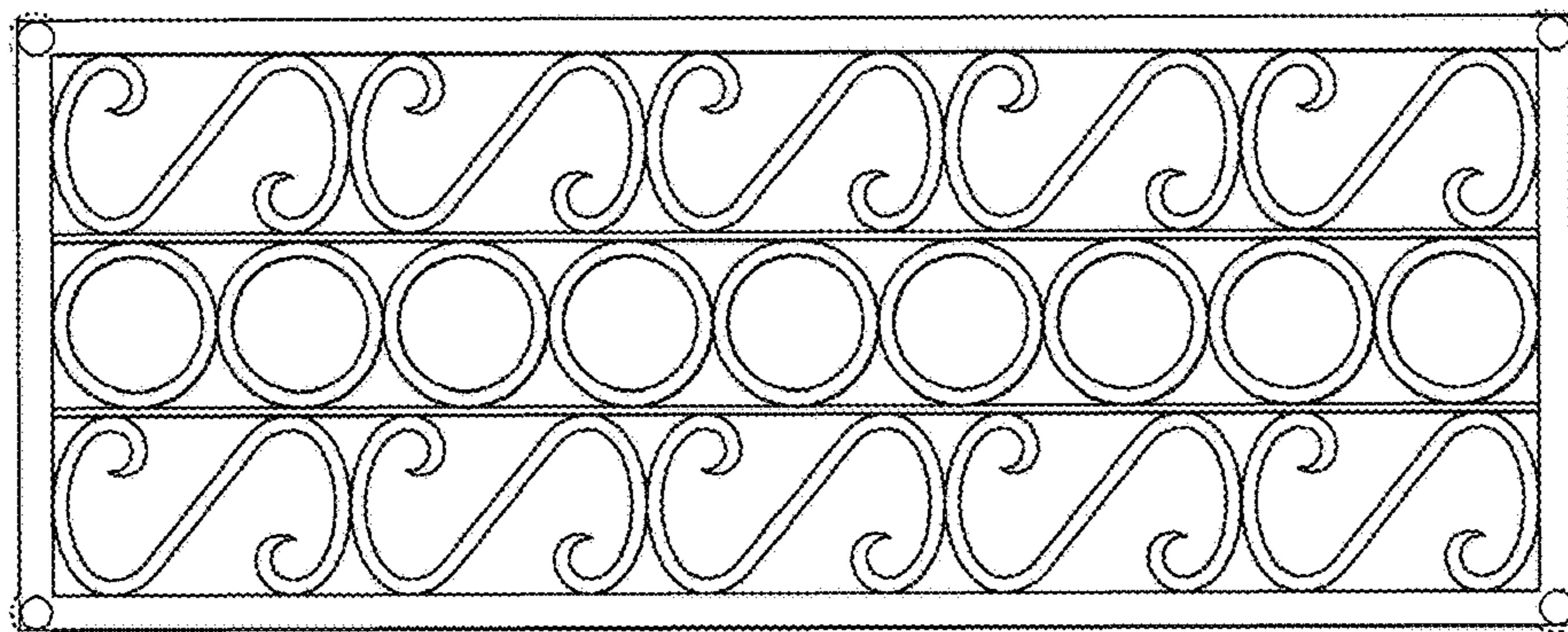


Fig. 4

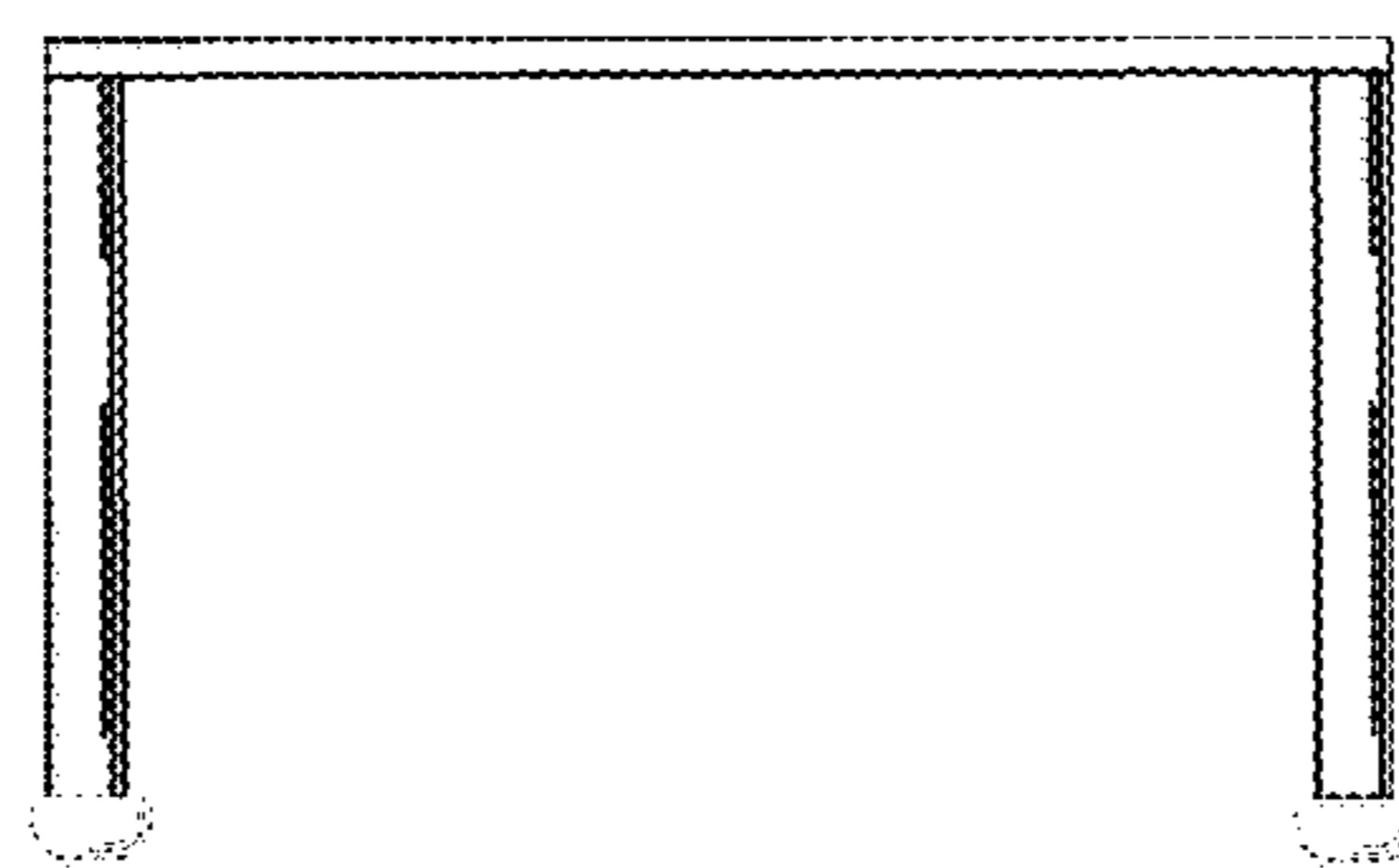


Fig. 5

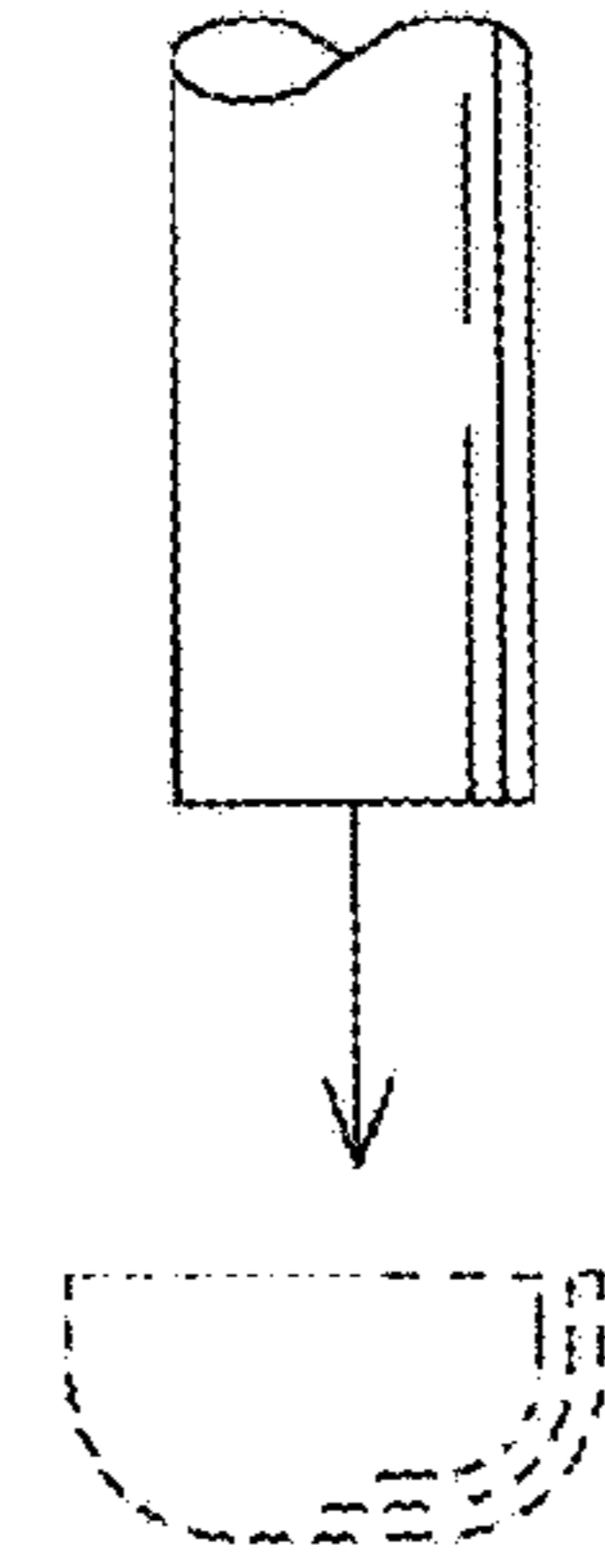


Fig. 6

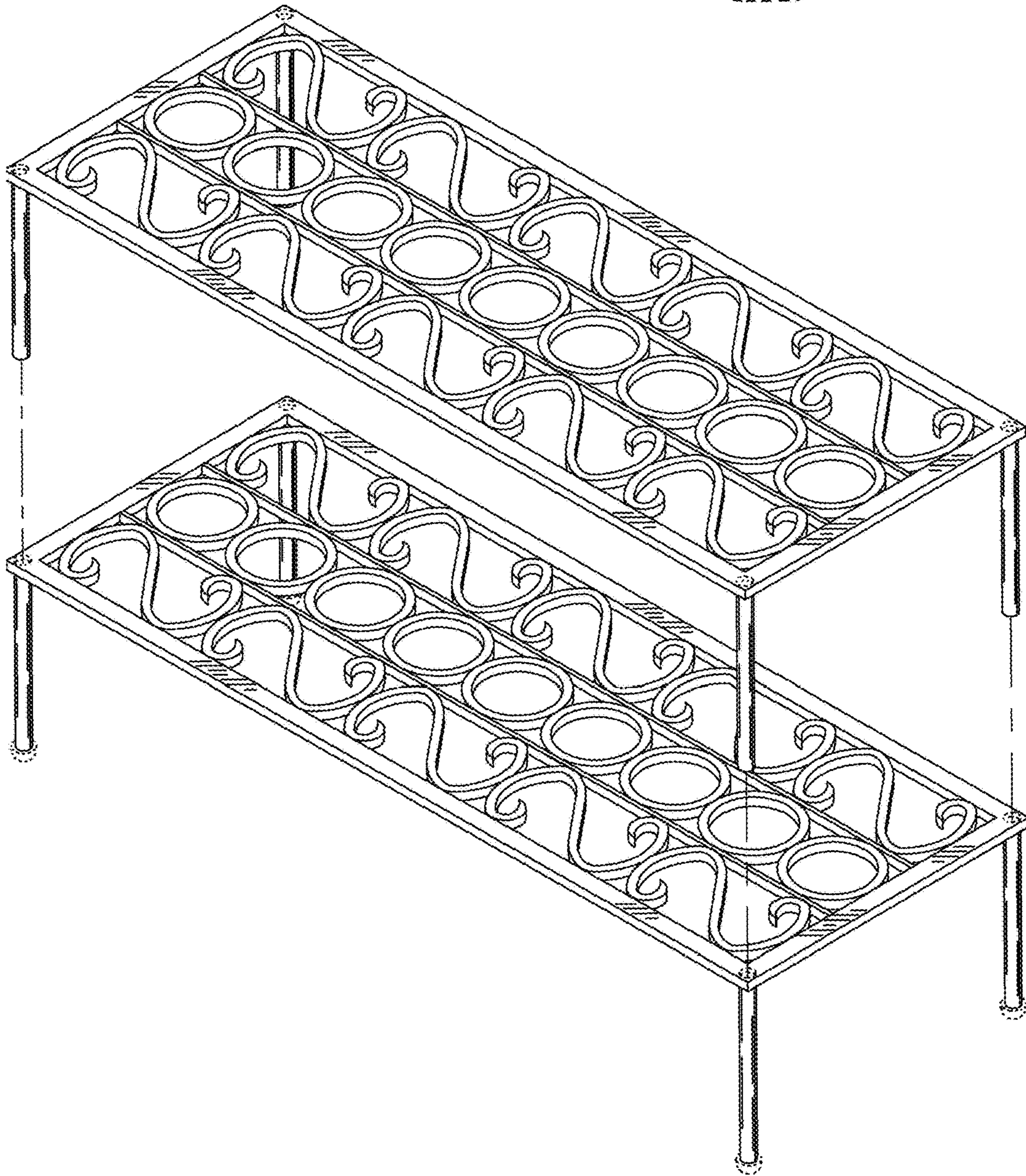


Fig. 7