



US00D819910S

(12) **United States Design Patent**
Rane et al.

(10) **Patent No.:** **US D819,910 S**
(45) **Date of Patent:** **** Jun. 5, 2018**

(54) **UTILITY WRAP**
(71) Applicant: **YETI Coolers, LLC**, Austin, TX (US)
(72) Inventors: **Mark Carlson Rane**, Austin, TX (US);
Donald Edward Desroches, Austin, TX (US); **Roy Joseph Seiders**, Austin, TX (US); **Tobias Hotchkiss**, Austin, TX (US)

D296,525 S 7/1988 Siegel
4,765,472 A * 8/1988 Dent A47J 47/18
206/373
4,767,015 A 8/1988 Ho
(Continued)

FOREIGN PATENT DOCUMENTS

CN 102849303 A 1/2013
CN 203186671 U 9/2013
(Continued)

(73) Assignee: **YETI Coolers, LLC**, Austin, TX (US)

(**) Term: **15 Years**

(21) Appl. No.: **29/598,202**

(22) Filed: **Mar. 23, 2017**

(51) **LOC (11) Cl.** **07-07**

(52) **U.S. Cl.**
USPC **D32/53**

(58) **Field of Classification Search**
USPC D32/53, 53.1, 54; D22/136; D3/201,
D3/315; 206/372, 373, 349; 15/264;
220/904; D11/200, 212
CPC B25H 3/02
See application file for complete search history.

OTHER PUBLICATIONS
“Utility Pail 5 Gallon by Seachoice Products,” published prior to Feb. 27, 2017, retrieved from https://www.amazon.com/Utility-Pail-Gallon-Seachoice-Products/dp/B002IZFOGK/ref=sr_1_79?ie=UTF8&qid=1483581180&sr=8-79&keywords=utility+pail on Jun. 8, 2017.

(Continued)

Primary Examiner — Robin V Webster
(74) *Attorney, Agent, or Firm* — Banner & Witcoff, Ltd.

(57) **CLAIM**

The ornamental design for a utility wrap, as shown and described.

(56) **References Cited**

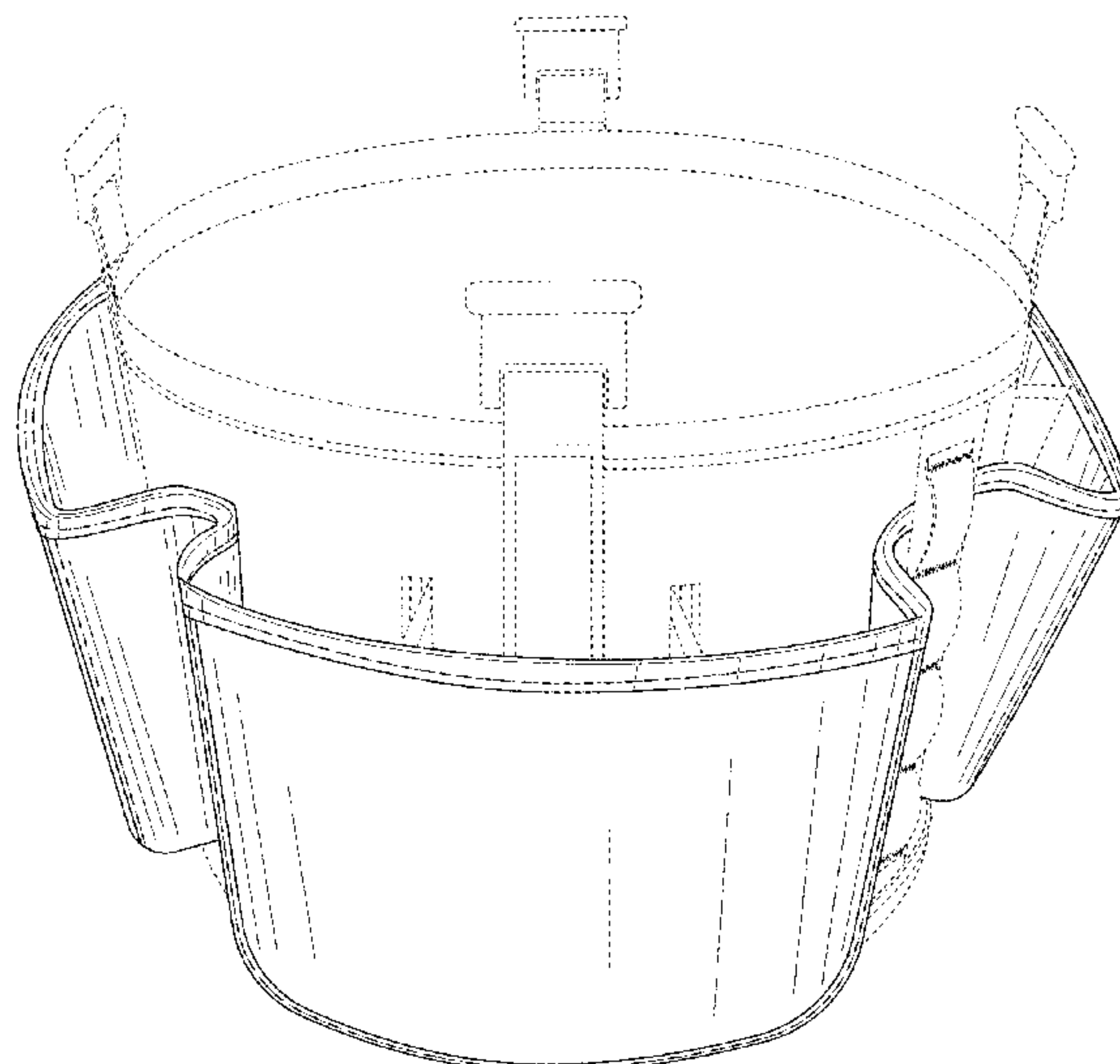
U.S. PATENT DOCUMENTS

143,959 A * 10/1873 Brown A47L 13/58
15/264
1,486,676 A 3/1924 Nilssen
1,781,583 A 11/1930 Hodgson
2,018,271 A 10/1935 Samuel
2,448,894 A 9/1948 Laus
D165,621 S * 1/1952 West 2/336
2,757,405 A 8/1956 Edwards
3,535,382 A 10/1970 Brown et al.
4,356,930 A 11/1982 Roper
4,524,882 A 6/1985 Buc
D289,455 S 4/1987 Freiler
4,667,843 A 5/1987 Galer

DESCRIPTION

FIG. 1 is a top, front perspective view of a utility wrap showing our new design;
FIG. 2 is a top view thereof;
FIG. 3 is a bottom view thereof;
FIG. 4 is a front view thereof;
FIG. 5 is a rear view thereof;
FIG. 6 is a right side view thereof; and,
FIG. 7 is a left side view thereof.
The broken lines showing the remainder of the utility wrap represent unclaimed subject matter and form no part of the claimed design.

1 Claim, 7 Drawing Sheets



(56)

References Cited

FOREIGN PATENT DOCUMENTS

JP 3116035 U 11/2005
 KR 200472092 Y1 4/2014

OTHER PUBLICATIONS

“United Solutions PN0020 White Five Gallon Plastic Industrial Pail—5 Gallon Plastic Bucket for Industrial in White,” published prior to Feb. 27, 2017, retrieved from [https://www.amazon.com/United-Solutions-PN0020-Plastic-Industrial/dp/B005SB1ORY/ref=sr_1_88?ie=UTF8&qid=1483581247&sr=8-88](https://www.amazon.com/United-Solutions-PN0020-Plastic-Industrial/dp/B005SB1ORY/ref=sr_1_88?ie=UTF8&qid=1483581247&sr=8-88&keywords=utility+pail)

&keywords=utility+pail on Jun. 8, 2017.

“Bucket Stacker Tool Organize with 4 Compartments, 3" Deep,” published prior to Feb. 27, 2017, retrieved from <http://www.all-spec.com/Catalog/Hand-Power-Tools/Pneumatic-Tools/Tool-Arms-Holders/15051-65685?gclid=C1rk0-n0qtECFUhWDQod6w4JOg> on Jun. 8, 2017.

“Built-in Bottom Handle 5 Gallon Buckets & Covers,” published prior to Feb. 27, 2017, retrieved from <http://www.usplastic.com/catalog/item.aspx?itemid=118844&catid=752> on Jun. 8, 2017.

“The Ultimate Bucket,” published prior to Feb. 27, 2017, retrieved from <https://web.archive.org/web/20111027180918/http://ultimatebucket.com:80/index.html> on Jun. 21, 2017.

“Custom Leathercraft 1118 30-Pocket Outside Bucket-Pockets,” published prior to Mar. 23, 2017, retrieved from https://www.walmart.com/ip/Custom-Leathercraft-1118-30-Pocket-Outside-Bucket-Pockets/19656756?action=product_interest&action_type=title&beacon_version=1.0.2

&bucket_id=irsbucketdefault&client_guid=62111ea2-f303-4793-8529-5a53e4d809c9&config_id=2&cu#about-item on Jun. 5, 2017. “61—Pocket in and Out Bucket Organizer,” published prior to this application’s filing date on Mar. 23, 2017, retrieved from <https://www.walmart.com/ip/Custom-Leathercraft-4122-61-Pocket-Bucket-Tool-Bag-61-Pocket-In-Out-Each/21659694> on Jun. 5, 2017.

“Apollo Tools Bucket Organizer, Pink,” published prior to this application’s filing date on Mar. 23, 2017, retrieved from <https://www.walmart.com/ip/Apollo-Tools-Bucket-Organizer/22848213> on Jun. 5, 2017.

“Apollo Tools Bucket Organizer,” published prior to this application’s filing date on Mar. 23, 2017, retrieved from <https://www.walmart.com/ip/Apollo-Tools-Bucket-Organizer/22848212> on Jun. 5, 2017.

“Bucket Organizer Wrap Milwaukee Tool Holders 48-22-8175045242479580,” published prior to this application’s filing date on Mar. 23, 2017, retrieved from <https://www.walmart.com/ip/Bucket-Organizer-Wrap-Milwaukee-Tool-Holders-48-22-8175-045242479580/120876362> on Jun. 5, 2017.

“Fiskars Garden Bucket Caddy, Bucket Not Included (9424),” published prior to this application’s filing date on Mar. 23, 2017, retrieved from <https://www.amazon.com/Fiskars-Garden-Bucket-Caddy-Included/dp/B00005YX30> on Jun. 5, 2017.

“Walmart Bucket Organizers” published prior to Mar. 23, 2017, retrieved from <https://www.walmart.com/search/?query=Bucket%20Organizers&u1=&oid=223073.1&wmlspartner=TQiP6m79tRs&sourceid=06586858561623118499&affillinktype=10&veh=aff> on Apr. 7, 2017.

* cited by examiner

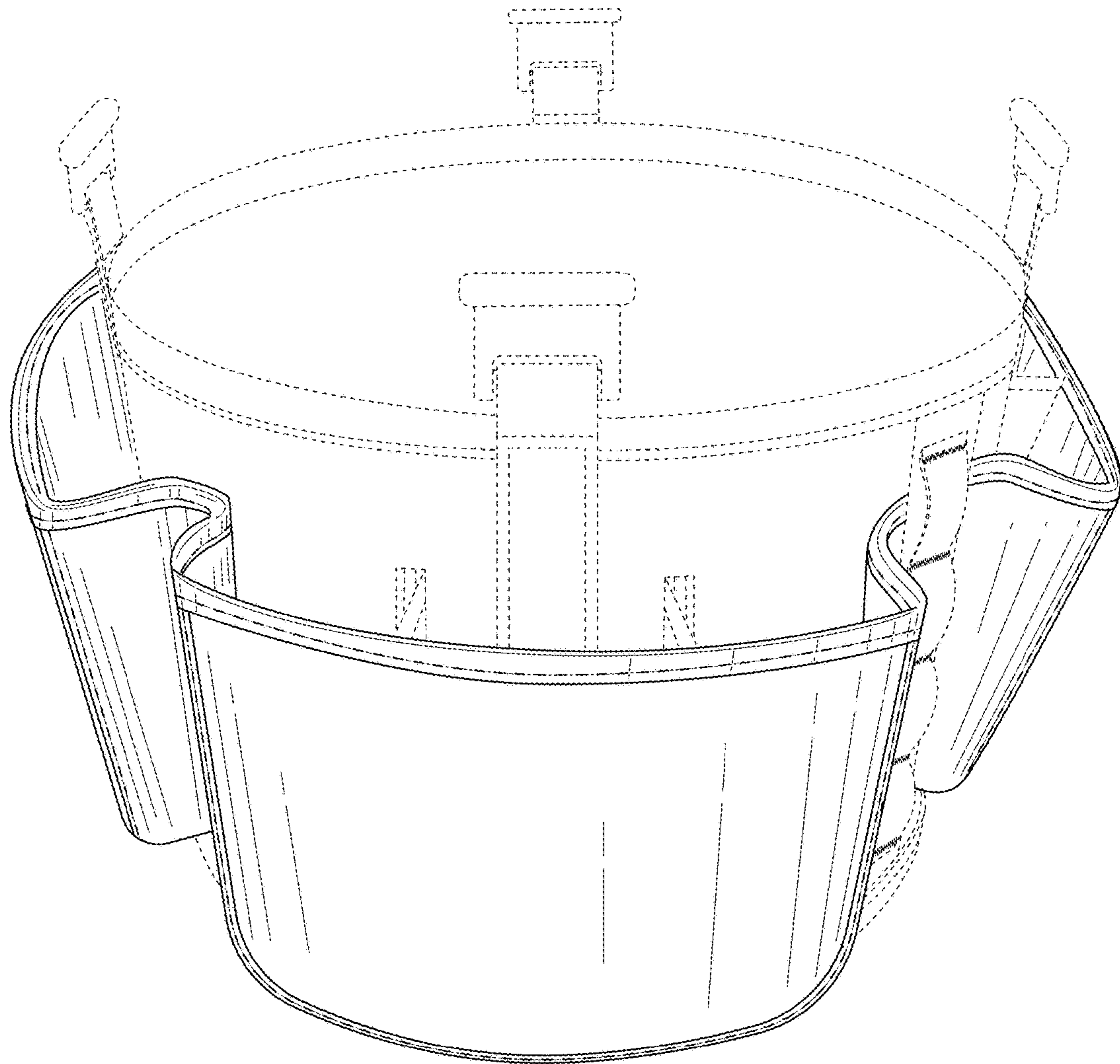


FIG. 1

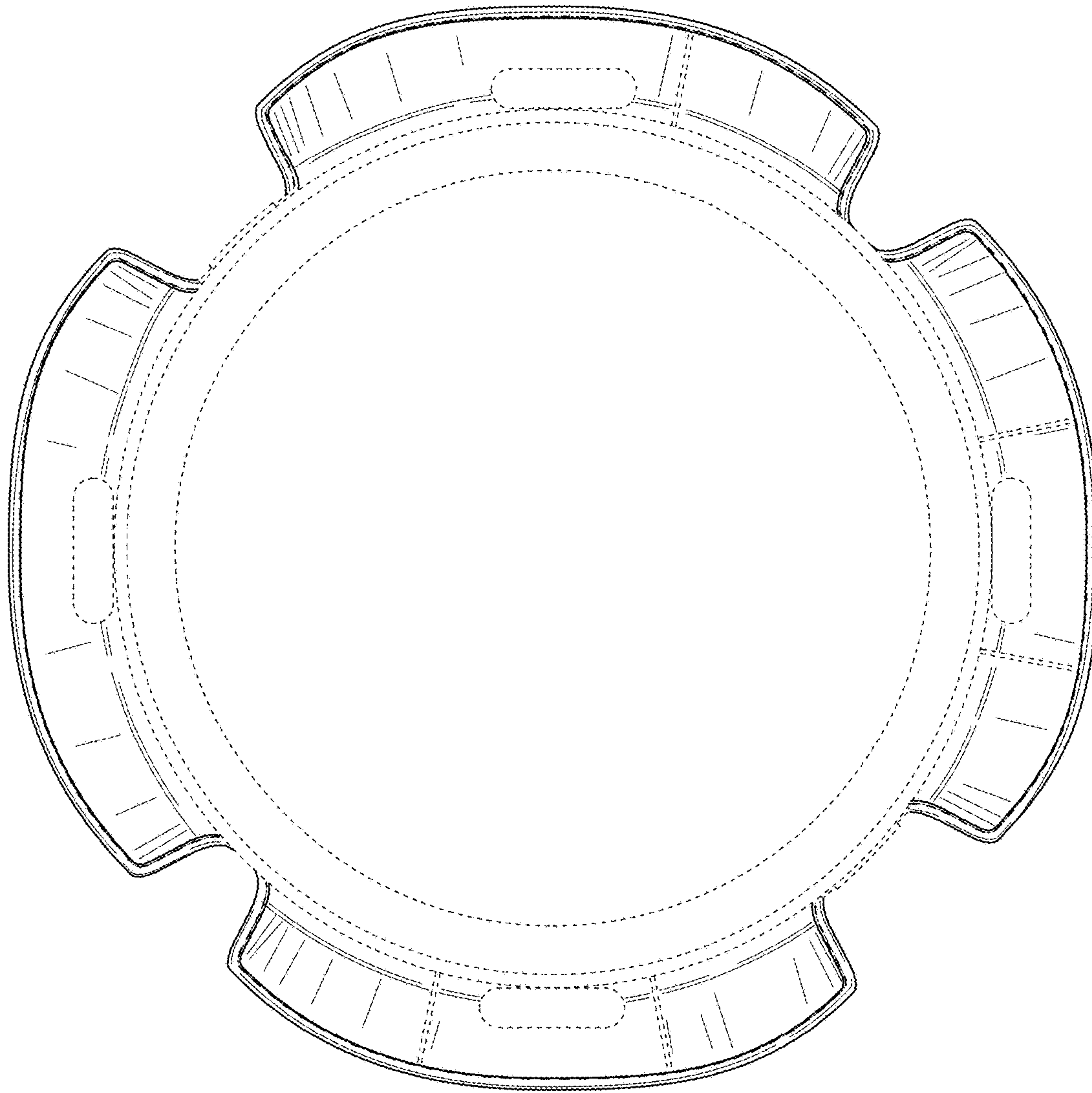


FIG. 2

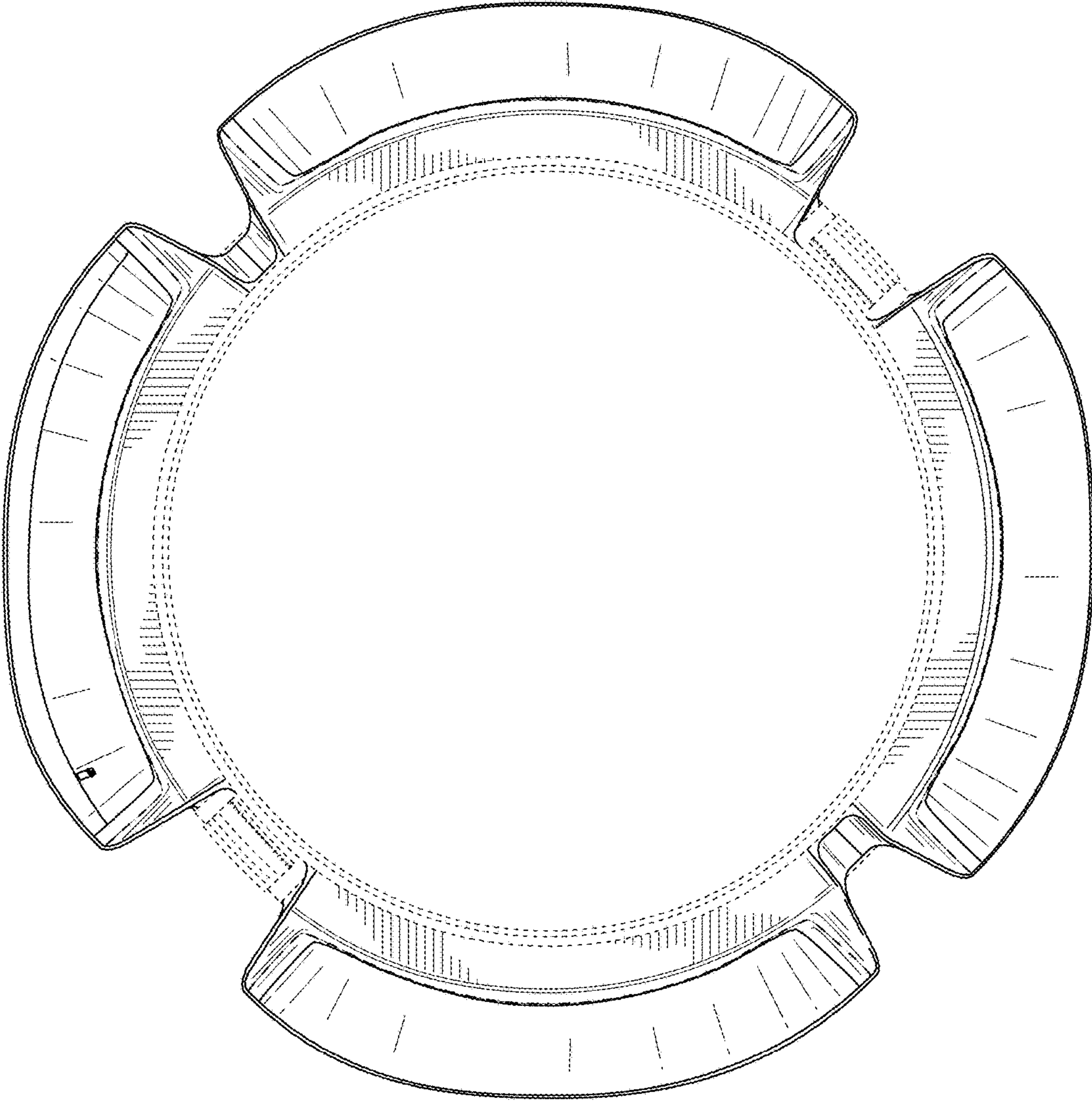


FIG. 3

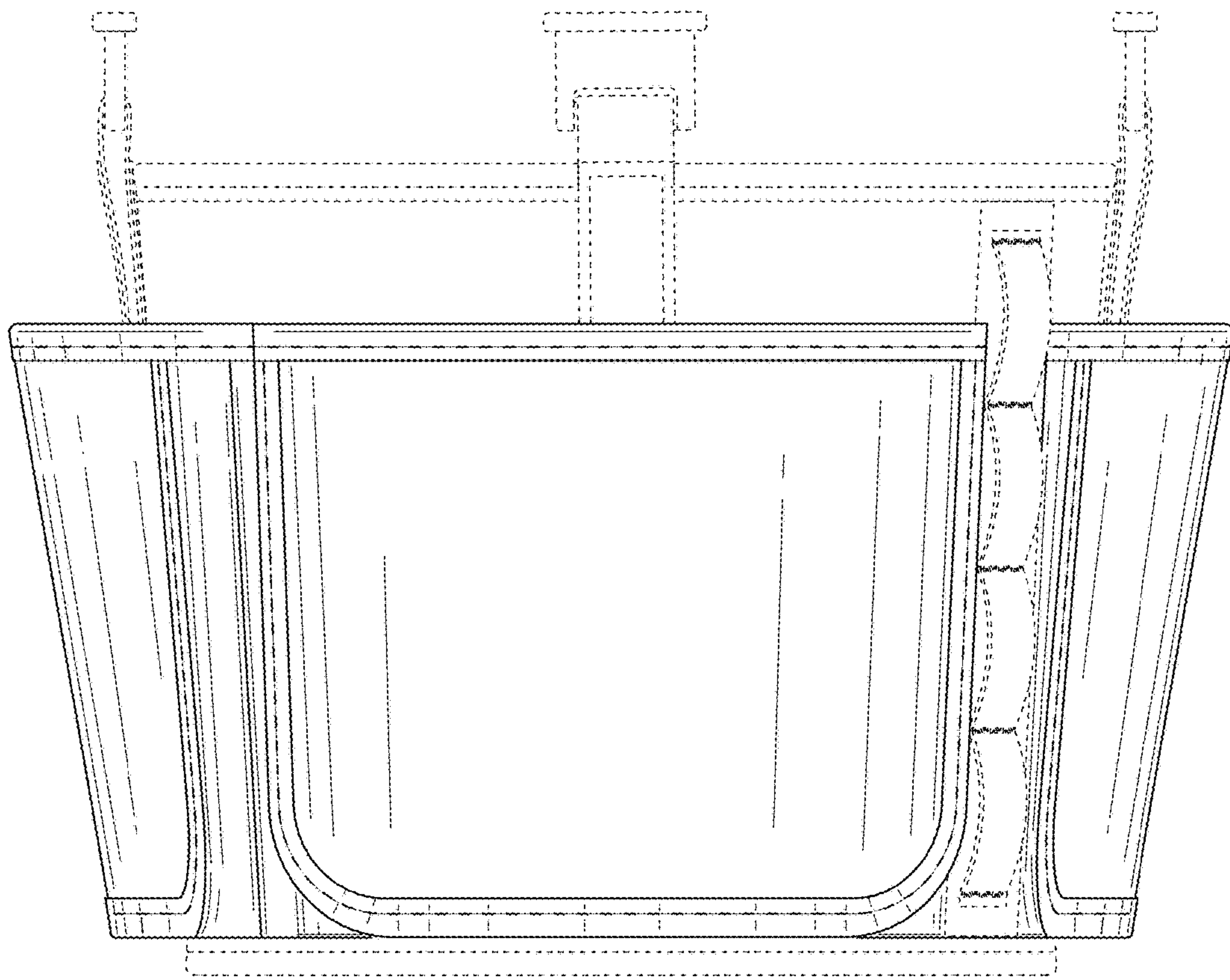


FIG. 4

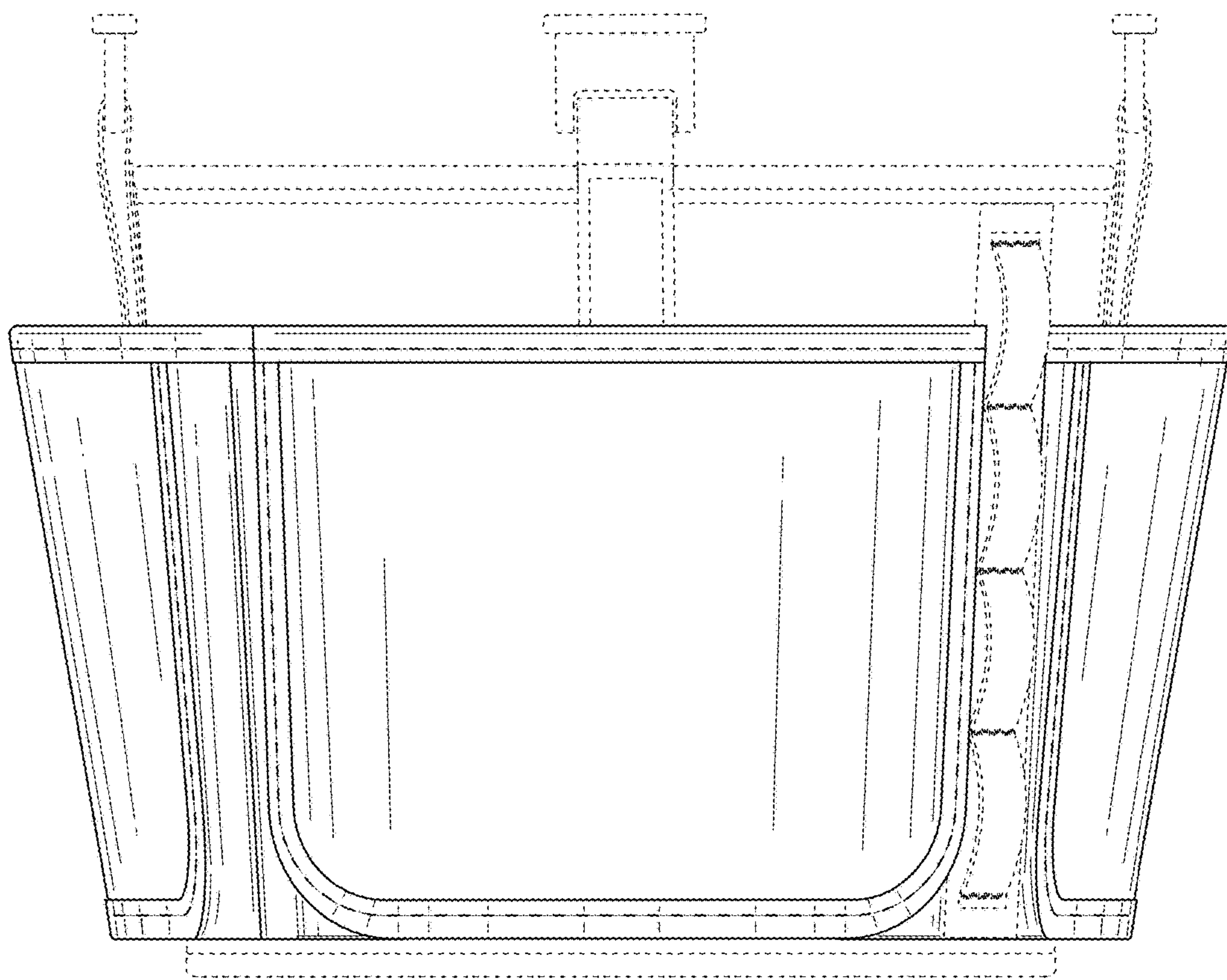


FIG. 5

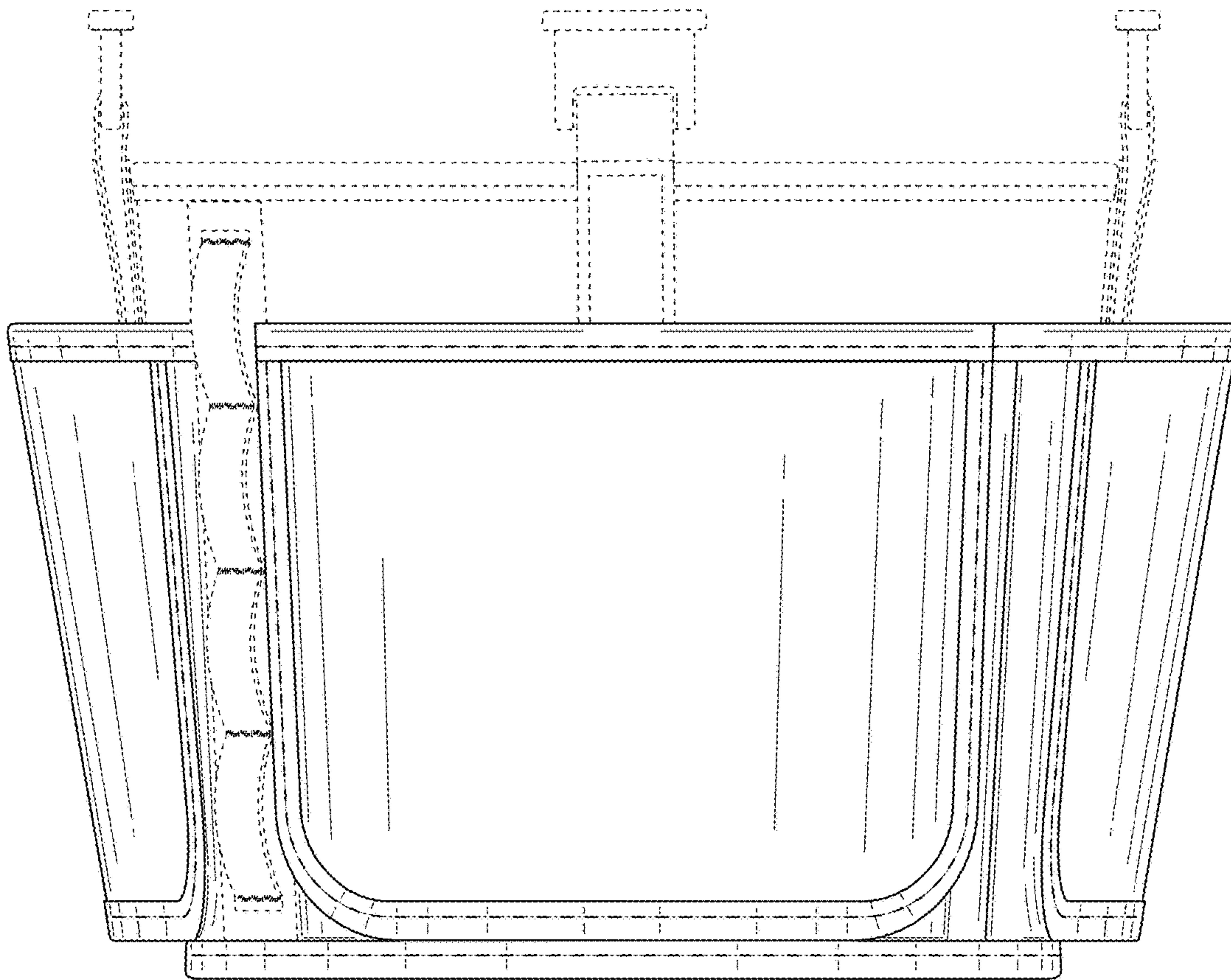


FIG. 6

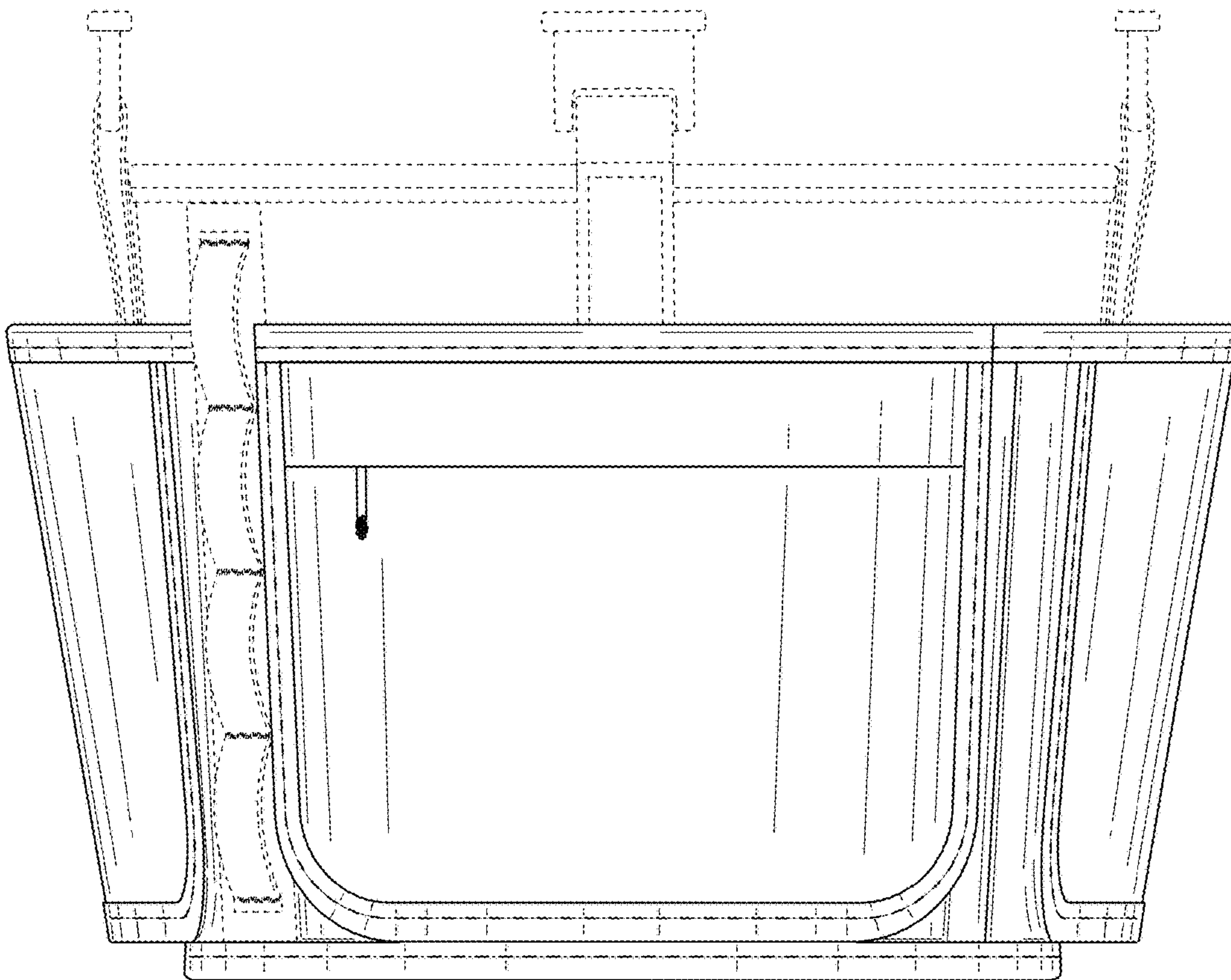


FIG. 7