



US00D819909S

(12) **United States Design Patent**
Schneider

(10) **Patent No.:** **US D819,909 S**
(45) **Date of Patent:** **** Jun. 5, 2018**

(54) **BUCKET CONTAINER WITH HANDLE**

D739,626 S * 9/2015 Condifff D32/53
D739,627 S * 9/2015 Condifff D32/53
D743,136 S * 11/2015 Condifff D32/53
D782,768 S * 3/2017 Luburic B65D 25/2888
D32/53

(71) Applicant: **Joseph Scott Schneider**, Ocean City,
MD (US)

(72) Inventor: **Joseph Scott Schneider**, Ocean City,
MD (US)

(Continued)

(**) Term: **15 Years**

CN 202400383 U 8/2012
CN 203186671 U 9/2013

(21) Appl. No.: **29/596,186**

(Continued)

(22) Filed: **Mar. 6, 2017**

FOREIGN PATENT DOCUMENTS

(51) **LOC (11) Cl.** **07-07**

(52) **U.S. Cl.**
USPC **D32/53**

(58) **Field of Classification Search**
USPC D32/53-54; 15/264; 220/669, 752-753,
220/659, 770, 904; D8/313, 315;
16/430; D28/56
CPC A47L 13/58; A47J 47/18
See application file for complete search history.

OTHER PUBLICATIONS

Jeffers, "Fortiflex Muck Bucket", <https://www.jefferspet.com/products/muck-bucket-black>, last downloaded Sep. 30, 2016.

(Continued)

Primary Examiner — Robin V Webster
(74) *Attorney, Agent, or Firm* — Miles & Stockbridge
P.C.

(56) **References Cited**

(57) **CLAIM**

U.S. PATENT DOCUMENTS

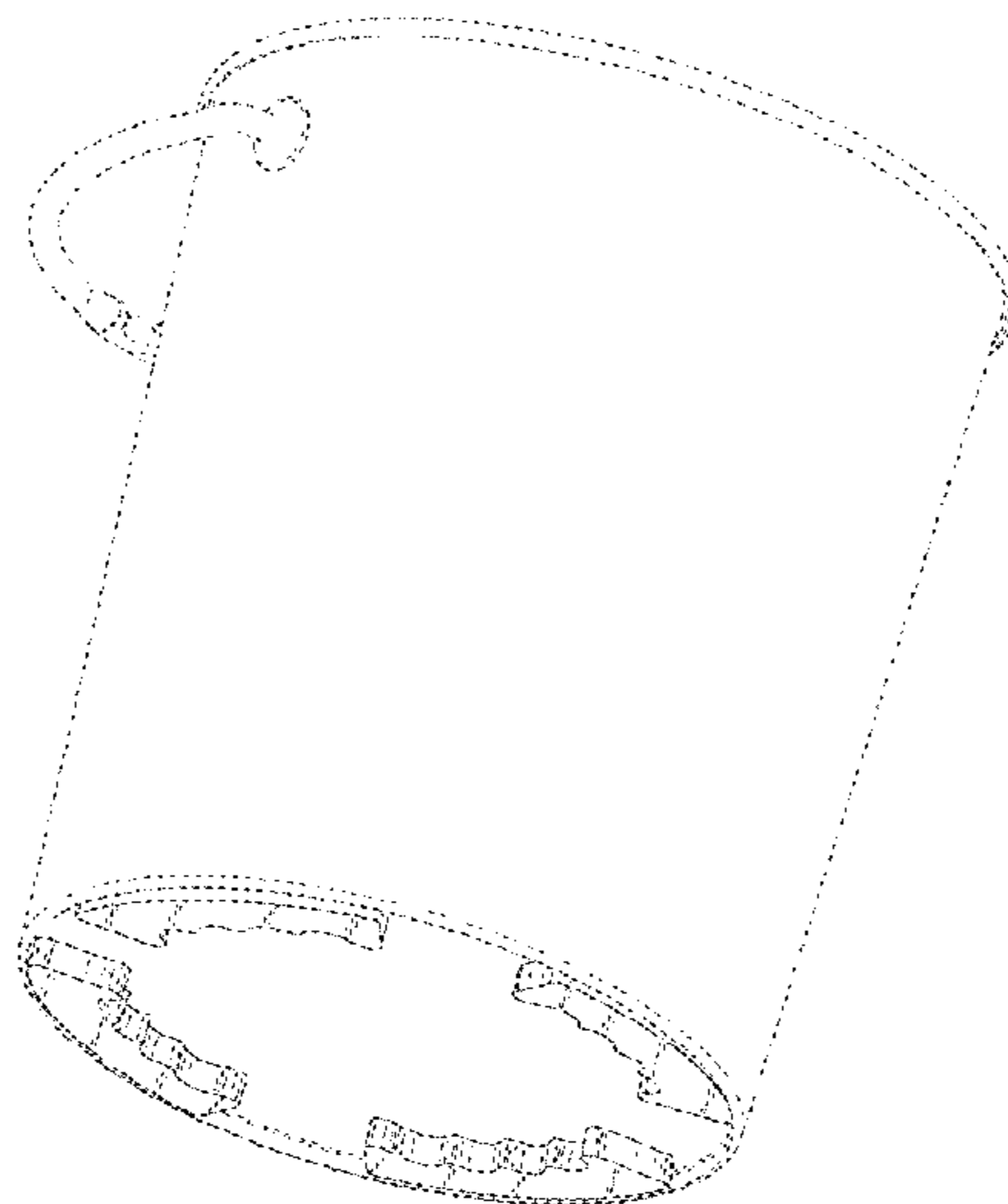
I claim the ornamental design for a bucket container with handle, as shown and described.

- D159,662 S * 8/1950 Patek 132/73
- 2,793,670 A 5/1957 Schmidt
- 3,343,711 A 8/1965 Godshalk
- 3,425,471 A 2/1969 Yates, Jr.
- 4,293,073 A 10/1981 Yates, Jr.
- 4,632,357 A 12/1986 Von Holdt
- 4,998,622 A 3/1991 Drack
- 5,088,615 A 2/1992 Neuman
- 5,292,024 A 3/1994 Koefeld et al.
- 5,507,543 A 4/1996 Shefflin
- D415,858 S * 10/1999 Funatogawa D28/56
- 6,758,365 B2 7/2004 Jackson
- D514,422 S * 2/2006 Lai D8/300
- 8,210,391 B2 7/2012 Luburic
- D683,920 S * 6/2013 Bonafide D32/53
- D683,921 S * 6/2013 Bonafide D32/53
- 8,869,985 B2 10/2014 Schick
- D726,385 S * 4/2015 O'Leary D32/53

DESCRIPTION

FIG. 1 is a perspective view of a bucket container with handle showing my new design;
FIG. 2 is a front view thereof;
FIG. 3 is a right side view thereof;
FIG. 4 is a rear view thereof;
FIG. 5 is a left side view thereof;
FIG. 6 is a top view thereof;
FIG. 7 is a bottom view thereof; and,
FIG. 8 is a bottom perspective view thereof.
The broken lines in the drawings depict environmental portions that form no part of the claimed design.

1 Claim, 8 Drawing Sheets



(56)

References Cited

U.S. PATENT DOCUMENTS

D789,639 S * 6/2017 Schneider D32/53
2009/0152280 A1 6/2009 Luburic
2013/0284306 A1 10/2013 Carlson et al.
2014/0182201 A1 7/2014 Danowski et al.

FOREIGN PATENT DOCUMENTS

CN 204072010 U 1/2015
KR 20-0282599 Y1 7/2002

OTHER PUBLICATIONS

Personalization Mall, "Sit N' Fish Personalized Bucket Cooler",
<http://www.personalizationmall.com/personalized-Fishing-bucket-cooler-sit-n-fish-p14084.prod>, last downloaded Sep. 30, 2016.
Gearcoop.com, "Yeti Tank 85 Quart Cooler—Ice Blue", <http://www.gearcoop.com/yeti-tank-85-quart-cooler-ice-blue.html>, last
downloaded Sep. 30, 2016.

* cited by examiner

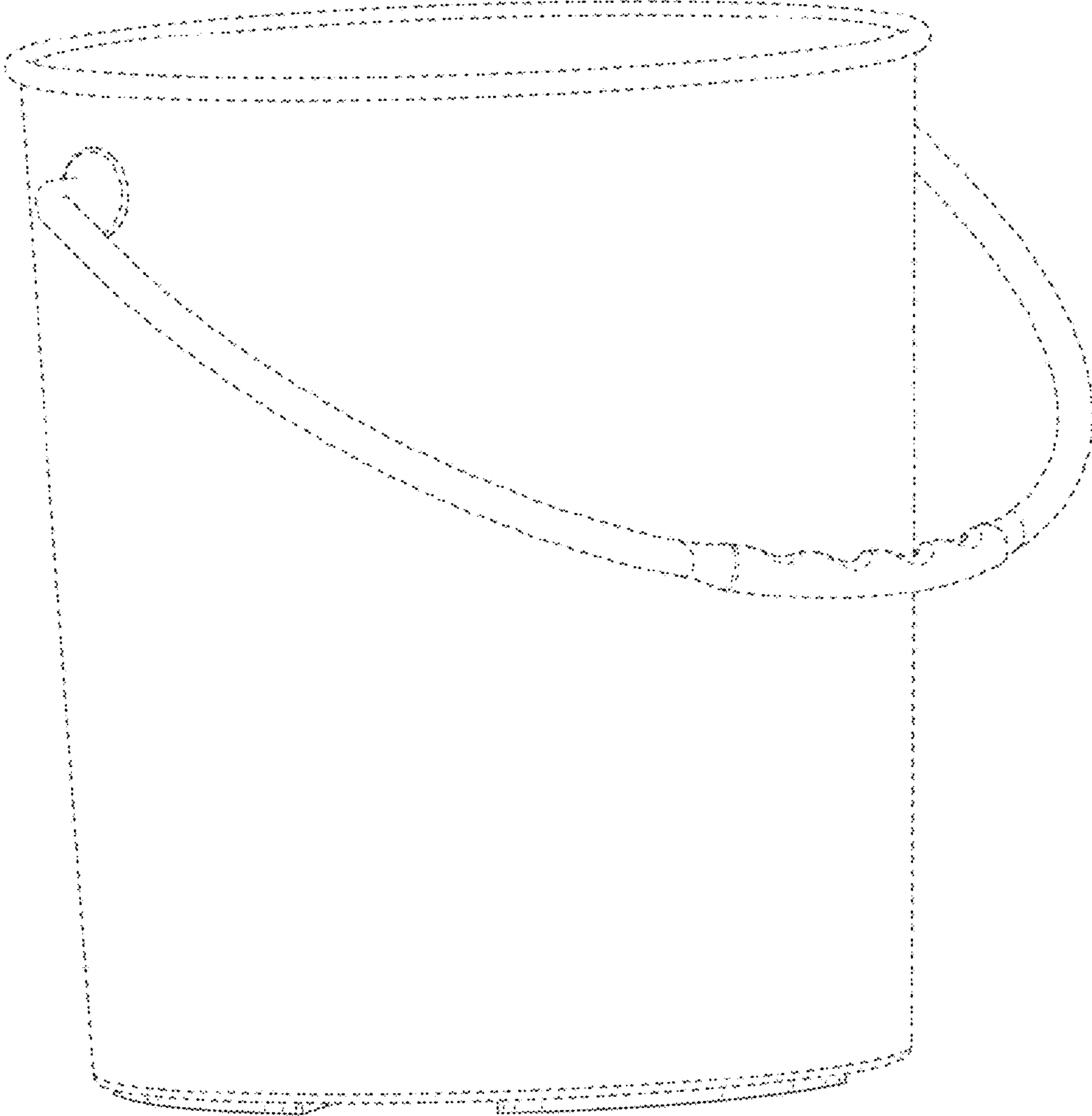


FIG. 1

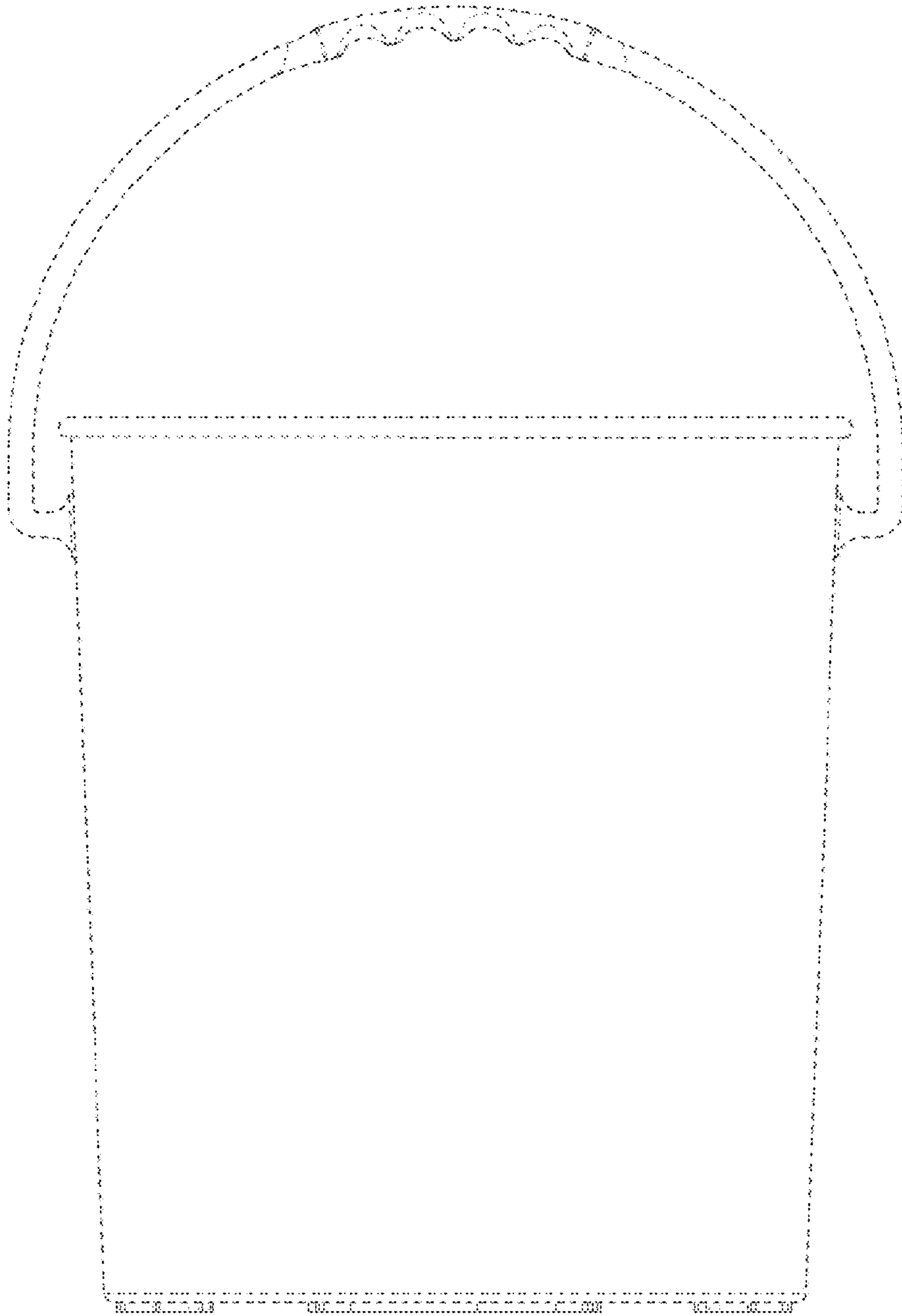


FIG. 2

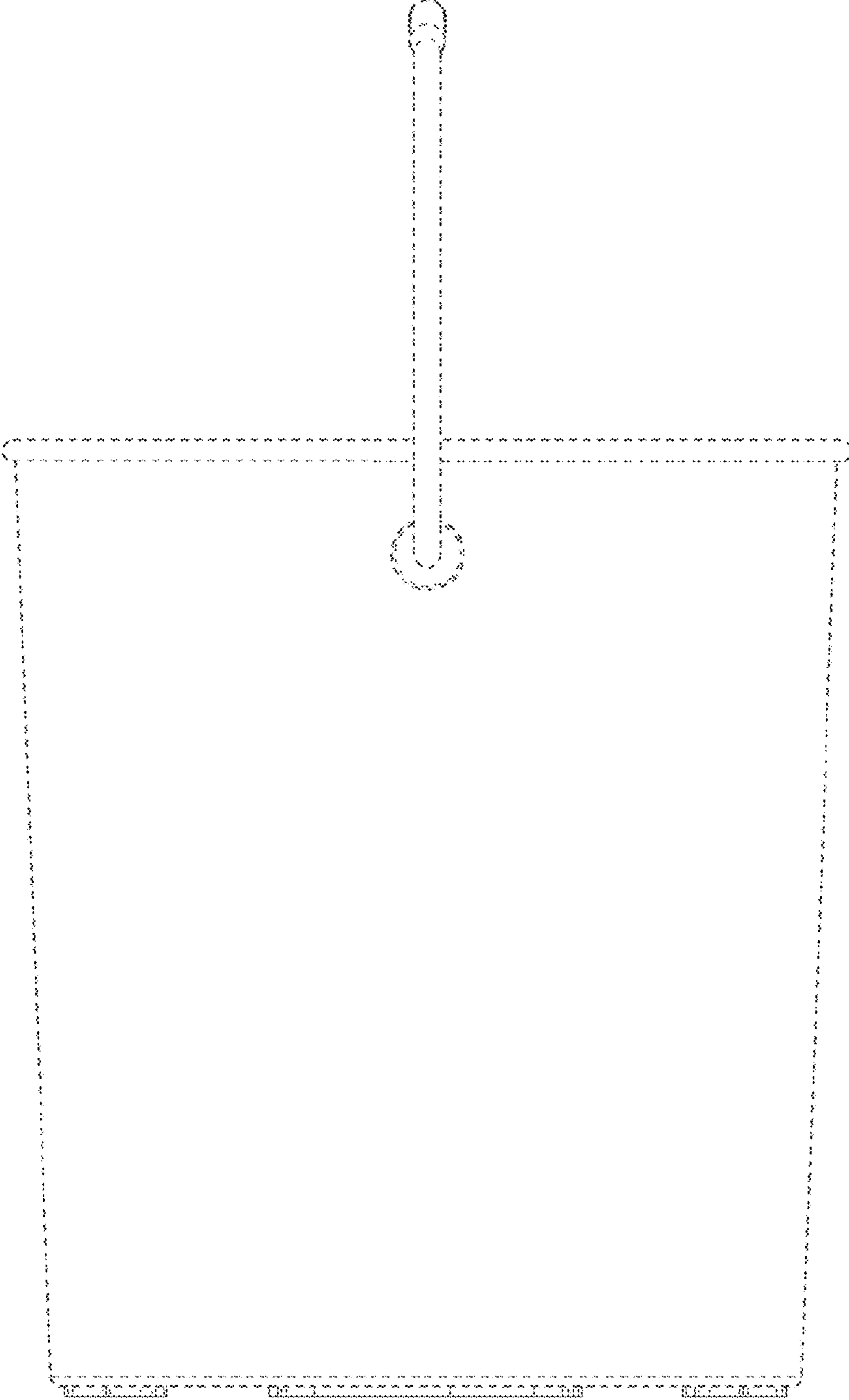


FIG. 3

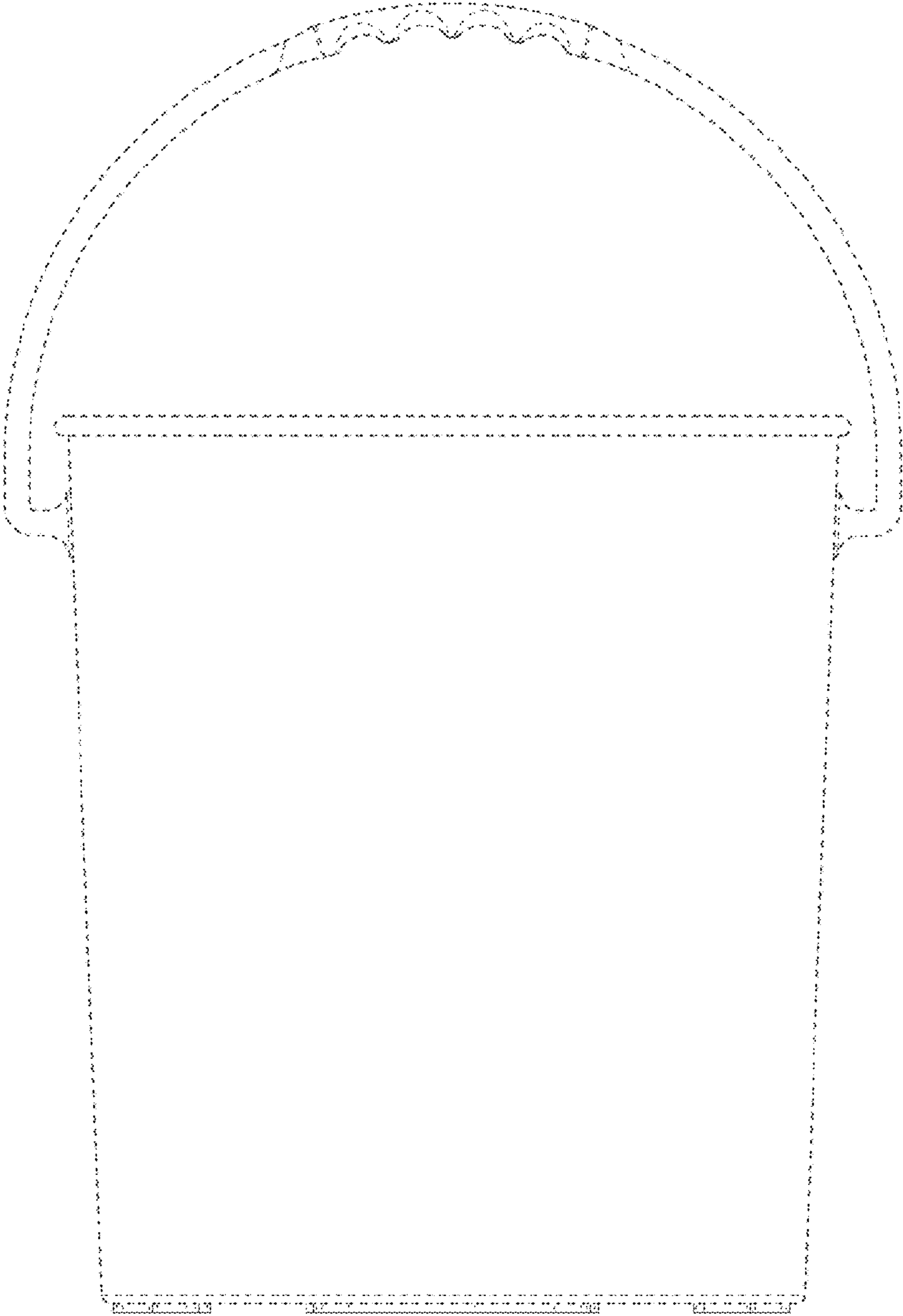


FIG. 4

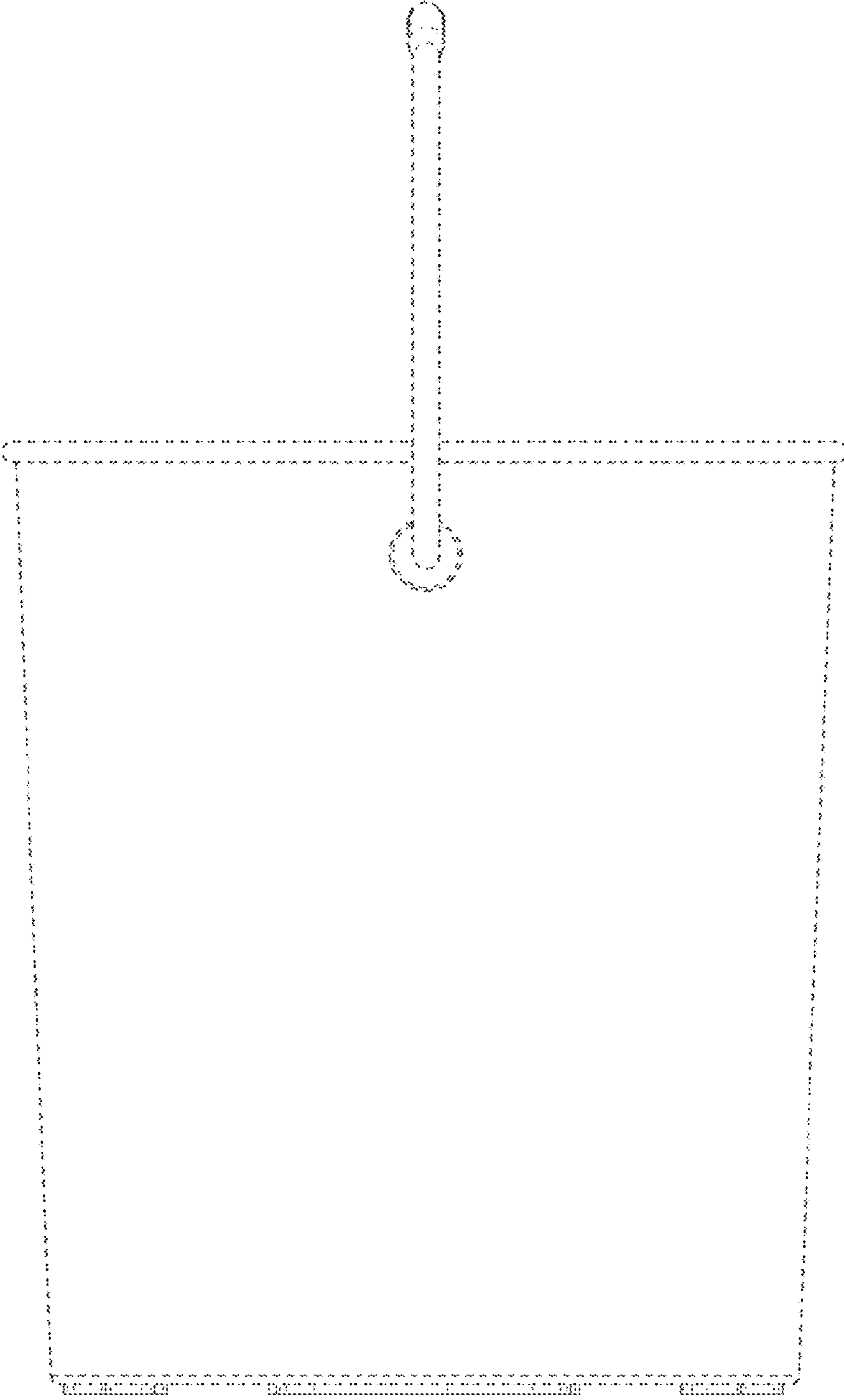


FIG. 5

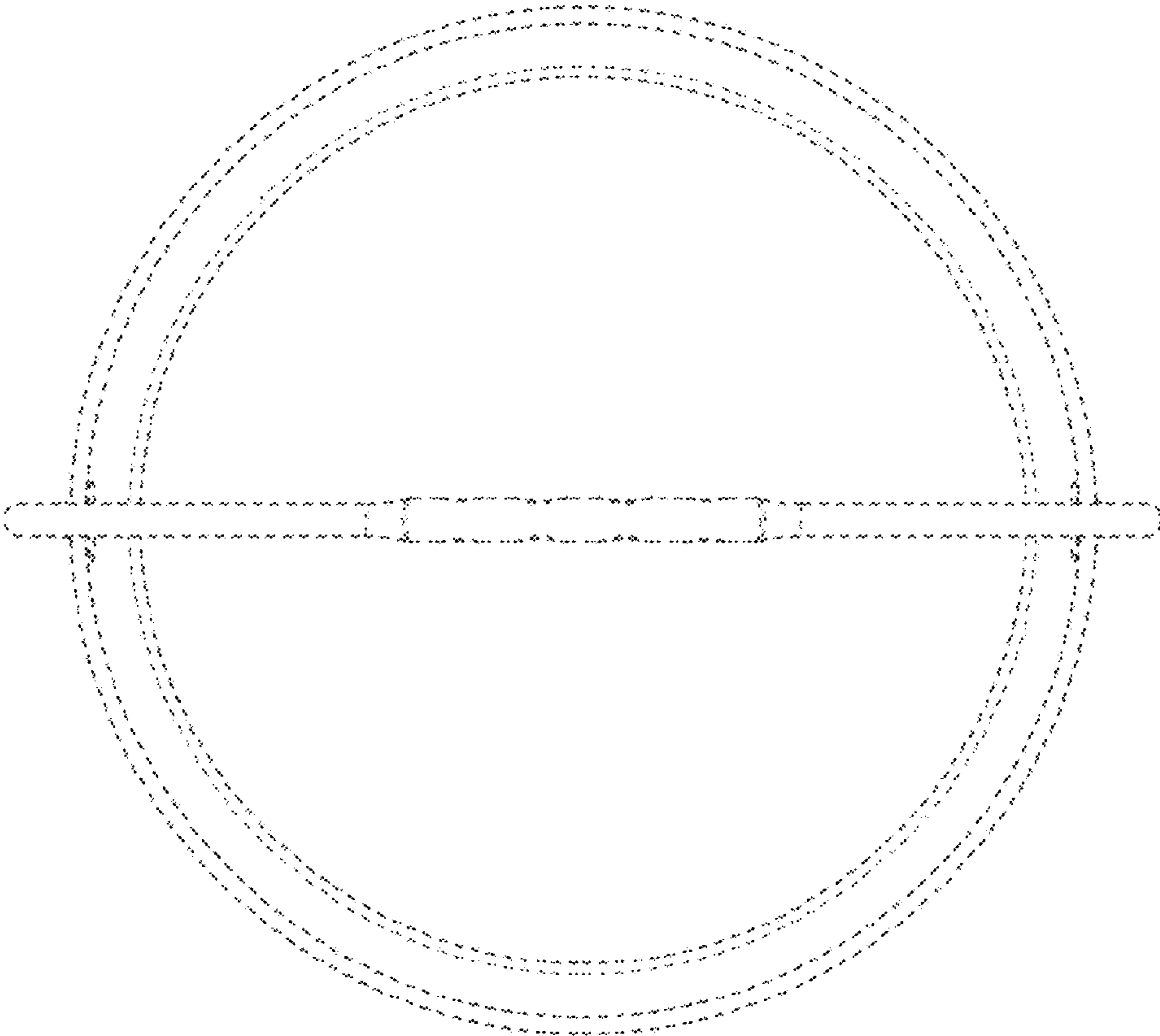


FIG. 6

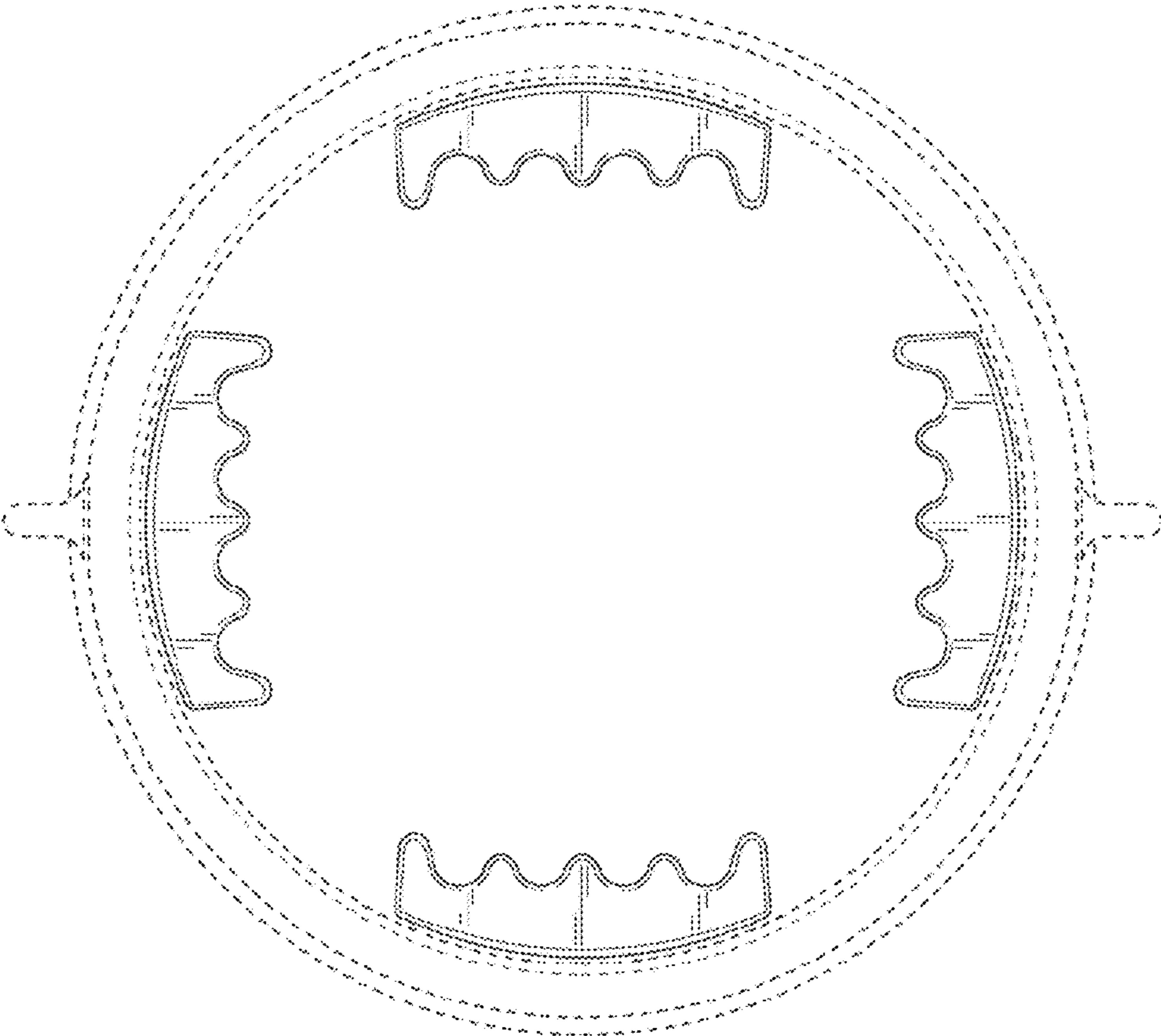


FIG. 7

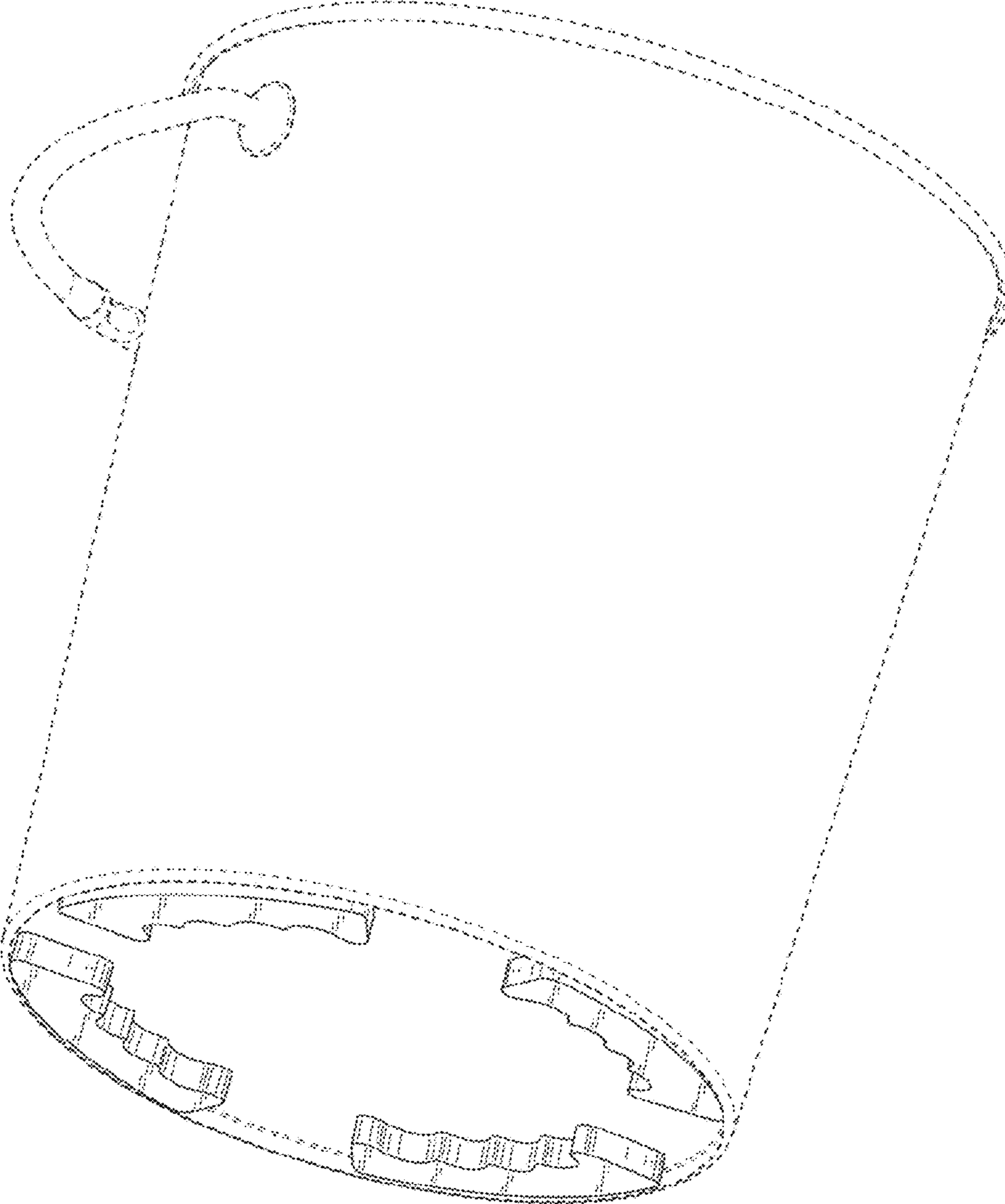


FIG. 8