



US00D819908S

(12) **United States Design Patent** (10) **Patent No.:** **US D819,908 S**
Danko (45) **Date of Patent:** **** Jun. 5, 2018**

(54) **CLEANING TOOL**

(71) Applicant: **Aileen Danko**, Plantation, FL (US)

(72) Inventor: **Aileen Danko**, Plantation, FL (US)

(**) Term: **15 Years**

(21) Appl. No.: **29/588,619**

(22) Filed: **Dec. 21, 2016**

(51) **LOC (11) Cl.** **07-05**

(52) **U.S. Cl.**

USPC **D32/50**

(58) **Field of Classification Search**

USPC D32/35, 41, 49, 50, 51; D4/199, 135,
D4/132

CPC A47L 13/254; A47L 13/46; A47L 13/60;
A47L 13/22; A47L 13/59; A47L 13/12;
B25G 3/38; B25G 1/06; B24B 37/042;
B24B 37/32; B24B 49/10; B24B 49/12;
B24B 37/005; B24B 37/20

See application file for complete search history.

(56) **References Cited**

U.S. PATENT DOCUMENTS

D284,897 S *	7/1986	Rubio	D32/50
D325,454 S *	4/1992	Schmidt	D32/51
D364,962 S *	12/1995	Vosbikian	D4/132
D404,923 S *	2/1999	Diaz	D4/115
D412,248 S *	7/1999	Berti	D32/50
D468,106 S *	1/2003	Robertson	D32/74
D473,028 S *	4/2003	Hay	D32/41
D492,489 S *	7/2004	Hay	D32/74
D496,509 S *	9/2004	Petner	D32/42
D509,659 S *	9/2005	Weaver	D4/135
D509,661 S *	9/2005	Berti	D4/199

D539,997 S *	4/2007	Hay	D32/35
D551,819 S *	9/2007	Kohs	D32/49
D584,022 S *	12/2008	Sampaio	D32/50
D597,719 S *	8/2009	McNeil	D32/51
D621,622 S *	8/2010	Giacolo	D4/199
D627,978 S *	11/2010	Libman	D4/199
D630,022 S *	1/2011	Giacolo	D4/199
D694,483 S *	11/2013	Hines	D32/50
D714,006 S *	9/2014	Sanchez	A46B 17/00 D32/35
D782,142 S *	3/2017	Troger	D32/50

* cited by examiner

Primary Examiner — Cynthia Ramirez

Assistant Examiner — Laura H Yu

(74) *Attorney, Agent, or Firm* — Nancy J. Flint, Attorney at Law, P.A.; Nancy J. Flint, Esq.

(57) **CLAIM**

The ornamental design for a cleaning tool, as shown and described.

DESCRIPTION

FIG. 1 is a front perspective view of a cleaning tool showing my new design;

FIG. 2 is a left side view of the cleaning tool, the right side view being a mirror image thereof;

FIG. 3 is a top view of the cleaning tool;

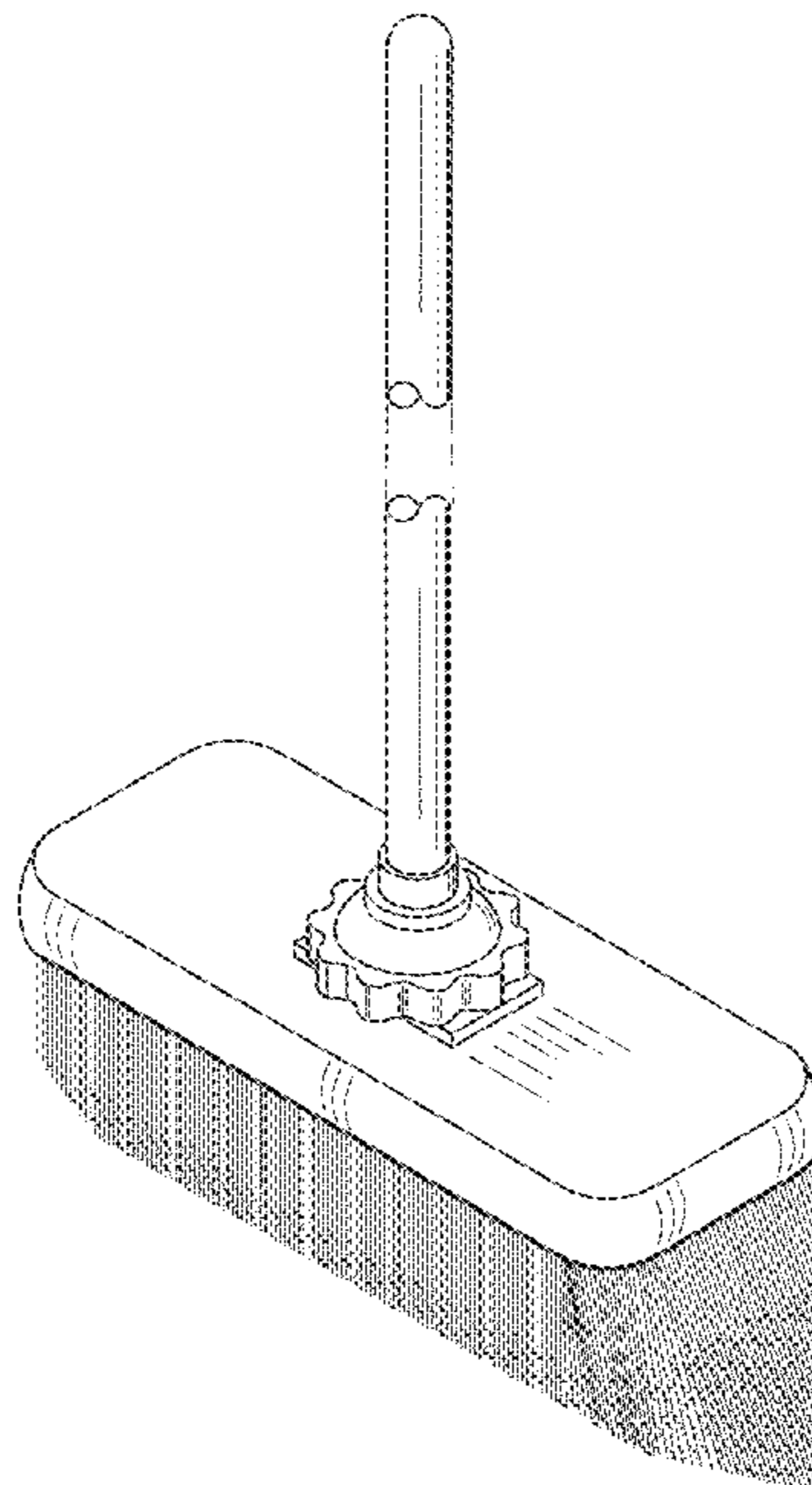
FIG. 4 is a bottom view of the cleaning tool;

FIG. 5 is a rear view of the cleaning tool; and,

FIG. 6 is a front view of the cleaning tool.

The handle of the cleaning tool is shown with a symbolic break in its length. The appearance of any portion of the article between the break lines forms no part of the claimed design.

1 Claim, 4 Drawing Sheets



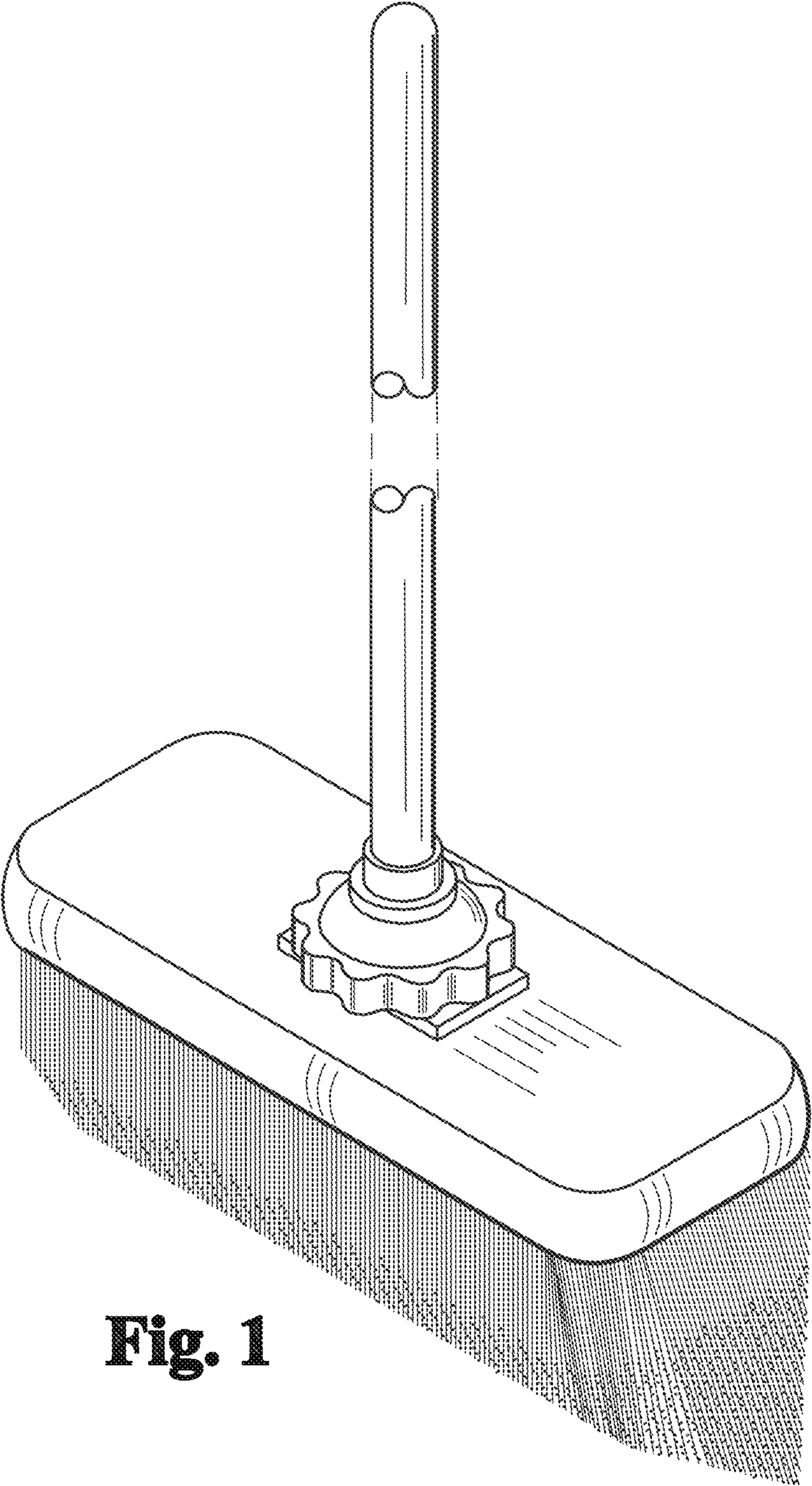


Fig. 1

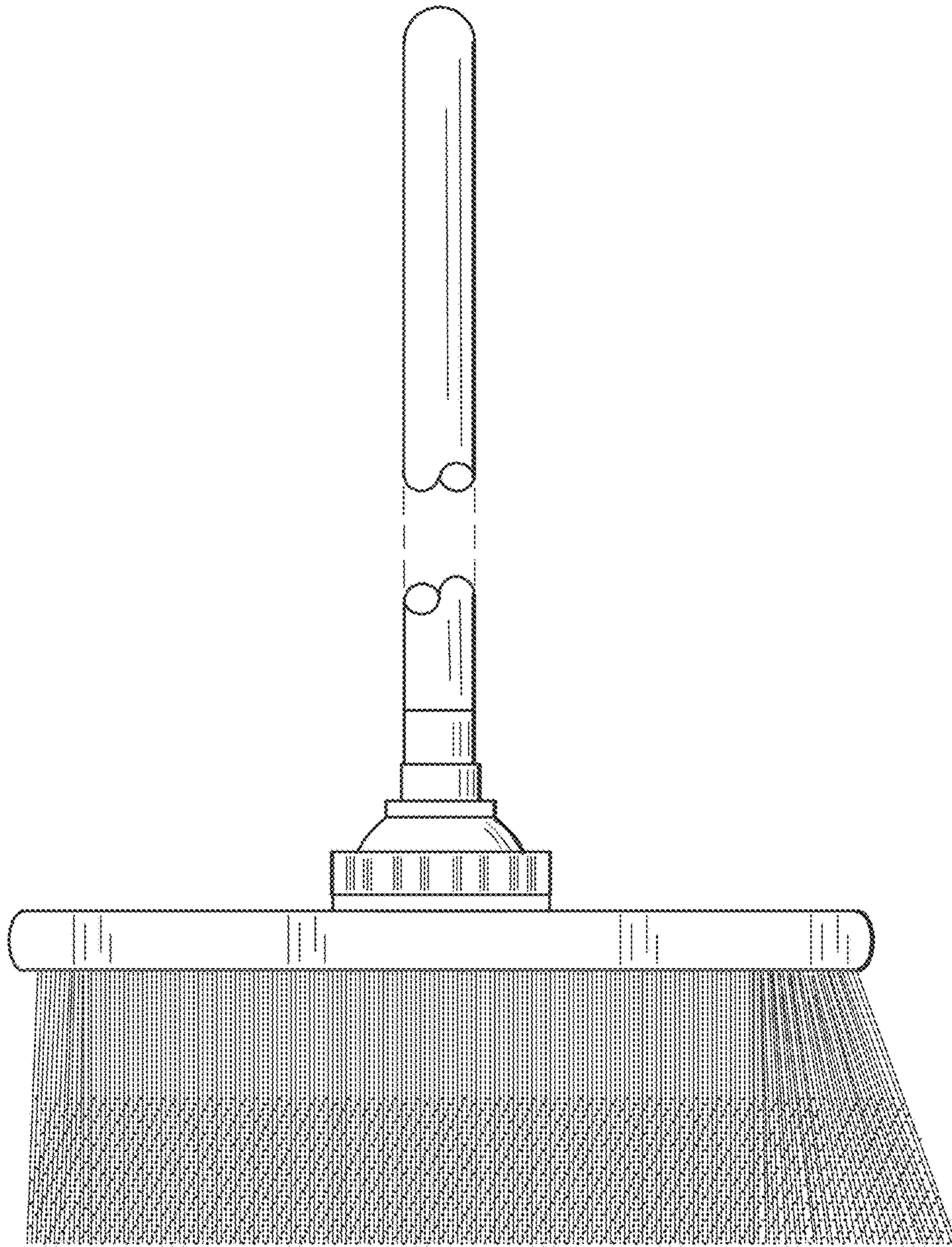


Fig. 2

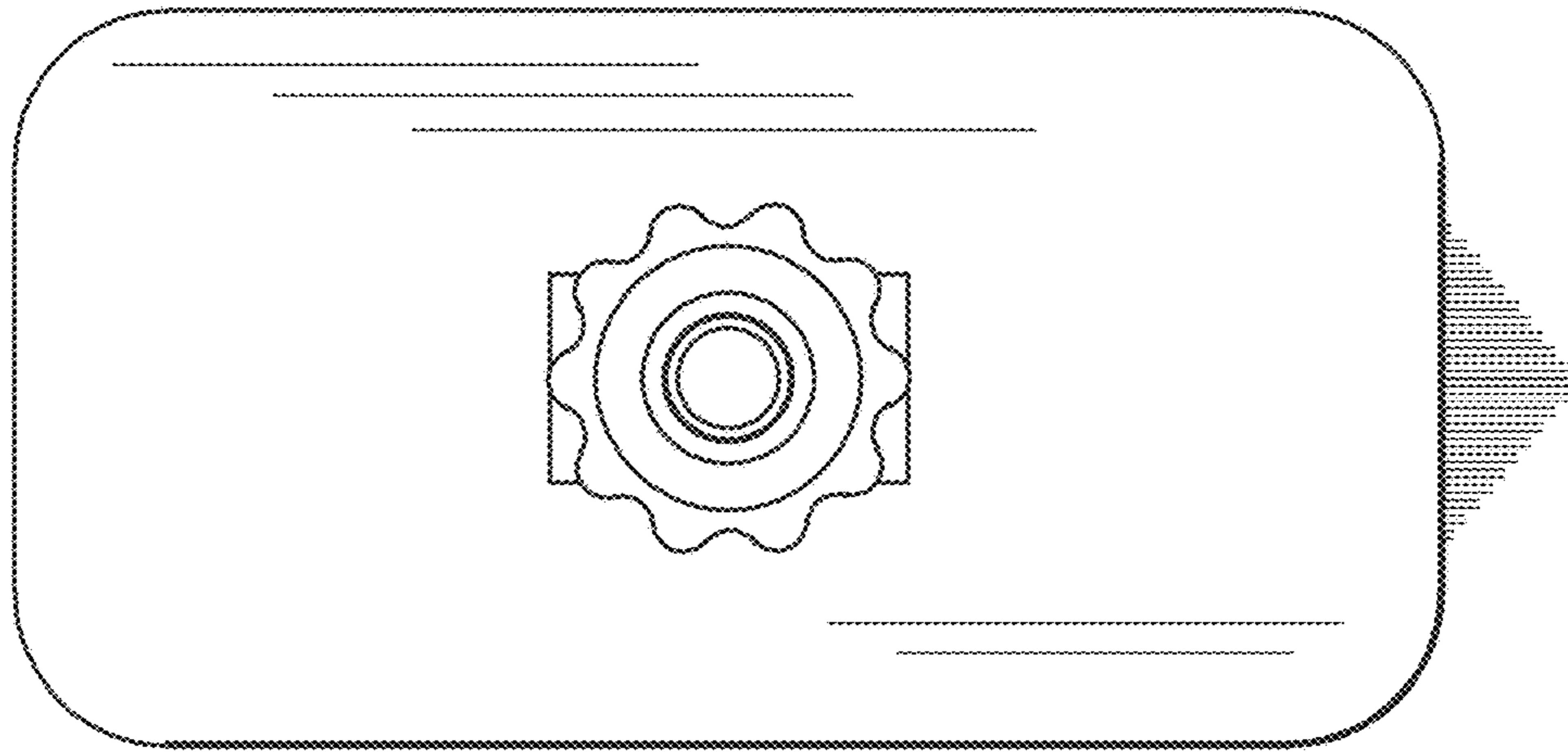


Fig. 3

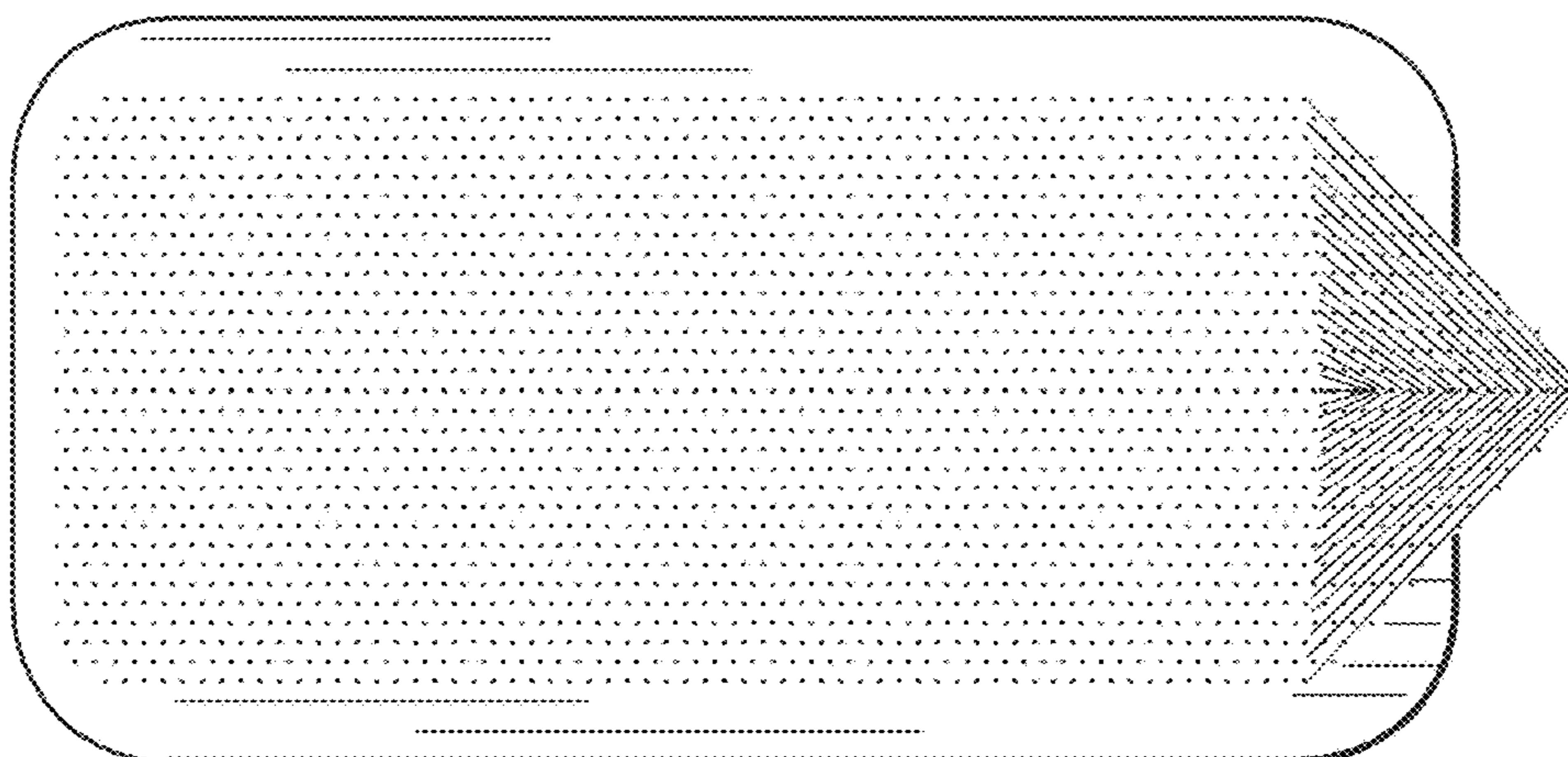


Fig. 4

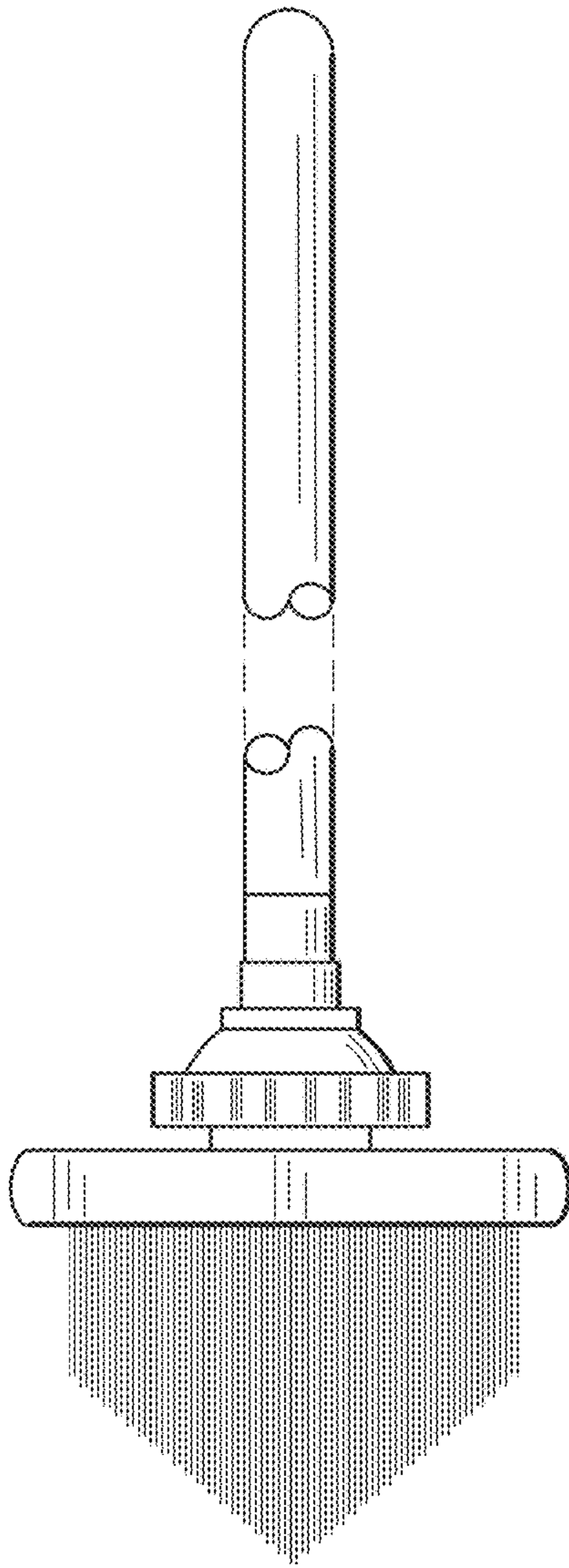


Fig. 5

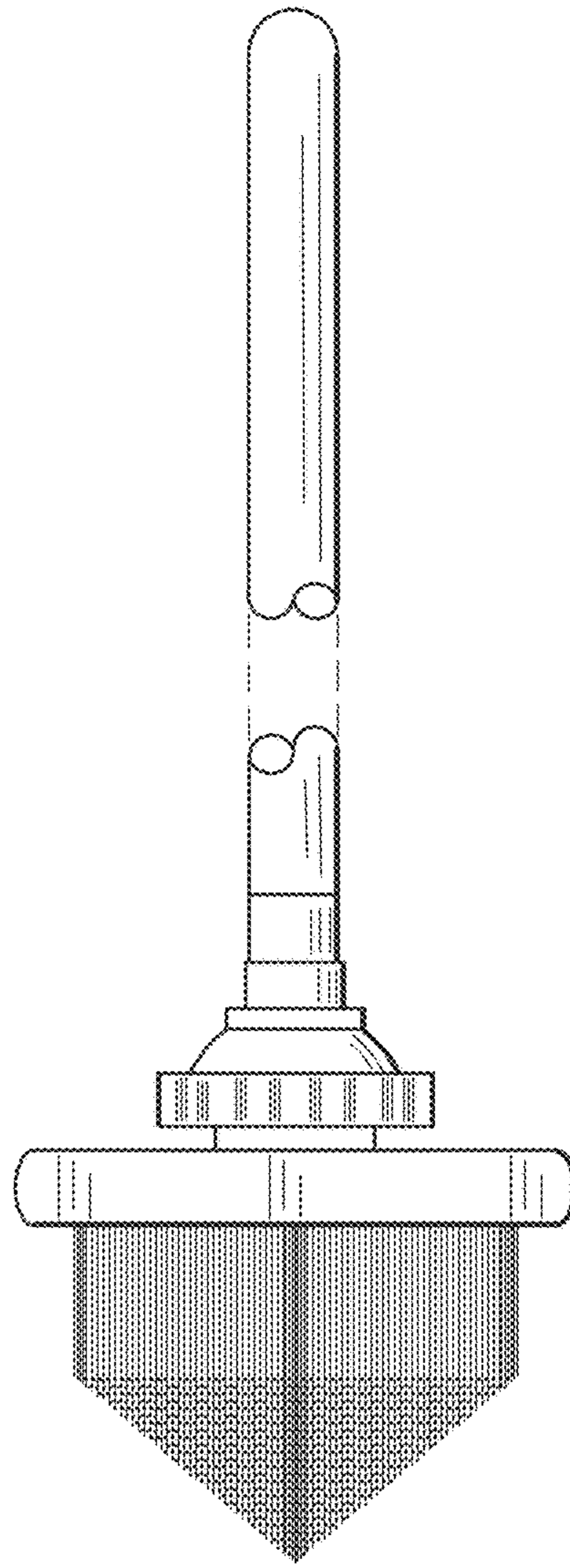


Fig. 6