



US00D819907S

(12) **United States Design Patent** (10) **Patent No.:** **US D819,907 S**
Fair et al. (45) **Date of Patent:** **** Jun. 5, 2018**

(54) **MOP HEAD**

(71) Applicant: **BONA AB**, Malmo (SE)

(72) Inventors: **Paul Fair**, Denver, CO (US); **Jamie Kummerfield**, Denver, CO (US)

(73) Assignee: **BONA AB**, Malmo (SE)

(**) Term: **15 Years**

(21) Appl. No.: **29/564,226**

(22) Filed: **May 11, 2016**

Related U.S. Application Data

(63) Continuation of application No. 14/733,658, filed on Jun. 8, 2015.

(51) **LOC (11) Cl.** **07-05**

(52) **U.S. Cl.**
USPC **D32/50**

(58) **Field of Classification Search**
USPC D32/40-43, 45-46, 50-52
CPC A46B 11/00; A47L 11/34; A47L 13/22;
A47L 13/24; A47L 13/20; A47L 13/256;
B65D 47/2018; B60K 15/0406; B60K
15/035; B25G 3/36

See application file for complete search history.

(56) **References Cited**

U.S. PATENT DOCUMENTS

D250,245 S *	11/1978	Bebb	D32/50
5,397,622 A *	3/1995	Thomas	A47L 13/20 15/228
D406,932 S *	3/1999	Hodges	D32/50
D529,294 S *	10/2006	Van Lanningham, Jr.	D4/199
D544,668 S *	6/2007	Harper	D32/51
D549,414 S *	8/2007	Van Lanningham, Jr.	D32/50
D556,403 S *	11/2007	Hinder	D32/25
D569,064 S *	5/2008	Hinder	D32/25
D597,269 S *	7/2009	McNeil	D32/45
D657,928 S *	4/2012	Byrne	D32/50

D664,729 S *	7/2012	Robertson	D32/50
D673,748 S *	1/2013	Snyder	D32/45
D698,111 S *	1/2014	Casini	D32/50
D723,233 S *	2/2015	Gidwell	D32/50
D806,338 S *	12/2017	Metzel	D32/45
D806,969 S *	1/2018	Larouche	D32/33
2012/0227763 A1 *	9/2012	Hayes	A47L 13/22 134/6
2014/0215740 A1 *	8/2014	Zorzo	A47L 13/258 15/150

(Continued)

FOREIGN PATENT DOCUMENTS

CN 303372326 * 9/2015

OTHER PUBLICATIONS

Bona Hardwood Floor Mop Motion® | us.bona.com, reviews 2015, <https://us.bona.com/products/hardwood-floor-mop-motion.html>, site visited Jan. 18, 2018 (Year: 2015).*

Primary Examiner — John Windmuller

Assistant Examiner — John R Yeh

(74) *Attorney, Agent, or Firm* — William P. O'Meara

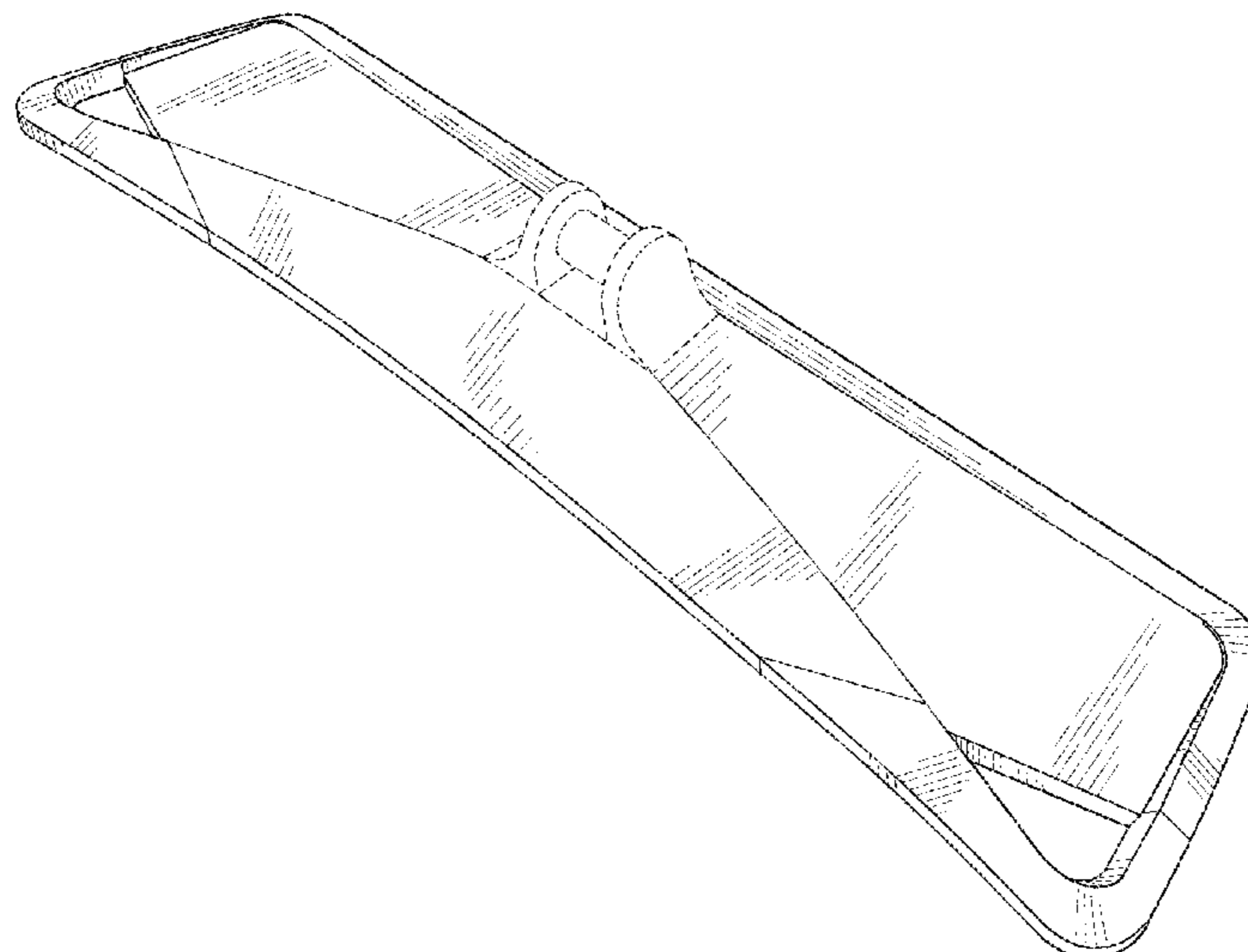
(57) **CLAIM**

The ornamental design for a mop head, as shown and described.

DESCRIPTION

FIG. 1 is a top plan view of a mop head showing our new design;
FIG. 2 is a bottom plan view thereof;
FIG. 3 is a right side elevation view thereof of which the left side elevation view is a mirror image;
FIG. 4 is a rear elevation view thereof; and,
FIG. 5 is a top isometric view thereof.
Features of the drawing figures shown in dashed lines are for illustrative purposes only and form no part of the claimed design.

1 Claim, 2 Drawing Sheets



(56)

References Cited

U.S. PATENT DOCUMENTS

2015/0128371 A1* 5/2015 Zorzo A47L 13/24
15/228
2015/0359401 A1 12/2015 Correll et al.
2015/0359402 A1 12/2015 Correll et al.
2016/0256029 A1* 9/2016 Weaver A47L 13/256
2017/0215686 A1* 8/2017 Smith A47L 13/256
2017/0245725 A1* 8/2017 Correll A47L 13/258
2017/0367555 A1* 12/2017 Zorzo A47L 13/44

* cited by examiner

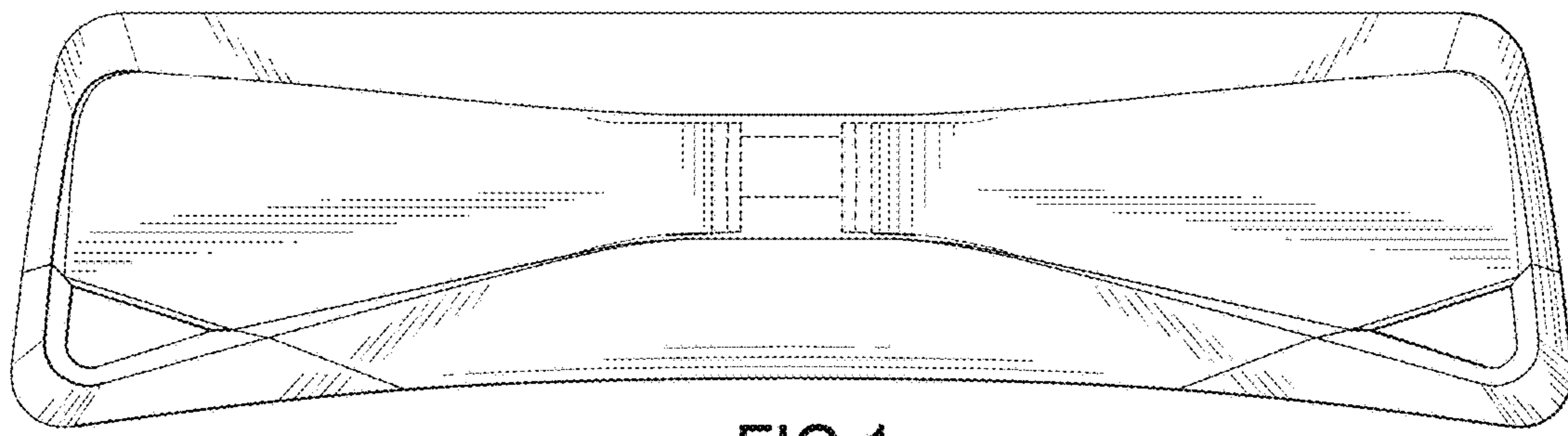


FIG. 1

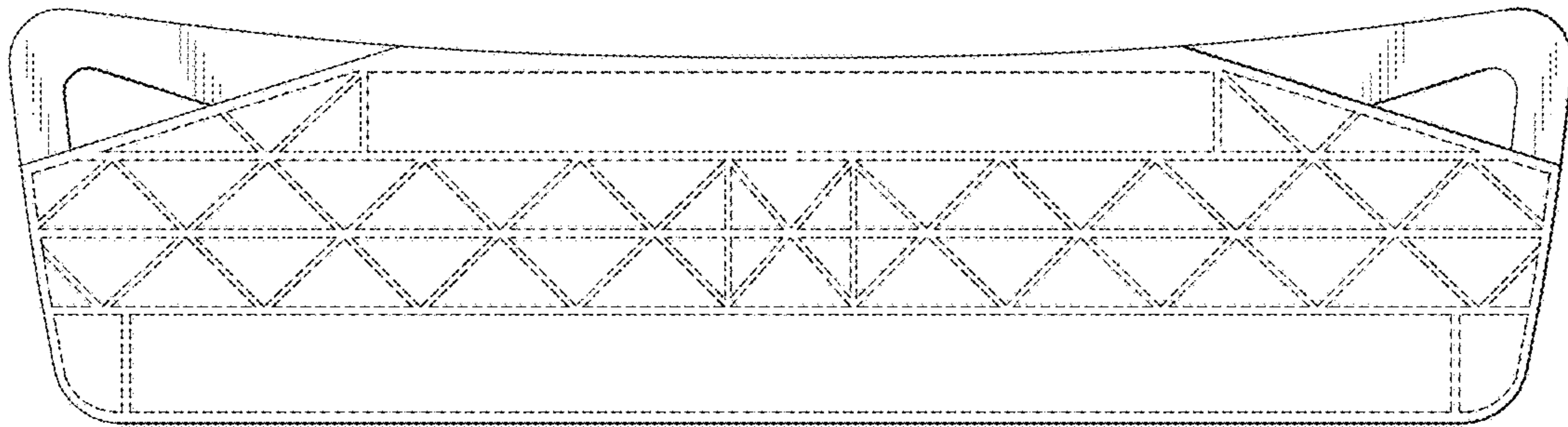


FIG. 2

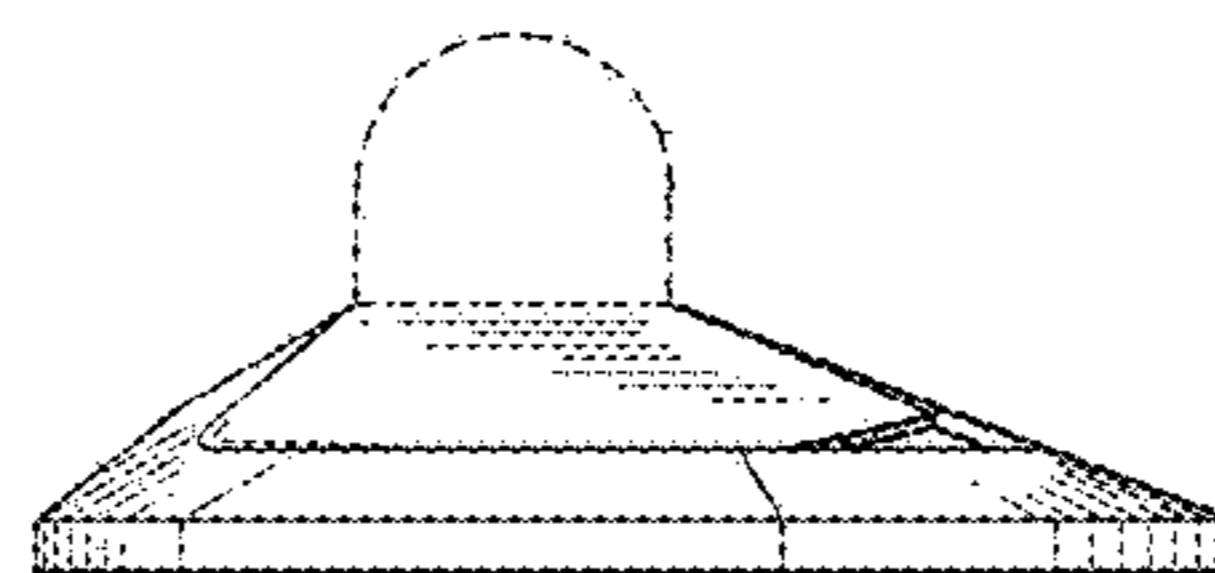


FIG. 3

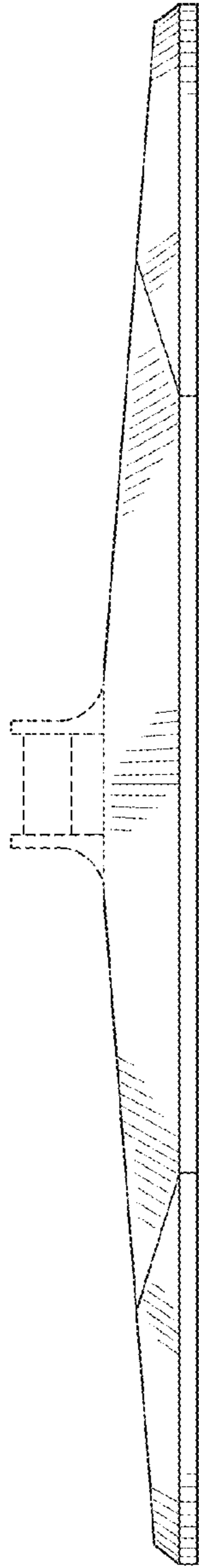


FIG.4

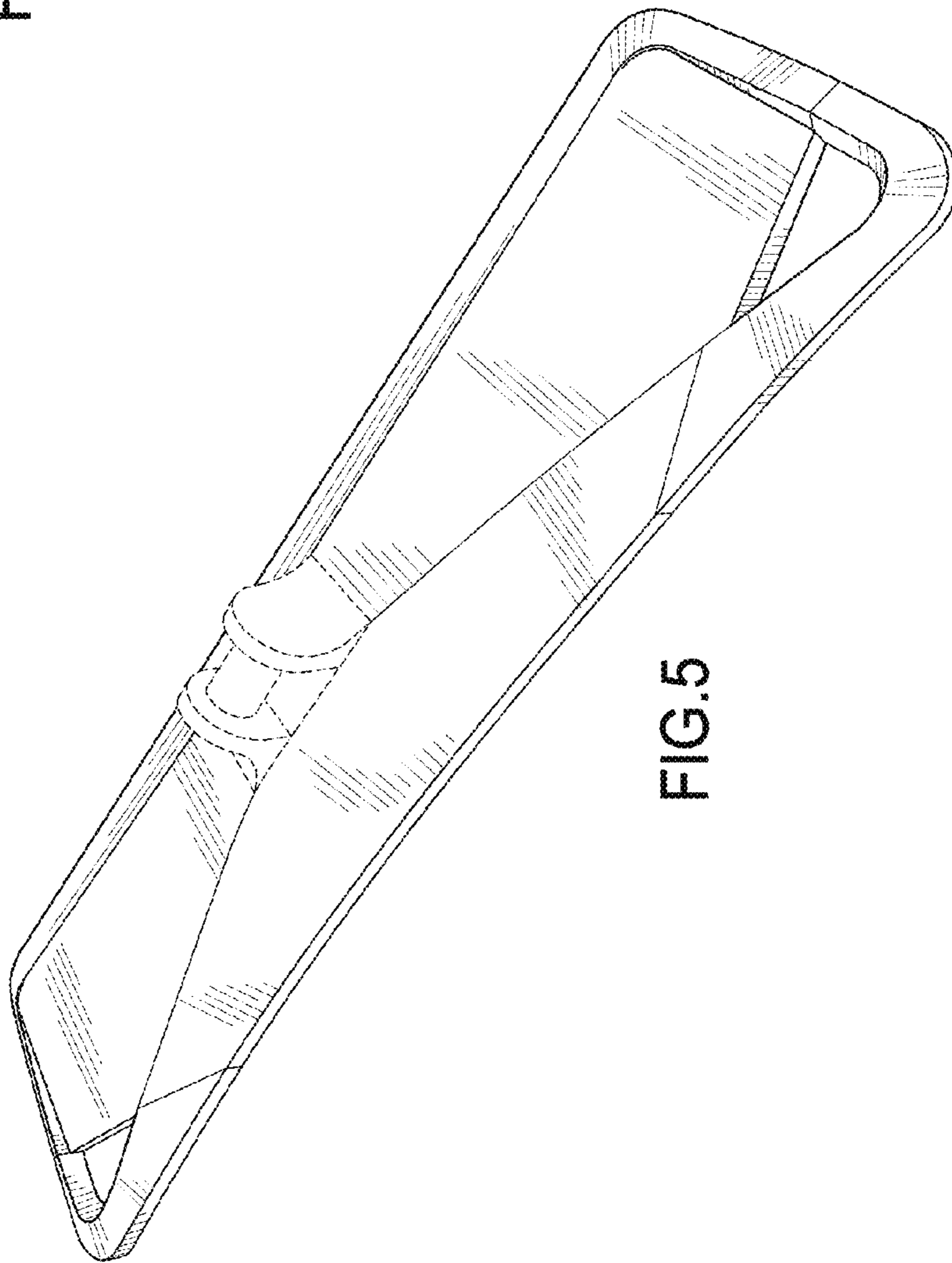


FIG.5