



US00D819905S

(12) **United States Design Patent** (10) **Patent No.:** **US D819,905 S**
Blom (45) **Date of Patent:** **** Jun. 5, 2018**

(54) **GROUT CLEANING MOP**
(71) Applicant: **Aquastar, Inc.**, Chino, CA (US)
(72) Inventor: **Dan Lennart Blom**, Chino, CA (US)
(73) Assignee: **Aquastar, Inc.**, Chino, CA (US)
(**) Term: **15 Years**
(21) Appl. No.: **29/588,983**
(22) Filed: **Dec. 27, 2016**

Related U.S. Application Data

(63) Continuation of application No. 15/243,125, filed on Aug. 22, 2016.
(51) **LOC (11) Cl.** **04-01**
(52) **U.S. Cl.**
USPC **D32/40**
(58) **Field of Classification Search**
USPC D32/40-42, 46-52; D8/33, 47, 90, 93;
D4/118, 199; D24/146-147
CPC A47L 1/06; A47L 13/24; A47L 15/0081
See application file for complete search history.

(56) **References Cited**
U.S. PATENT DOCUMENTS
D403,820 S * 1/1999 Chang D32/40
D525,403 S * 7/2006 Olsson D32/40
D585,612 S * 1/2009 Soller D32/40
7,958,592 B2 * 6/2011 Nobile A47L 13/58
15/228

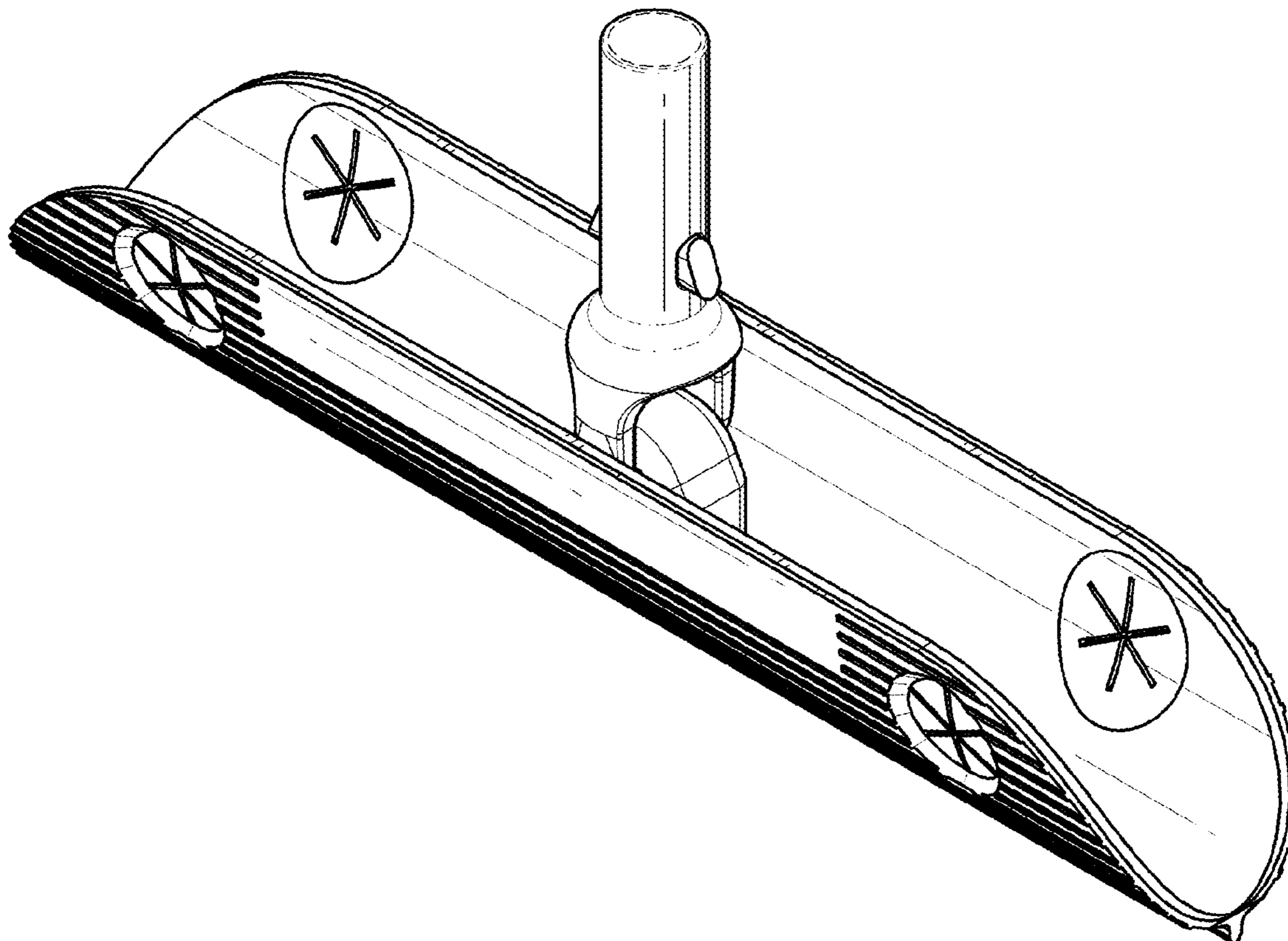
* cited by examiner
Primary Examiner — Randall H Gholson
(74) *Attorney, Agent, or Firm* — Kevin Schraven; Anooj Patel; Hankin Patent Law, APC

(57) **CLAIM**
The ornamental design for the grout cleaning mop, as shown and described.

DESCRIPTION

FIG. 1 is a top perspective view of one embodiment of the grout cleaning mop showing my new design.
FIG. 2 is a front elevational view thereof.
FIG. 3 is a rear elevational view thereof
FIG. 4 is a side elevational view thereof.
FIG. 5 is a top side elevational view thereof; and,
FIG. 6 is a bottom plan view thereof.

1 Claim, 5 Drawing Sheets



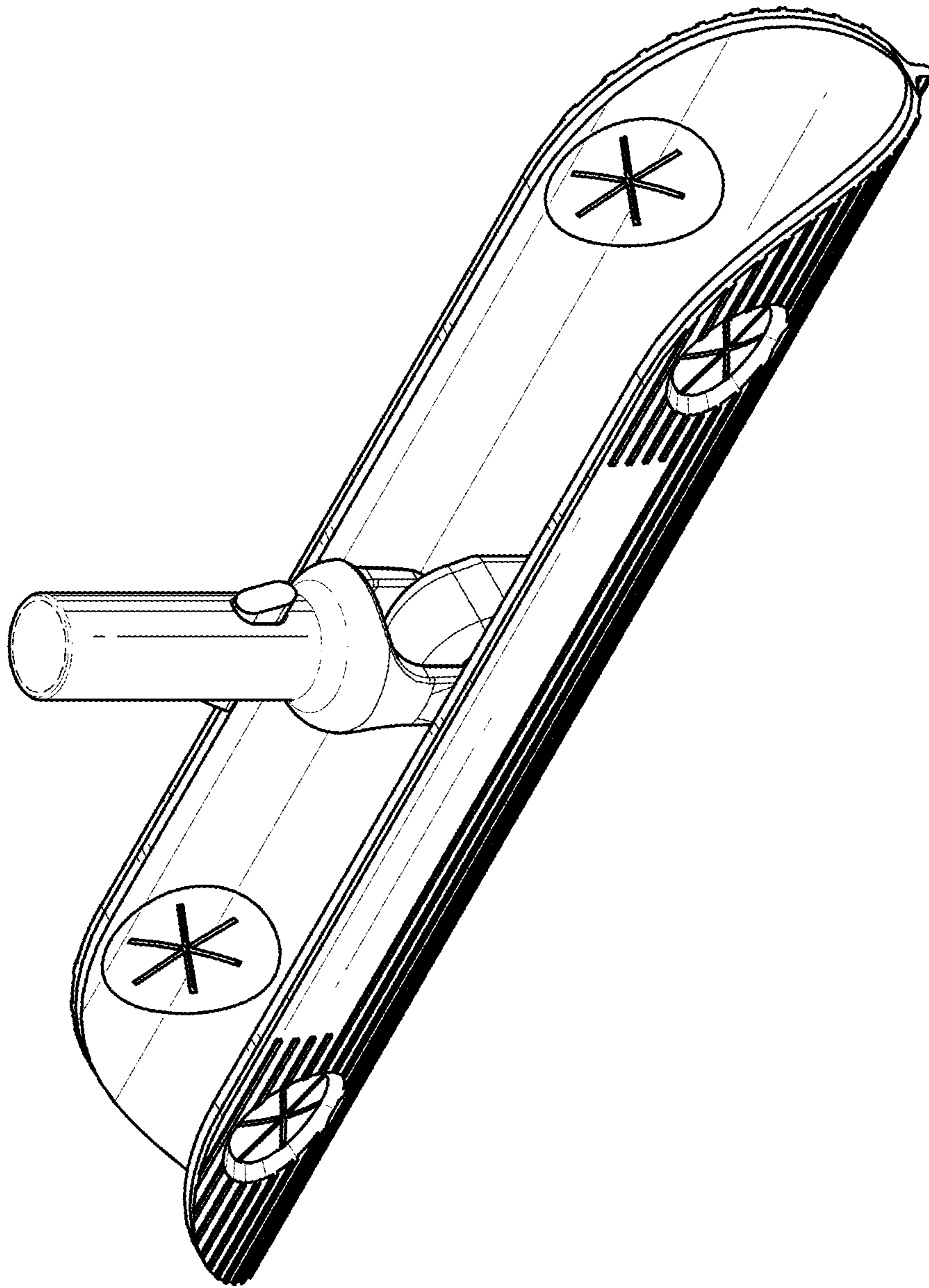


FIG. 1

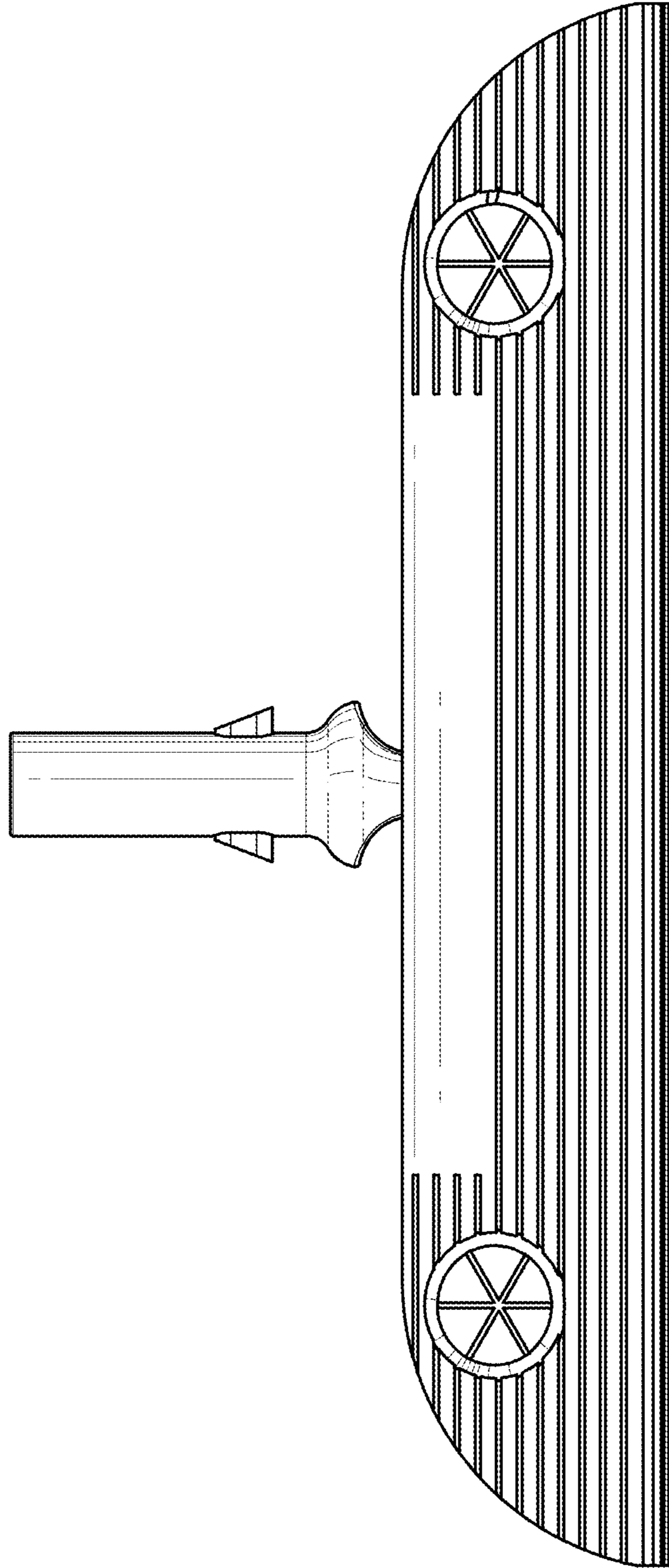


FIG. 2

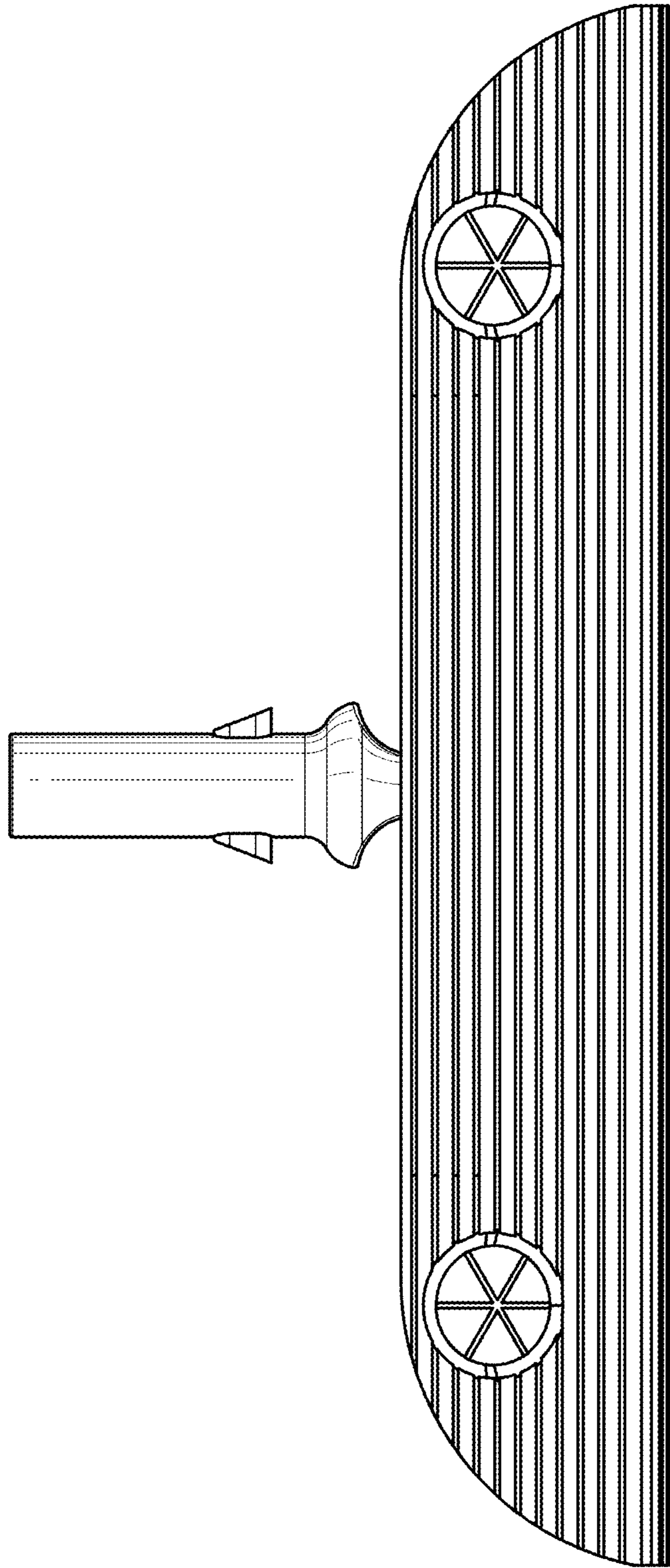


FIG. 3

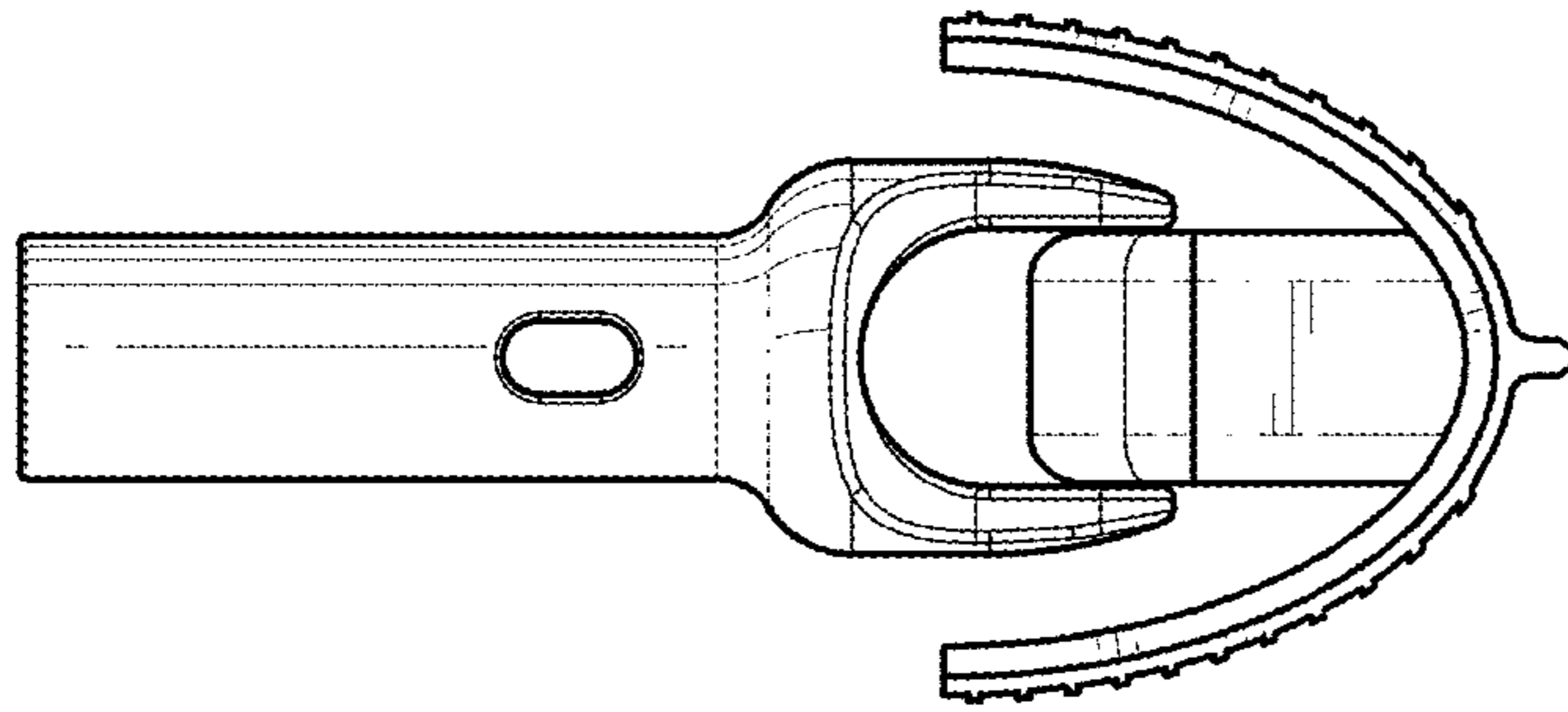


FIG. 4

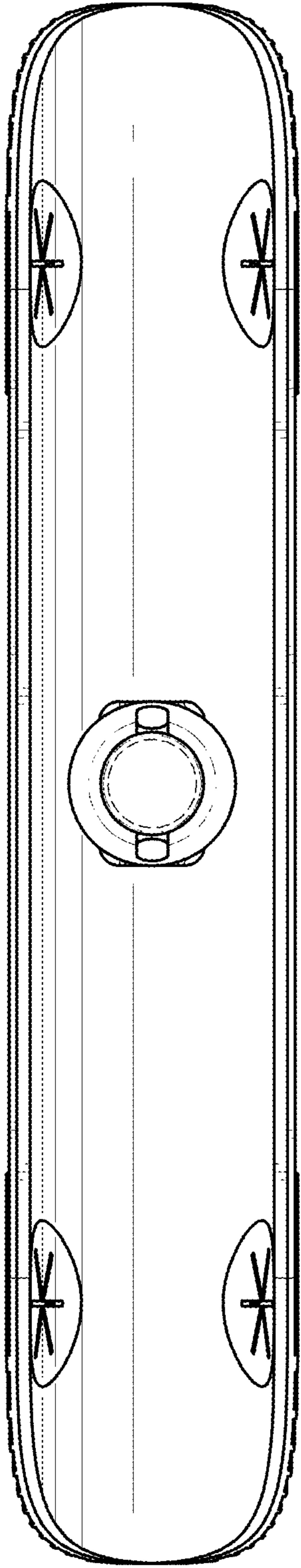


FIG. 5

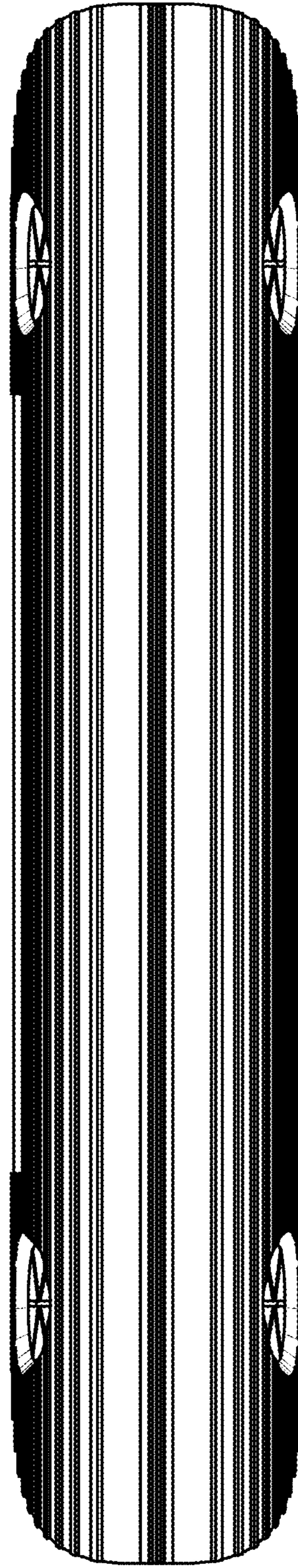


FIG. 6