



US00D819904S

(12) **United States Design Patent** (10) **Patent No.:** **US D819,904 S**
Measom et al. (45) **Date of Patent:** **** Jun. 5, 2018**

(54) **GEAR DRYER**

(71) Applicant: **Dwell Outdoors, LLC**, Salt Lake City, UT (US)

(72) Inventors: **Ty Measom**, Logan, UT (US); **Brett Bennett**, Mantua, UT (US)

(73) Assignee: **Dwell Outdoors, LLC**, Salt Lake City, UT (US)

(**) Term: **15 Years**

(21) Appl. No.: **29/583,250**

(22) Filed: **Nov. 3, 2016**

(51) **LOC (11) Cl.** **15-05**

(52) **U.S. Cl.**
USPC **D32/8**

(58) **Field of Classification Search**
USPC D32/8, 58; 34/104, 381, 105; 392/382
CPC A47L 23/20; A47L 23/205; A43B 7/02;
A43D 3/1491; F26B 21/006; D06F 59/04
See application file for complete search history.

(56) **References Cited**

U.S. PATENT DOCUMENTS

D194,512 S *	2/1963	Donaldson	D32/58
4,136,464 A *	1/1979	Hay	A47L 23/20
				239/274
D383,276 S *	9/1997	Janney	D32/58
D412,231 S *	7/1999	Williams	D32/58
D563,619 S *	3/2008	Palese	D32/58
D616,537 S *	5/2010	Gosko-Sadowski	D23/393
D648,091 S *	11/2011	Southwick	D32/58

OTHER PUBLICATIONS

Boot Dryer posted by Gear Dryer posted date May 11, 2017, © Amazon, [online], [site visited Nov. 3, 2017]. Available from

Internet, <https://www.amazon.com/GearDryer-Freestanding-6-Pair-Glove-Dryer/dp/B071YZS4VB/>
ref=pd_sbs_193_3?_encoding=UTF8&psc=1
&refRID=GN8BY45ZHGCRHZ7MSB0B (Year: 2017).*
Drying System posted by Gear Dryer posted date Sep. 28, 2017, © YouTube, [online], [site visited Nov. 3, 2017]. Available from Internet, <https://www.youtube.com/watch?v=cNz81tPYihc> (Year: 2017).*
Boot Dryer posted by Gear Dryer posted date May 9, 2017, © Amazon, [online], [site visited Nov. 3, 2017]. Available from Internet, https://www.amazon.com/GearDryer-Mount-6-Pair-Rolling-Hardware/dp/B072F5KN5Y/ref=sr_1_18_sspa?ie=UTF8&qid=1509752762&sr=8-18-spons&keywords=gear+dryer&psc=1 (Year: 2014).*

* cited by examiner

Primary Examiner — Cynthia Ramirez

Assistant Examiner — Laura H Yu

(74) *Attorney, Agent, or Firm* — Preston P. Frischknecht; Project CIP

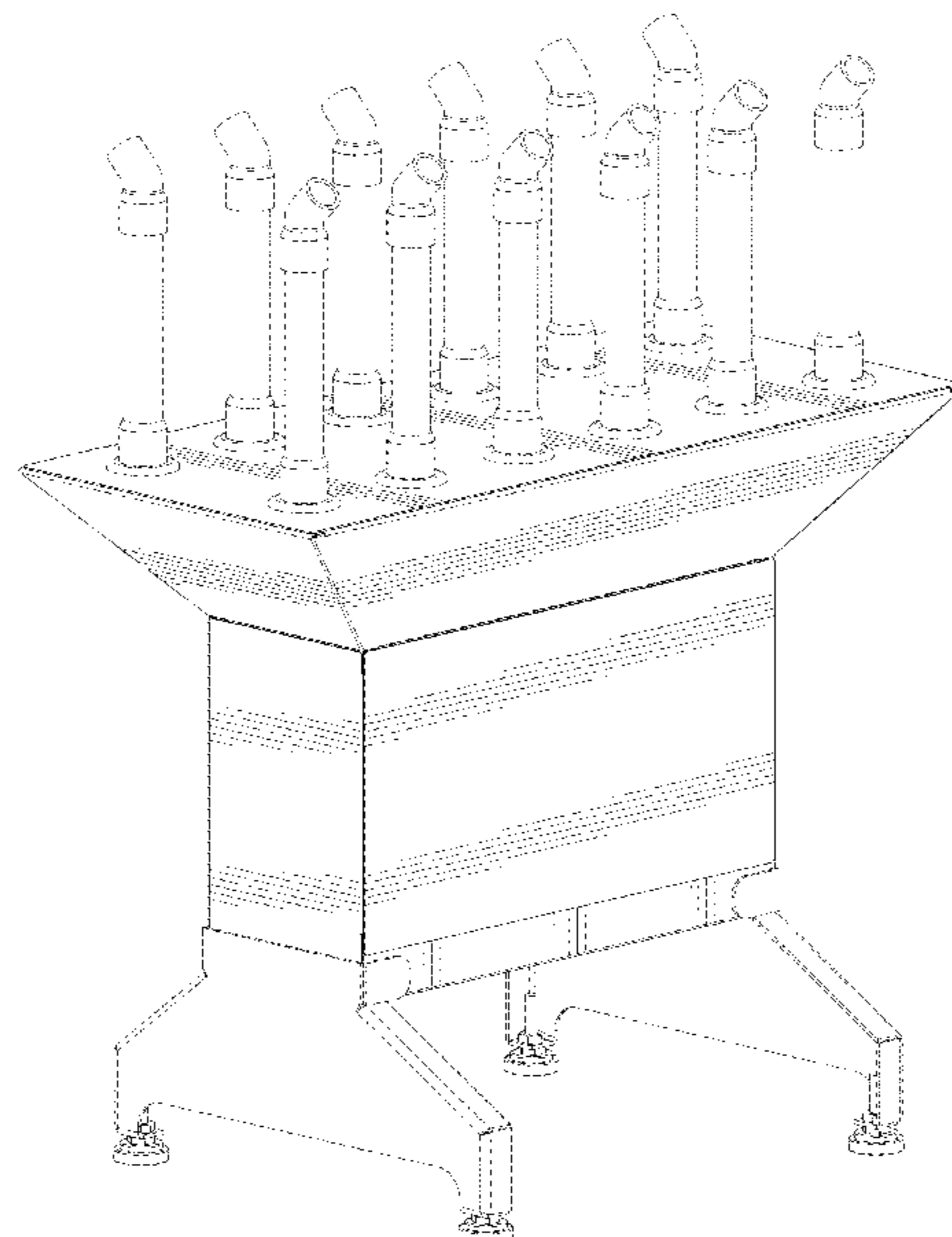
(57) **CLAIM**

The ornamental design for a gear dryer, as shown and described.

DESCRIPTION

FIG. 1 is a rear isometric view of a gear dryer showing our new design;
FIG. 2 is a front view;
FIG. 3 is a rear view;
FIG. 4 is a right side view;
FIG. 5 is a left side view;
FIG. 6 is a top view; and,
FIG. 7 is a bottom view.
The broken lines depict portions of the gear dryer that form no part of the claimed design.

1 Claim, 6 Drawing Sheets



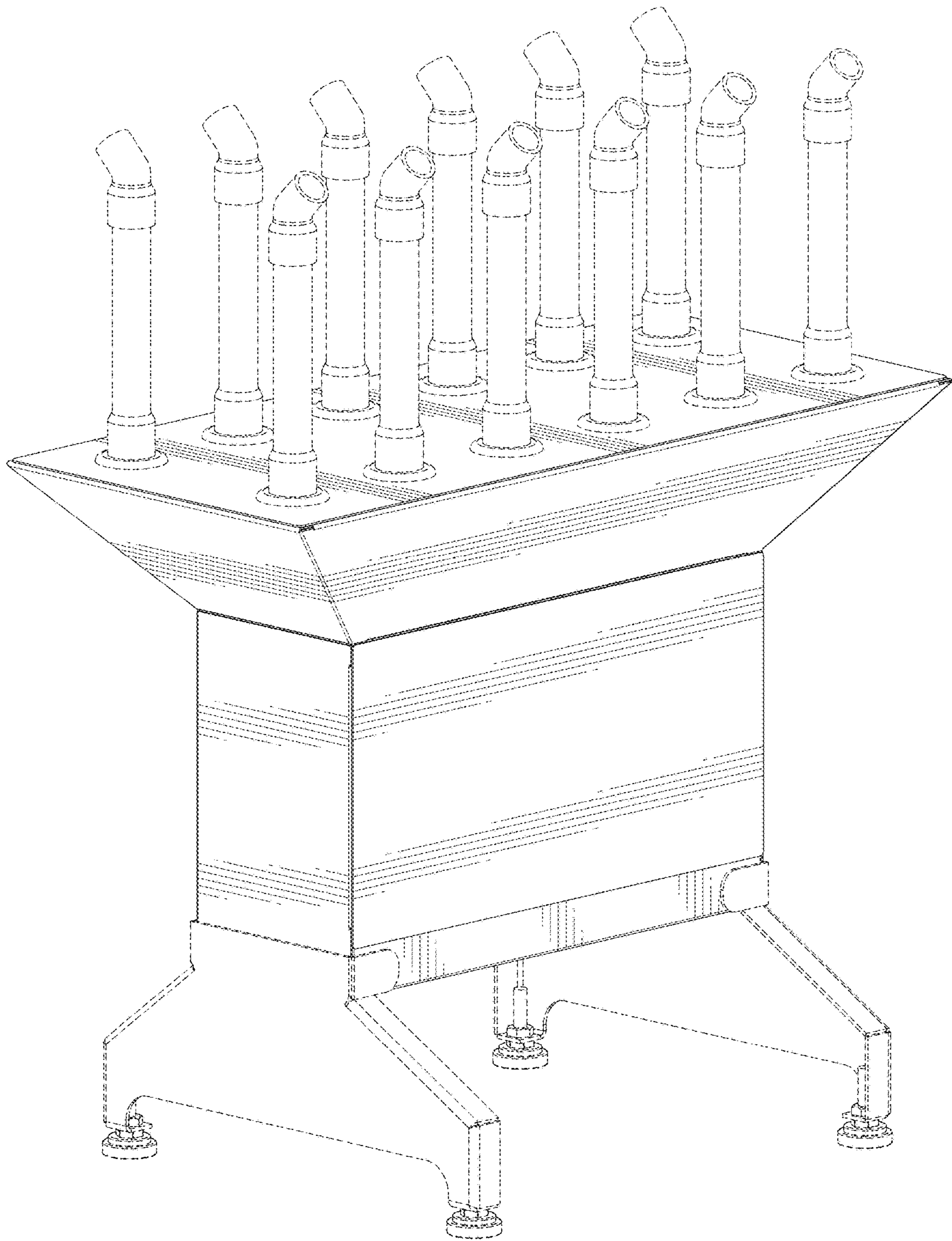


FIG. 1

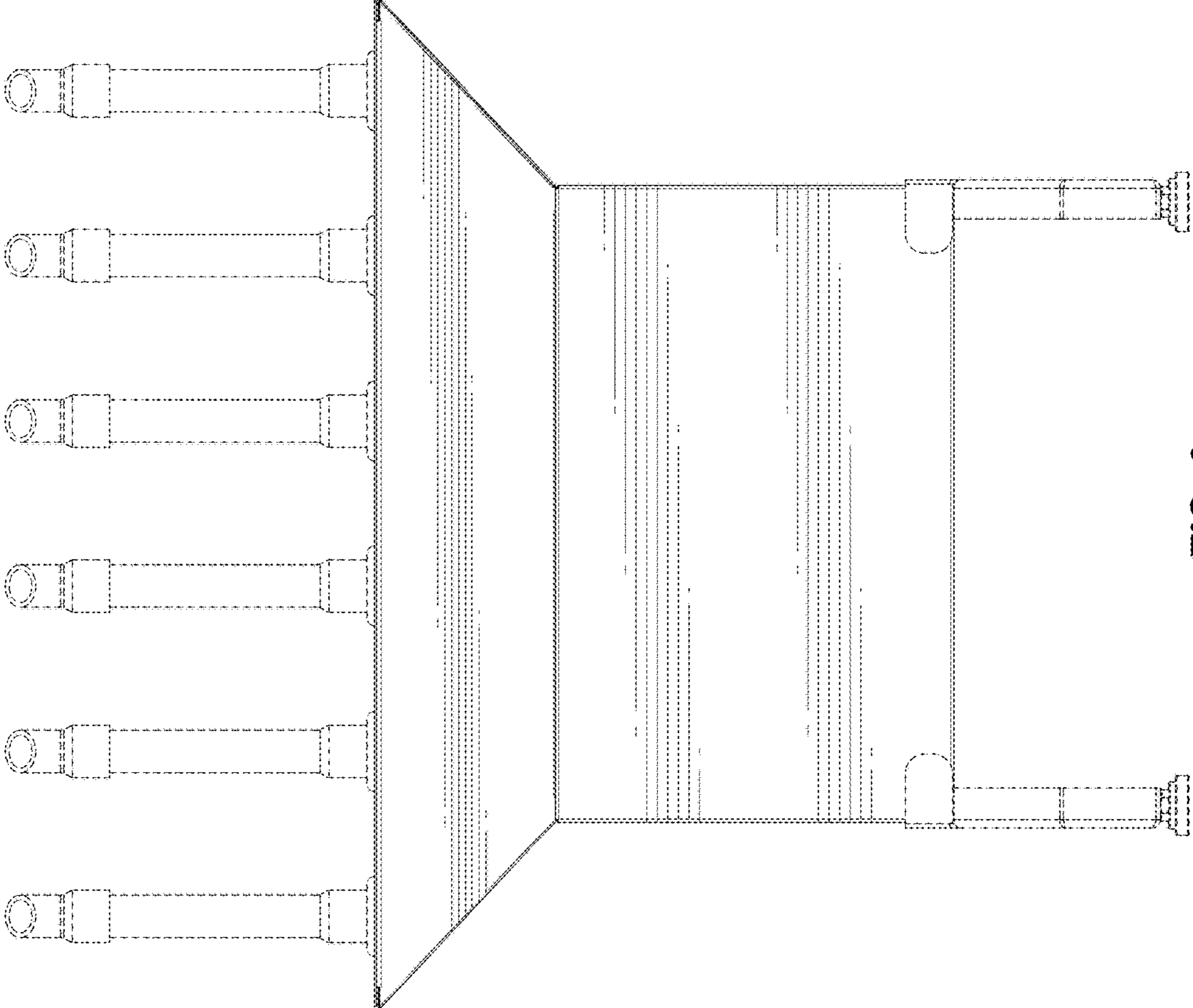


FIG. 2

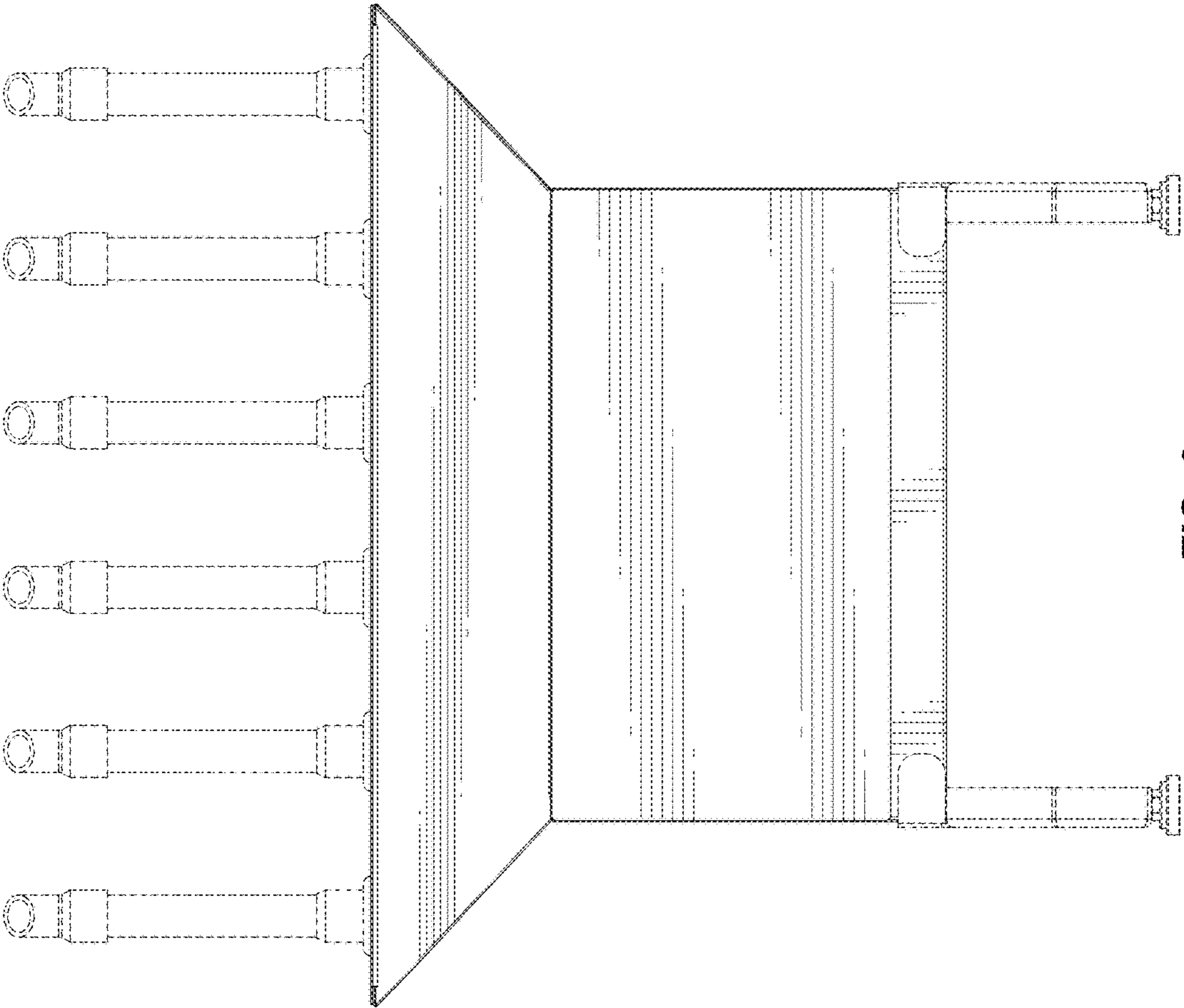


FIG. 3

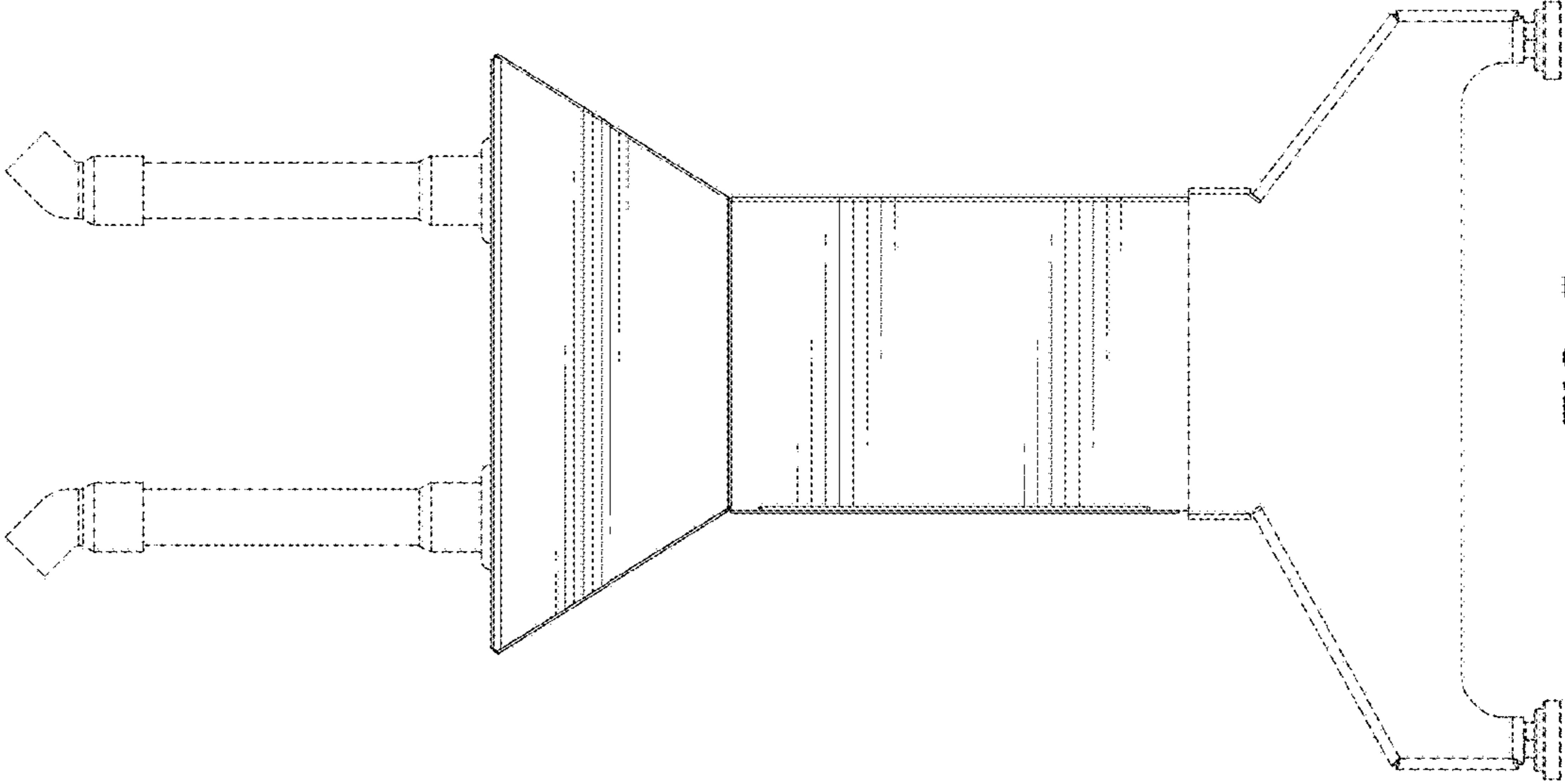


FIG. 5

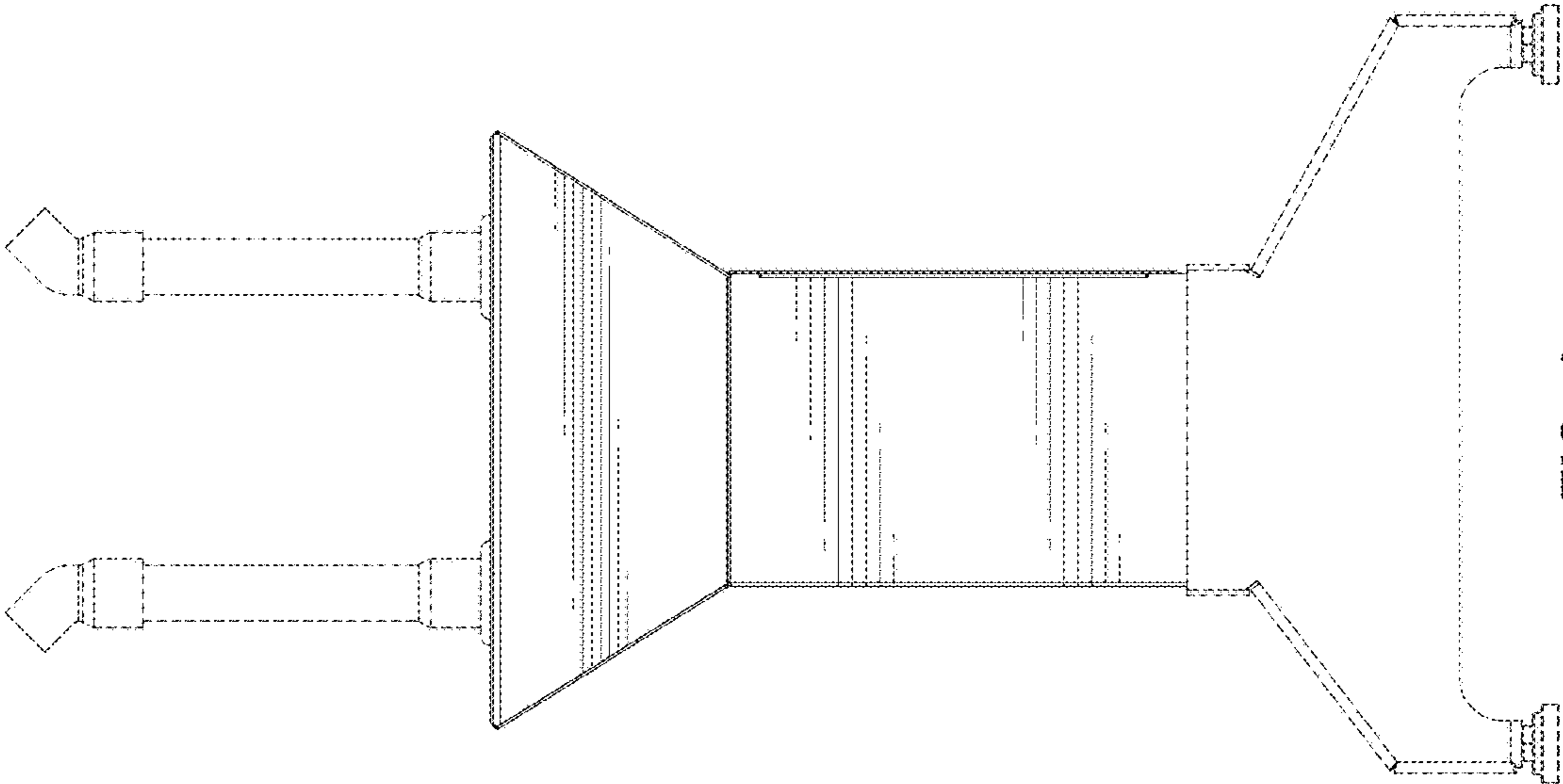


FIG. 4

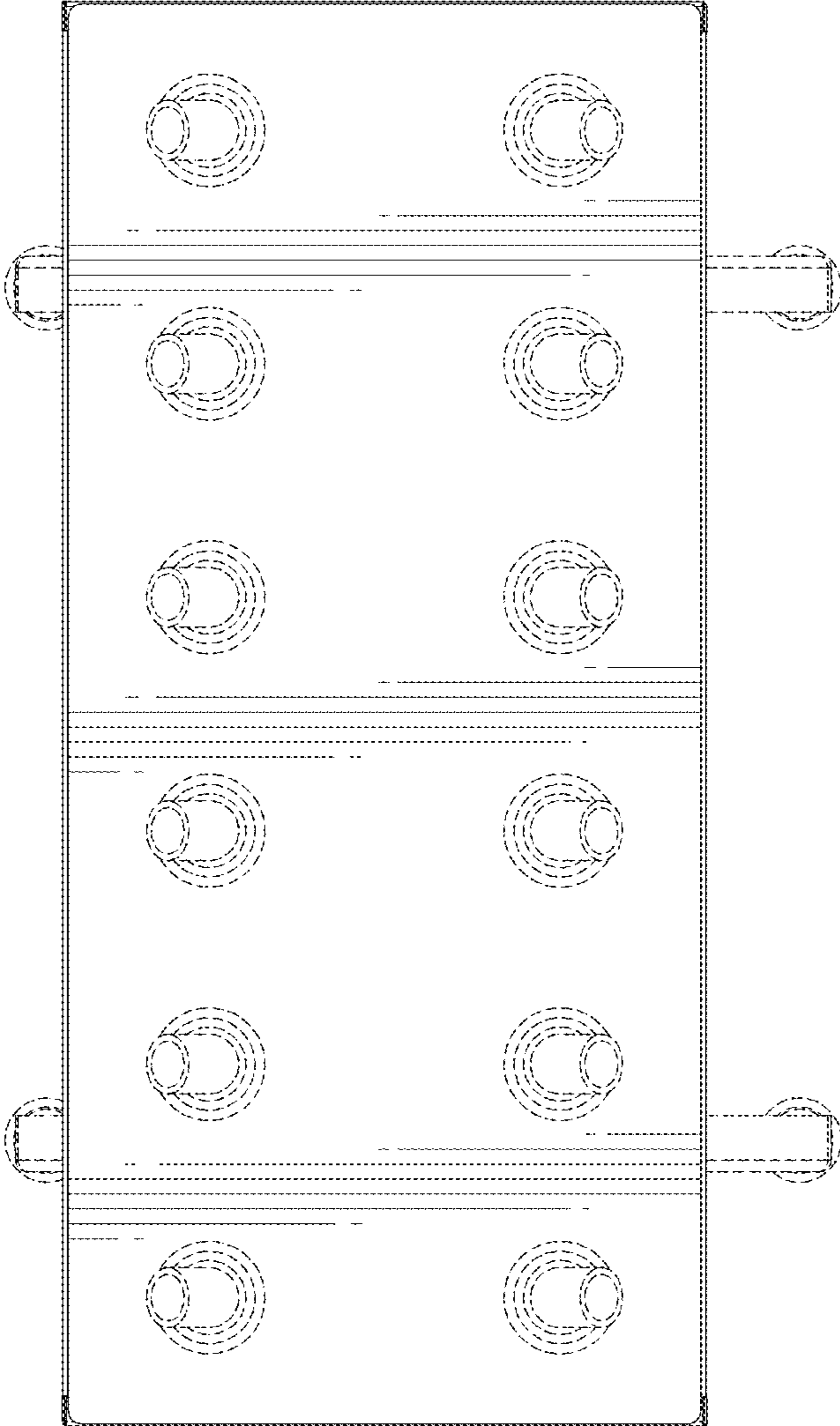


FIG. 6

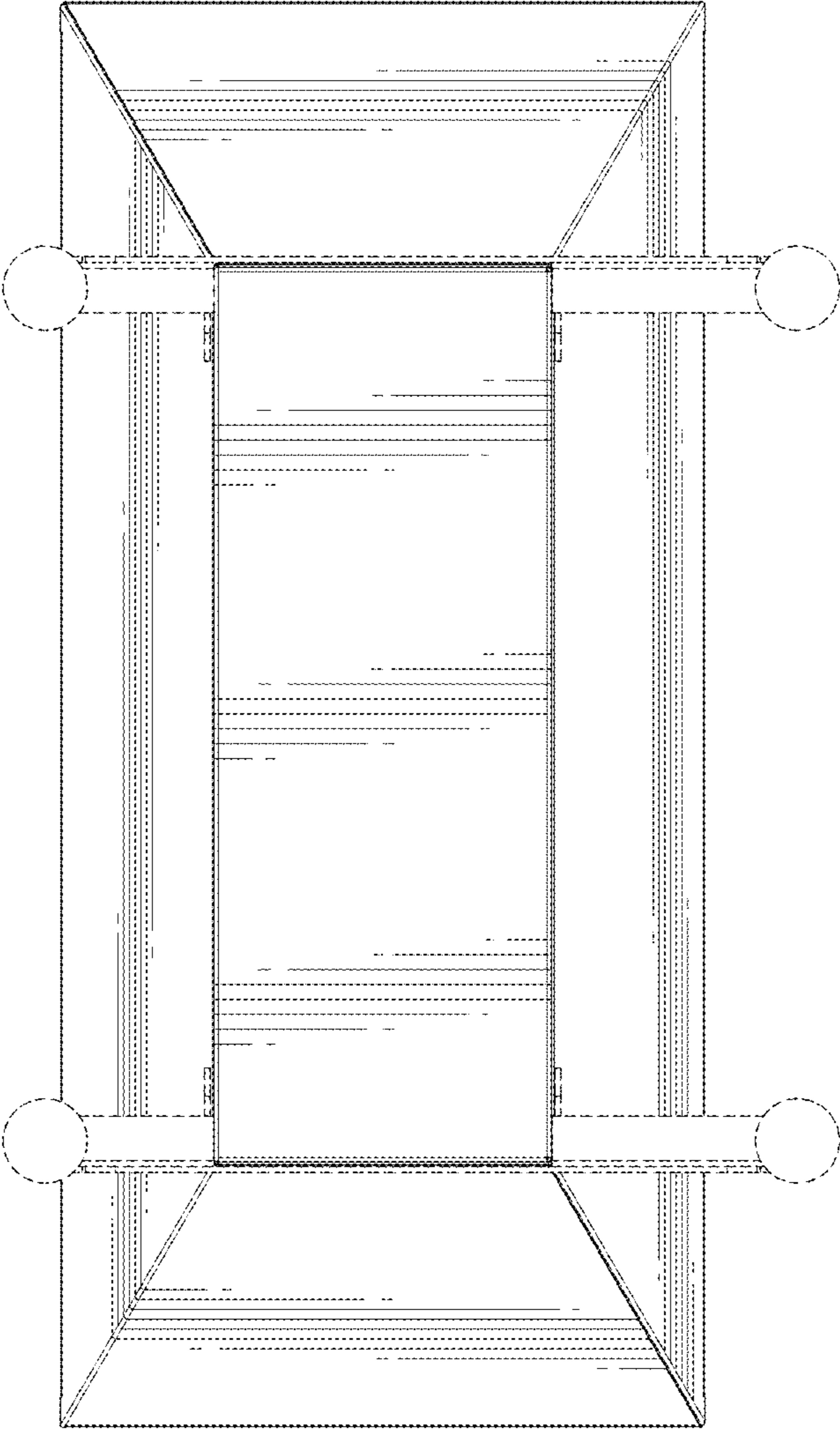


FIG. 7